



US00D727570S

(12) **United States Design Patent**  
**Brett et al.**

(10) **Patent No.:** **US D727,570 S**  
(45) **Date of Patent:** **\*\* Apr. 21, 2015**

- (54) **LIPGUARD**
- (71) Applicant: **Sportsguard Laboratories, Inc.**, Kent, OH (US)
- (72) Inventors: **Daniel J. Brett**, Kent, OH (US); **Rick P. Sepi**, Kent, OH (US)
- (73) Assignee: **Sportsguard Laboratories, Inc.**, Kent, OH (US)
- (\*\*) Term: **14 Years**
- (21) Appl. No.: **29/455,801**
- (22) Filed: **May 24, 2013**
- (51) **LOC (10) Cl.** ..... **29-02**
- (52) **U.S. Cl.**  
USPC ..... **D29/108**
- (58) **Field of Classification Search**  
CPC ..... A61F 5/566; A61F 5/58; A63B 71/08; A63B 71/081; A63B 71/085; A63B 2071/085; A63B 2071/088; A61C 7/08; A61C 7/10; A61C 13/08; A61C 13/081; A61C 13/083; A61C 13/087; A61C 19/066; A61C 5/14; A61B 13/00; A61B 1/24  
USPC ..... D29/100, 105, 106, 108, 122; D24/108-110.5, 156, 176, 181; 128/859, 860, 861, 862, 857, 846, 848; 602/902; 433/6, 18, 24, 168.1; 2/9, 2/424, 425; D21/812  
See application file for complete search history.

(56) **References Cited**  
U.S. PATENT DOCUMENTS

D31,395 S *	8/1899	Geraghty	.....	D29/108
1,483,694 A *	2/1924	Stukey	.....	128/859
2,521,084 A *	9/1950	Oberto	.....	128/206.29
D210,181 S *	2/1968	Solomon	.....	D28/44.2
D215,685 S *	10/1969	Helmer	.....	D29/108
3,485,242 A	12/1969	Greenberg		

3,692,025 A	9/1972	Greenberg		
4,977,905 A	12/1990	Kittelsen et al.		
5,234,005 A	8/1993	Kittelsen et al.		
5,353,810 A	10/1994	Kittelsen et al.		
5,365,946 A	11/1994	McMillan		
5,692,523 A	12/1997	Croll et al.		
5,755,233 A	5/1998	Adell		
D496,498 S	9/2004	Kittelsen et al.		
D554,259 S *	10/2007	Diacopoulos et al.	.....	D24/181
7,353,828 B1	4/2008	Hirshberg		
D593,714 S *	6/2009	Hirshberg	.....	D29/108
D597,675 S *	8/2009	Eli	.....	D24/181
D603,101 S *	10/2009	Hirshberg	.....	D29/108
7,708,018 B1	5/2010	Hirshberg		
D636,074 S *	4/2011	Levine	.....	D24/110.5
D649,252 S *	11/2011	Spainhower	.....	D24/181
D650,133 S *	12/2011	Rascoe, III	.....	D29/108
8,074,658 B2	12/2011	Kittelsen et al.		
D652,575 S *	1/2012	Farrell	.....	D29/108
D655,458 S *	3/2012	Badger et al.	.....	D29/108
D658,813 S *	5/2012	Manzo	.....	D29/108
D663,485 S	7/2012	Turkbas et al.		
D663,486 S	7/2012	Turkbas et al.		
D682,480 S *	5/2013	Hazard et al.	.....	D29/108
8,739,599 B2 *	6/2014	Hennig et al.	.....	73/12.01

(Continued)

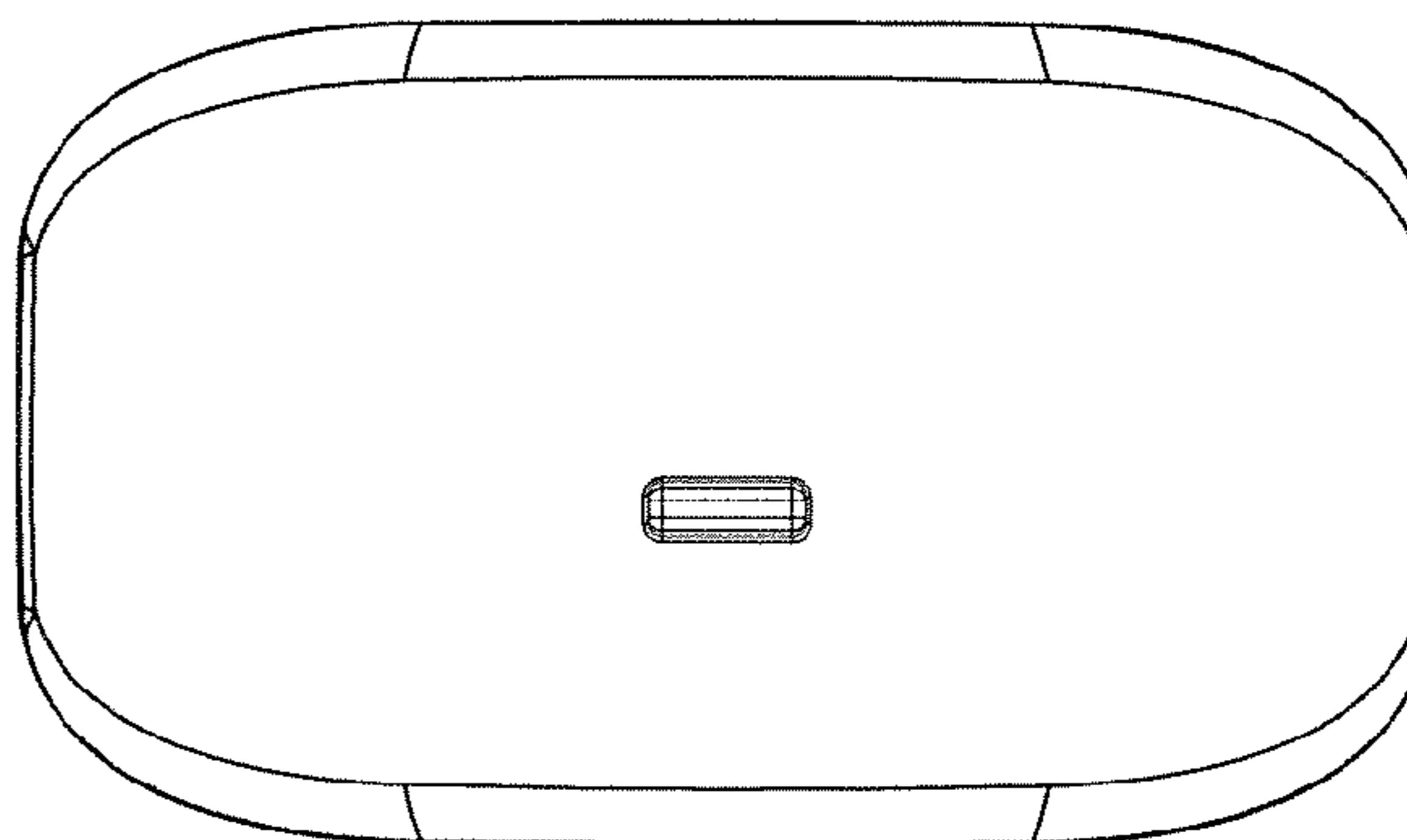
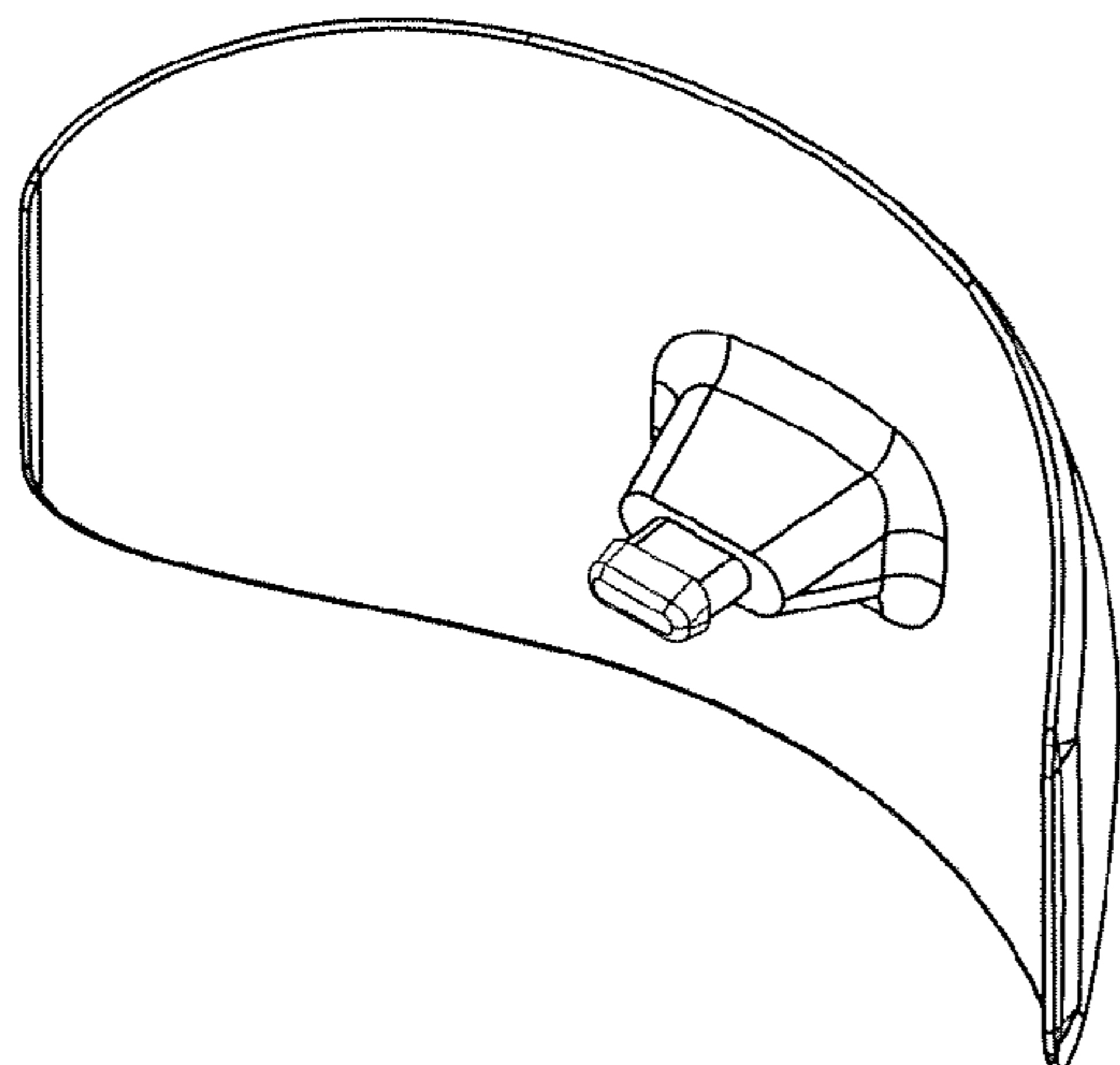
*Primary Examiner* — Elizabeth J Oswecki  
(74) *Attorney, Agent, or Firm* — Hudak, Shunk & Farine Co. LPA

(57) **CLAIM**  
The ornamental design for a lipguard, as shown and described.

**DESCRIPTION**

FIG. 1 is a right, rear perspective view of a lipguard showing our new design;  
FIG. 2 is a front view thereof;  
FIG. 3 is a rear view thereof;  
FIG. 4 is a right side view thereof;  
FIG. 5 is a left side view thereof;  
FIG. 6 is a top view thereof; and,  
FIG. 7 is a bottom view thereof.

**1 Claim, 1 Drawing Sheet**



(56)

**References Cited**

U.S. PATENT DOCUMENTS

8,739,600 B2 \* 6/2014 Hennig et al. .... 73/12.01  
2006/0084024 A1 \* 4/2006 Farrell ..... 433/6  
2007/0254256 A1 \* 11/2007 Farrell ..... 433/6

2010/0051038 A1 \* 3/2010 Quigless ..... 128/861  
2010/0196837 A1 \* 8/2010 Farrell ..... 433/6  
2012/0111343 A1 5/2012 Turkbash et al.  
2012/0279506 A1 11/2012 Thompson et al.

\* cited by examiner

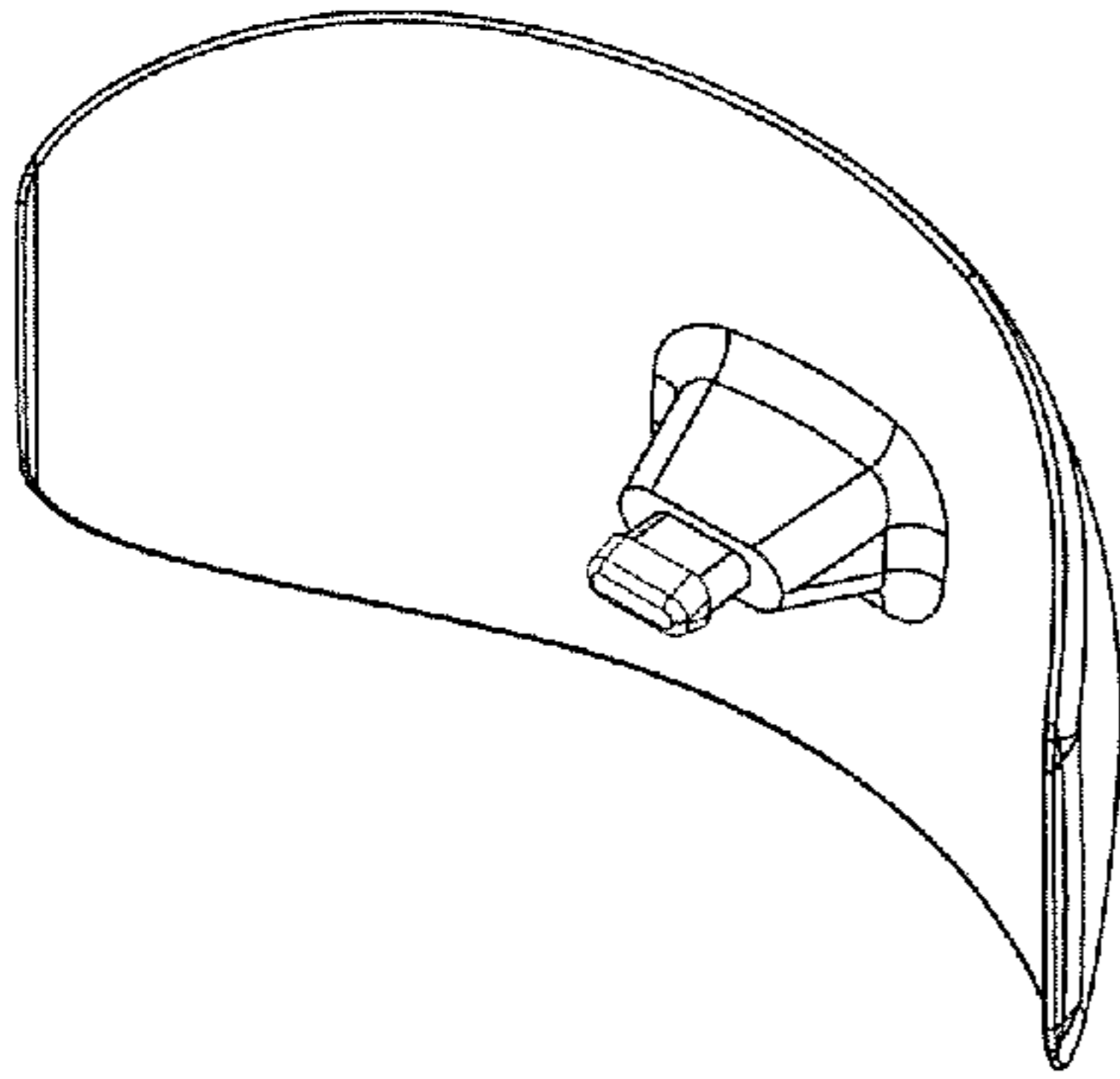


FIG. 1

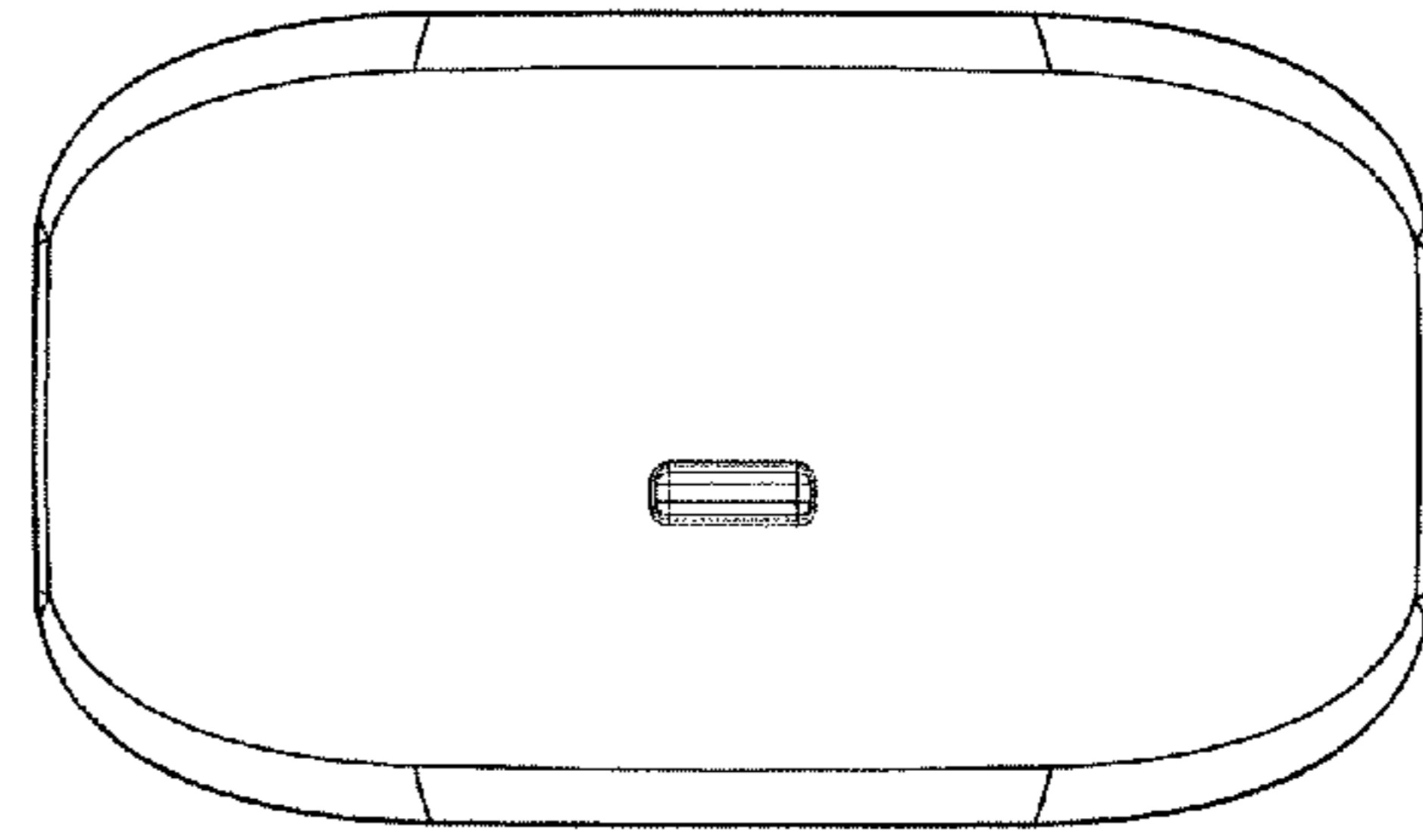


FIG. 2

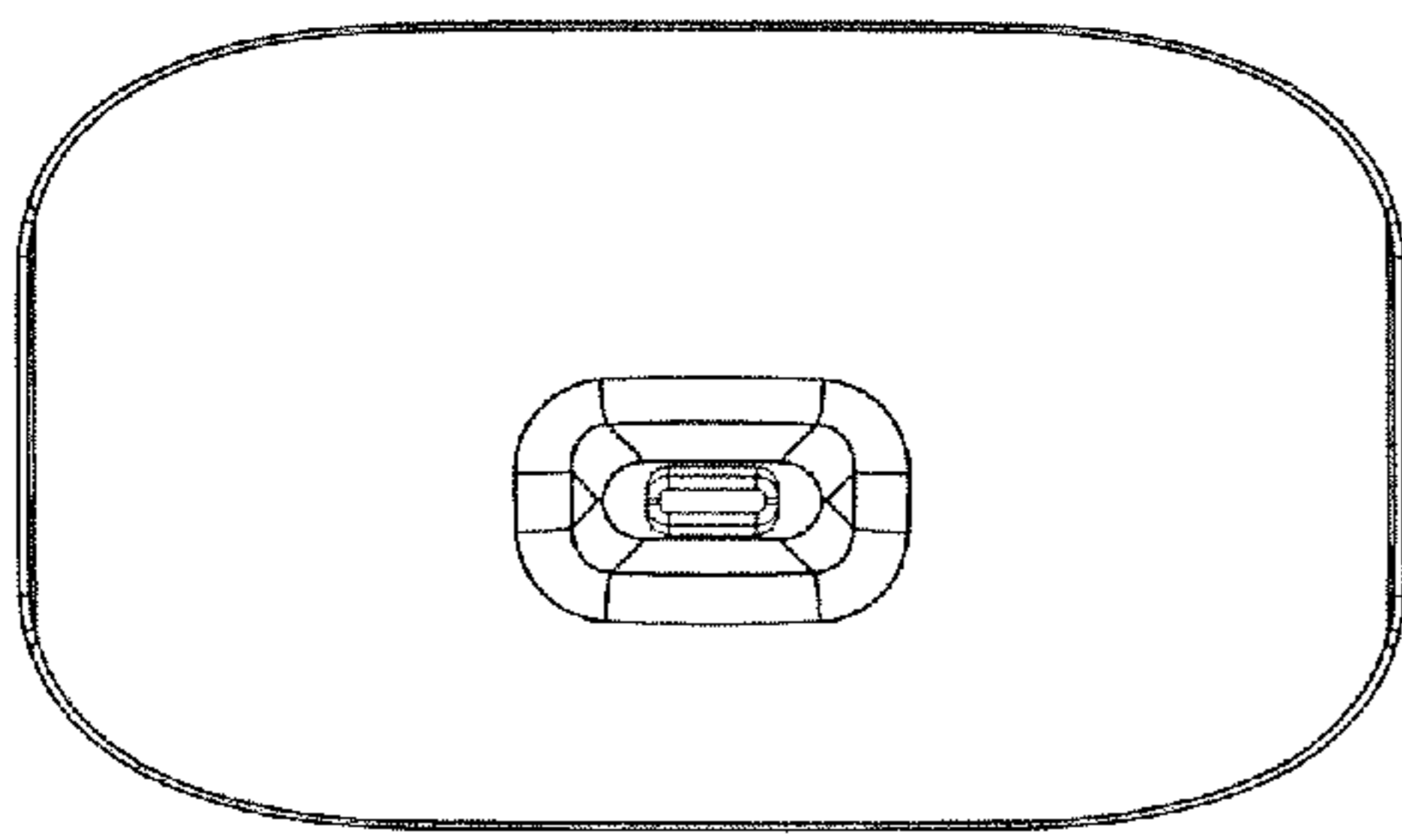


FIG. 3

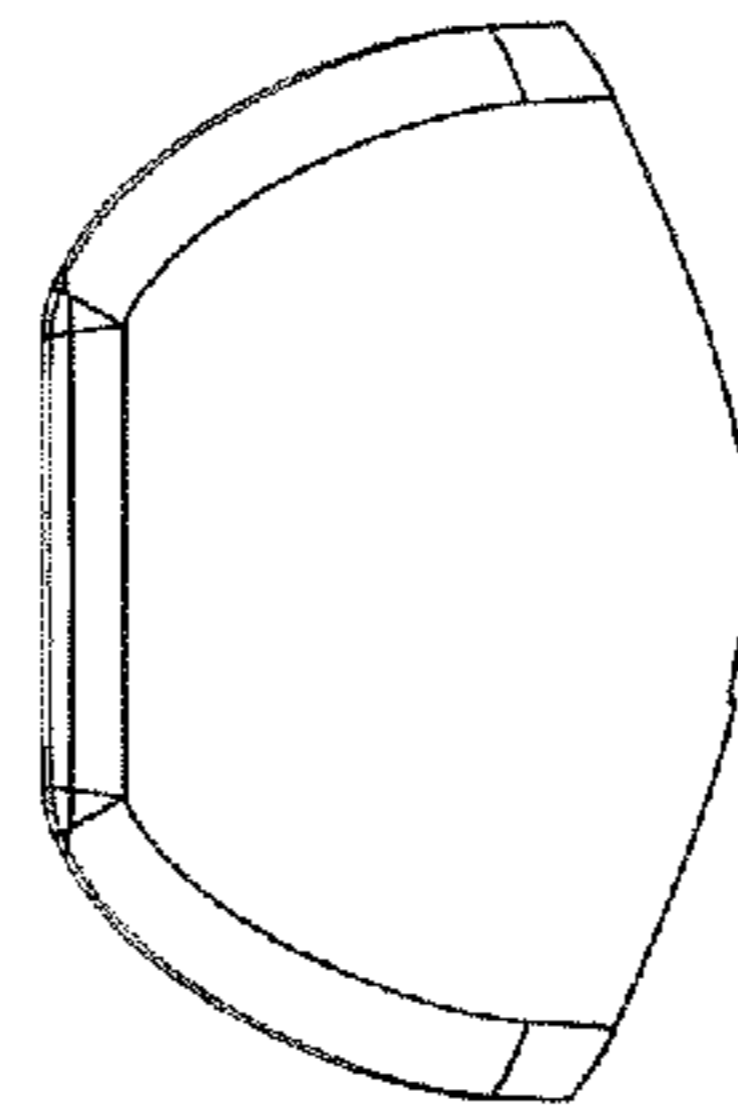


FIG. 4

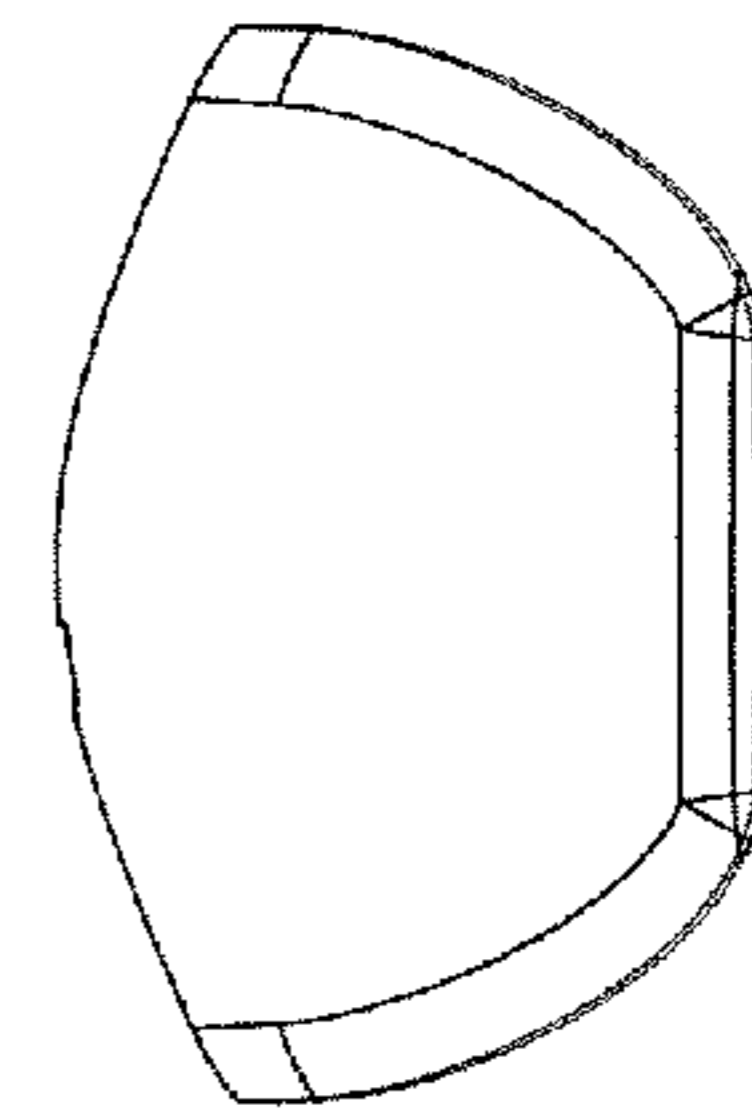


FIG. 5

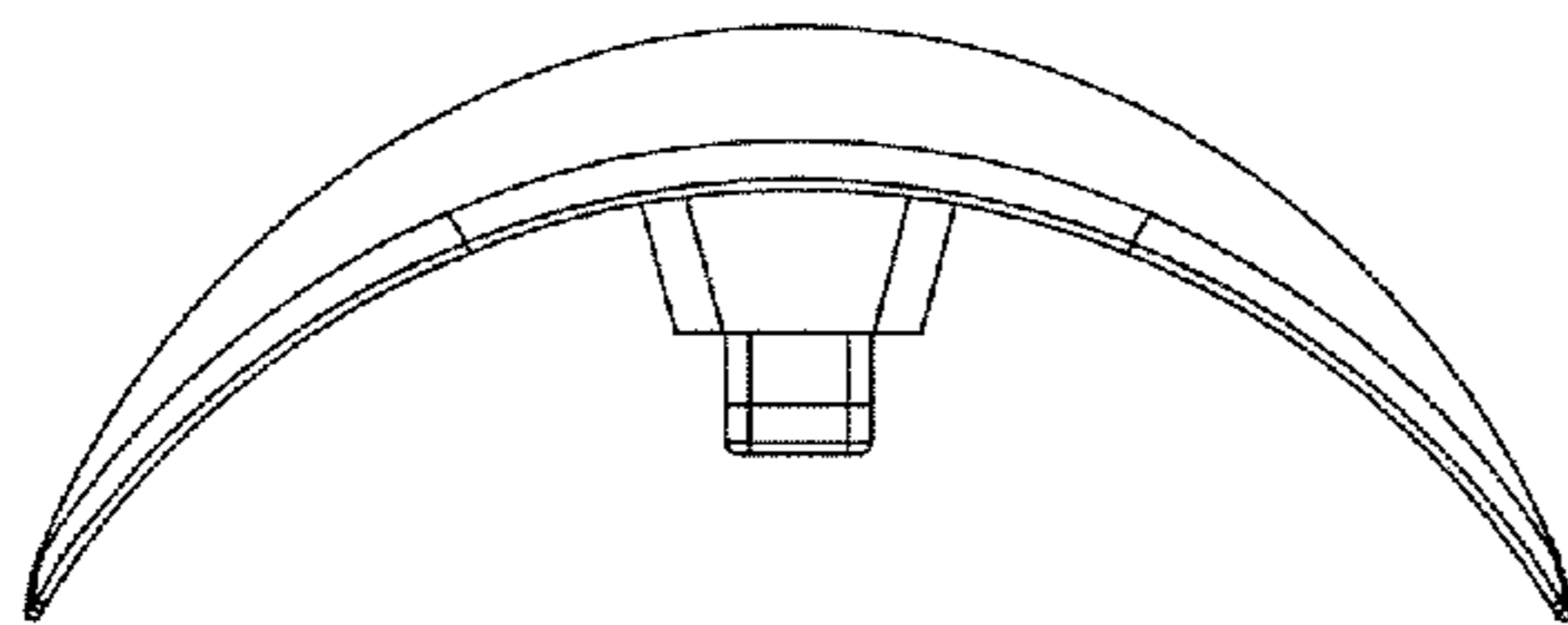


FIG. 6

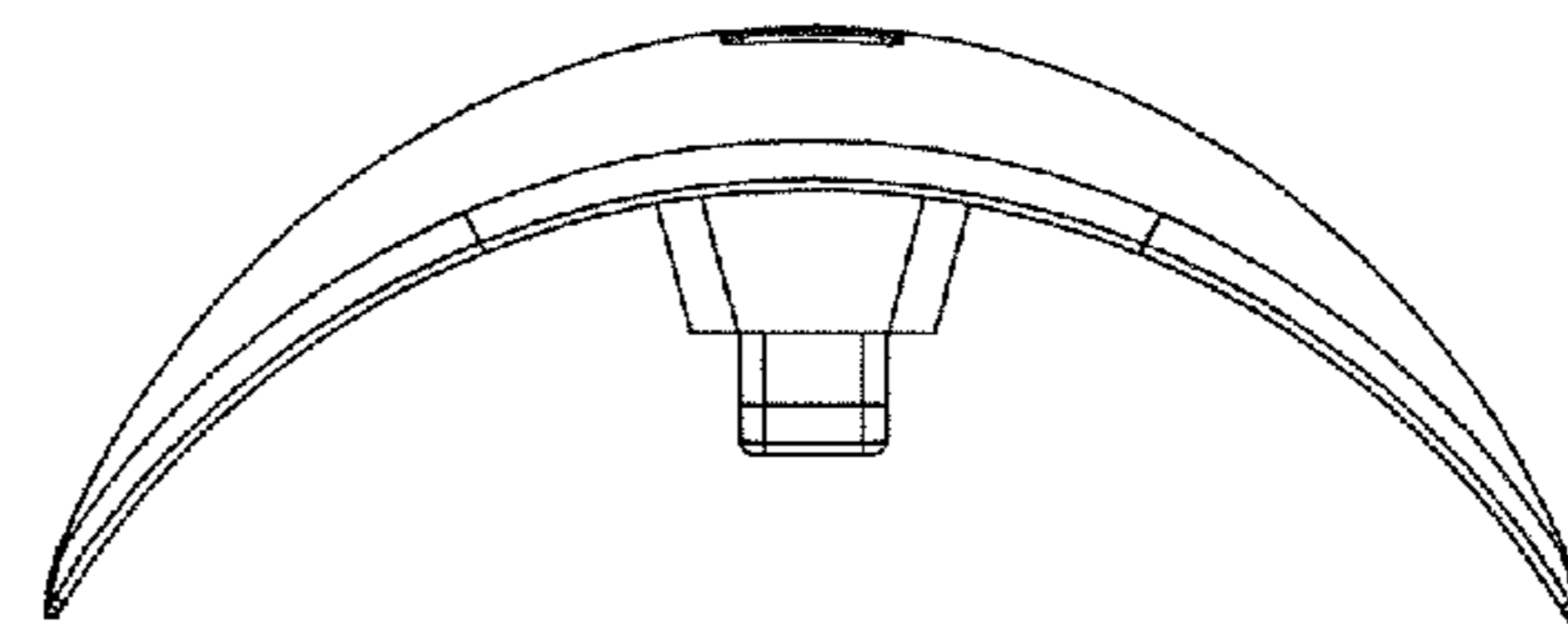


FIG. 7