



US00D727568S

(12) **United States Design Patent**  
**Francois**

(10) **Patent No.:** **US D727,568 S**  
(45) **Date of Patent:** **\*\* Apr. 21, 2015**

(54) **HAIR HEATING TOOL**

FOREIGN PATENT DOCUMENTS

(71) Applicant: **Francette Francois**, Salisbury, MD (US)

EP 1472951 A1 \* 11/2004 ..... A45D 1/10

(72) Inventor: **Francette Francois**, Salisbury, MD (US)

\* cited by examiner

(\*\*) Term: **14 Years**

*Primary Examiner* — Jennifer Rivard

(21) Appl. No.: **29/464,294**

(74) *Attorney, Agent, or Firm* — Gulf Coast Intellectual Property Group

(22) Filed: **Aug. 15, 2013**

(57) **CLAIM**

(51) **LOC (10) Cl.** ..... **28-03**

The ornamental design for a hair heating tool, as shown and described.

(52) **U.S. Cl.**

USPC ..... **D28/10**

(58) **Field of Classification Search**

**DESCRIPTION**

CPC ..... A45D 1/00–1/28; A45D 2/00–2/002

USPC ..... 219/222–226; D28/13, 15, 35–38

See application file for complete search history.

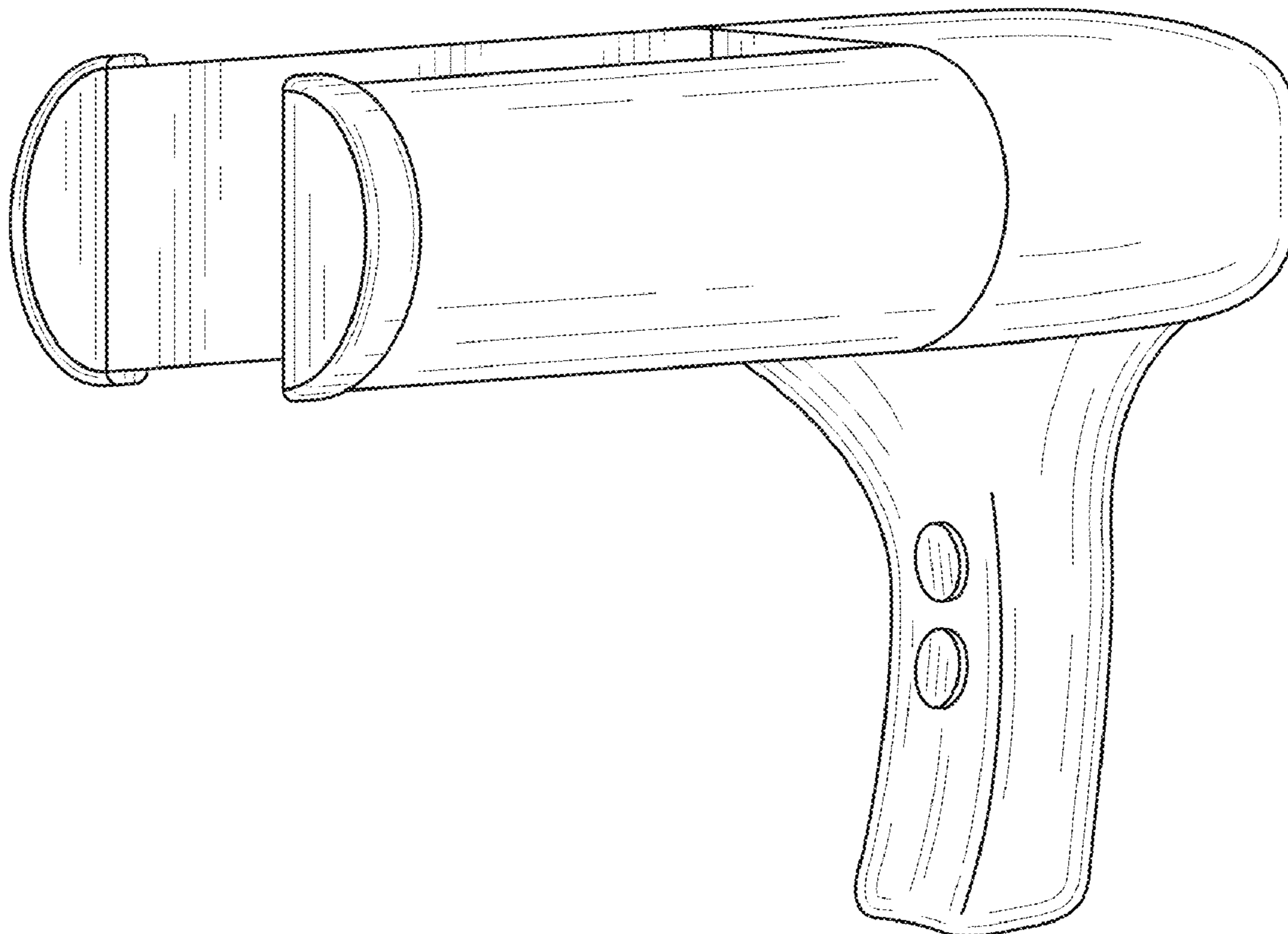
FIG. 1 is a perspective view of the present invention with the heating elements in the open position; and  
FIG. 2 is a front view of the present invention with the heating elements in the open position; and  
FIG. 3 is a rear view of the present invention; and  
FIG. 4 is a left side view of the present invention; and  
FIG. 5 is a right side view of the present invention; and  
FIG. 6 is a top view of the present invention with the heating elements in the open position.

(56) **References Cited**

U.S. PATENT DOCUMENTS

D512,180	S	*	11/2005	Maletti	.....	D28/35
D536,828	S	*	2/2007	Chin	.....	D28/35
2004/0251245	A1	*	12/2004	Oh	.....	219/225
2010/0224206	A1	*	9/2010	Serresvives et al.	.....	132/212
2011/0079238	A1	*	4/2011	Takehana	.....	132/269

**1 Claim, 3 Drawing Sheets**



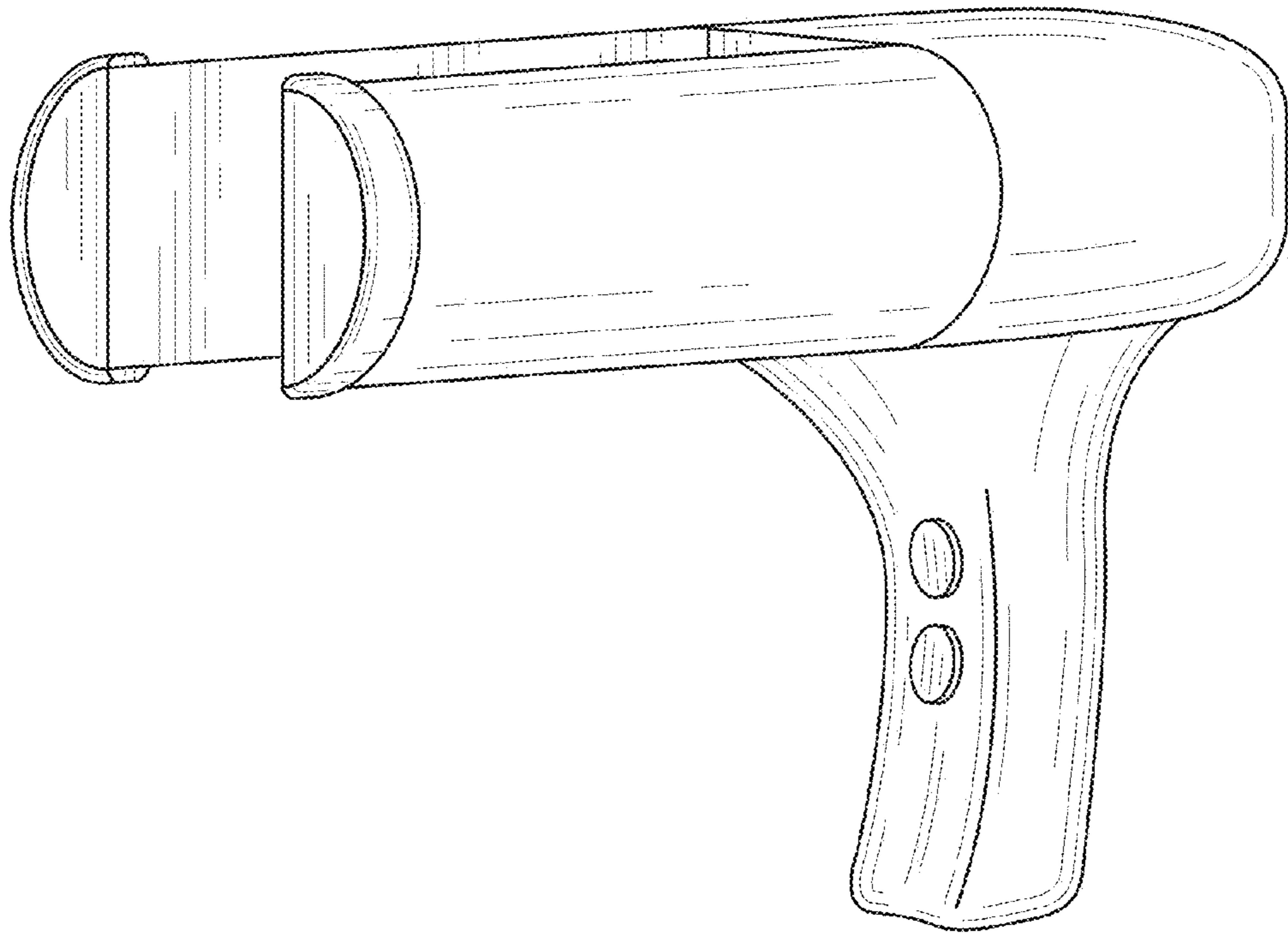


FIG. 1

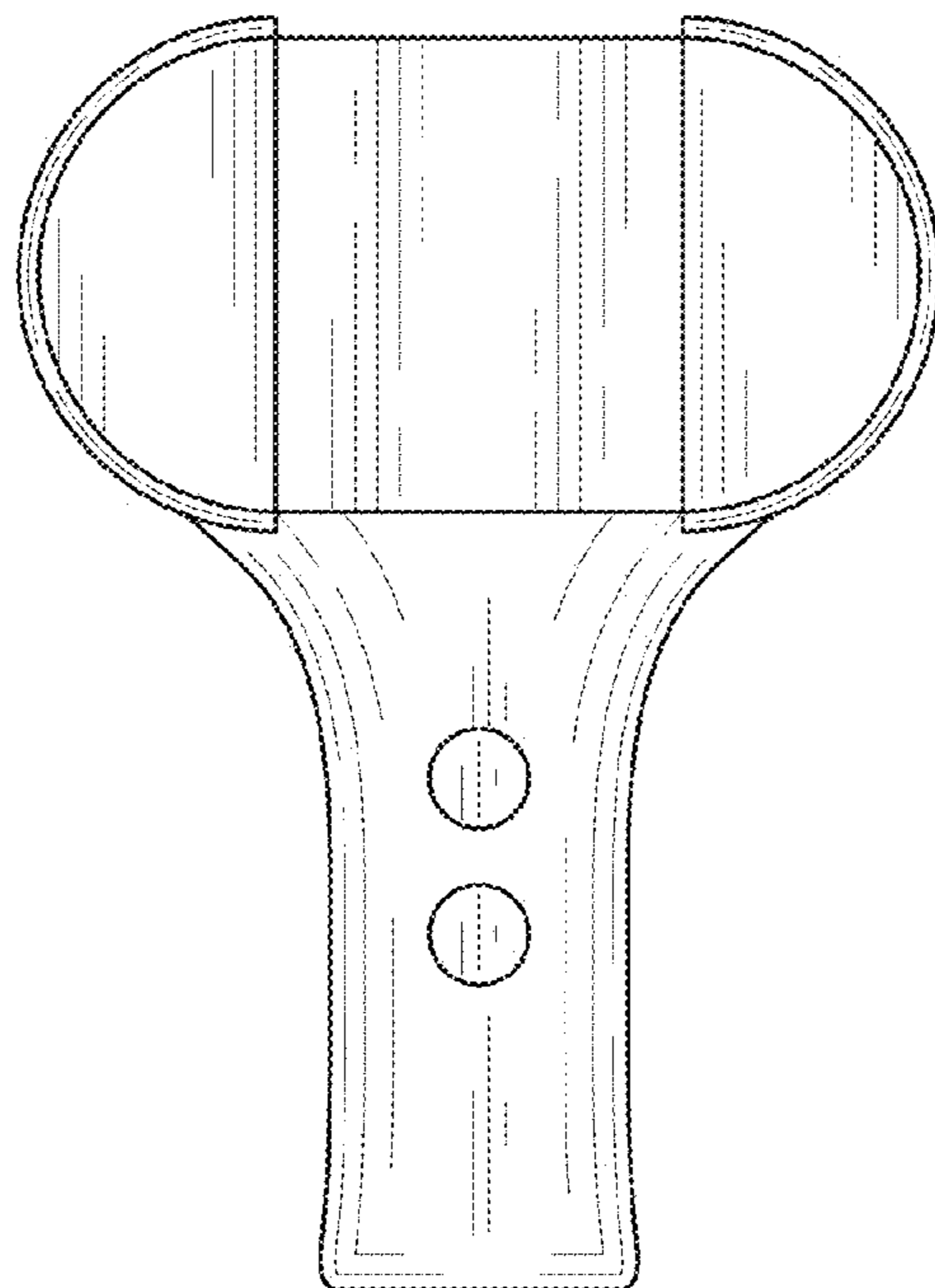
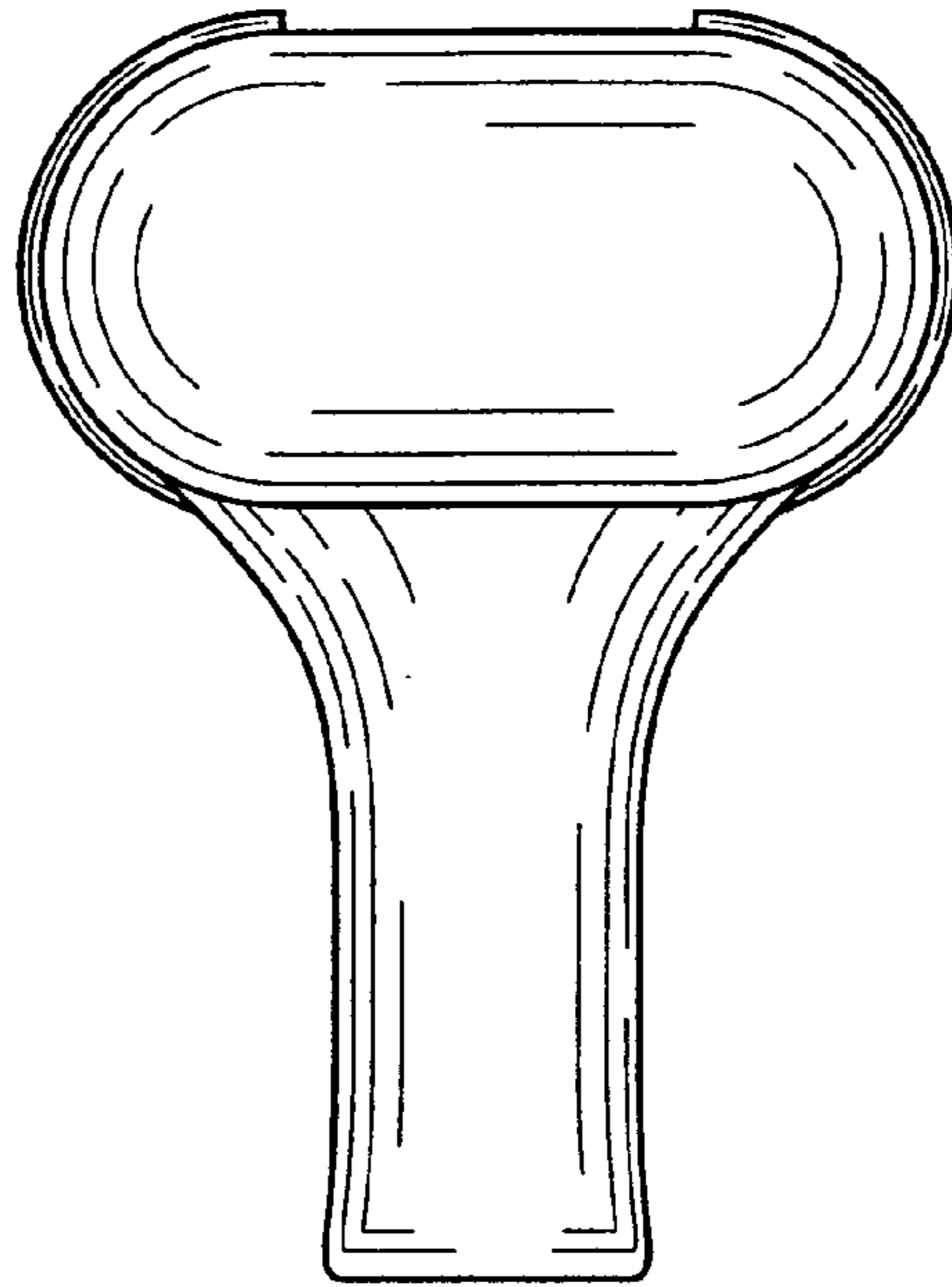
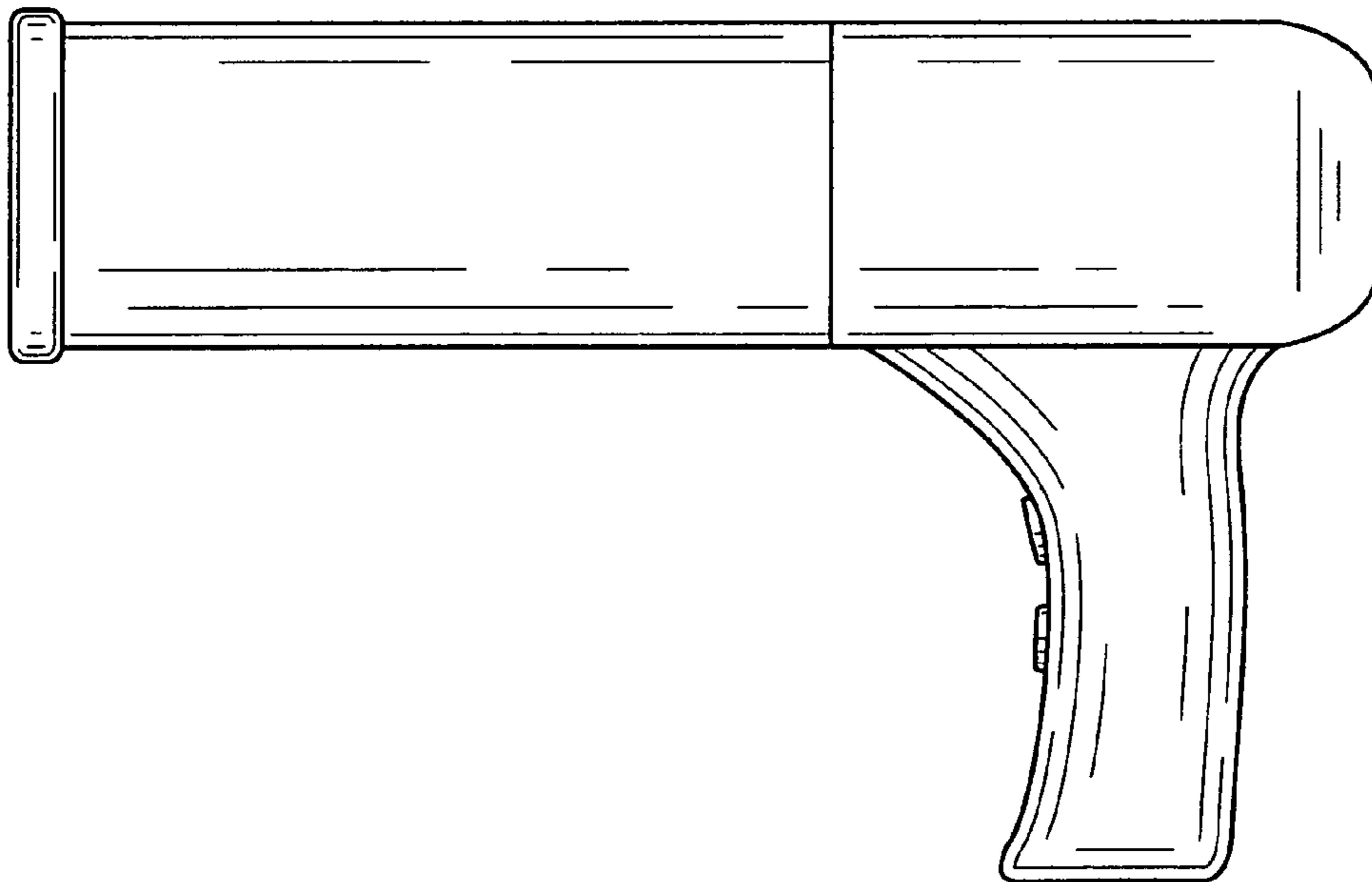


FIG. 2



**FIG. 3**



**FIG. 4**

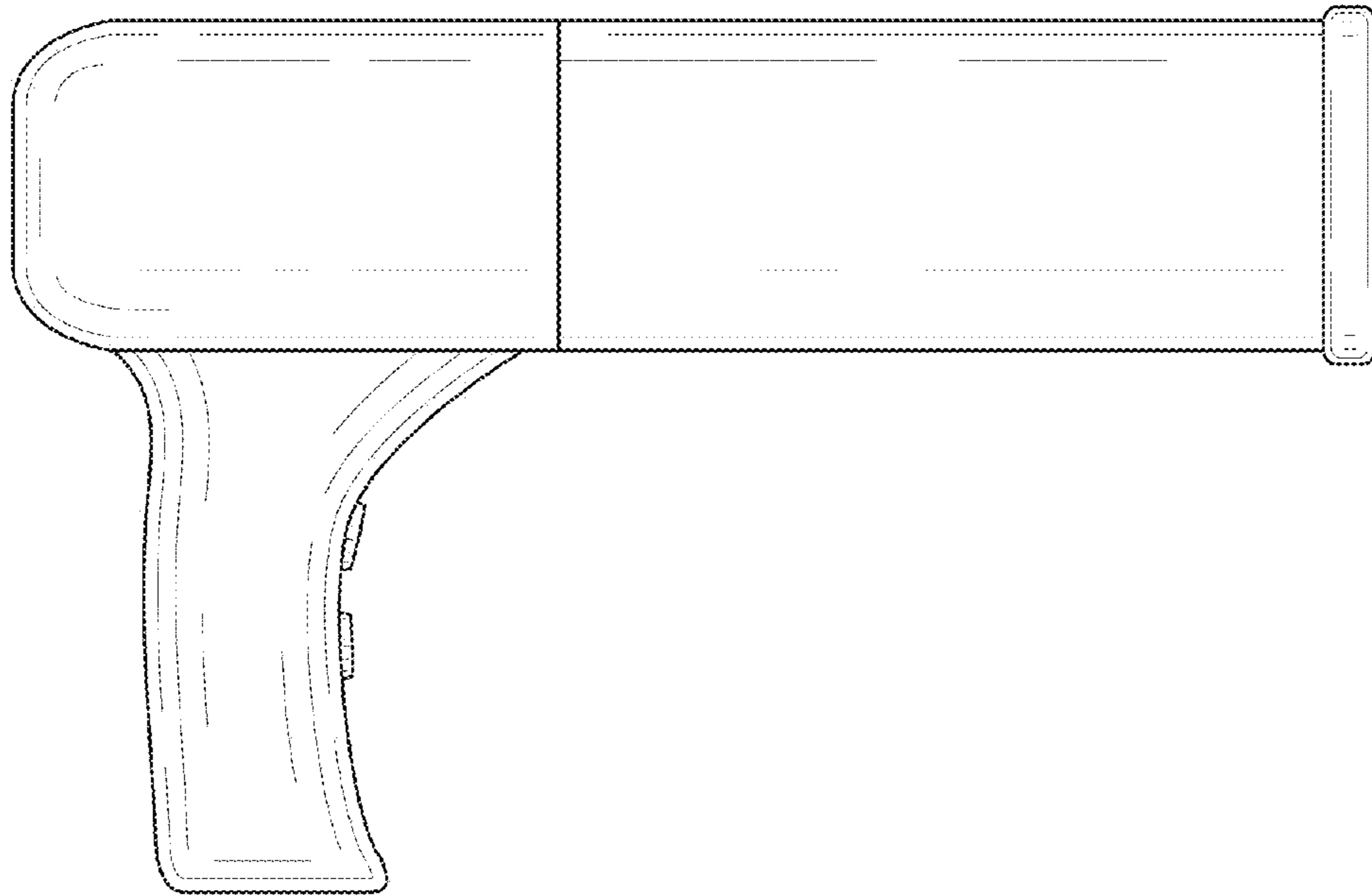


FIG. 5

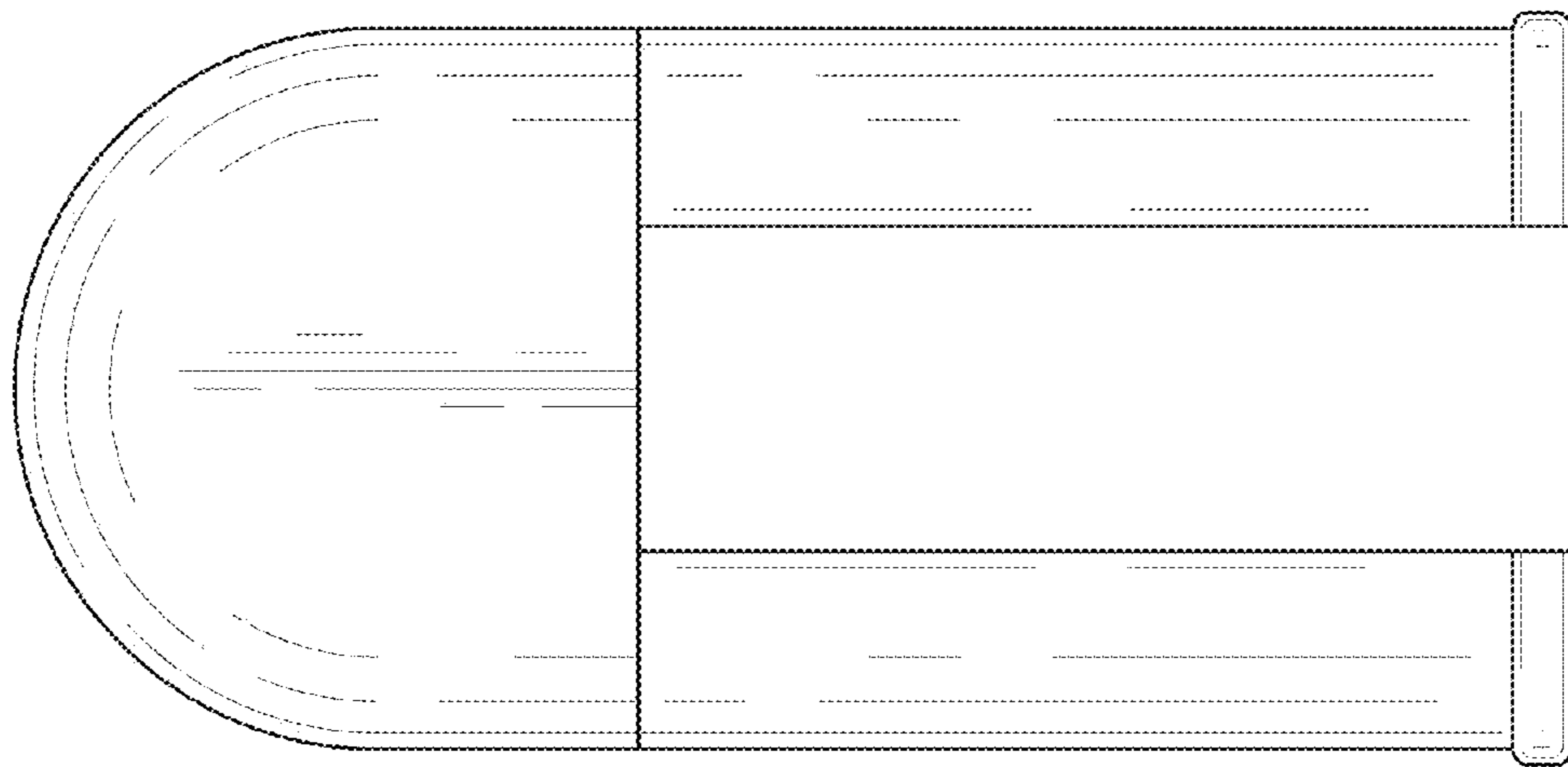


FIG. 6