



US00D727561S

(12) **United States Design Patent**
Beaven

(10) **Patent No.:** **US D727,561 S**
(45) **Date of Patent:** **** Apr. 21, 2015**

- (54) **LENS FOR A VEHICLE**
- (71) Applicant: **Jaguar Cars Limited**, Coventry (GB)
- (72) Inventor: **Matthew Beaven**, Coventry (GB)
- (73) Assignee: **Jaguar Land Rover Limited** (GB)
- (**) Term: **14 Years**
- (21) Appl. No.: **29/442,129**
- (22) Filed: **Dec. 14, 2012**

Related U.S. Application Data

- (63) Continuation-in-part of application No. 29/431,982, filed on Sep. 12, 2012, now Pat. No. Des. 704,101, and a continuation-in-part of application No. 29/432,031, filed on Sep. 12, 2012, now Pat. No. Des. 703,846.
- (51) **LOC (10) Cl.** **26-99**
- (52) **U.S. Cl.**
USPC **D26/139**
- (58) **Field of Classification Search**
USPC D26/28-36, 139; 362/459-468,
362/475-478, 485-487
See application file for complete search history.

References Cited

U.S. PATENT DOCUMENTS

D538,956 S *	3/2007	Ishii	D26/28
D544,614 S *	6/2007	Markefka	D26/28
D561,358 S *	2/2008	Tachibana	D26/28
D570,007 S *	5/2008	Hsu	D26/28
D582,587 S *	12/2008	Yang	D26/28
D690,852 S *	10/2013	Cooney	D26/28

* cited by examiner

Primary Examiner — Marcus Jackson
(74) *Attorney, Agent, or Firm* — Rader, Fishman & Grauer PLLC

(57) **CLAIM**
The ornamental design for a lens for a vehicle, as shown and described.

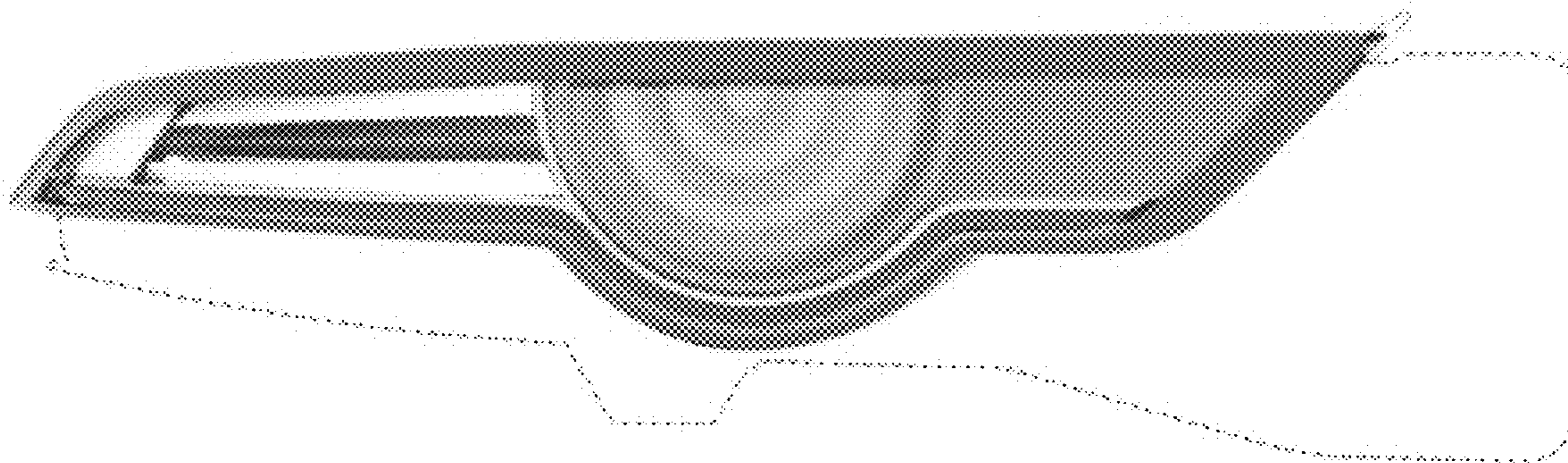
DESCRIPTION

The patent or application file contains at least one drawing executed in color. Copies of this patent or patent application publication with color drawings will be provided by the Office upon request and payment of the necessary fee.

FIG. 1 is a front view of a lens for a vehicle in color;
 FIG. 2 is a left side view of the lens for a vehicle in color;
 FIG. 3 is a supplemental left side view of the lens for a vehicle in color;
 FIG. 4 is a right side view of the lens for a vehicle in color;
 FIG. 5 is a supplemental right side view of the lens for a vehicle in color;
 FIG. 6 is a top view of the lens for a vehicle in color;
 FIG. 7 is a front view of a lens for a vehicle;
 FIG. 8 is a left side view of the lens for a vehicle;
 FIG. 9 is a supplemental left side view of the lens for a vehicle;
 FIG. 10 is a right side view of the lens for a vehicle;
 FIG. 11 is a supplemental right side view of the lens for a vehicle; and,
 FIG. 12 is a top view of the lens for a vehicle.

Portions of FIGS. 1-12 that are shown as broken lines are for illustrative purpose only and form no part of the claimed design.

1 Claim, 6 Drawing Sheets
(3 of 6 Drawing Sheet(s) Filed in Color)



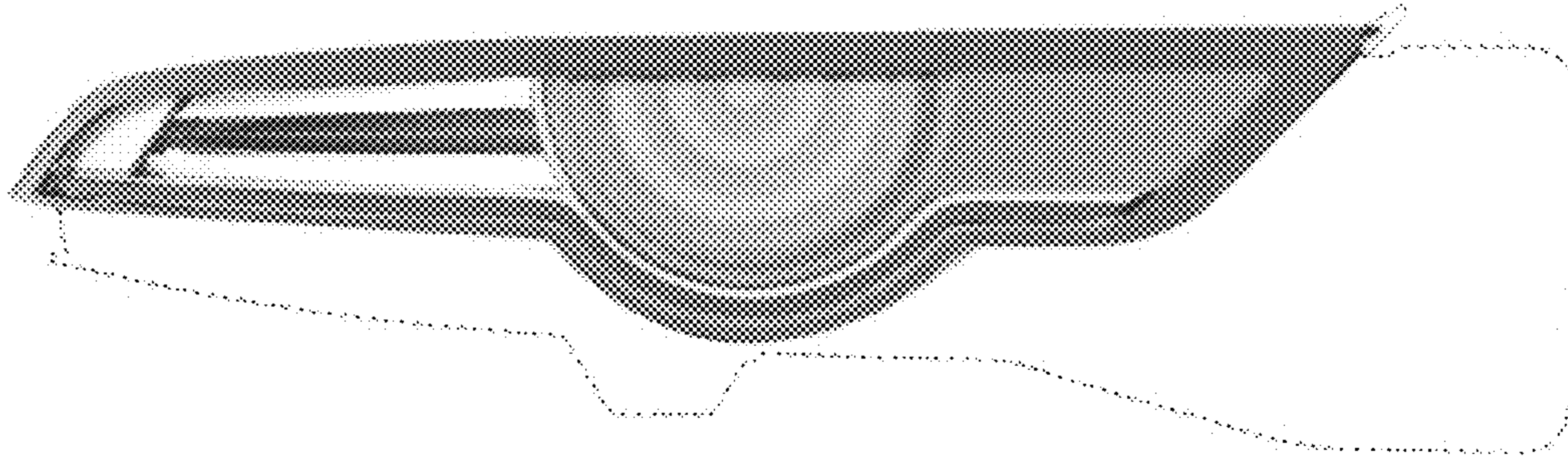


FIG. 1

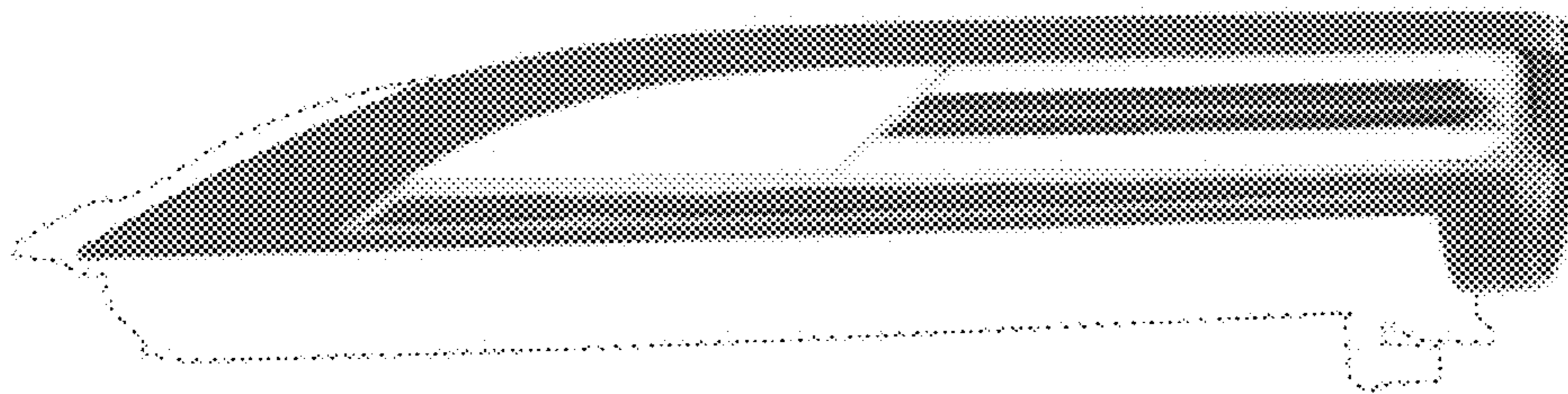


FIG. 2

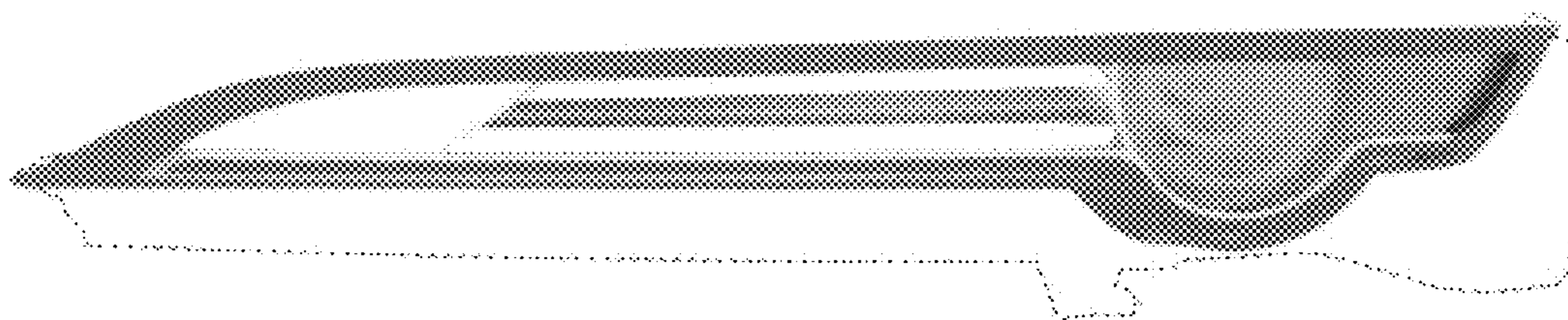


FIG. 3

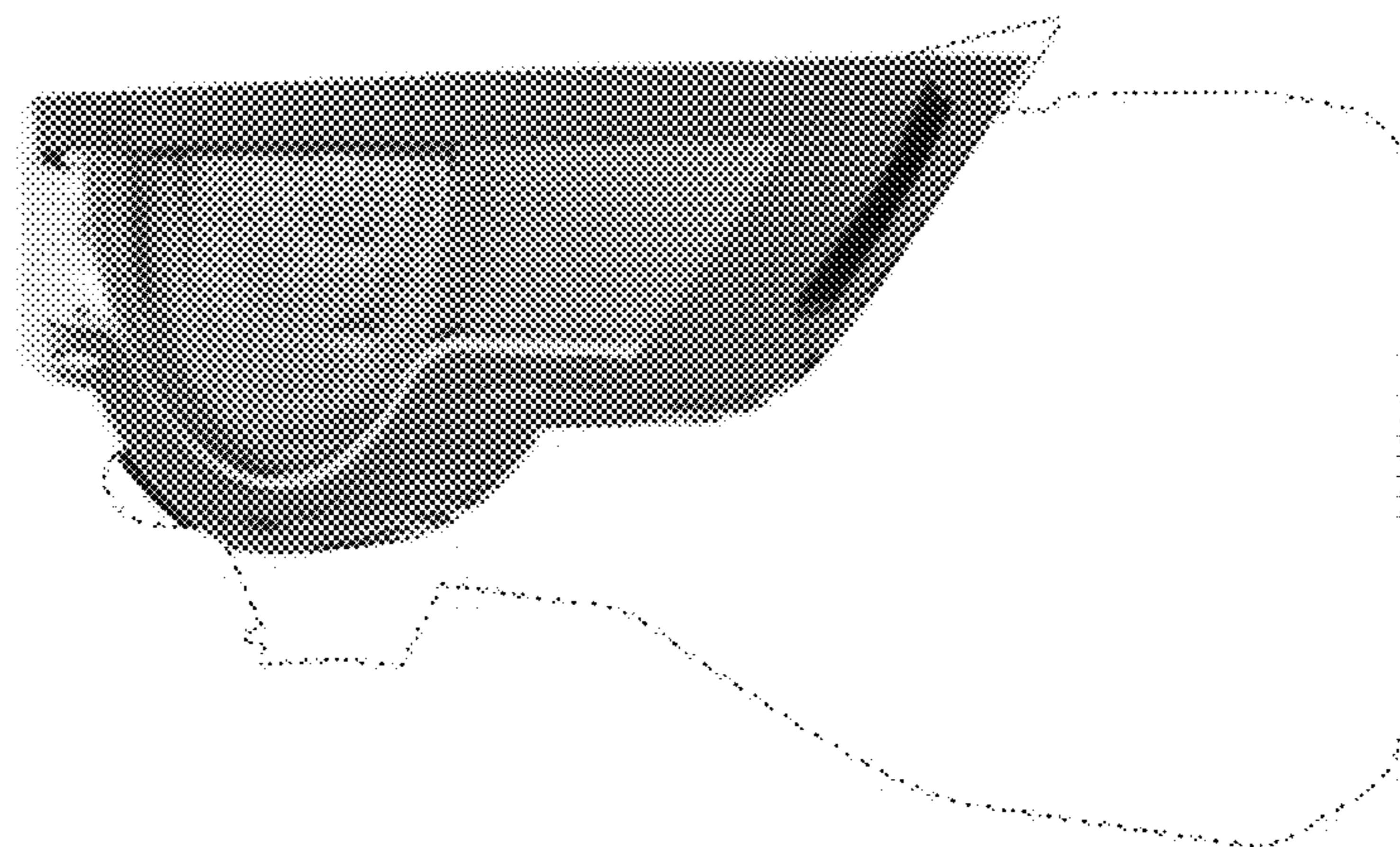


FIG. 4

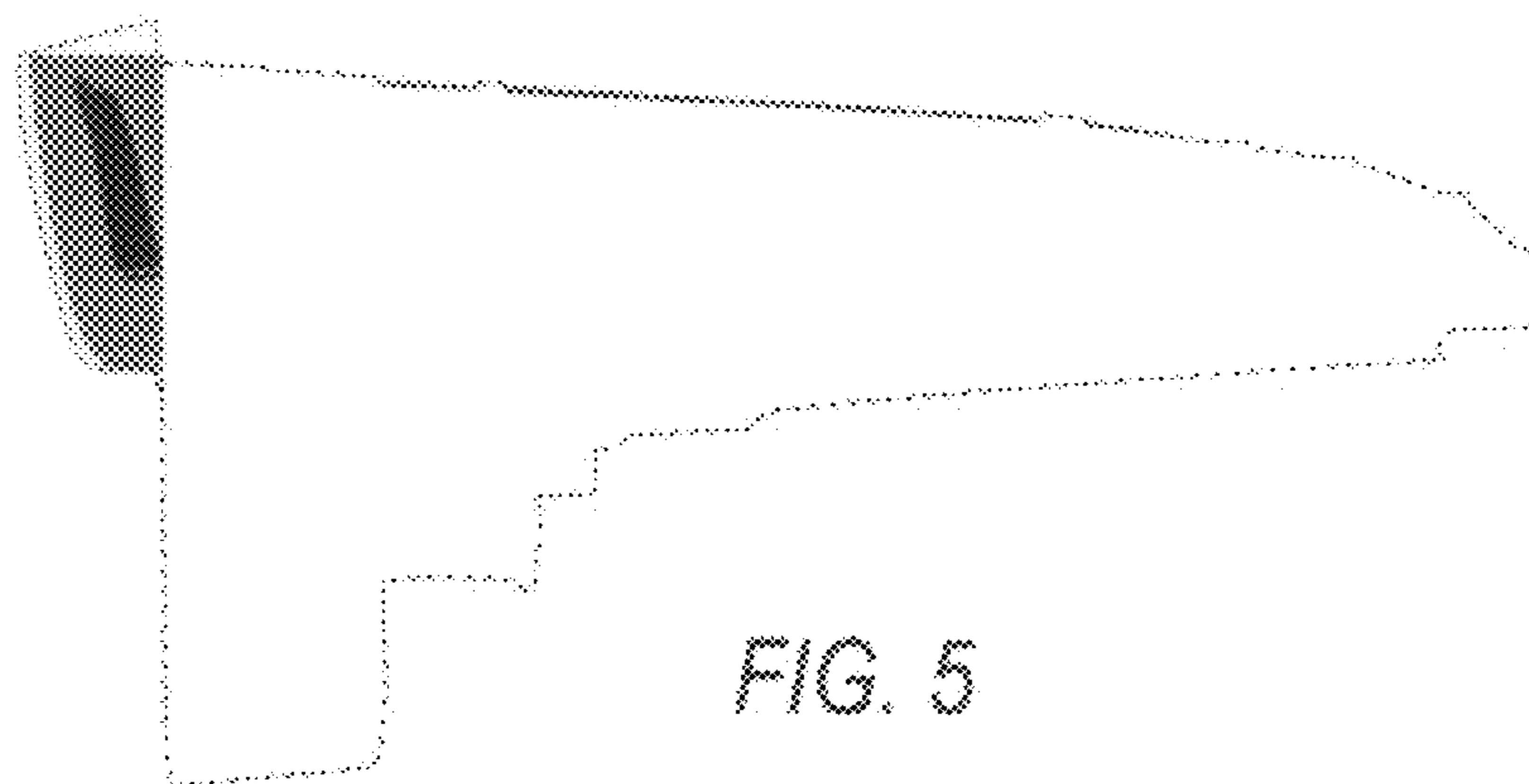


FIG. 5

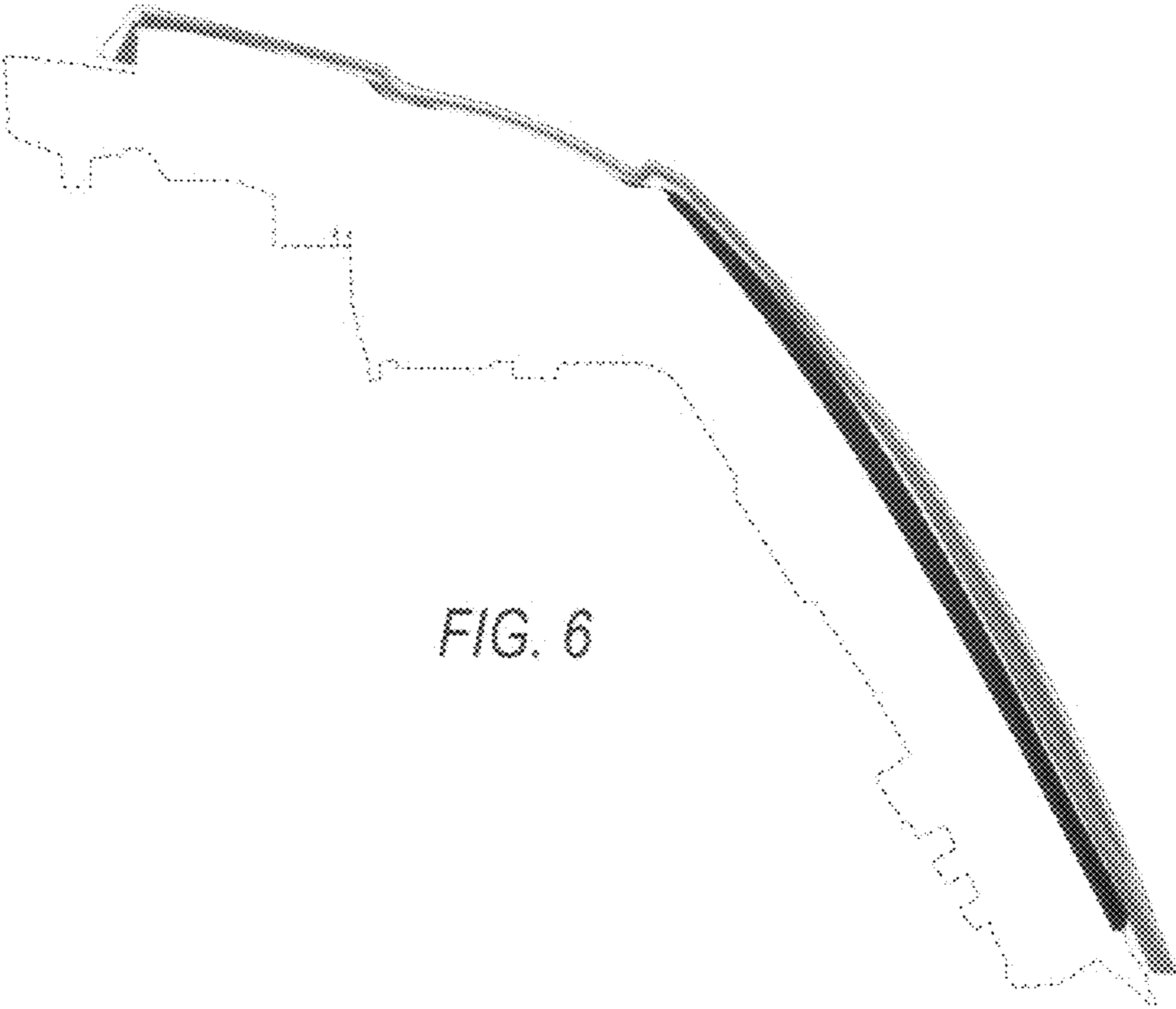


FIG. 6

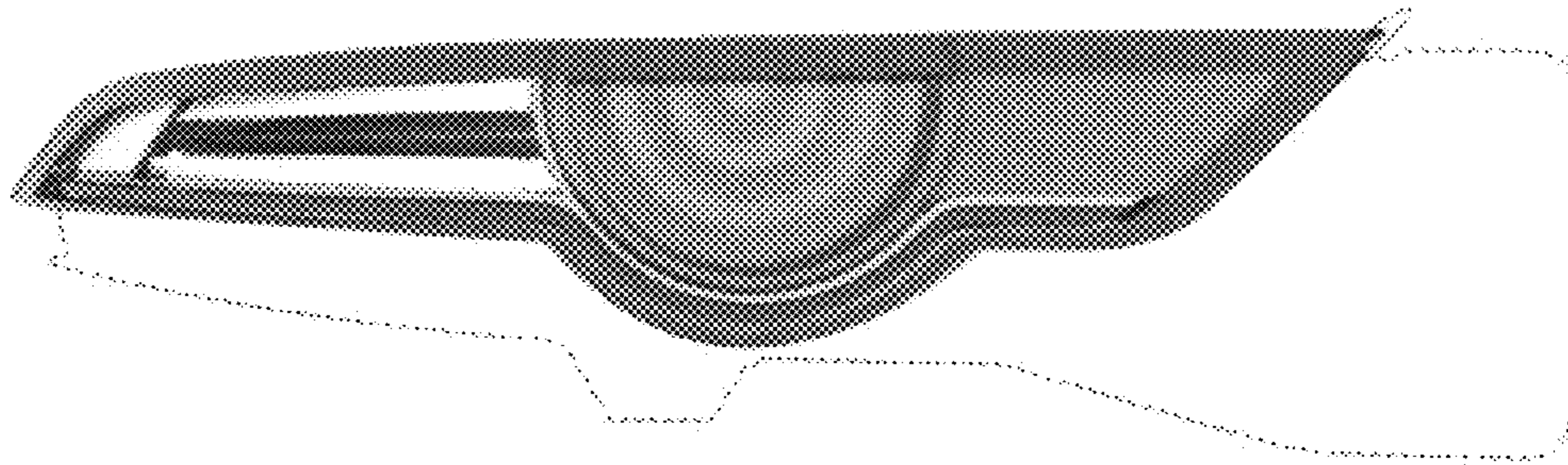


FIG. 7

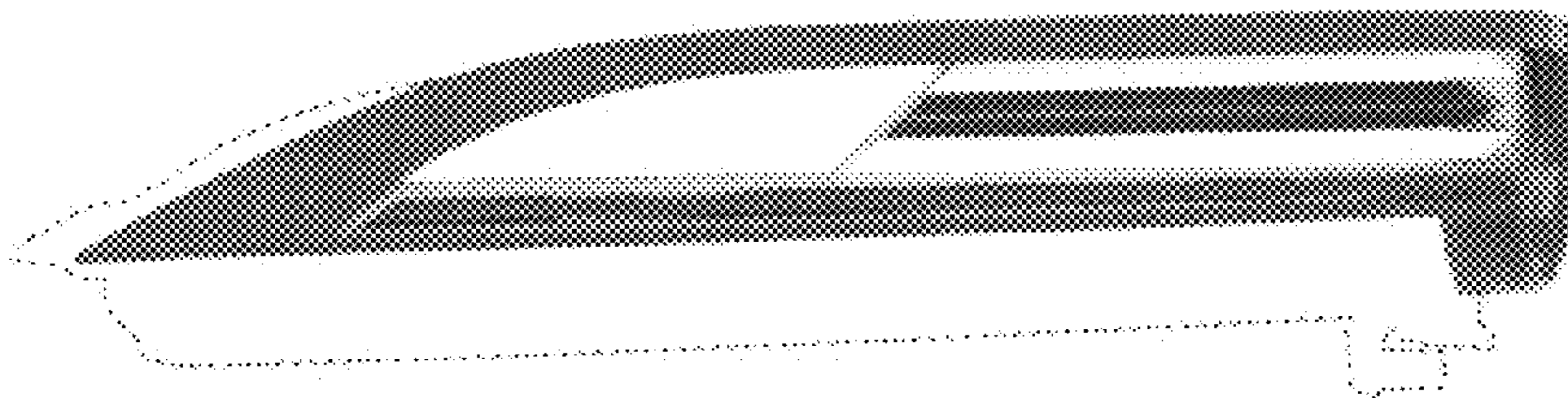


FIG. 8

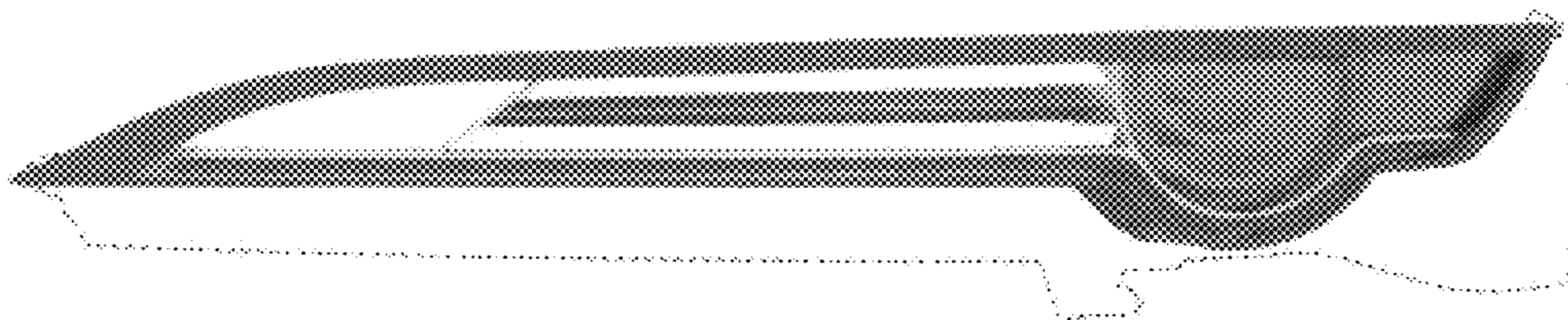


FIG. 9

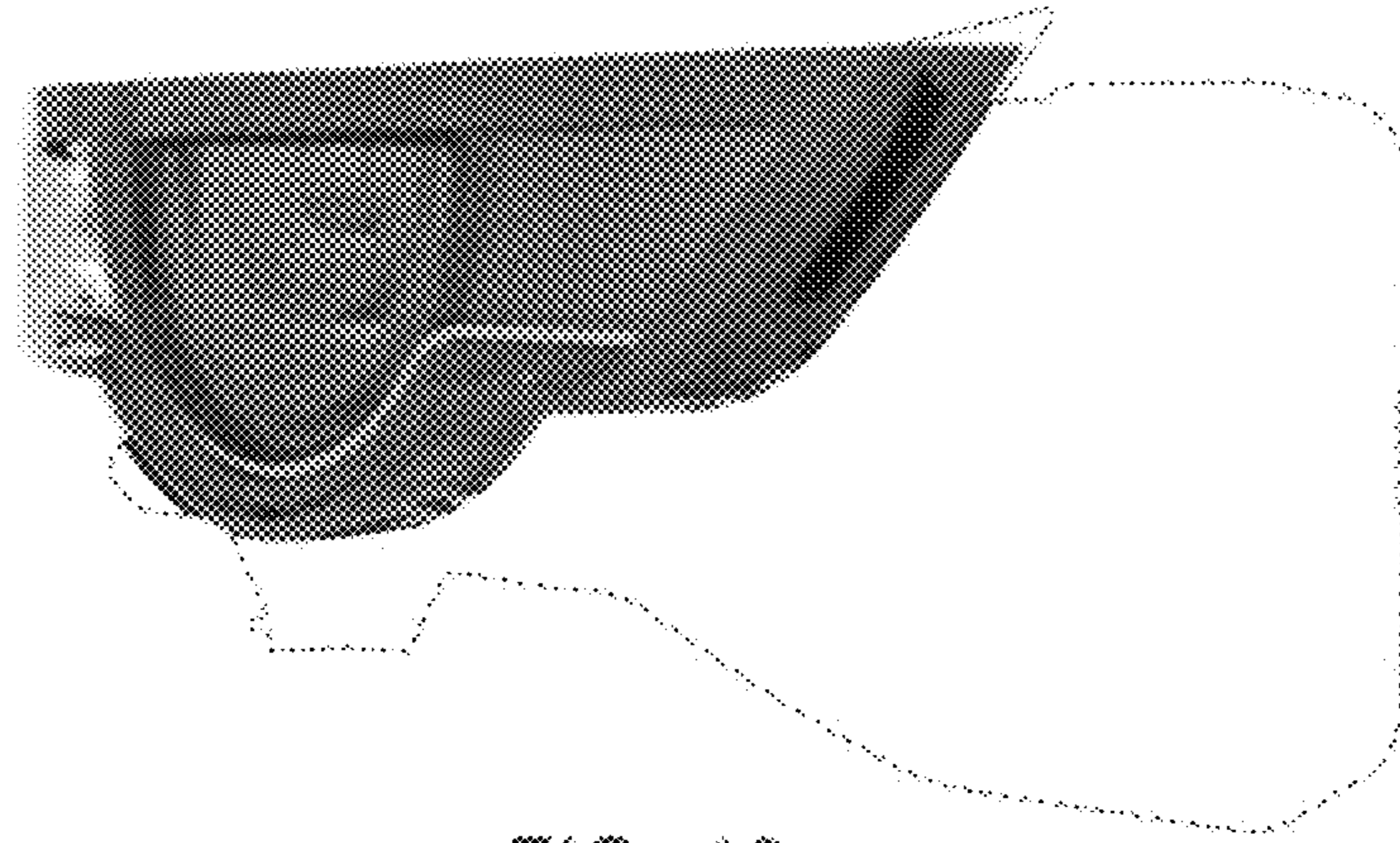


FIG. 10

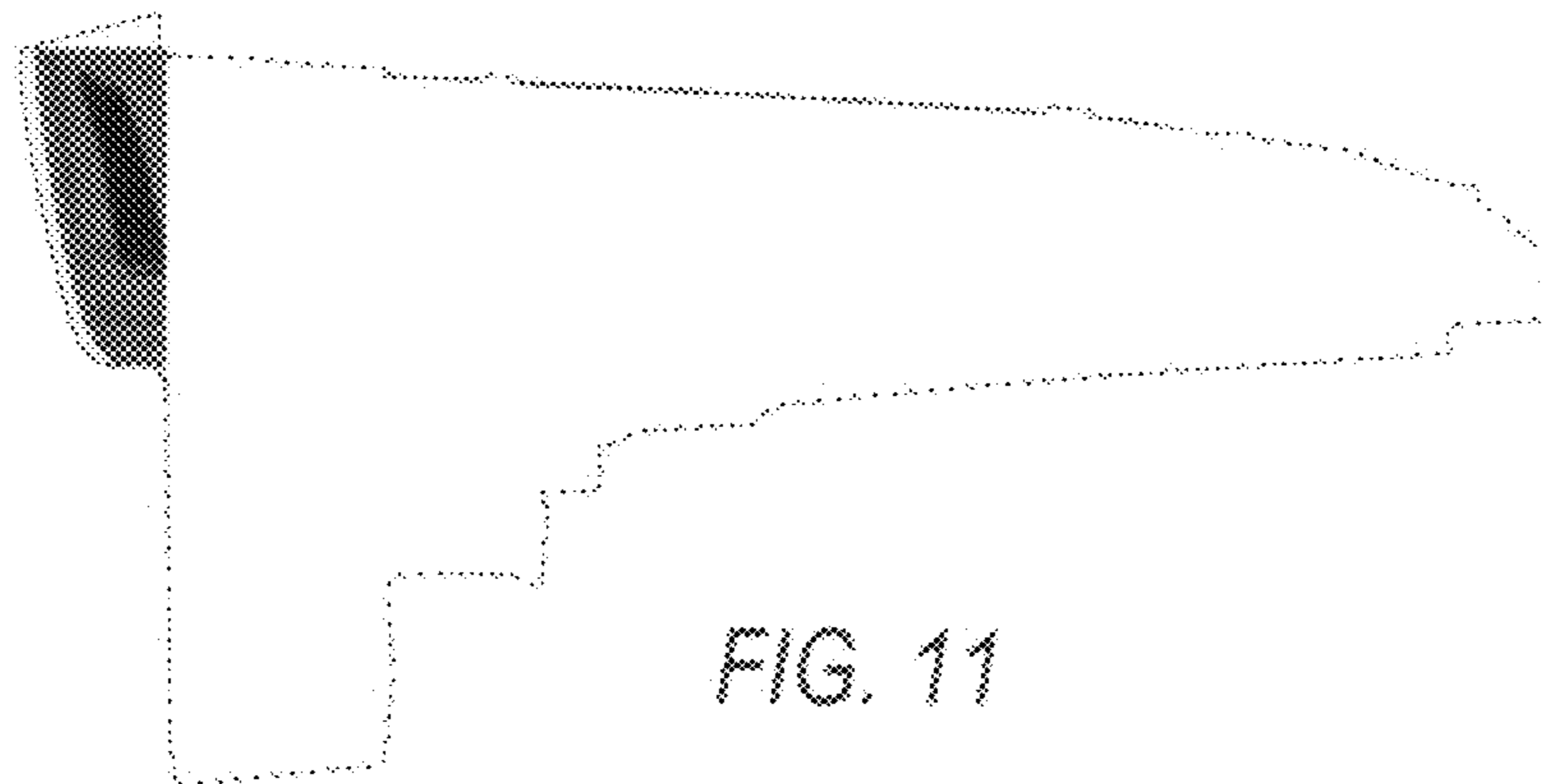


FIG. 11

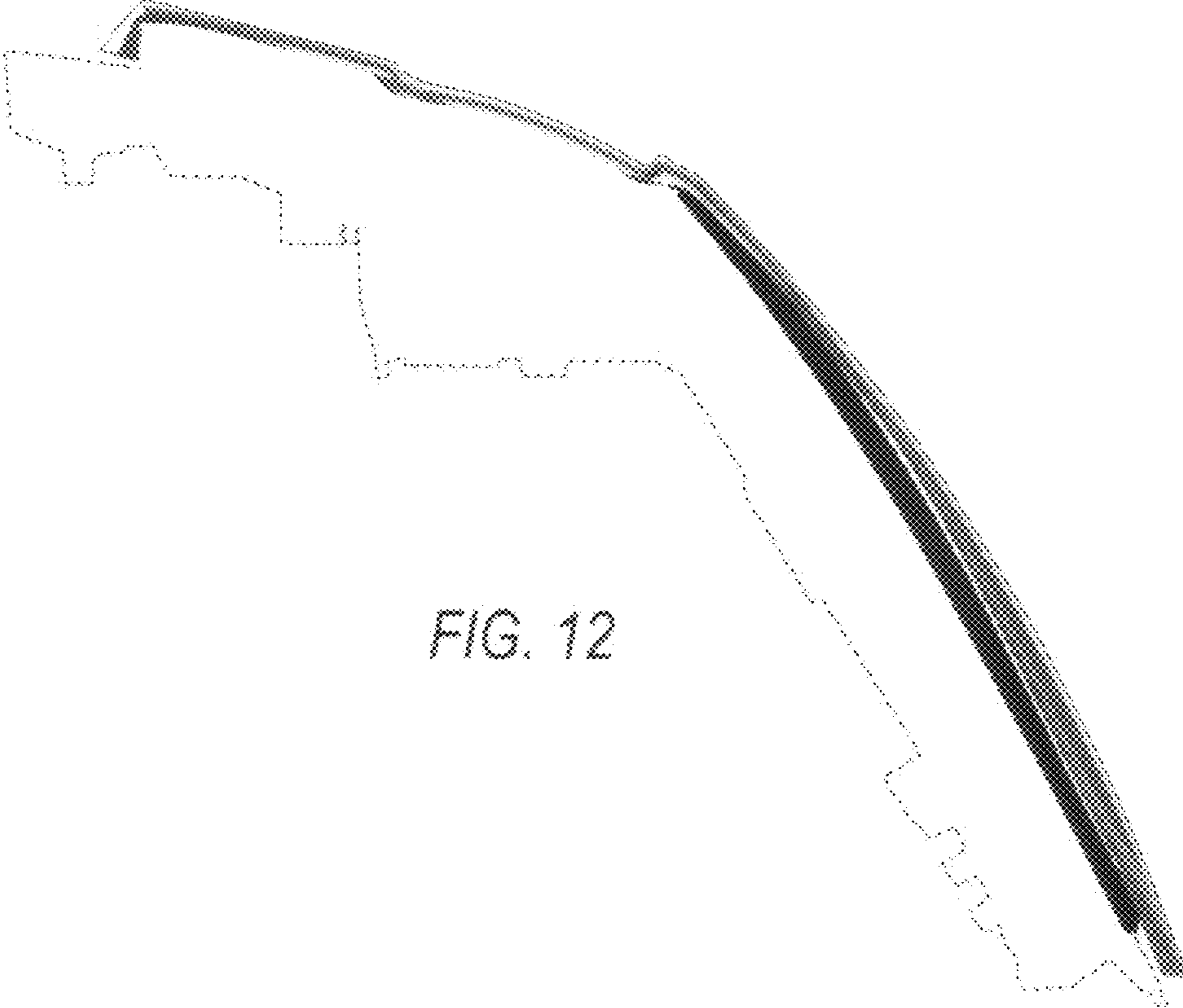


FIG. 12