



US00D727559S

(12) **United States Design Patent**
Chen

(10) **Patent No.:** **US D727,559 S**

(45) **Date of Patent:** **** Apr. 21, 2015**

(54) **LED LAMP**

(71) Applicant: **Wei-Hung Chen**, Taichung (TW)

(72) Inventor: **Wei-Hung Chen**, Taichung (TW)

(**) Term: **14 Years**

(21) Appl. No.: **29/492,227**

(22) Filed: **May 29, 2014**

(30) **Foreign Application Priority Data**

Apr. 17, 2014 (TW) 103302238

(51) **LOC (10) Cl.** **26-99**

(52) **U.S. Cl.**
USPC **D26/122**

(58) **Field of Classification Search**
USPC D26/9, 10, 12, 13, 15, 16, 51, 61, 72,
D26/76, 80, 81, 85, 86, 88, 90, 113, 118,
D26/119, 120, 122, 128, 129, 138, 143,
D26/144; D13/180; D10/93, 114
See application file for complete search history.

(56) **References Cited**

U.S. PATENT DOCUMENTS

3,131,871	A *	5/1964	Foulds	362/146
3,404,268	A *	10/1968	Fowler	362/382
3,436,537	A *	4/1969	Bostonian	362/219
D246,930	S *	1/1978	Win	D26/152
4,842,962	A *	6/1989	Bass	429/515
5,093,767	A *	3/1992	Burn	362/145
5,412,552	A *	5/1995	Fernandes	362/249.01
5,658,066	A *	8/1997	Hirsch	362/219
D384,178	S *	9/1997	Costa	D26/76
D389,460	S *	1/1998	Wei-Hong	D13/155
D421,815	S *	3/2000	Herst et al.	D26/76
6,042,955	A *	3/2000	Okamoto	429/413
D438,326	S *	2/2001	Kan	D26/76
D520,172	S *	5/2006	Engel	D26/76
D543,305	S *	5/2007	Wang	D26/60
7,234,840	B2 *	6/2007	Agabekov et al.	362/249.06

D565,785	S *	4/2008	Kerr	D26/113
D575,898	S *	8/2008	Tran et al.	D26/113
D616,382	S *	5/2010	Lin et al.	D13/179
D634,470	S *	3/2011	Hsieh	D26/118
7,901,105	B2 *	3/2011	Fowler et al.	362/217.15
7,926,985	B2 *	4/2011	Teng et al.	362/373
D642,326	S *	7/2011	Leadford et al.	D26/138
D660,508	S *	5/2012	Kong et al.	D26/141
8,186,847	B2 *	5/2012	Hu et al.	362/225
D682,455	S *	5/2013	Apetauer et al.	D26/74

(Continued)

OTHER PUBLICATIONS

PDS-O Series O-Shape Aluminum LED LED Strip Profile Housing
PDS-O for Led Strips, image post date Sep. 29, 2009, site visited Oct.
10, 2014, (online), <http://www.ledflood-lighting.com/china-pds_o_series_o_shape_aluminum_led_led_strip_profile_housing_pds_o_for_led_strips-1043874.html>.*

(Continued)

Primary Examiner — Kevin Rudzinski
Assistant Examiner — Sean D Lough
(74) *Attorney, Agent, or Firm* — Fish & Richardson P.C.

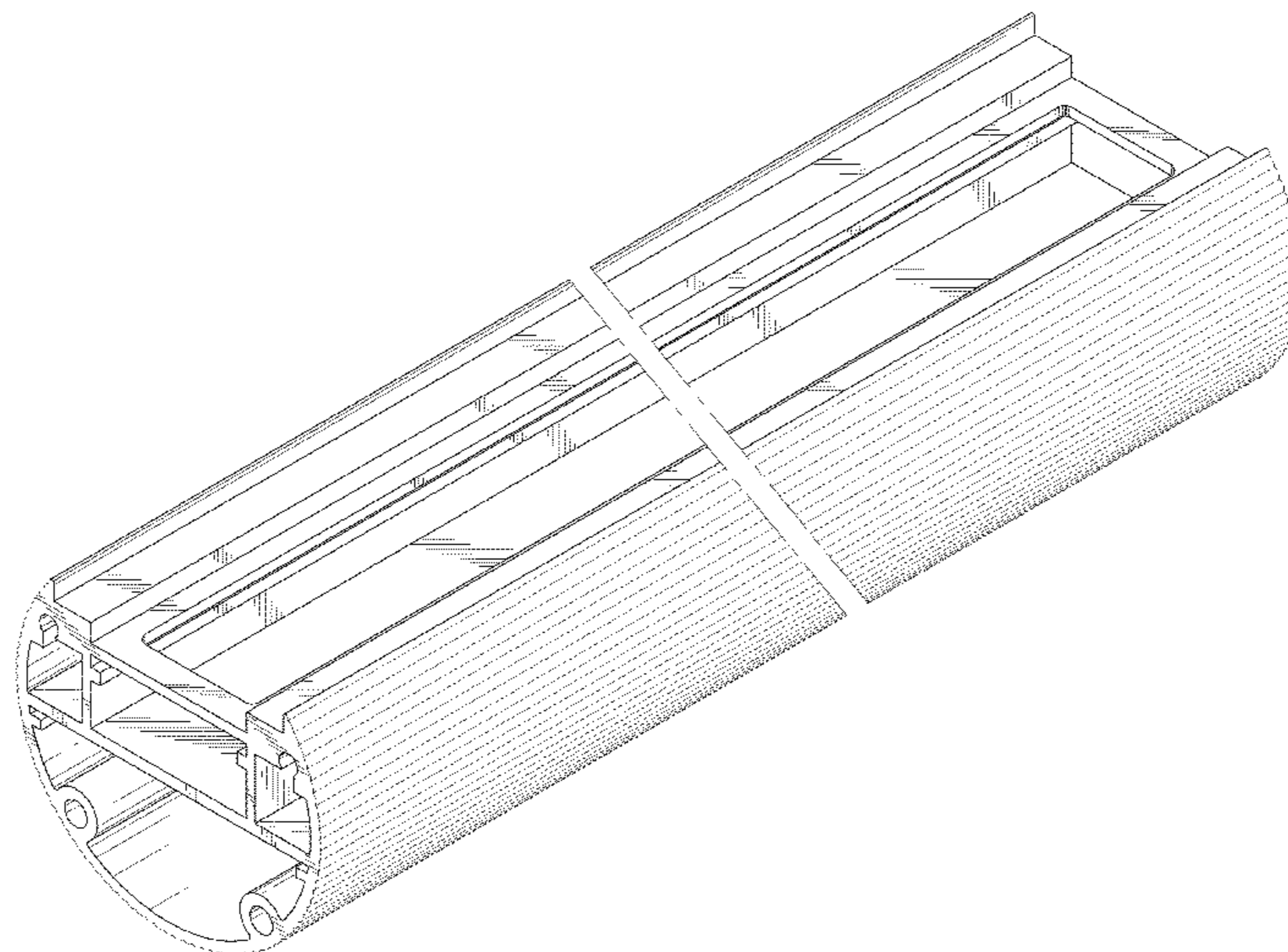
(57) **CLAIM**

The ornamental design for the LED lamp, as shown and described.

DESCRIPTION

FIG. 1 is a perspective view of LED lamp showing my new design;
FIG. 2 is a front elevational view thereof;
FIG. 3 is a rear elevational view thereof;
FIG. 4 is a left side elevational view thereof;
FIG. 5 is a right side elevational view thereof;
FIG. 6 is a top plan view thereof; and,
FIG. 7 is a bottom plan view thereof.
The broken lines (where present) in all Figs. illustrate portions of the LED lamp that form no part of the claimed design.

1 Claim, 7 Drawing Sheets



(56)

References Cited

U.S. PATENT DOCUMENTS

D682,463	S *	5/2013	Bernard	D26/140
8,616,723	B2 *	12/2013	Zhang et al.	362/218
D698,075	S *	1/2014	Klus	D26/138
D701,639	S *	3/2014	Maxik et al.	D26/138
D715,994	S *	10/2014	Klus	D26/141
2007/0274084	A1 *	11/2007	Kan et al.	362/373
2010/0039813	A1 *	2/2010	Sloan et al.	362/246
2010/0079075	A1 *	4/2010	Son	315/152
2011/0280020	A1 *	11/2011	Chen et al.	362/294
2011/0304270	A1 *	12/2011	Scarpelli	315/113
2012/0293309	A1 *	11/2012	Spiro et al.	340/12.32
2013/0258668	A1 *	10/2013	Dellian et al.	362/249.02
2013/0279160	A1 *	10/2013	Myers et al.	362/224

OTHER PUBLICATIONS

Certifications, image date Sep. 29, 2009, site visited Oct. 10, 2014, (online), <http://www.ledflood-lighting.com/china-pds_o_series_o_shape_aluminum_led_led_strip_profile_housing_pds_o_for_led_strips-1043874.html>.*
 Aluminum Cylinder Tube by K&B, image post date 2008, site visited Nov. 14, 2014, (online), <http://kmetal.en.alibaba.com/product/576316410-212574101/Aluminum_Cylinder_Tube.html>.*
 Luma Bar, image post date 2010, site visited Nov. 14, 2014, (online), <http://www.jasoncaps.com/luma_bar_option_page>.*

* cited by examiner

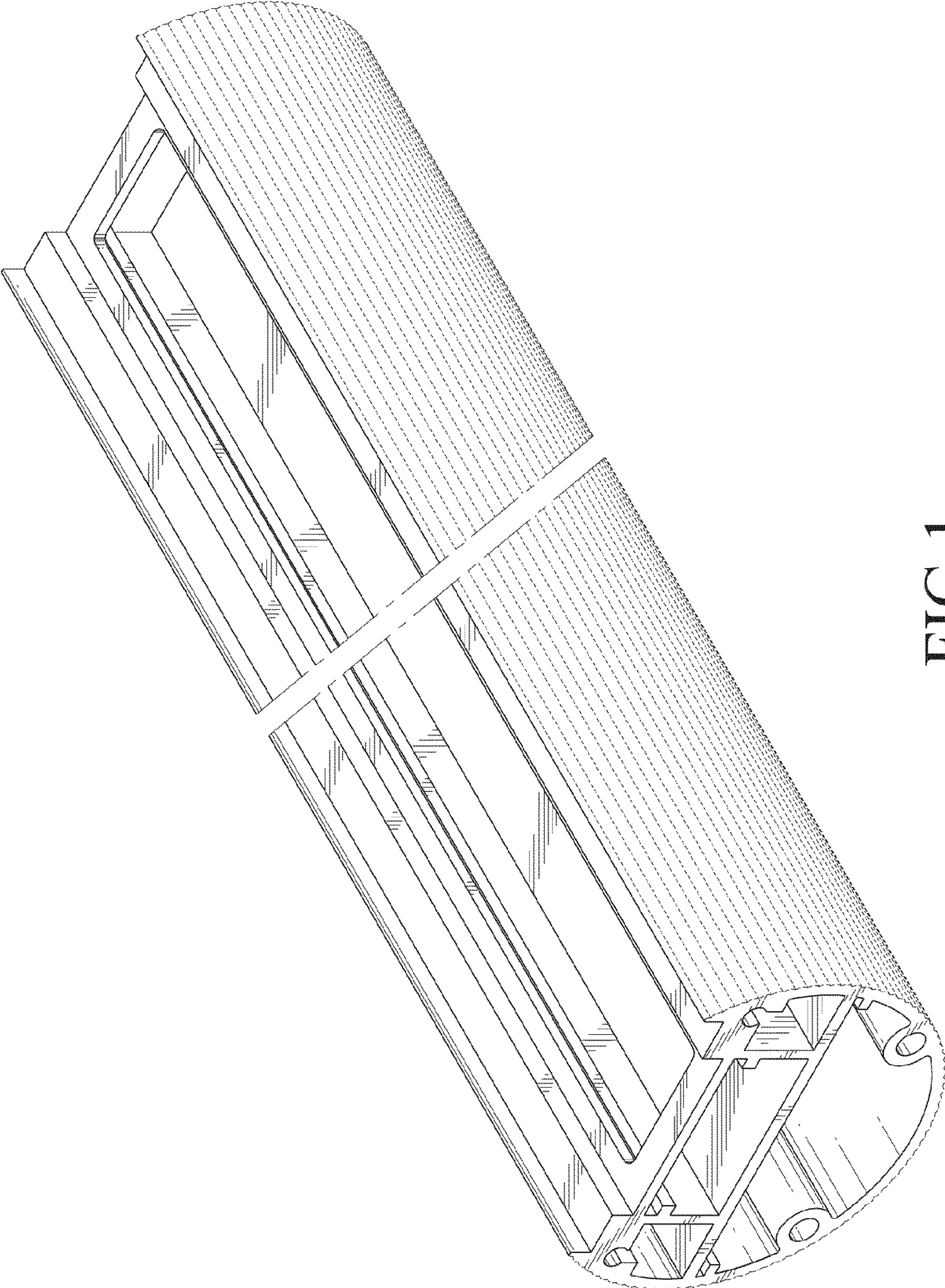


FIG.1

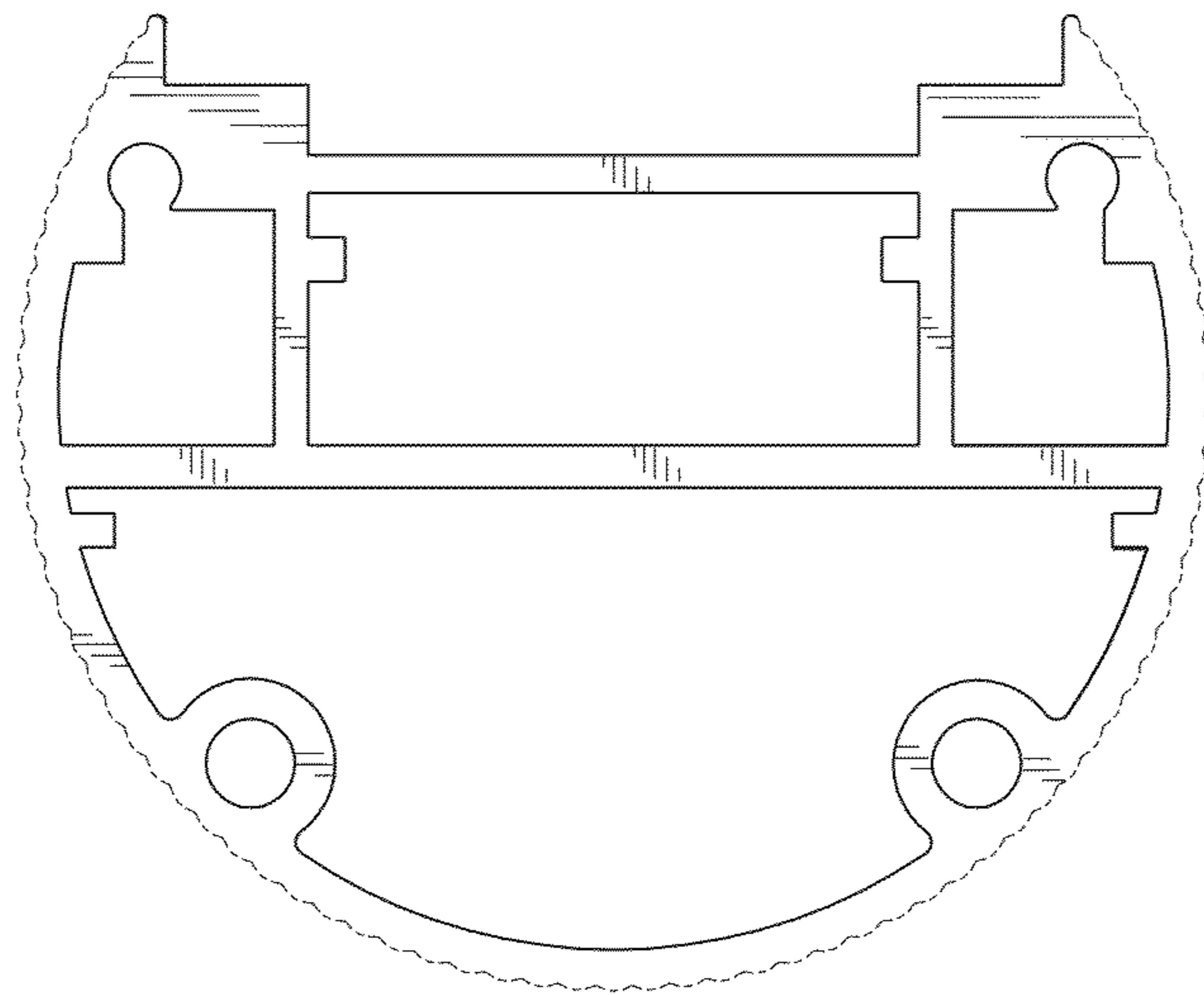


FIG.2

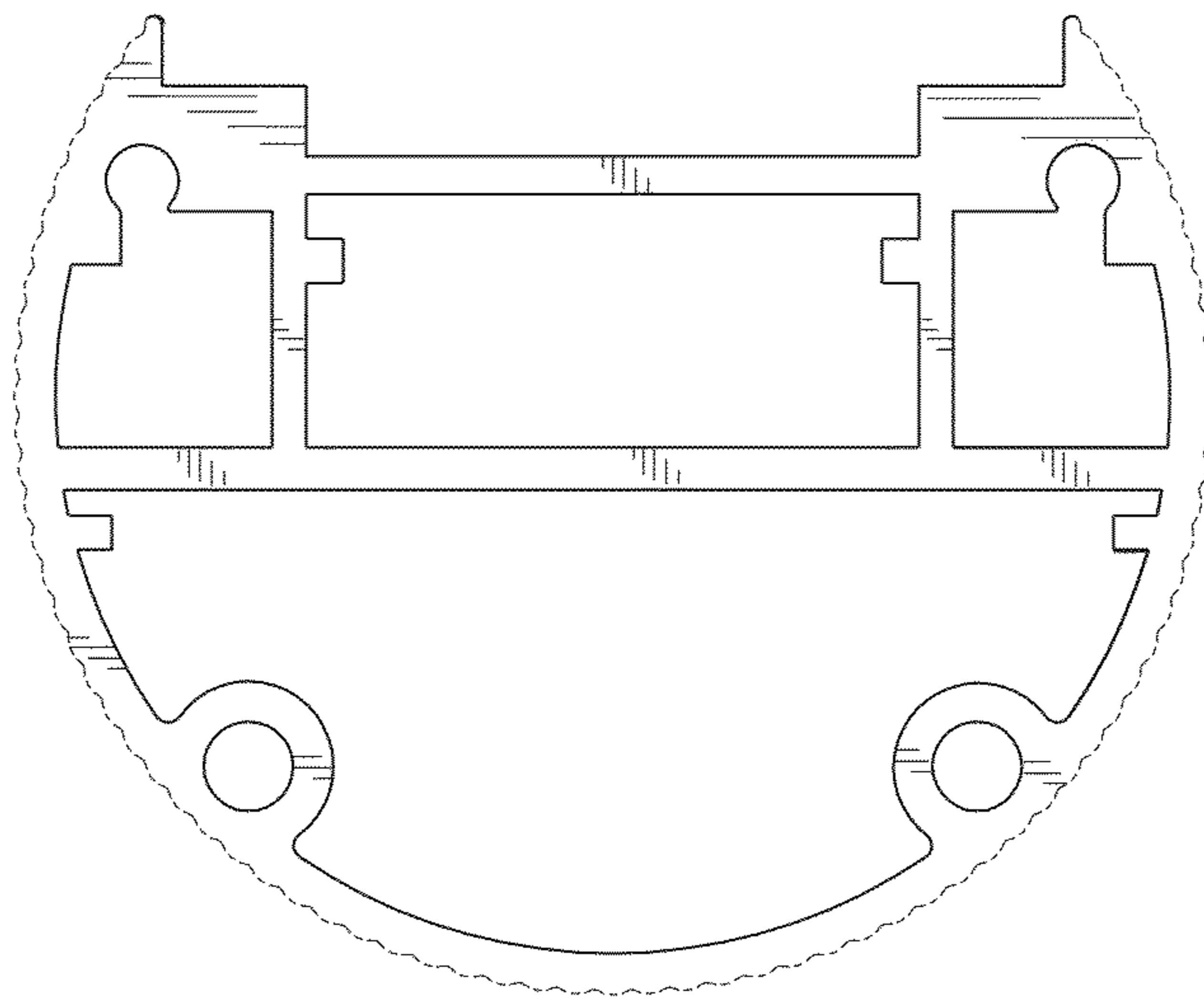


FIG.3

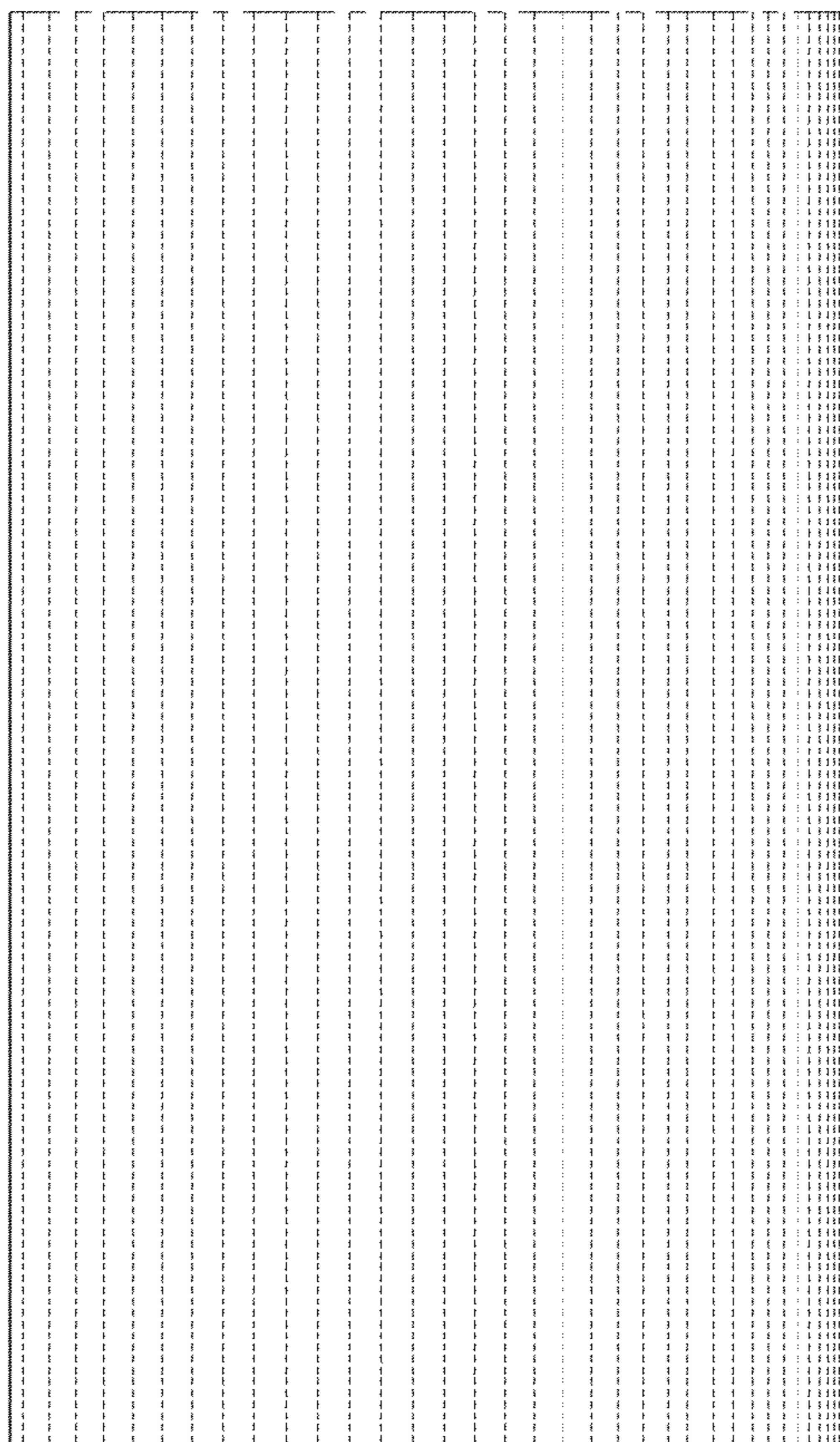
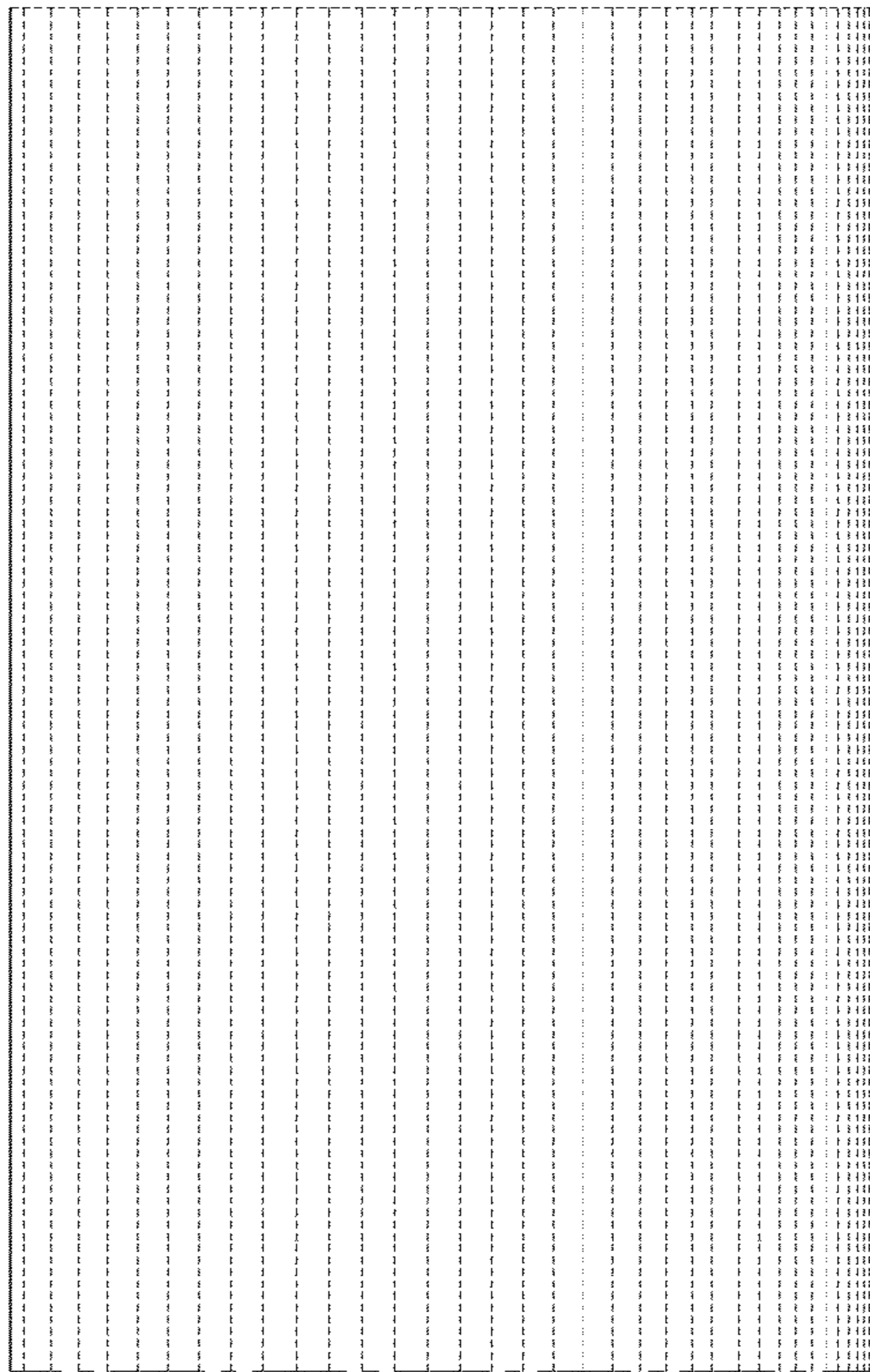


FIG. 4

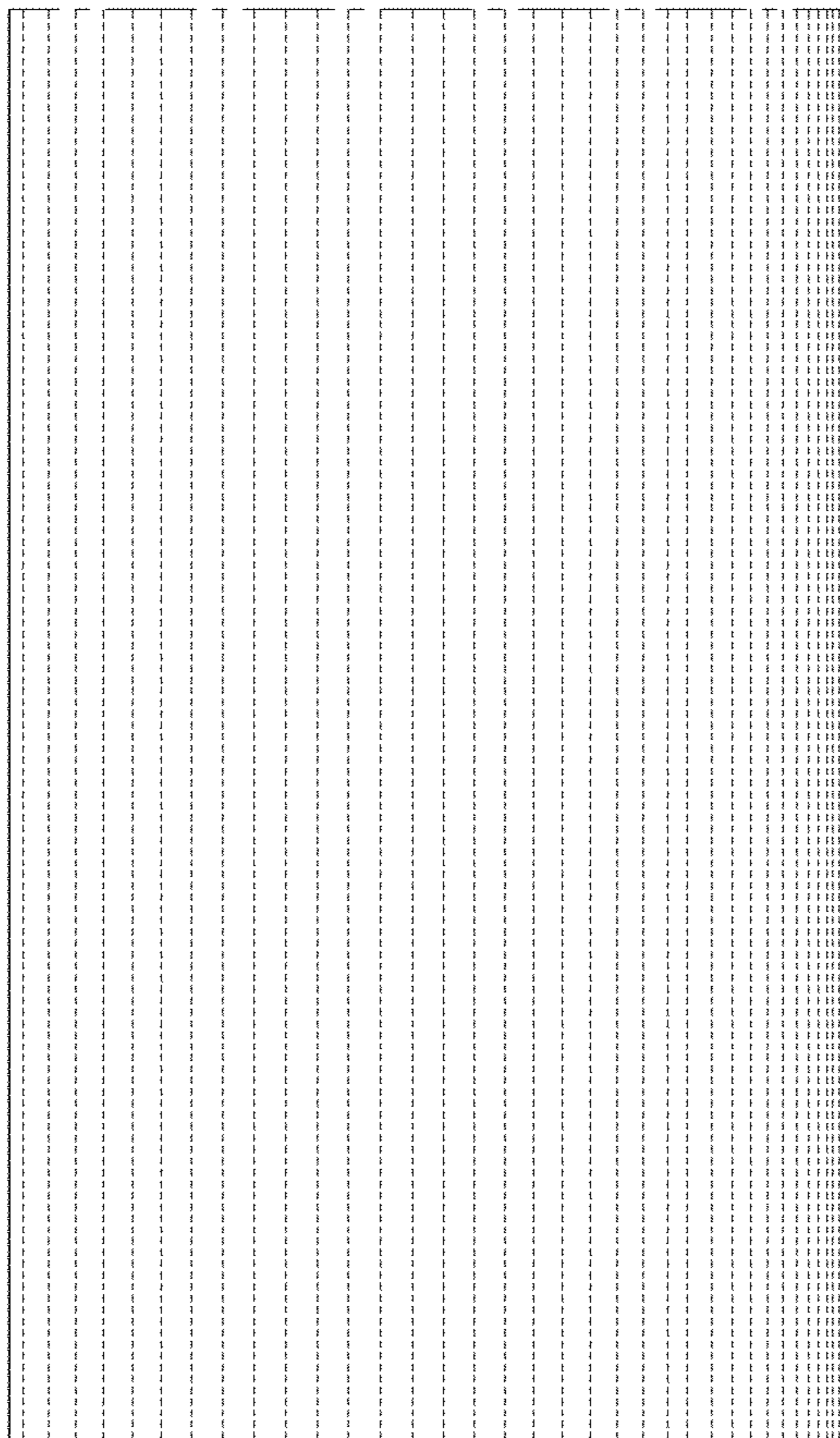
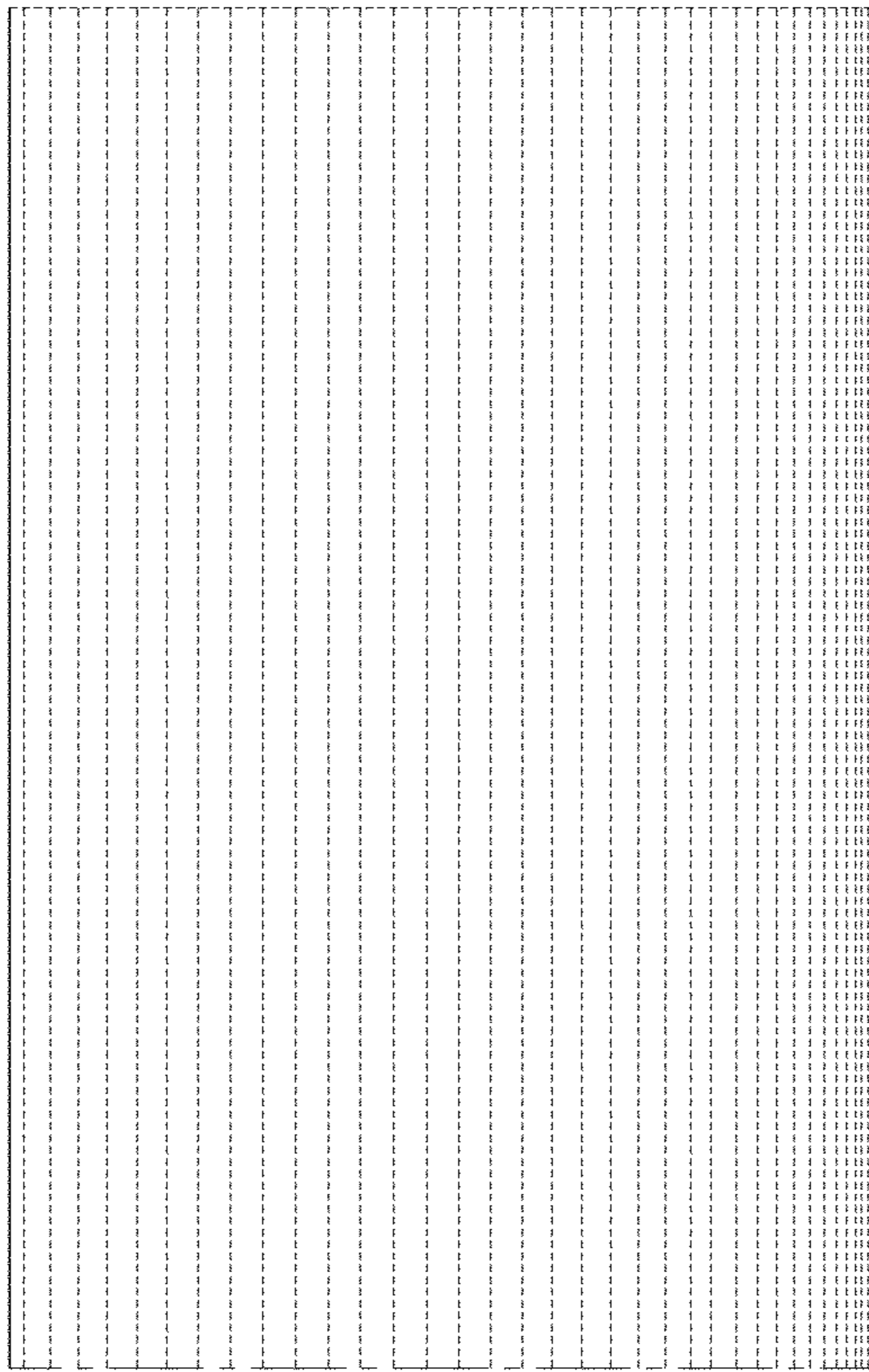


FIG. 5

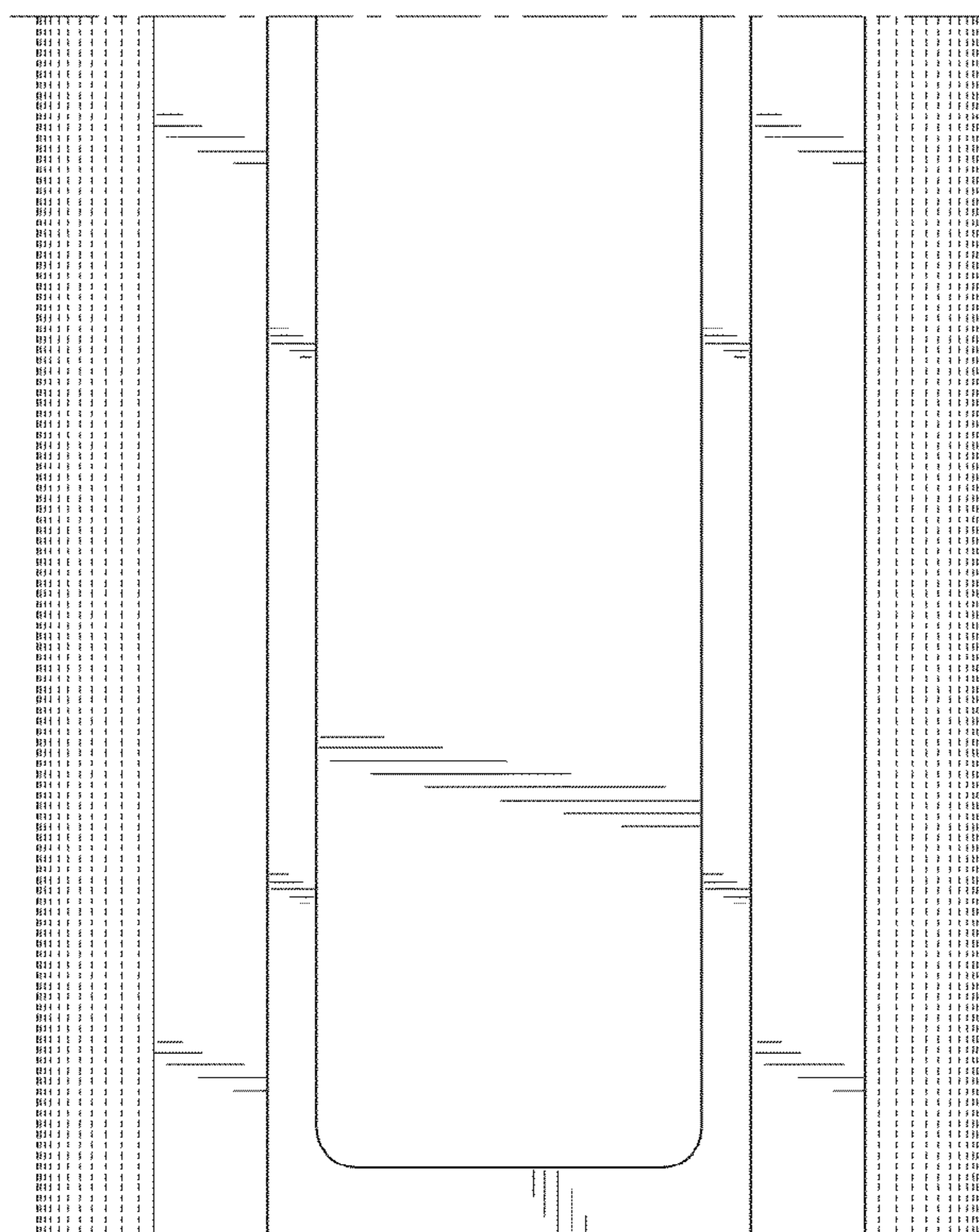
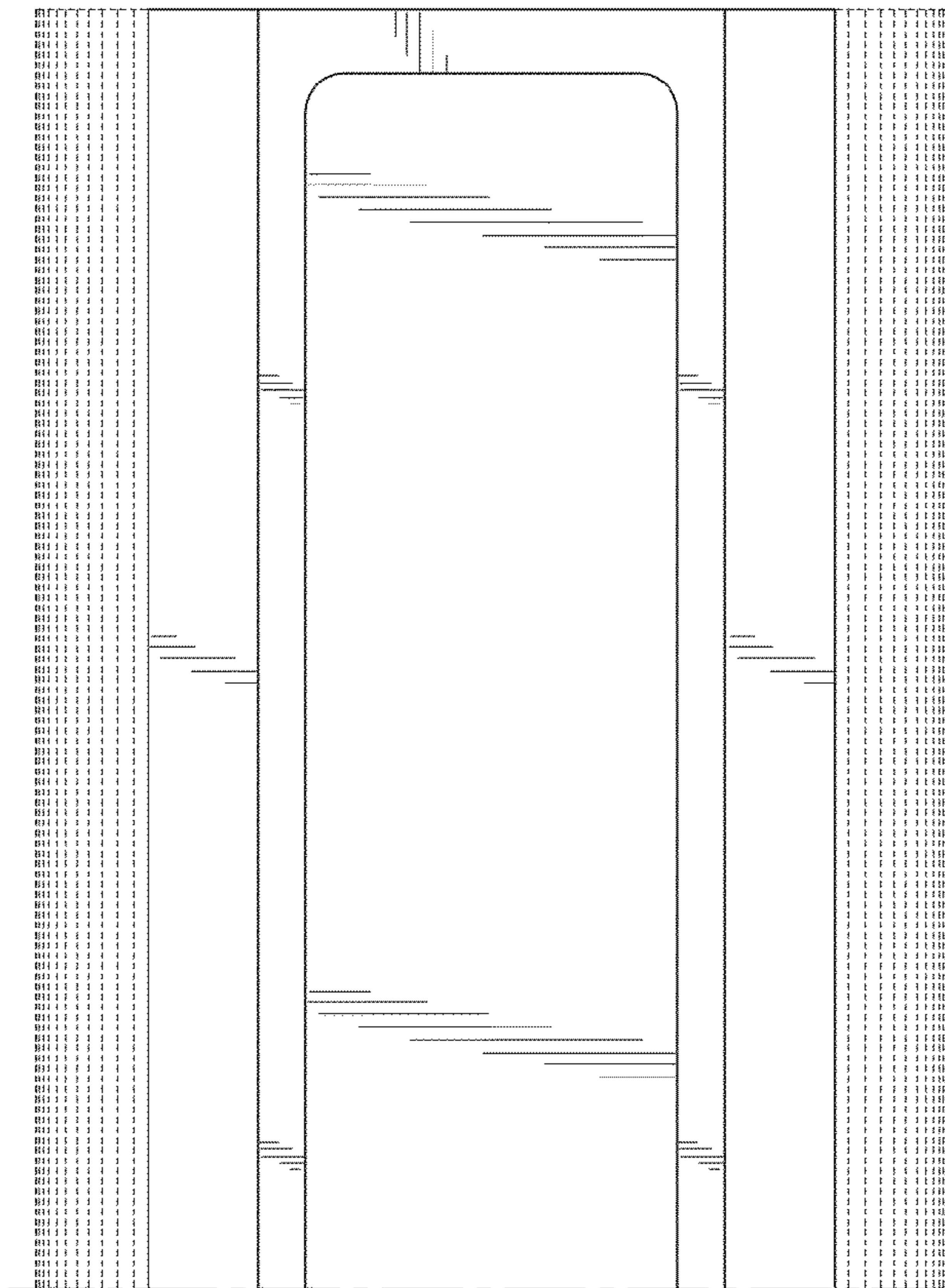


FIG. 6

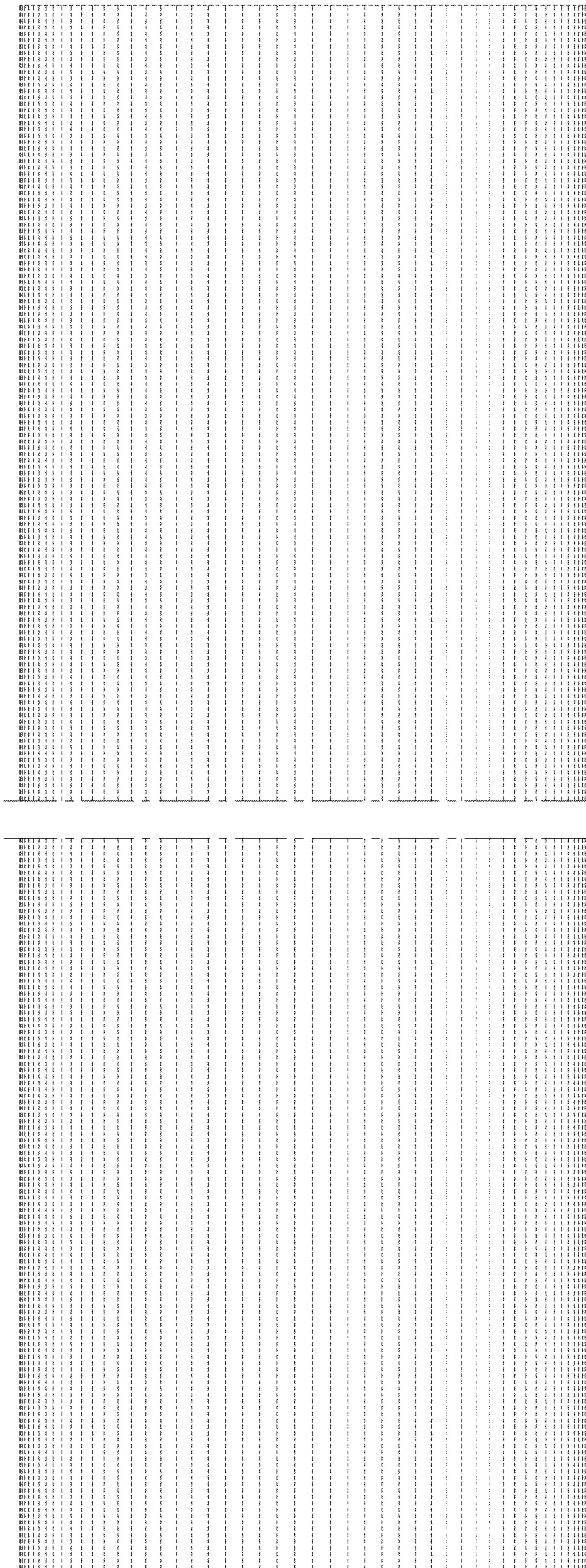


FIG. 7