



US00D727558S

(12) **United States Design Patent**  
**Tang et al.**

(10) **Patent No.:** **US D727,558 S**  
(45) **Date of Patent:** **\*\* Apr. 21, 2015**

(54) **OPTICAL LENS**  
(71) Applicants: **Ledlink Optics, Inc.**, New Taipei (TW);  
**Ledlink Optics (Dong Guan) Co., Ltd.**,  
Guangdong (CN); **Yang Zhou Ledlink**  
**Optics Co., Ltd.**, Jiangsu Province (CN)  
(72) Inventors: **Te-Lung Tang**, New Taipei (TW);  
**Chih-Ming Wei**, New Taipei (TW)  
(73) Assignees: **Yang Zhou Ledlink Optics Co., Ltd.**,  
Jiangsu Province (CN); **Ledlink Optics**  
**(Dong Guan) Co., Ltd.**, Guangdong  
(CN); **Ledlink Optics, Inc.**, New Taipei  
(TW)

(\*\*) Term: **14 Years**

(21) Appl. No.: **29/441,980**

(22) Filed: **Jan. 11, 2013**

(51) **LOC (10) Cl.** ..... **26-99**

(52) **U.S. Cl.**  
USPC ..... **D26/120**

(58) **Field of Classification Search**  
CPC ..... F21Y 2101/02; F21Y 2103/003; F21Y  
2105/001; F21Y 2105/003; F21Y 2105/008;  
F21Y 2111/001; F21Y 2113/007; F21V 5/04;  
F21V 5/004; F21V 5/045; F21V 7/041;  
F21W 2131/103; F21K 9/00  
USPC ..... D26/120, 113, 118, 119, 121, 122, 124,  
D26/125, 128, 64, 24, 93, 76, 44, 63;  
D13/179, 180  
See application file for complete search history.

(56) **References Cited**  
U.S. PATENT DOCUMENTS

D255,883 S \* 7/1980 Ferenc ..... D10/121  
5,051,875 A \* 9/1991 Johnson ..... 362/101  
D367,829 S \* 3/1996 Takigawa ..... D10/132

D425,225 S \* 5/2000 Holderfield ..... D26/37  
6,590,235 B2 \* 7/2003 Carey et al. .... 257/98  
D491,897 S \* 6/2004 Kamada ..... D13/180  
D491,898 S \* 6/2004 Kamada ..... D13/180  
D492,047 S \* 6/2004 Dohogne et al. .... D26/28  
D514,008 S \* 1/2006 Sassoon ..... D10/113.1  
D522,469 S \* 6/2006 Suenaga ..... D13/180  
7,055,996 B2 \* 6/2006 Pond et al. .... 362/498  
7,081,644 B2 \* 7/2006 Flaherty et al. .... 257/98  
D525,949 S \* 8/2006 Kamada ..... D13/180  
D540,271 S \* 4/2007 Suenaga ..... D13/180  
D544,618 S \* 6/2007 Coughaine ..... D26/37  
D556,703 S \* 12/2007 Suenaga ..... D13/180  
D567,773 S \* 4/2008 Kamada ..... D13/180  
D573,554 S \* 7/2008 Kobayakawa ..... D13/180  
D578,684 S \* 10/2008 Marquardt ..... D26/28  
D579,424 S \* 10/2008 Kim et al. .... D13/180  
D580,575 S \* 11/2008 Shiu ..... D26/60  
D586,935 S \* 2/2009 Lassen ..... D26/72  
D595,884 S \* 7/2009 Liao et al. .... D26/60  
D596,592 S \* 7/2009 Yong et al. .... D13/180  
D603,997 S \* 11/2009 Shiu ..... D26/72  
D615,505 S \* 5/2010 Butterworth et al. .... D13/180  
D618,384 S \* 6/2010 Chen et al. .... D26/120

(Continued)

Primary Examiner — Kevin Rudzinski

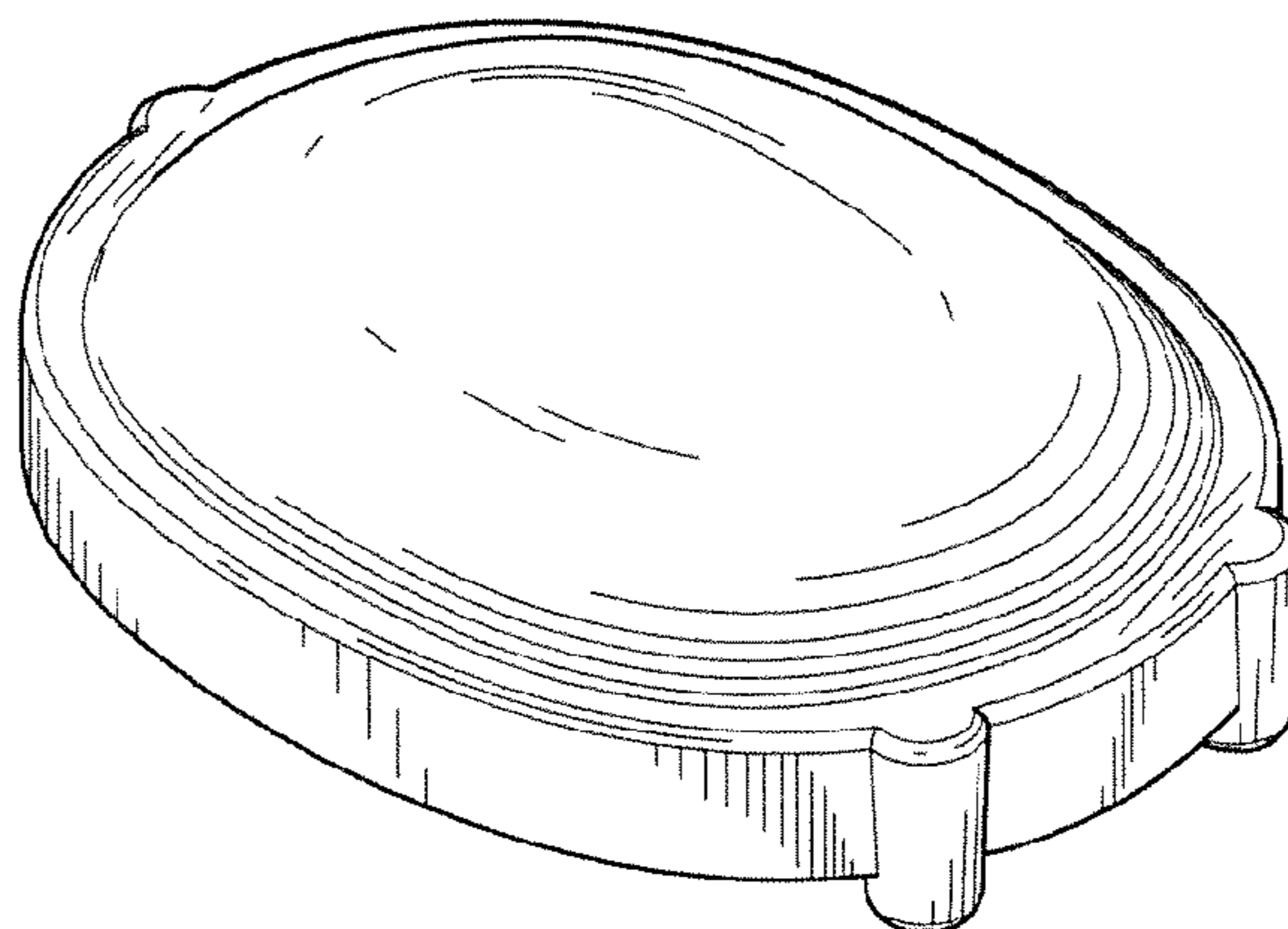
(74) Attorney, Agent, or Firm — Leong C. Lei

(57) **CLAIM**  
The ornamental design for an “optical lens,” as shown and described.

**DESCRIPTION**

FIG. 1 is a perspective view of a “optical lens” showing our new design;  
FIG. 2 is a front view thereof;  
FIG. 3 is a rear view thereof;  
FIG. 4 is a left side view thereof;  
FIG. 5 is a right side view thereof;  
FIG. 6 is a top view thereof;  
FIG. 7 is a bottom view thereof; and,  
FIG. 8 is a sectional view taken along line 8-8 of FIG. 6.

**1 Claim, 5 Drawing Sheets**



(56)

References Cited

U.S. PATENT DOCUMENTS

D619,753 S *	7/2010	Zhang et al.	.....	D26/120	D691,323 S *	10/2013	Tang et al.	.....	D26/124
D625,046 S *	10/2010	Liu et al.	.....	D26/128	8,545,058 B2 *	10/2013	Chen et al.	.....	362/268
D631,185 S *	1/2011	Ku et al.	.....	D26/120	D697,642 S *	1/2014	Amari et al.	.....	D26/1
D636,111 S *	4/2011	Chen et al.	.....	D26/120	D700,394 S *	2/2014	Tang et al.	.....	D26/124
D643,150 S *	8/2011	Chen et al.	.....	D26/124	2002/0149929 A1 *	10/2002	Evans et al.	.....	362/184
7,988,338 B2 *	8/2011	Zhou	.....	362/311.02	2007/0045823 A1 *	3/2007	Miller	.....	257/706
8,035,899 B2 *	10/2011	Lin et al.	.....	359/649	2007/0063321 A1 *	3/2007	Han et al.	.....	257/675
8,058,667 B2 *	11/2011	Tran et al.	.....	257/99	2008/0100773 A1 *	5/2008	Hwang et al.	.....	349/62
8,104,930 B2 *	1/2012	Zhang et al.	.....	362/311.02	2008/0203412 A1 *	8/2008	Shyu et al.	.....	257/98
D666,353 S *	8/2012	Lin et al.	.....	D26/124	2010/0073938 A1 *	3/2010	Ho	.....	362/335
8,240,888 B2 *	8/2012	Zhang et al.	.....	362/311.06	2010/0226130 A1 *	9/2010	Cheng et al.	.....	362/294
8,293,548 B2 *	10/2012	Cheng et al.	.....	438/27	2010/0259151 A1 *	10/2010	Chen et al.	.....	313/110
8,337,053 B2 *	12/2012	Chen et al.	.....	362/311.06	2010/0328941 A1 *	12/2010	Zhang et al.	.....	362/235
D677,831 S *	3/2013	Lin et al.	.....	D26/120	2011/0235338 A1 *	9/2011	Chen et al.	.....	362/311.02
D678,598 S *	3/2013	Wu et al.	.....	D26/120	2011/0317432 A1 *	12/2011	Lee	.....	362/335
					2014/0104853 A1 *	4/2014	Lin et al.	.....	362/335
					2014/0160767 A1 *	6/2014	Chen	.....	362/308

\* cited by examiner

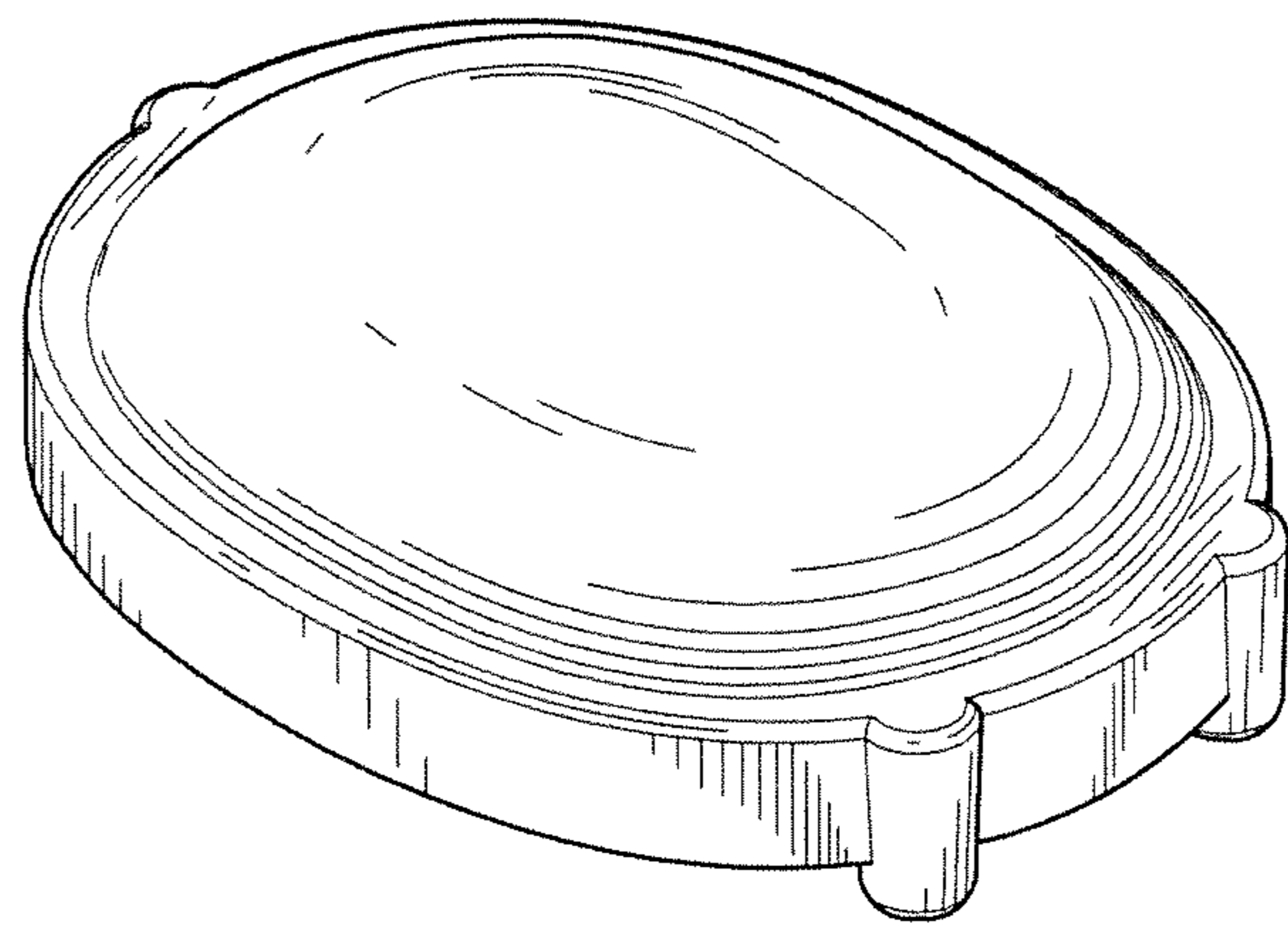


FIG. 1

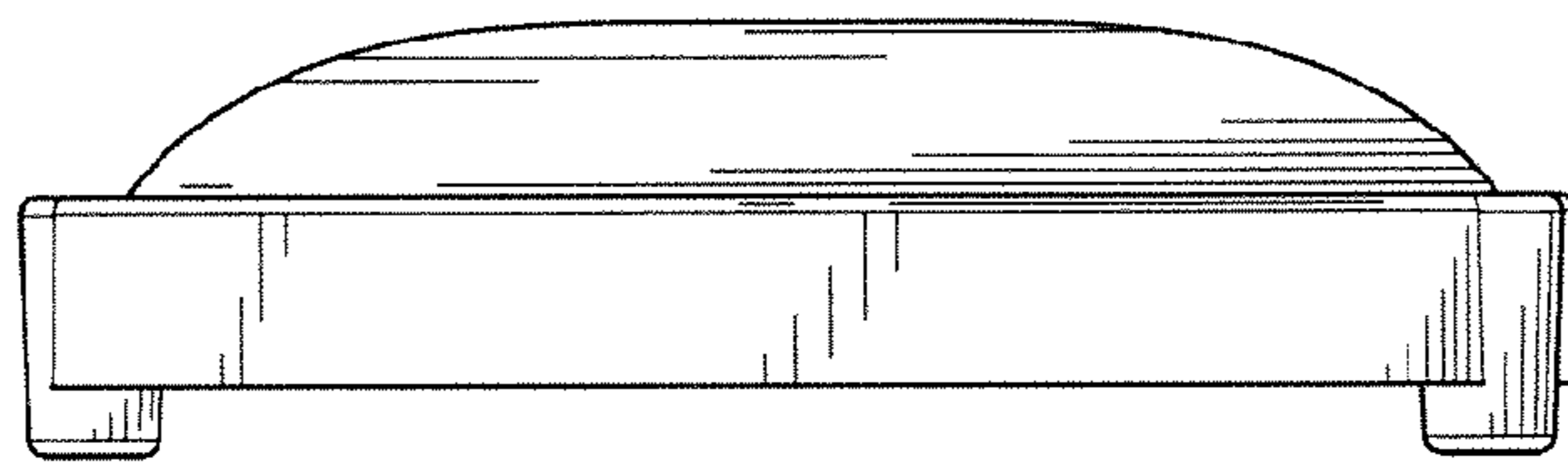


FIG. 2

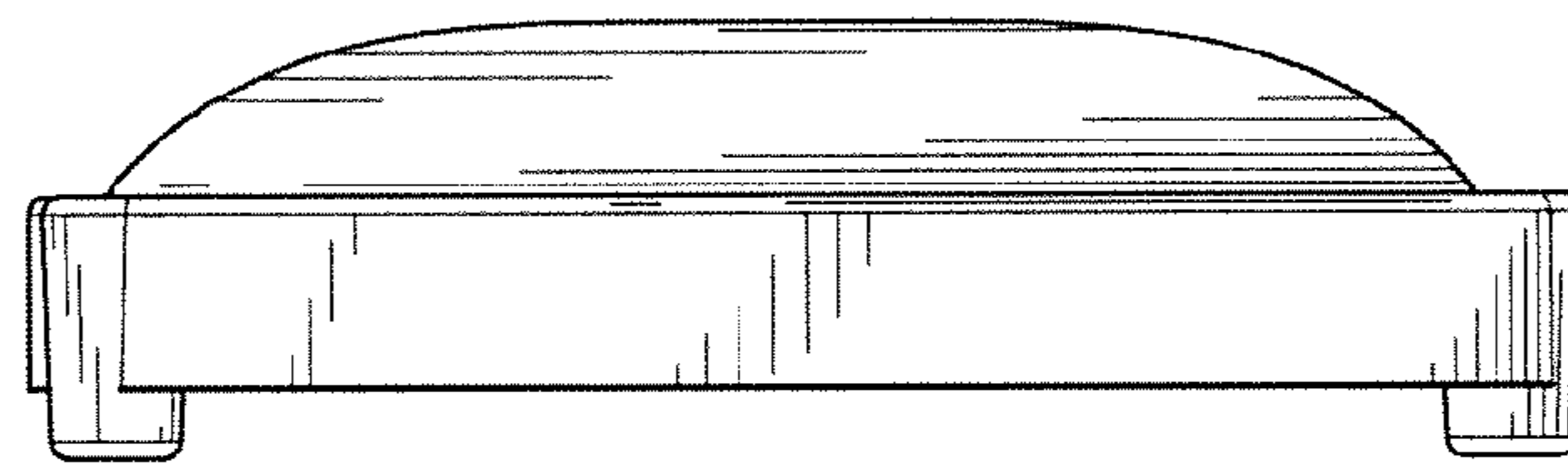


FIG. 3

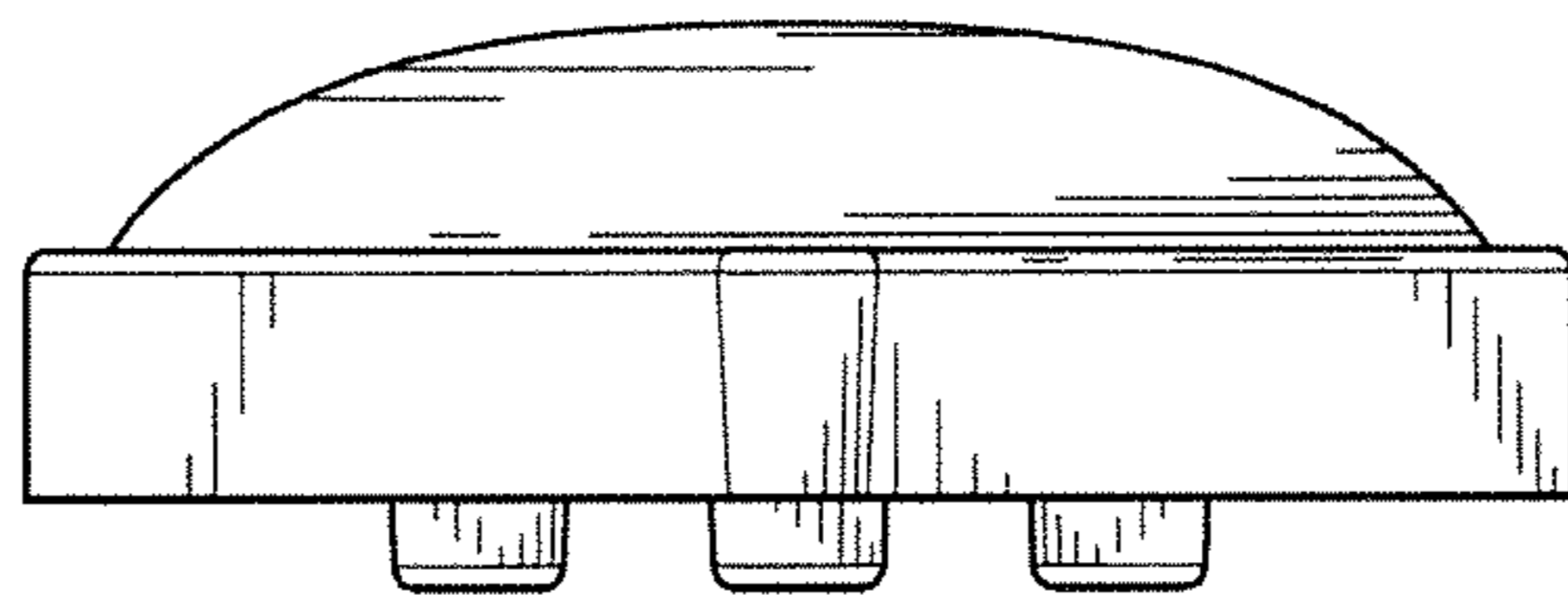


FIG. 4

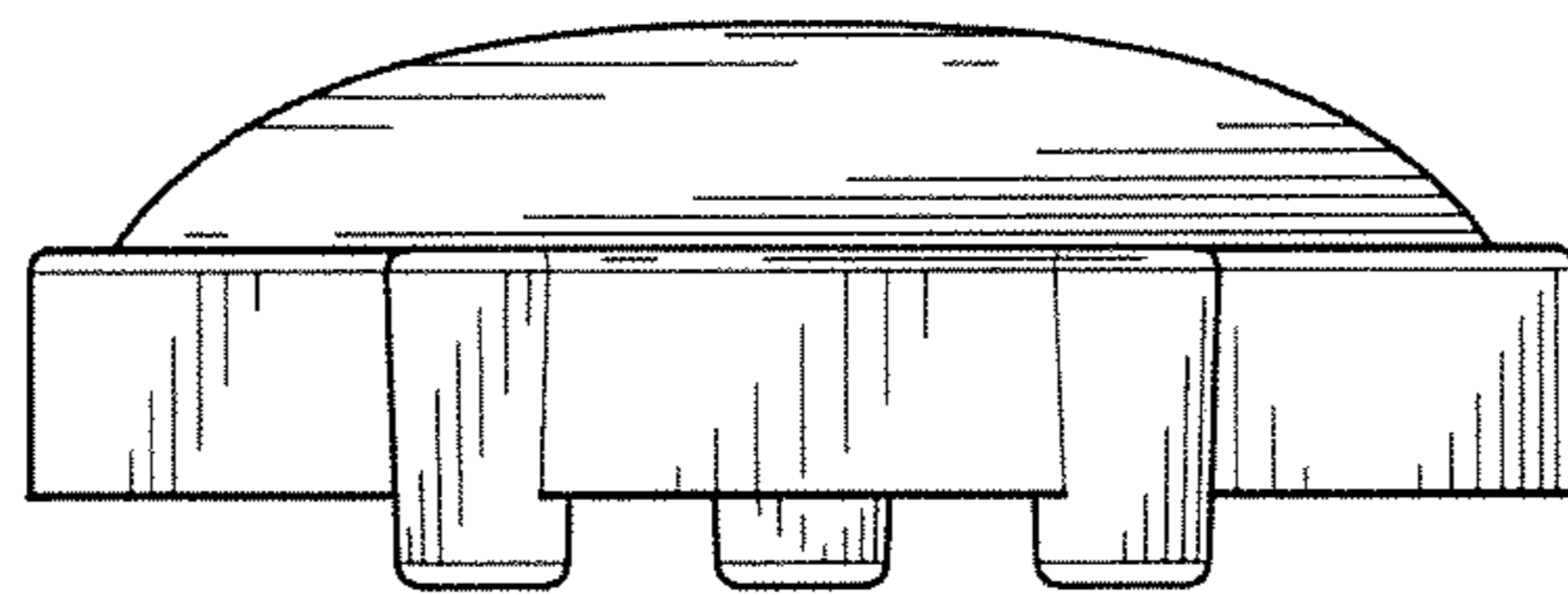


FIG. 5

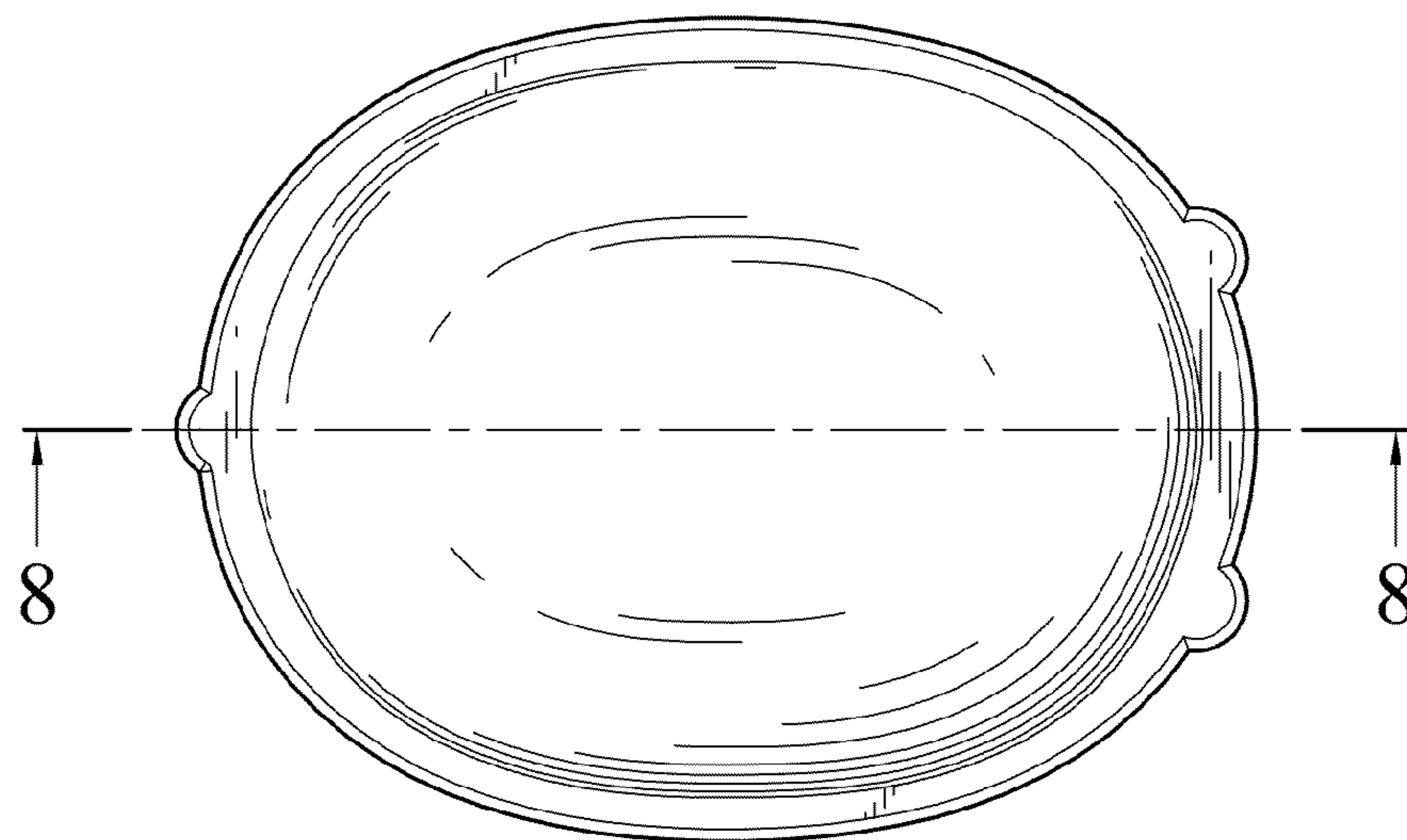


FIG. 6

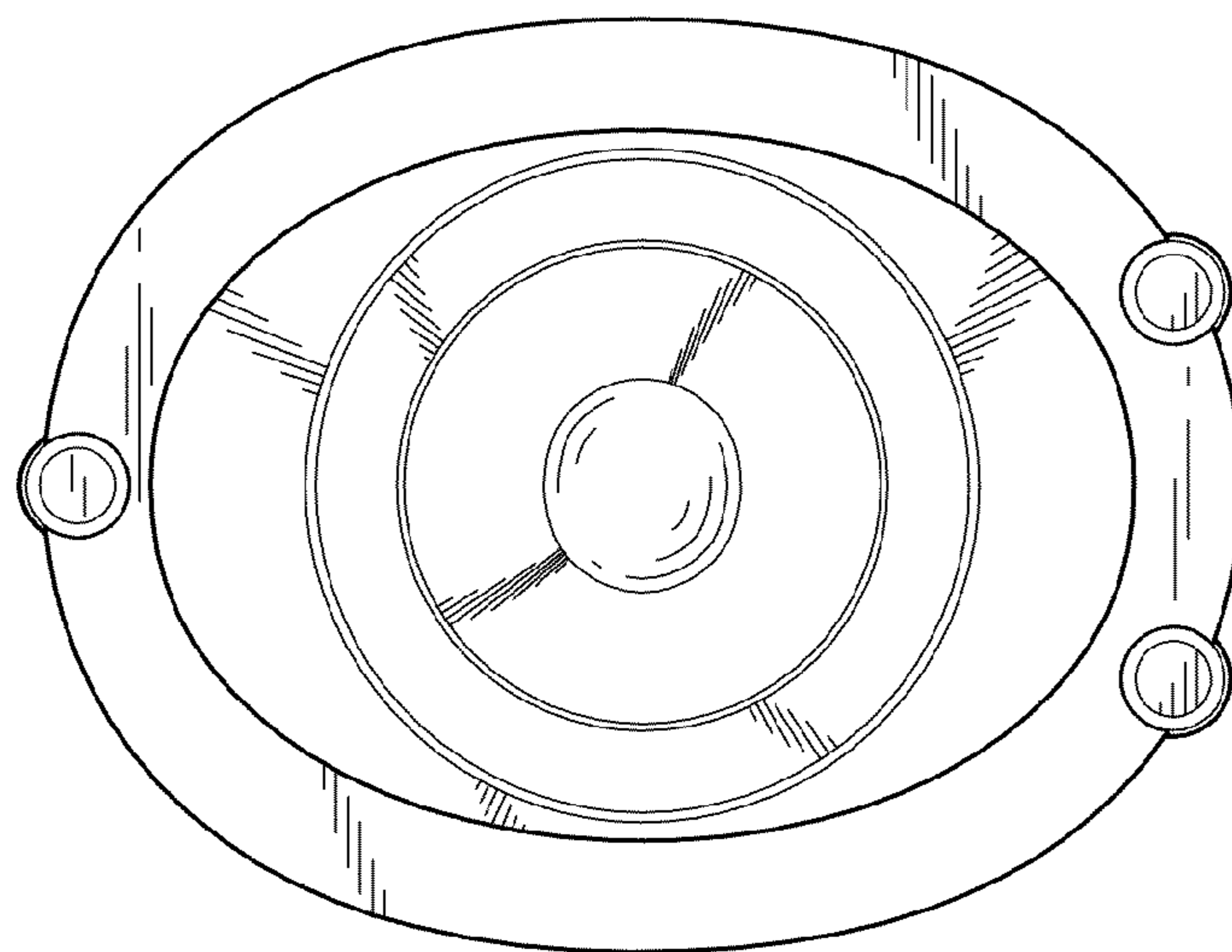


FIG. 7

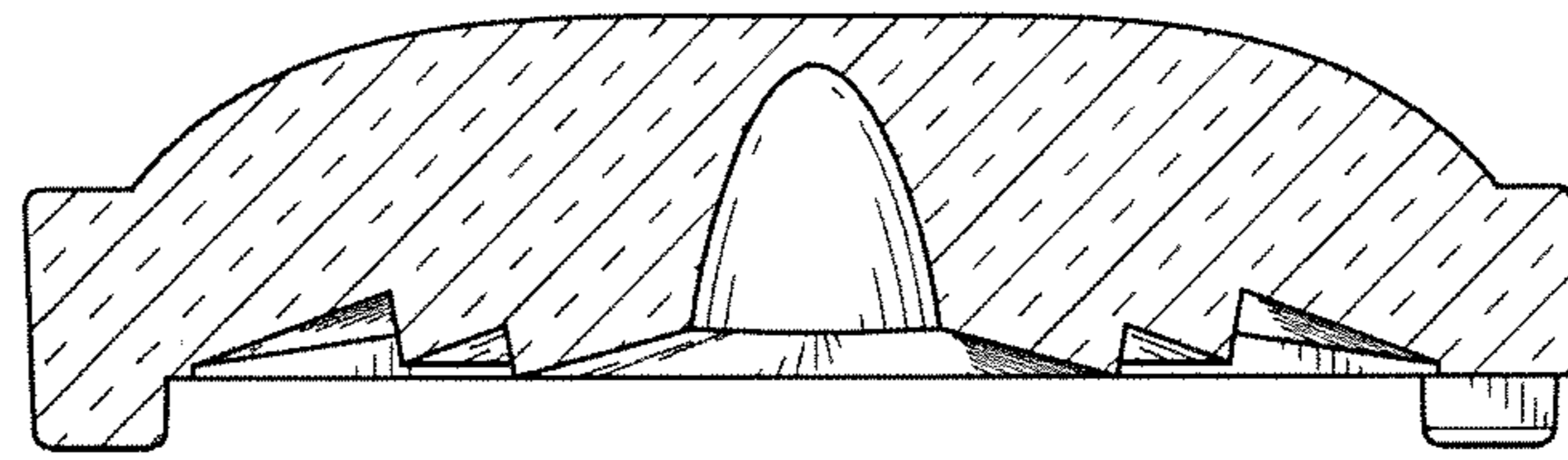


FIG. 8