



US00D727555S

(12) **United States Design Patent**
Gunawan

(10) **Patent No.:** **US D727,555 S**

(45) **Date of Patent:** **** Apr. 21, 2015**

(54) **BOOK LAMP**

D314,835 S * 2/1991 Ebihara D26/93
D606,874 S * 12/2009 Faridovich et al. D9/634
D644,690 S * 9/2011 Mott et al. D19/26

(71) Applicant: **Max Gunawan**, San Francisco, CA (US)

(72) Inventor: **Max Gunawan**, San Francisco, CA (US)

(**) Term: **14 Years**

(21) Appl. No.: **29/446,846**

(22) Filed: **Feb. 27, 2013**

* cited by examiner

Primary Examiner — Brian N Vinson

(74) *Attorney, Agent, or Firm* — Steven A. Nielsen;
www.NielsenPatents.com

(57) **CLAIM**

The ornamental design for a book lamp, as shown and described.

Related U.S. Application Data

(63) Continuation-in-part of application No. 29/445,365, filed on Feb. 11, 2013, now abandoned.

(51) **LOC (10) Cl.** **16-03**

(52) **U.S. Cl.**
USPC **D26/94**

(58) **Field of Classification Search**
USPC D26/93, 94, 125; D11/157; D99/37;
D9/600, 634; D19/16, 29
See application file for complete search history.

DESCRIPTION

FIG. 1 is a perspective view of a book lamp in a closed position showing my new design;

FIG. 2 is a perspective view in an optimal half open position thereof;

FIG. 3 is a front side plan view with the back side being a mirror image thereof;

FIG. 4 is a plan view of the binding side thereof;

FIG. 5 is a plan view of the page side thereof;

FIG. 6 is a top side plan view with the bottom side plan view being a mirror image thereof;

FIG. 7 is a side view in an optional full open position with the opposite side being a mirror image thereof; and,

FIG. 8 is a top view in an optional half open position.

(56) **References Cited**

U.S. PATENT DOCUMENTS

D174,939 S * 6/1955 Borowitz D26/94
D174,940 S * 6/1955 Botowitz D26/94
D175,722 S * 10/1955 Graham D9/634

1 Claim, 7 Drawing Sheets

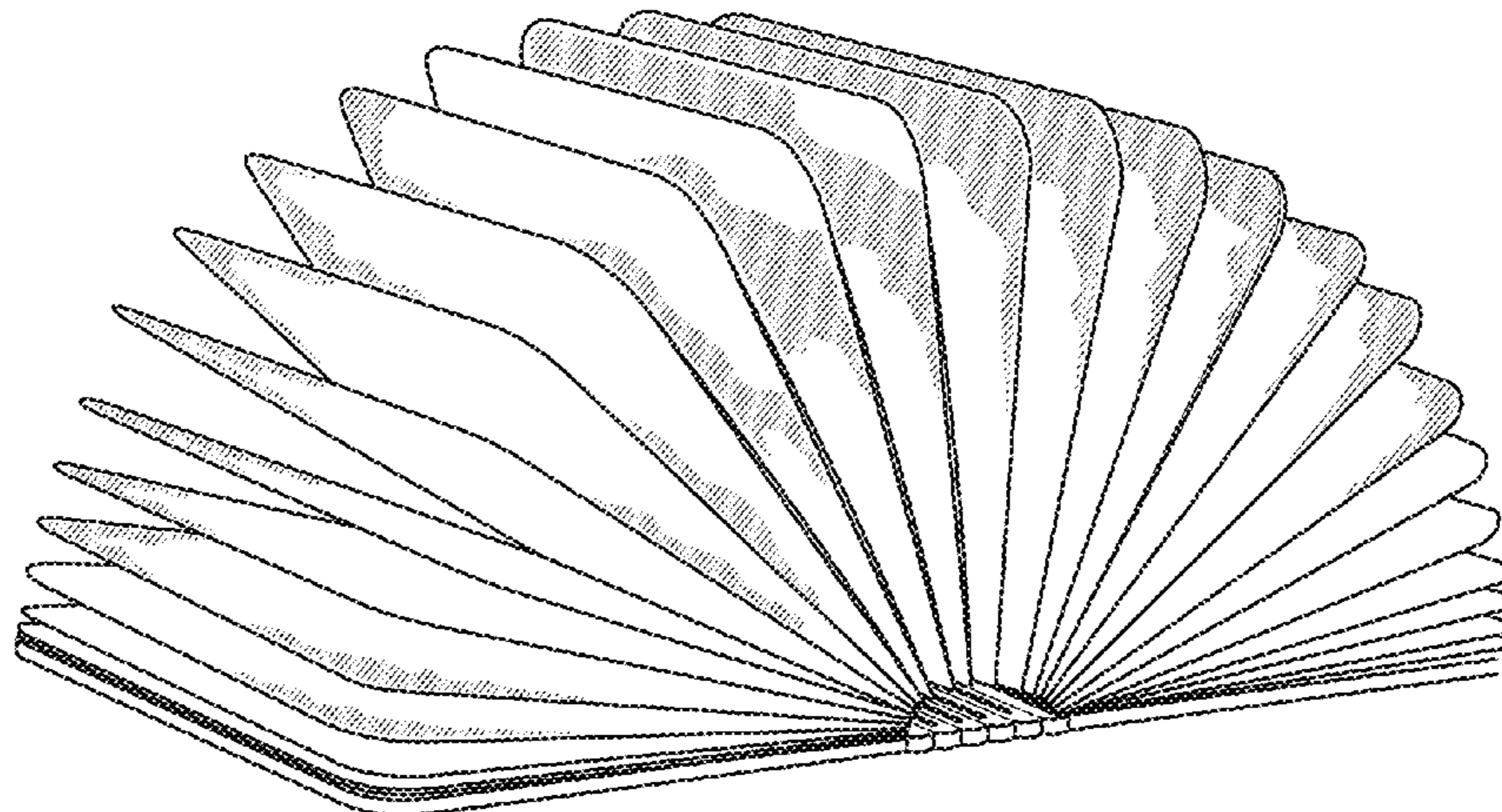
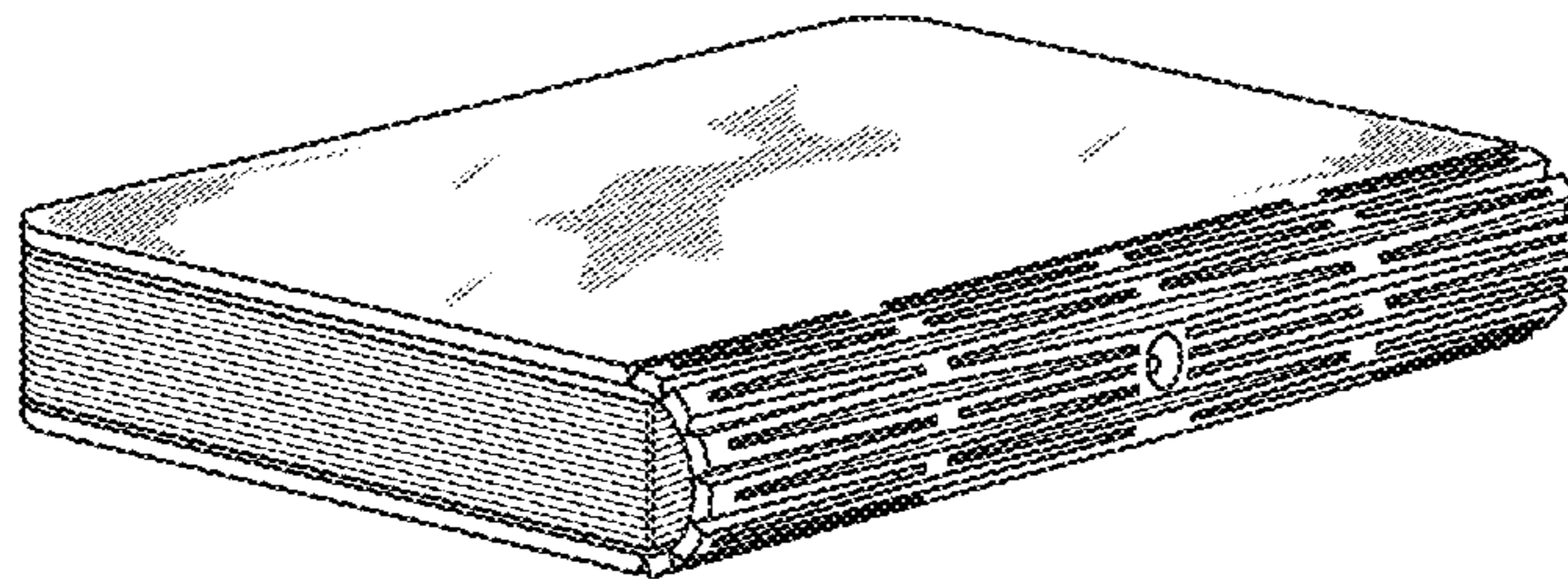


Fig. 2

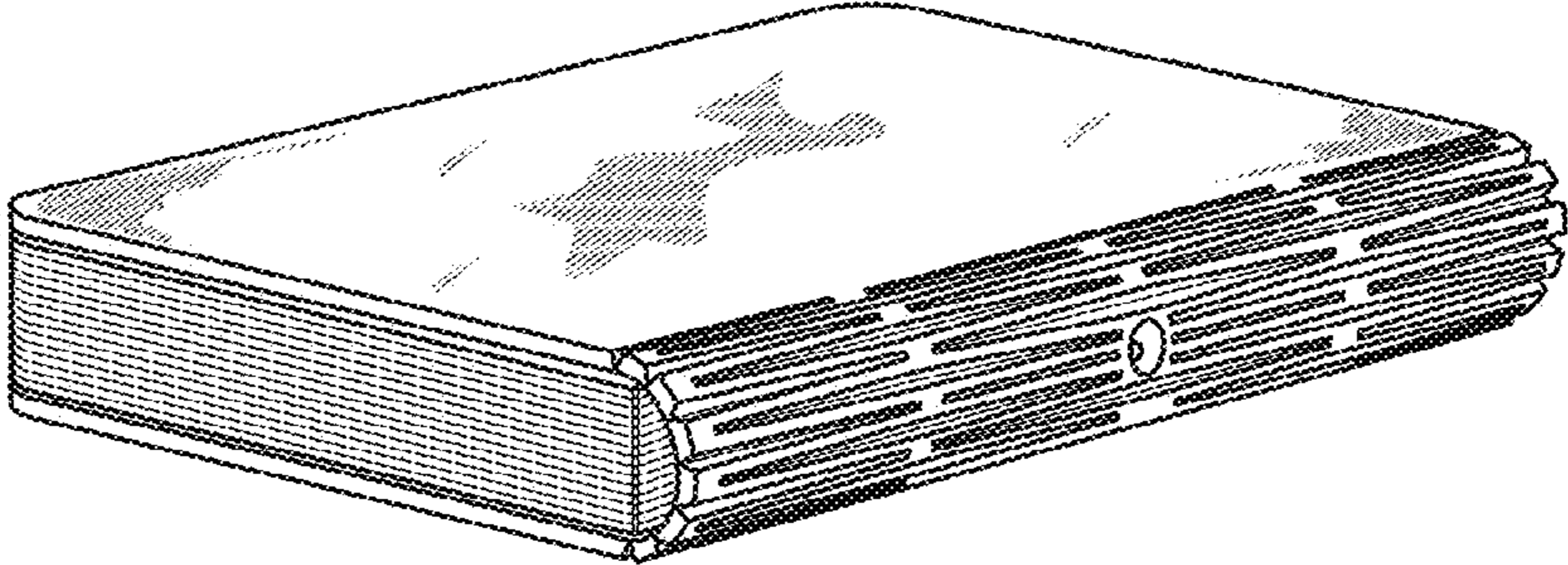
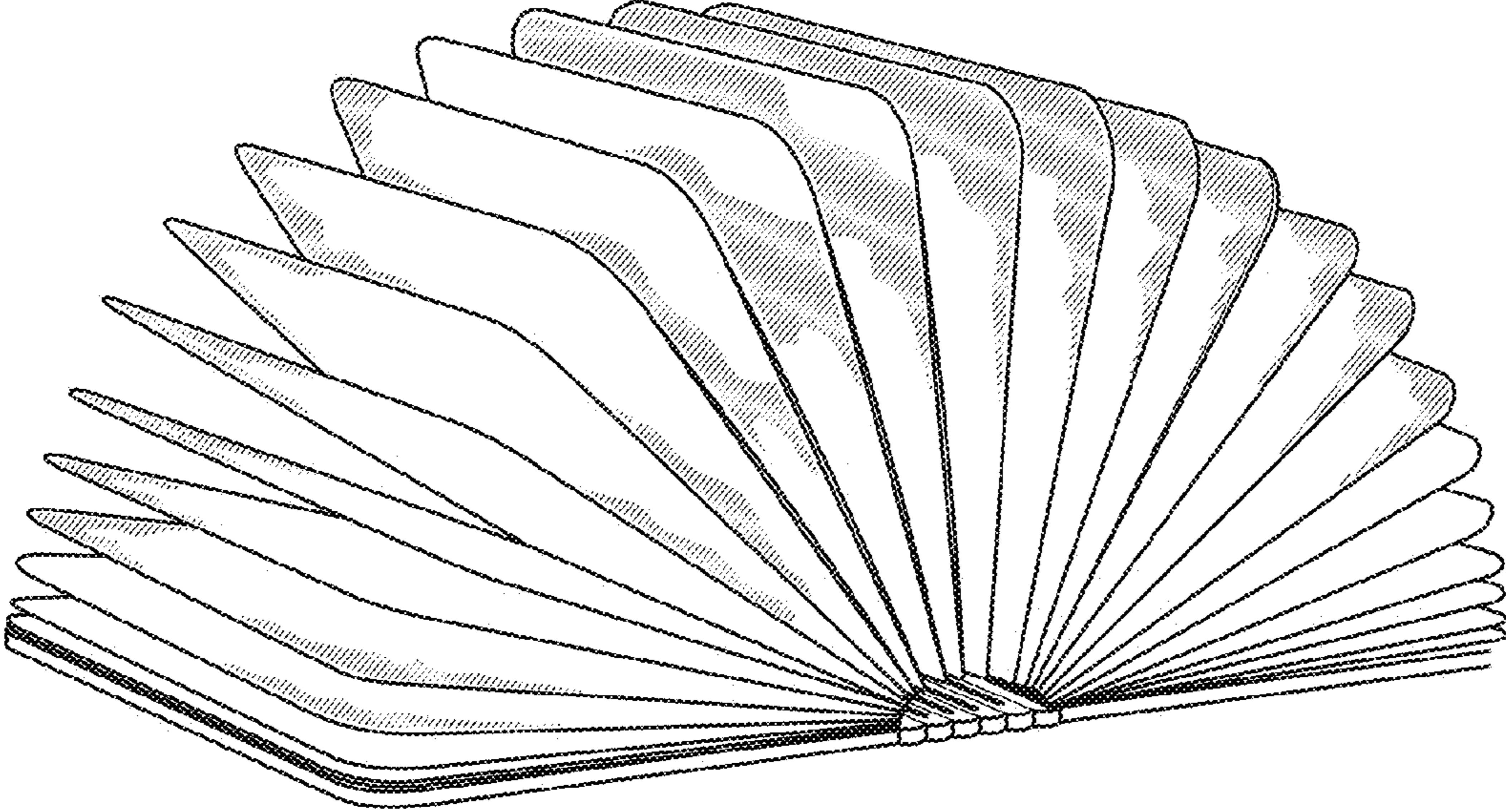


Fig. 1



Fig. 3

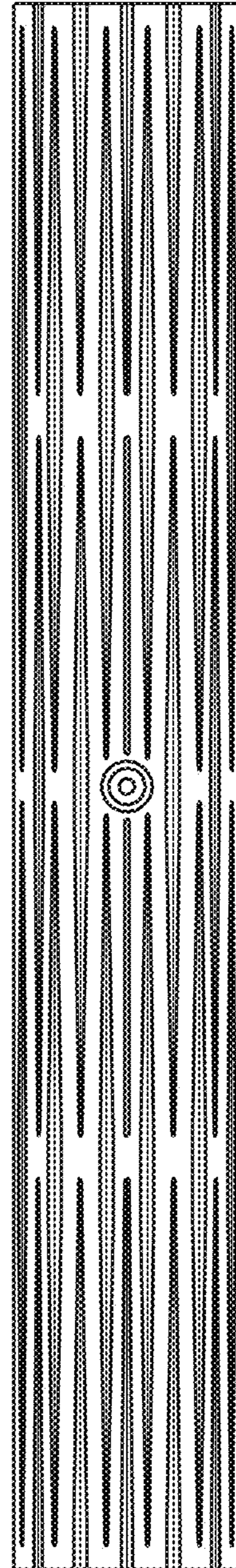


Fig. 4

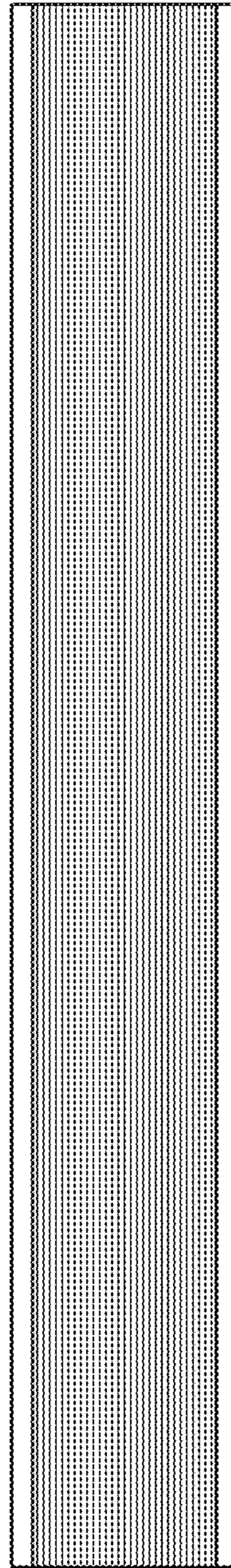


Fig. 5

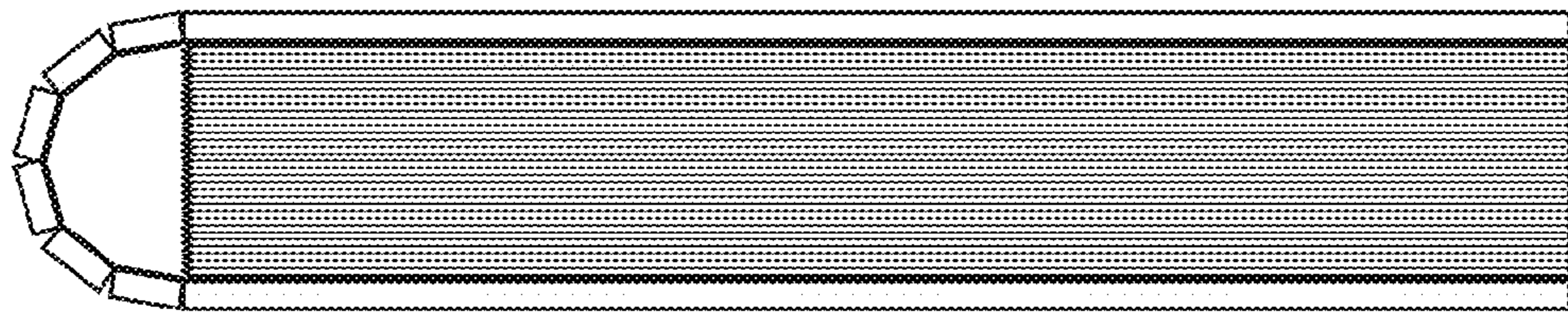


Fig. 6

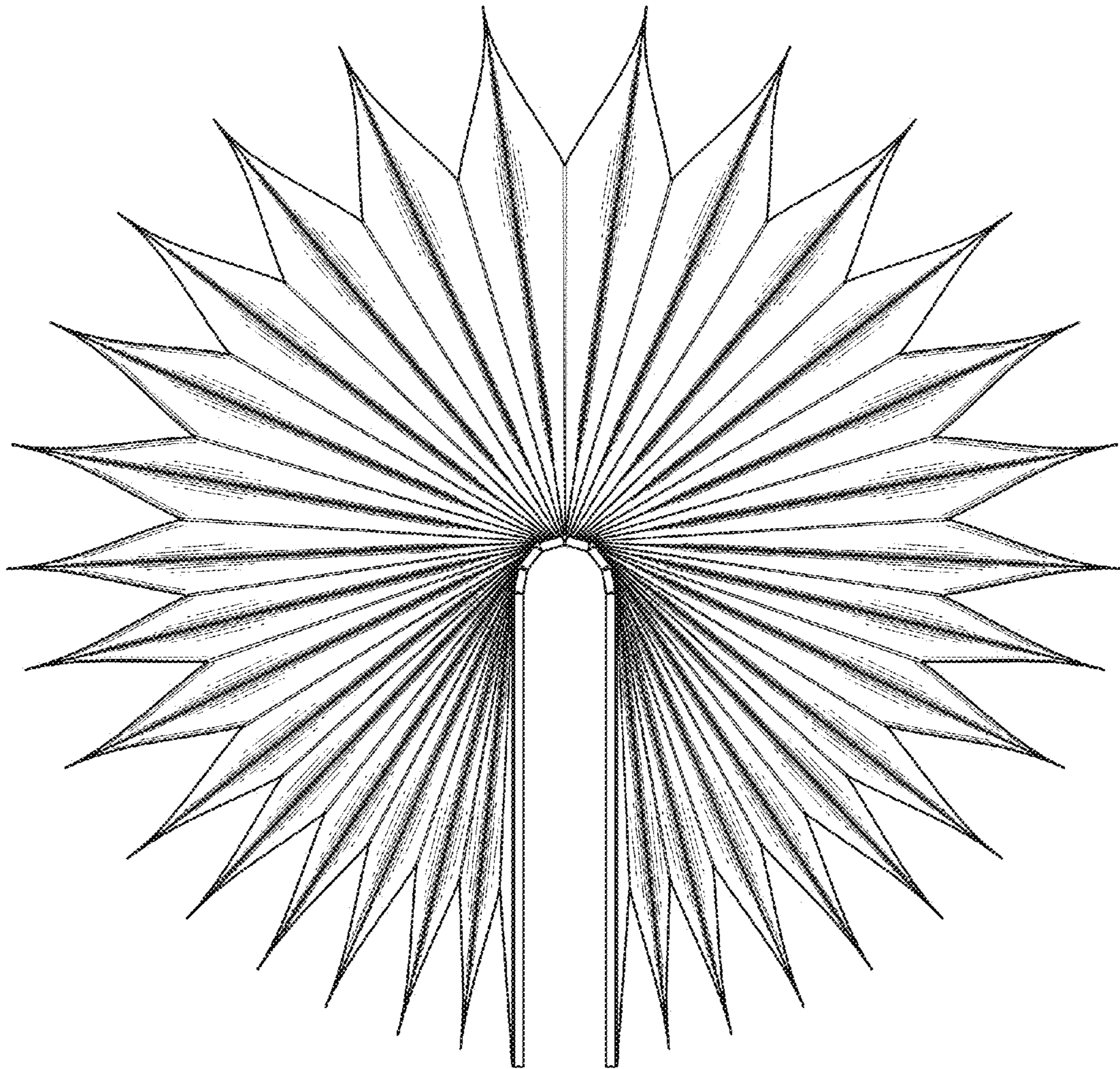


Fig. 7

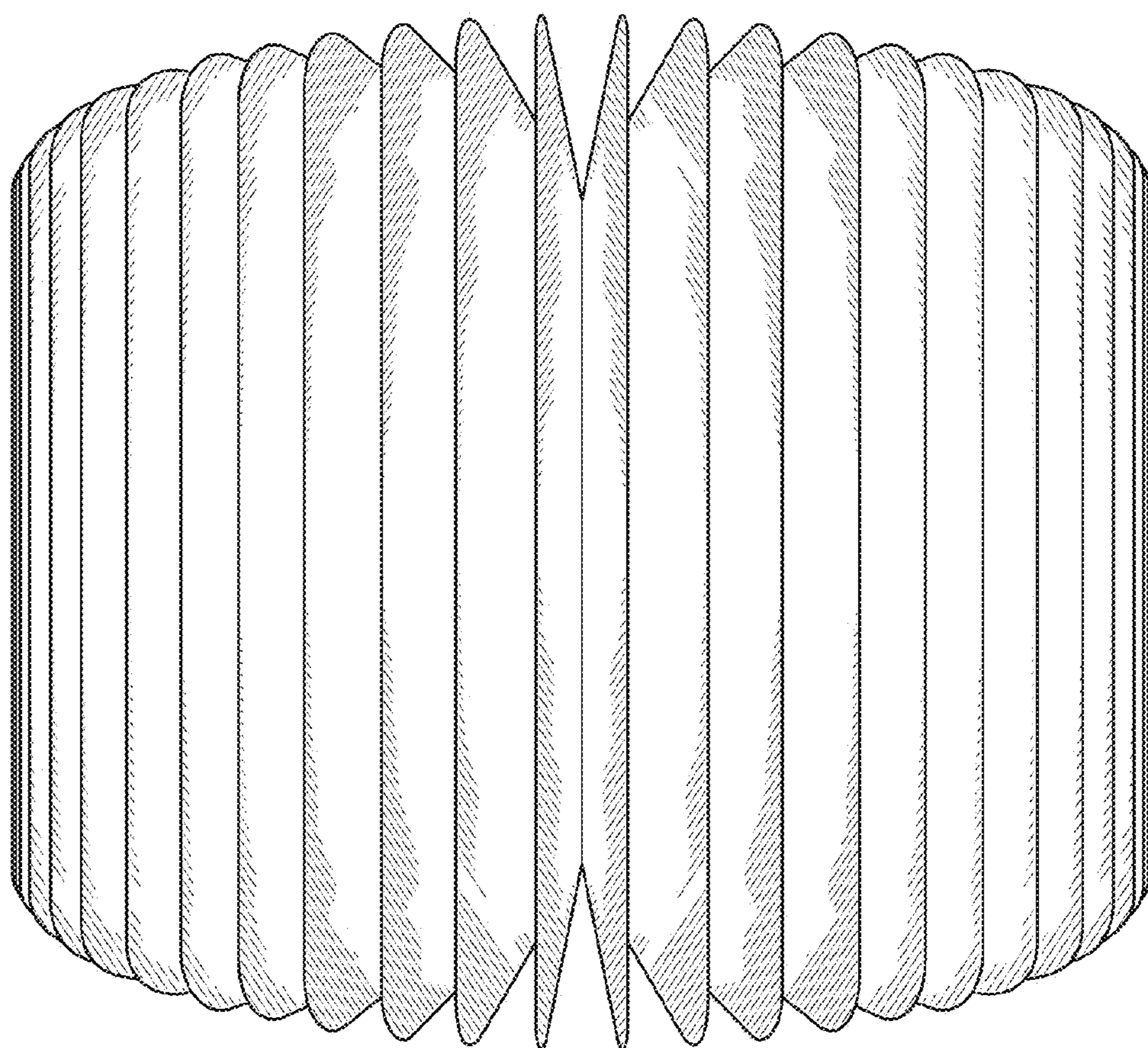


Fig. 8