



US00D727552S

(12) **United States Design Patent**  
**Stolte et al.**

(10) **Patent No.:** **US D727,552 S**  
(45) **Date of Patent:** **\*\* Apr. 21, 2015**

- (54) **LIGHTING FIXTURE**
- (71) Applicant: **Kenall Manufacturing Company**,  
Gurnee, IL (US)
- (72) Inventors: **Brandon Stolte**, Lindenhurst, IL (US);  
**Brad Wilson**, Twin Lakes, WI (US)
- (73) Assignee: **Kenall Manufacturing Company**,  
Gurnee, IL (US)
- (\*\*) Term: **14 Years**
- (21) Appl. No.: **29/462,841**
- (22) Filed: **Aug. 8, 2013**
- (51) **LOC (10) Cl.** ..... **26-03**
- (52) **U.S. Cl.**  
USPC ..... **D26/89**
- (58) **Field of Classification Search**  
USPC ..... D26/72, 85, 89, 119, 128; 362/147,  
362/350, 404-408, 453-456  
See application file for complete search history.

D599,040 S *	8/2009	Alexander et al. ....	D26/1
D625,038 S	10/2010	Yoo	
D634,053 S	3/2011	Guercio	
D634,057 S	3/2011	Nguyen et al.	
D639,488 S *	6/2011	Yoshida et al. ....	D26/89
D639,996 S	6/2011	Stolte et al.	
D652,980 S	1/2012	Yoshida et al.	
D655,849 S	3/2012	Sabernig	
D657,088 S	4/2012	Miro	
D666,350 S	8/2012	Lee	
8,240,885 B2 *	8/2012	Miller .....	362/294
8,272,765 B2 *	9/2012	Ter-Hovhannisyan .....	362/294
D668,811 S	10/2012	Peter	
D673,322 S *	12/2012	Van De Ven et al. ....	D26/113
D680,261 S *	4/2013	Kong et al. ....	D26/113
D698,989 S *	2/2014	Dungan et al. ....	D26/128
2012/0176792 A1	7/2012	Stolte et al.	
2012/0176797 A1	7/2012	Stolte et al.	

\* cited by examiner

*Primary Examiner* — Clare E Heflin

(74) *Attorney, Agent, or Firm* — Marshall, Gerstein & Borun LLP

(57) **CLAIM**

The ornamental design for a lighting fixture, as shown and described.

(56) **References Cited**

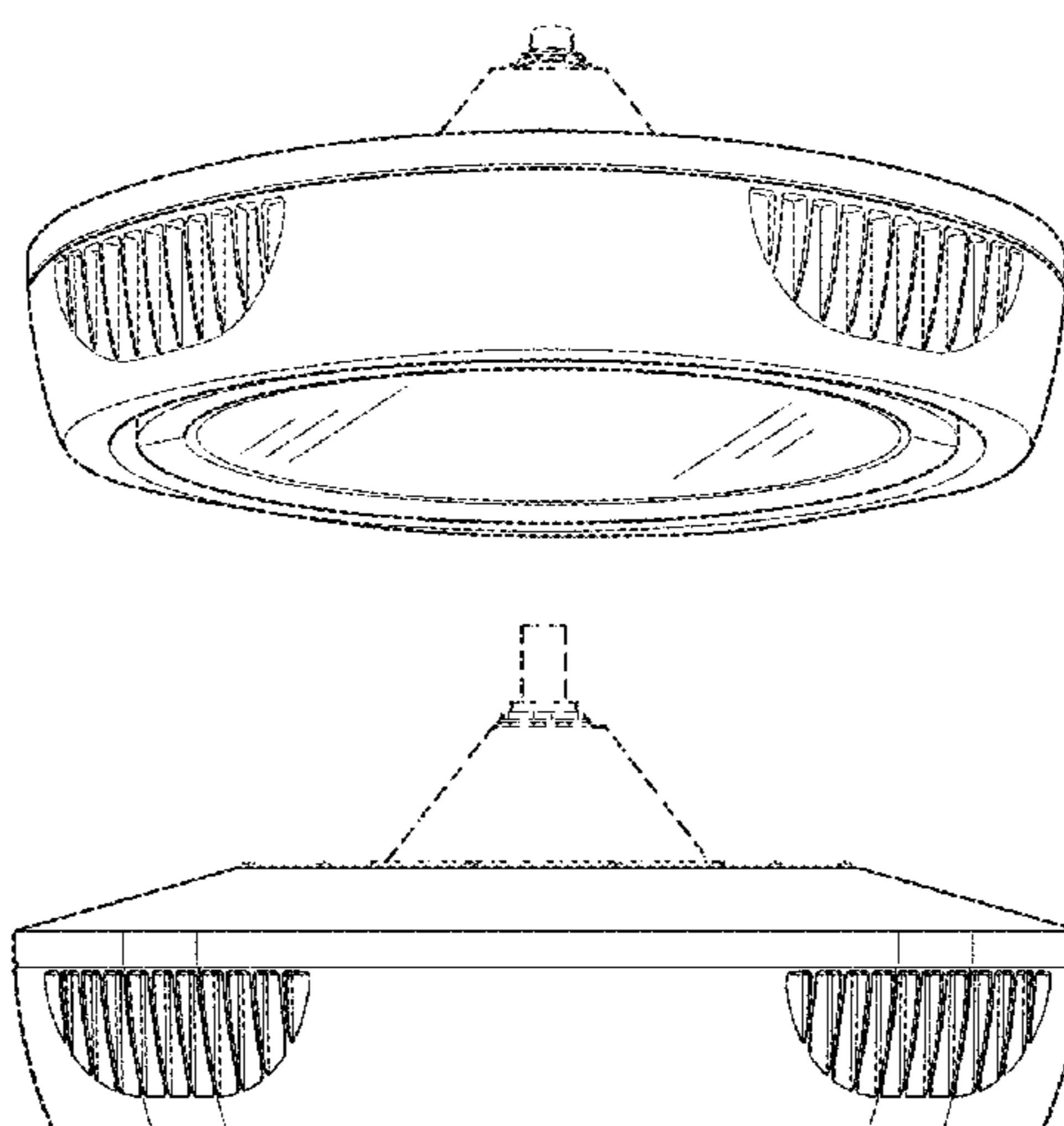
U.S. PATENT DOCUMENTS

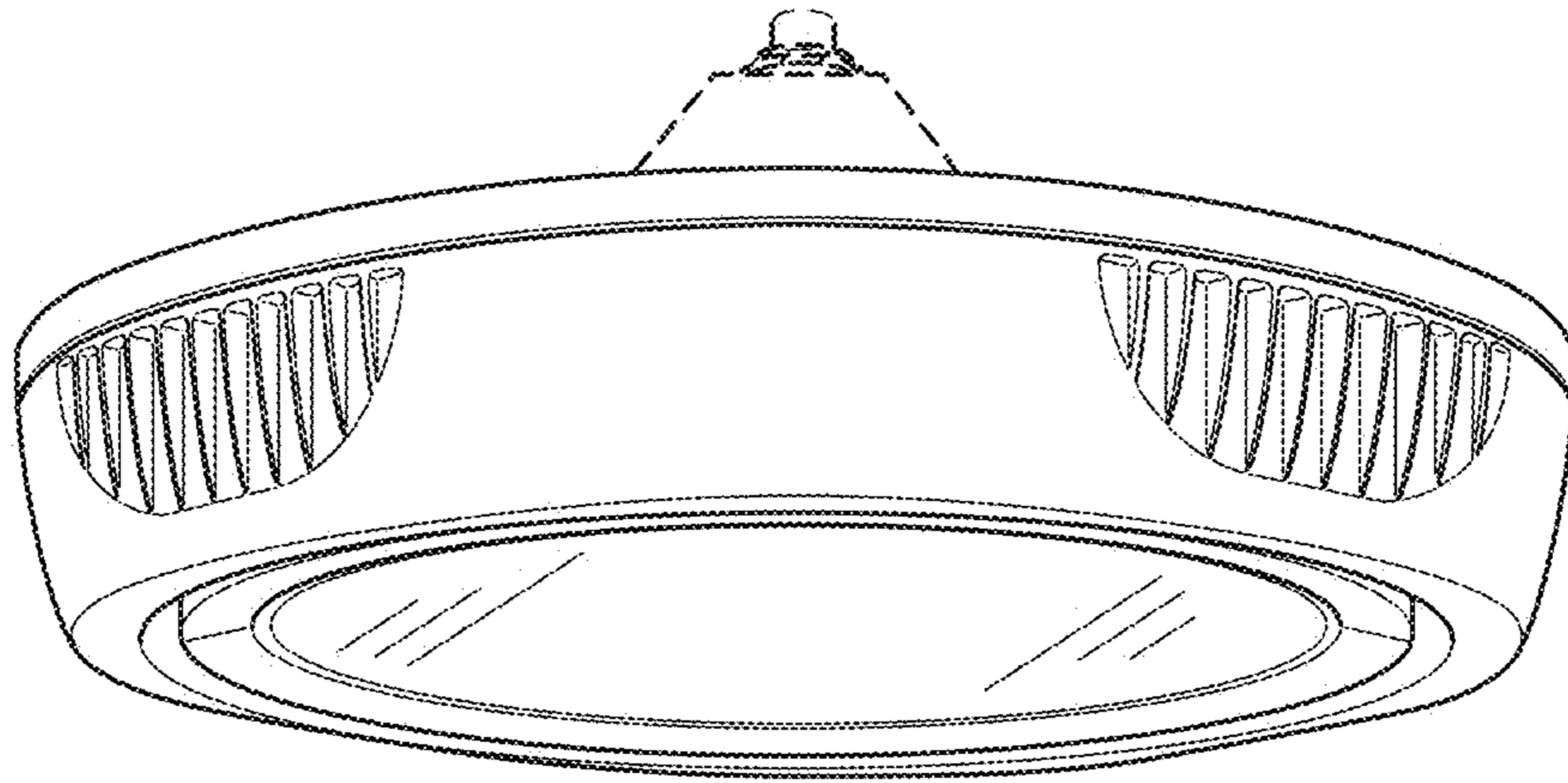
D200,118 S	1/1965	Van Steenhoven	
D228,795 S	10/1973	Peasley	
4,914,182 A	4/1990	Pfeifer et al.	
5,486,989 A *	1/1996	Compton .....	362/291
D402,382 S	12/1998	Pearce et al.	
D406,377 S	3/1999	Pearce et al.	
D443,713 S	6/2001	Benensohn	
D447,829 S *	9/2001	Bradford et al. ....	D26/85
6,561,670 B1 *	5/2003	Jongewaard et al. ....	362/147
6,623,143 B2	9/2003	Anderson	
7,144,135 B2	12/2006	Martin et al.	
D551,795 S	9/2007	Compton et al.	
D567,773 S	4/2008	Kamada	
D571,034 S	6/2008	Goetz-Schaefer	
7,445,362 B2 *	11/2008	Compton et al. ....	362/346
D583,984 S *	12/2008	Takahashi et al. ....	D26/89

**DESCRIPTION**

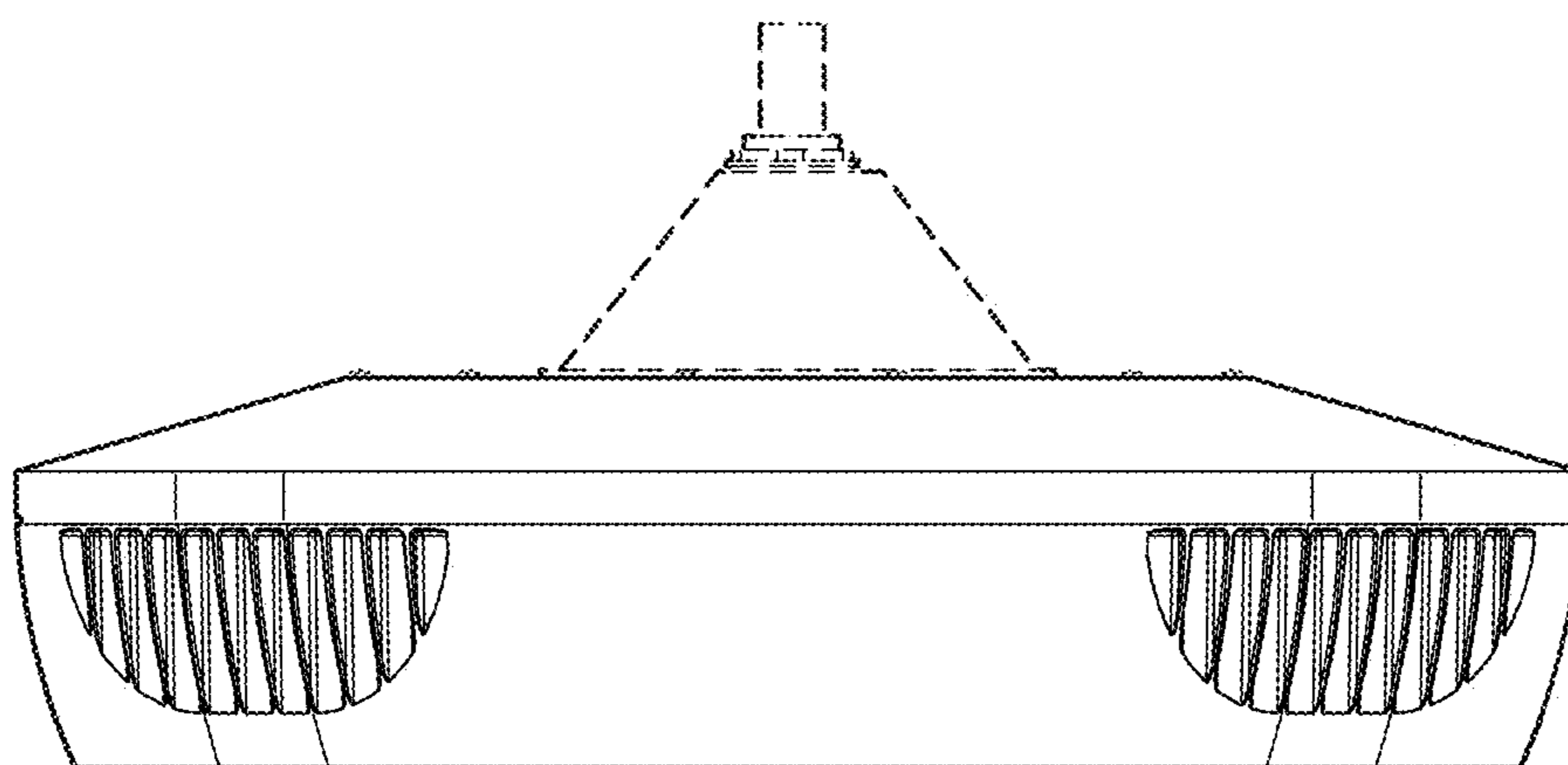
FIG. 1 is a perspective view showing a new design for a lighting fixture;  
FIG. 2 is a front view of the lighting fixture of FIG. 1;  
FIG. 3 is a right side view of the lighting fixture of FIG. 1;  
FIG. 4 is a rear view of the lighting fixture of FIG. 1;  
FIG. 5 is a left side view of the lighting fixture of FIG. 1;  
FIG. 6 is a top plan view of the lighting fixture of FIG. 1; and,  
FIG. 7 is a bottom plan view of the lighting fixture of FIG. 1.  
The broken lines showing portions of the lighting fixture are included for the purpose of illustrating environment and form no part of the claimed design.

**1 Claim, 4 Drawing Sheets**

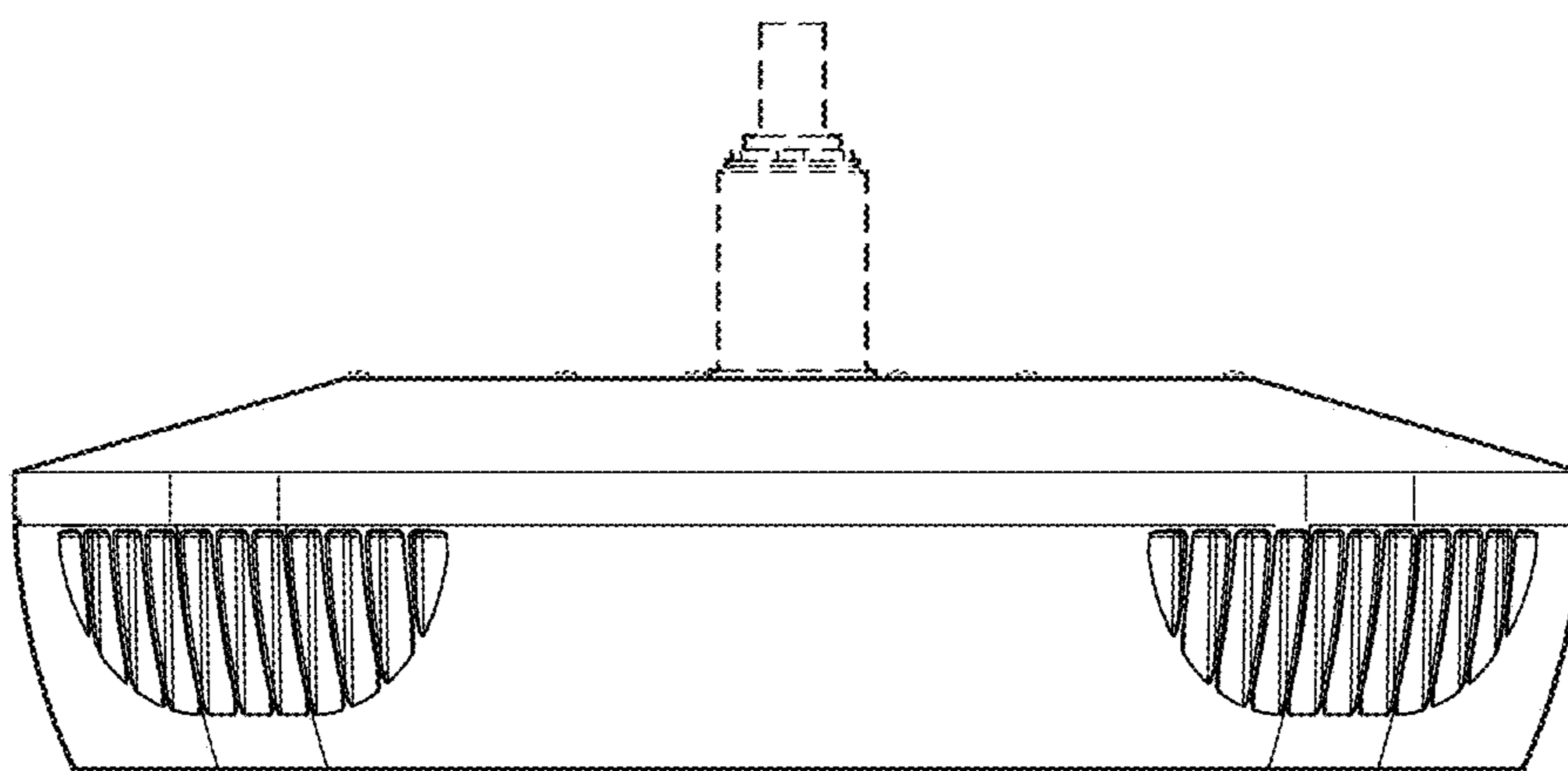




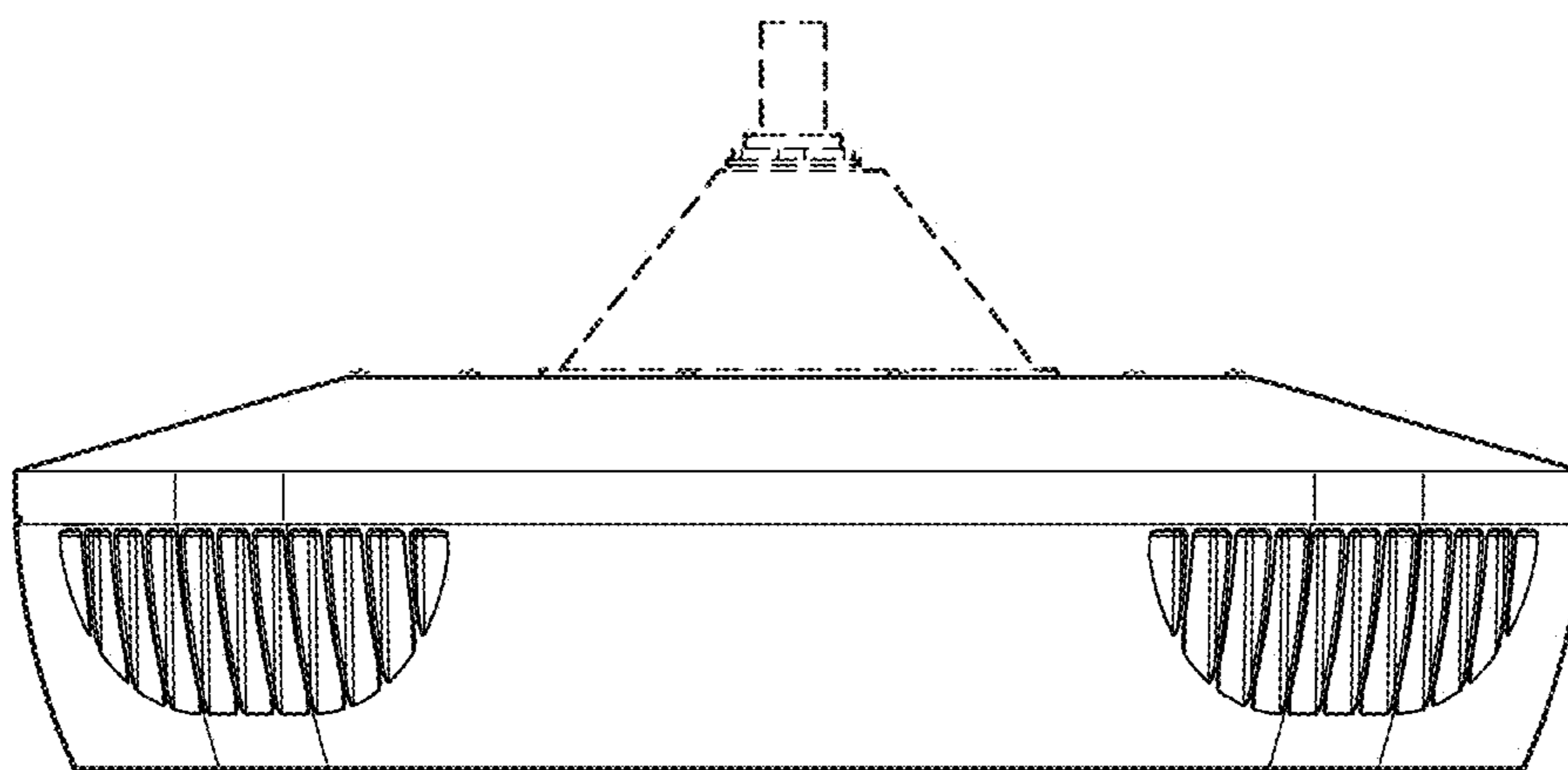
**FIG. 1**



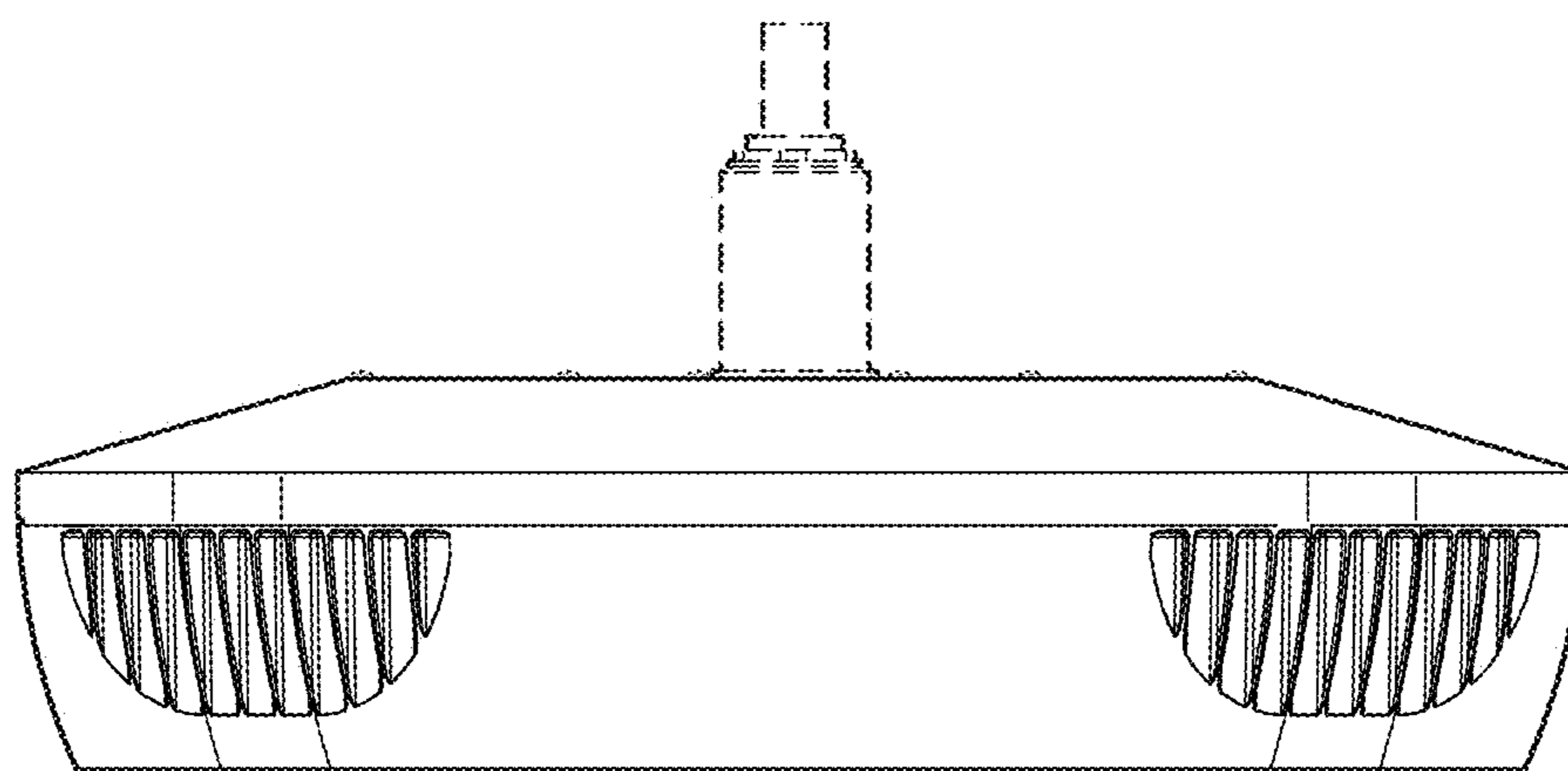
**FIG. 2**



**FIG. 3**



**FIG. 4**



**FIG. 5**

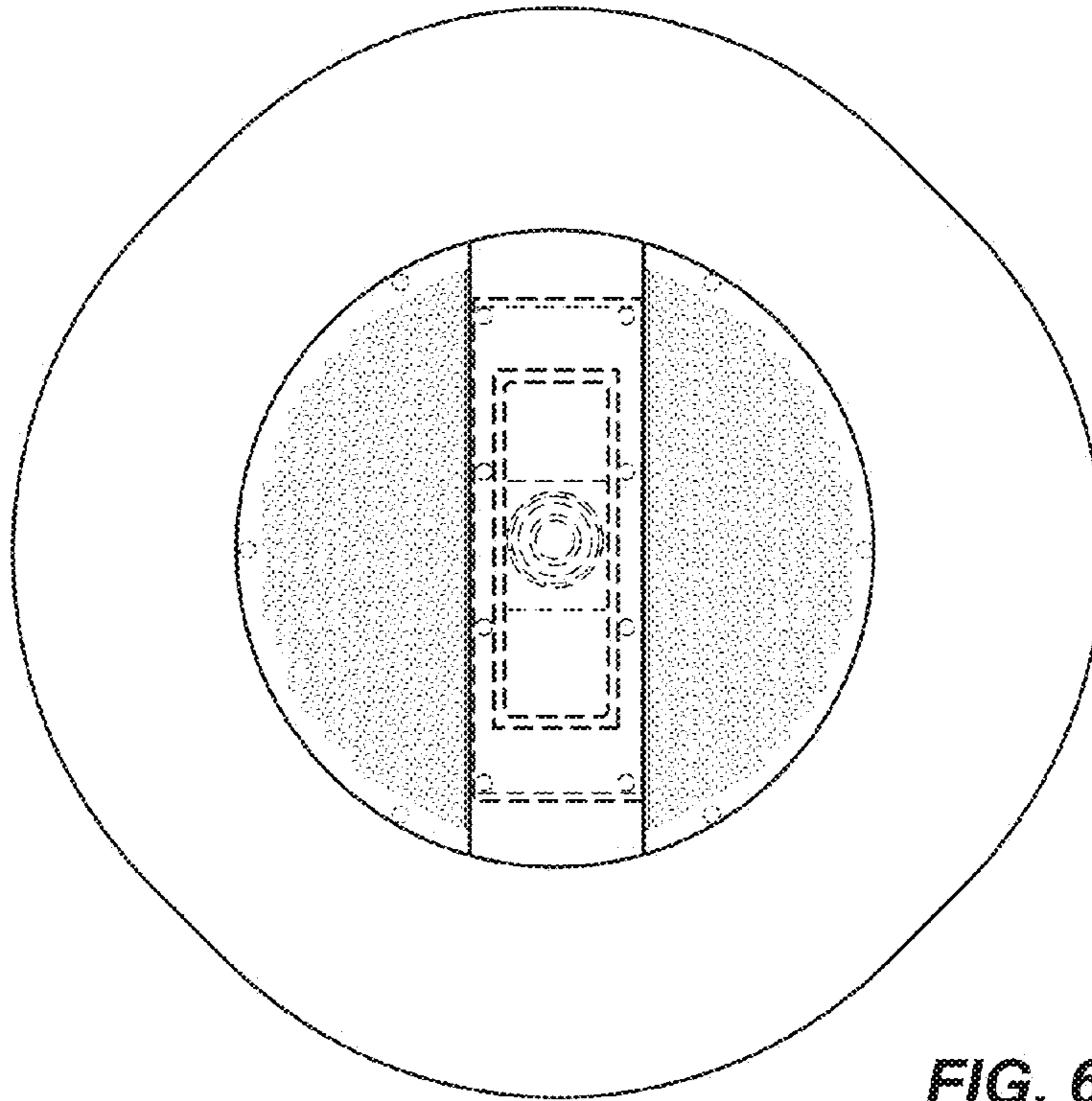


FIG. 6

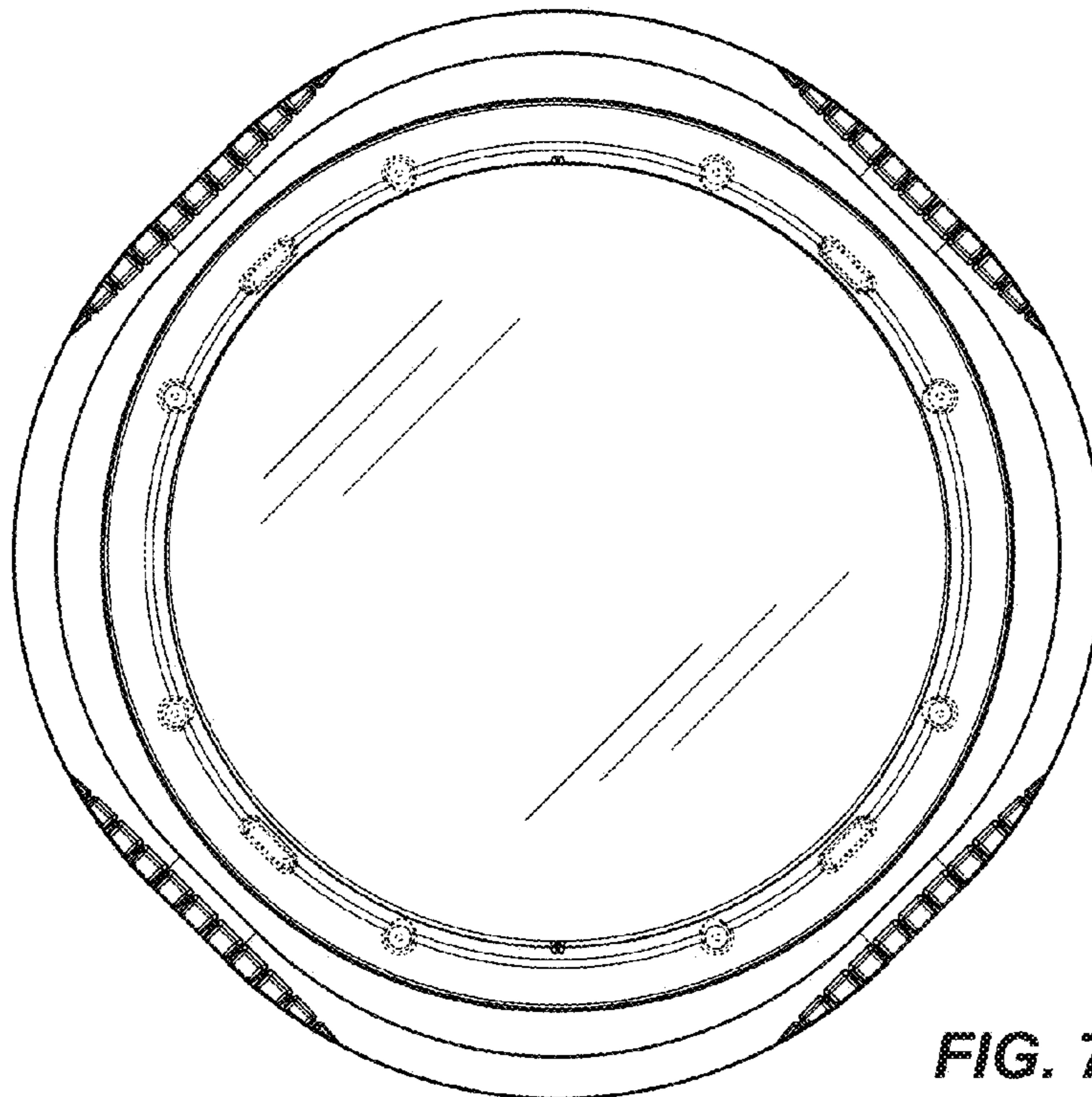


FIG. 7