



US00D727551S

(12) **United States Design Patent**
Clark et al.

(10) **Patent No.:** **US D727,551 S**
(45) **Date of Patent:** **** *Apr. 21, 2015**

(54) **TOP AND BOTTOM GLOW LINEAR LIGHT FIXTURE**

(71) Applicants: **Walter Blue Clark**, Palo Alto, CA (US);
Johannes Dale Toale, San Jose, CA (US); **David Daoud Aziz**, Hayward, CA (US)

(72) Inventors: **Walter Blue Clark**, Palo Alto, CA (US);
Johannes Dale Toale, San Jose, CA (US); **David Daoud Aziz**, Hayward, CA (US)

(73) Assignee: **Fine Lite Inc.**, Union City, CA (US)

(*) Notice: This patent is subject to a terminal disclaimer.

(**) Term: **14 Years**

(21) Appl. No.: **29/463,826**

(22) Filed: **Mar. 14, 2014**

Related U.S. Application Data

(63) Continuation-in-part of application No. 13/507,542, filed on Jul. 9, 2012.

(51) **LOC (10) Cl.** **26-03**

(52) **U.S. Cl.**
USPC **D26/88**

(58) **Field of Classification Search**
USPC D26/72, 75-78, 118, 120, 122;
362/147, 217.01-217.12, 218,
362/221-225, 345
See application file for complete search history.

(56) **References Cited**

U.S. PATENT DOCUMENTS

D127,379 S *	5/1941	Parisson	D26/76
D150,830 S *	9/1948	Duepner	D26/77
4,045,665 A *	8/1977	Williams et al.	362/355
4,065,667 A *	12/1977	Ruud et al.	362/217.16
4,078,169 A *	3/1978	Armstrong	362/122

4,109,305 A *	8/1978	Claussen et al.	362/418
4,477,863 A *	10/1984	Walz	362/84
D291,928 S *	9/1987	Morten	D26/76
5,060,125 A *	10/1991	Cowie et al.	362/218
D337,845 S *	7/1993	Belic	D26/76
5,386,353 A *	1/1995	Battaglia	362/224
D397,818 S *	9/1998	Herst et al.	D26/76
5,913,477 A *	6/1999	Dean	239/289
D473,670 S *	4/2003	Kelmelis et al.	D26/74
D497,448 S *	10/2004	Kuebler	D26/76
D599,945 S *	9/2009	Pfund	D26/76
D603,548 S *	11/2009	Pei et al.	D26/76
D610,293 S *	2/2010	Klaus	D26/76
D619,292 S *	7/2010	Pei et al.	D26/76
D621,989 S *	8/2010	Proner	D26/76
D624,229 S *	9/2010	Adolph	D26/76
D629,553 S *	12/2010	Gielen	D26/76
D629,554 S *	12/2010	Gielen	D26/76
D637,753 S *	5/2011	Ng et al.	D26/78
D695,443 S *	12/2013	Kaule et al.	D26/76
D700,732 S *	3/2014	Clark et al.	D26/88
D702,390 S *	4/2014	Clark et al.	D26/76
D702,391 S *	4/2014	Clark et al.	D26/76

* cited by examiner

Primary Examiner — Clare E Heflin

(74) *Attorney, Agent, or Firm* — James A. Gavney, Jr.; JAG Patent Services

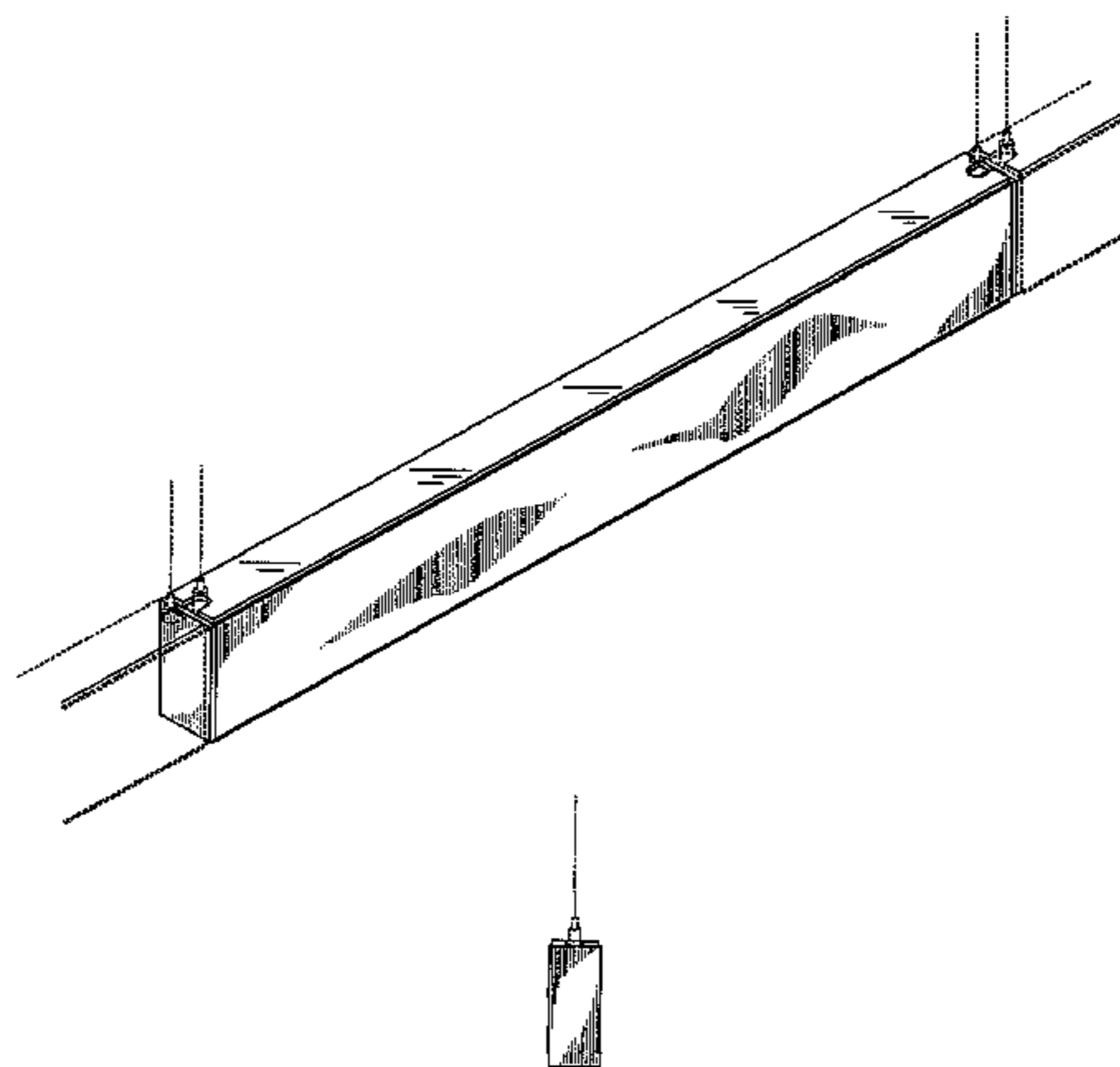
(57) **CLAIM**

I claim the ornamental design for a top and bottom glow linear light fixture, as shown and described.

DESCRIPTION

FIG. 1 is a perspective view of a top and bottom glow linear light fixture showing my new design;
 FIG. 2 is a front or a back view of the top and bottom glow linear light fixture thereof;
 FIG. 3 is a top view of the top and bottom glow linear light fixture thereof;
 FIG. 4 is a bottom view of the top and bottom glow linear light fixture thereof; and,
 FIG. 5 is a right side or a left side view of the top and bottom glow linear light fixture thereof.
 The broken lines shown on the drawings depict environment and form no part of the claimed design.

1 Claim, 2 Drawing Sheets



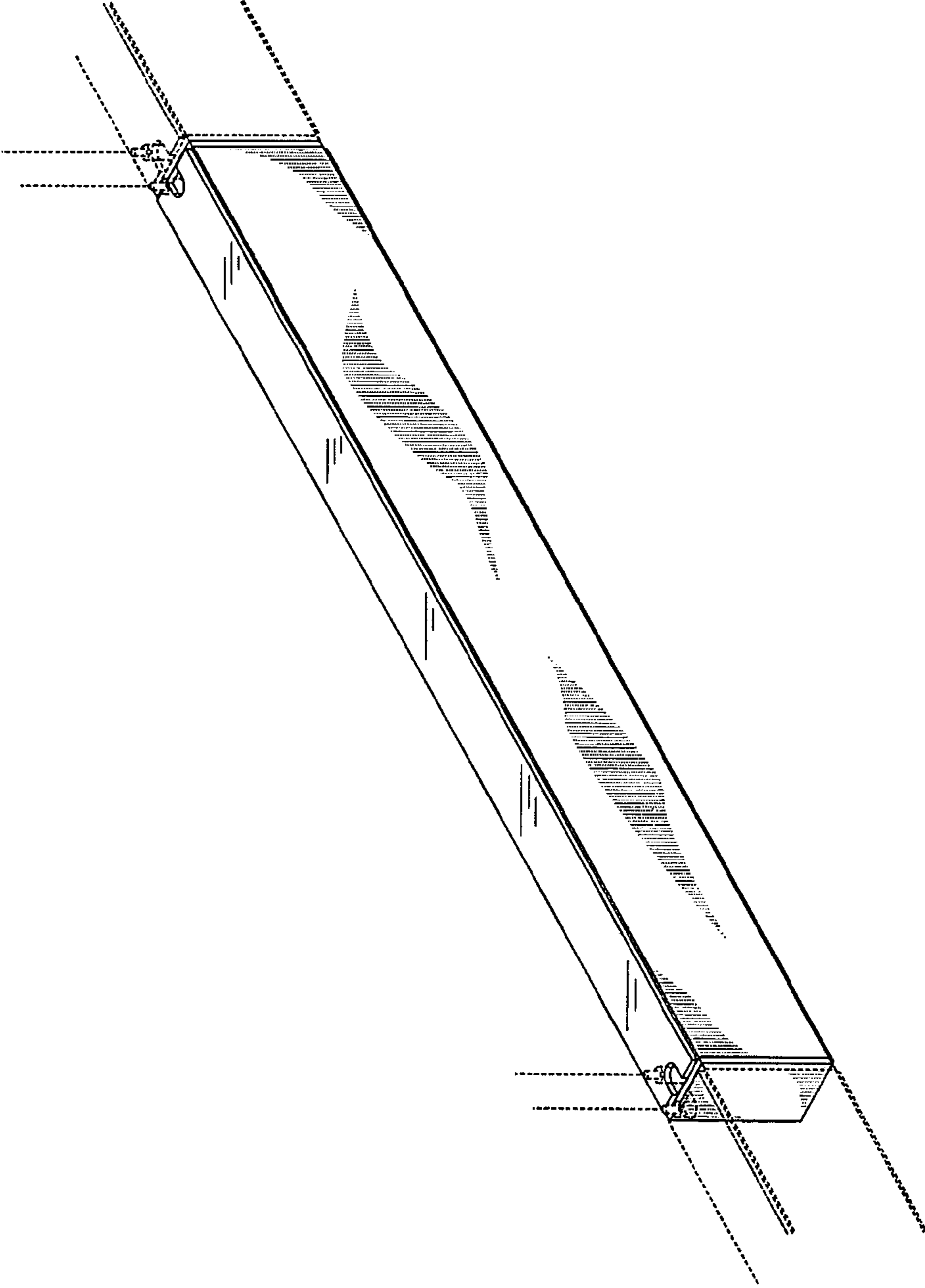


FIG. 1

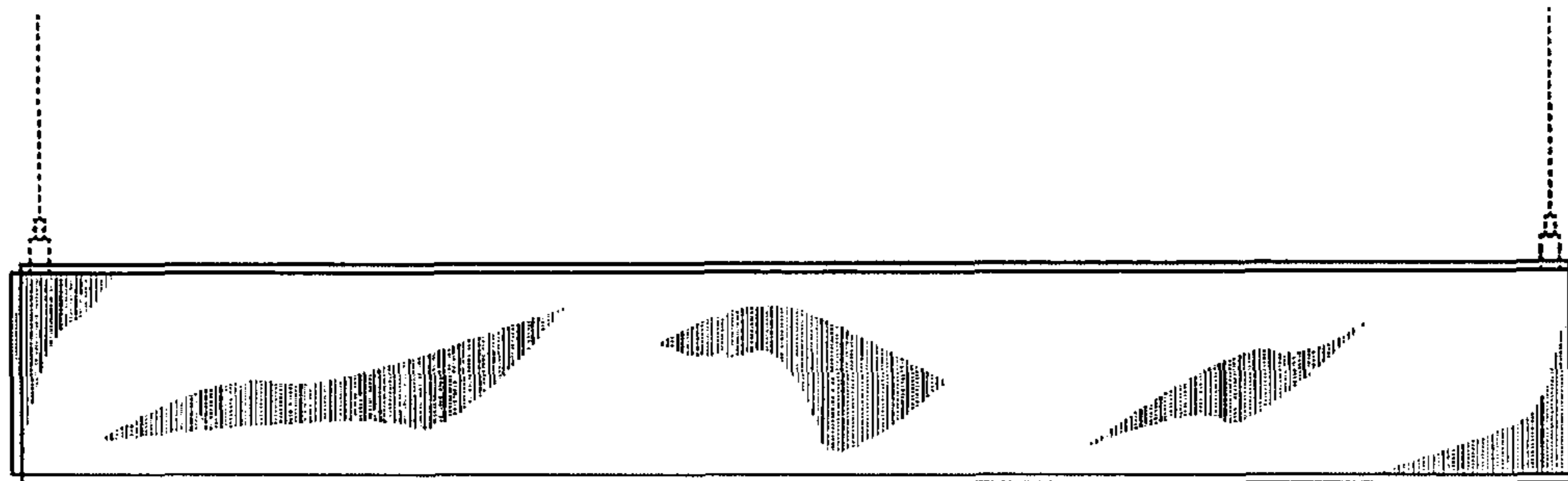


FIG. 2

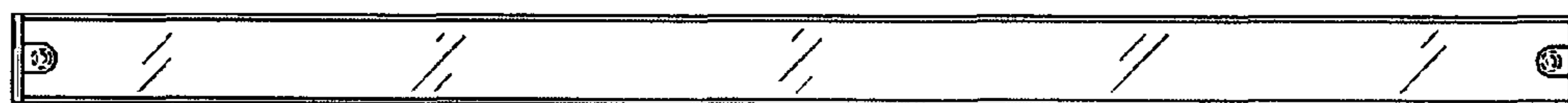


FIG. 3



FIG. 4



FIG. 5