

US00D727550S

(12) **United States Design Patent**
Clark et al.

(10) **Patent No.:** **US D727,550 S**
(45) **Date of Patent:** **** *Apr. 21, 2015**

(54) **BOTTOM GLOW LINEAR LIGHT FIXTURE**

(71) Applicants: **Walter Blue Clark**, Palo Alto, CA (US);
Johannes Dale Toale, San Jose, CA
(US); **David Daoud Aziz**, Hayward, CA
(US)

(72) Inventors: **Walter Blue Clark**, Palo Alto, CA (US);
Johannes Dale Toale, San Jose, CA
(US); **David Daoud Aziz**, Hayward, CA
(US)

(73) Assignee: **Finelite Inc.**, Union City, CA (US)

(*) Notice: This patent is subject to a terminal disclaimer.

(**) Term: **14 Years**

(21) Appl. No.: **29/463,825**

(22) Filed: **Mar. 14, 2014**

Related U.S. Application Data

(63) Continuation-in-part of application No. 13/507,542,
filed on Jul. 9, 2012.

(51) **LOC (10) CL.** **26-03**

(52) **U.S. CL.**
USPC **D26/88**

(58) **Field of Classification Search**
USPC D26/72, 75-78, 118, 120, 122;
362/147, 217.01-217.12, 218,
362/221-225, 345
See application file for complete search history.

(56) **References Cited**

U.S. PATENT DOCUMENTS

D127,379	S	*	5/1941	Parisson	D26/76
D150,830	S	*	9/1948	Duepner	D26/77
4,045,665	A	*	8/1977	Williams et al.	362/355
4,065,667	A	*	12/1977	Ruud et al.	362/217.16
4,078,169	A	*	3/1978	Armstrong	362/122
4,109,305	A	*	8/1978	Claussen et al.	362/418

4,477,863	A	*	10/1984	Walz	362/84
D291,928	S	*	9/1987	Morten	D26/76
5,060,125	A	*	10/1991	Cowie et al.	362/218
D337,845	S	*	7/1993	Belic	D26/76
5,386,353	A	*	1/1995	Battaglia	362/224
D397,818	S	*	9/1998	Herst et al.	D26/76
5,913,477	A	*	6/1999	Dean	239/289
D473,670	S	*	4/2003	Kelmelis et al.	D26/74
D497,448	S	*	10/2004	Kuebler	D26/78
D599,945	S	*	9/2009	Pfund	D26/76
D603,548	S	*	11/2009	Pei et al.	D26/76
D610,293	S	*	2/2010	Klaus	D26/76
D619,292	S	*	7/2010	Pei et al.	D26/76
D621,989	S	*	8/2010	Proner	D26/76
D624,229	S	*	9/2010	Adolph	D26/76
D629,553	S	*	12/2010	Gielen	D26/76
D629,554	S	*	12/2010	Gielen	D26/76
D637,753	S	*	5/2011	Ng et al.	D26/78
D695,443	S	*	12/2013	Kaule et al.	D26/76
D700,732	S	*	3/2014	Clark et al.	D26/88
D702,390	S	*	4/2014	Clark et al.	D26/76
D702,391	S	*	4/2014	Clark et al.	D26/76

* cited by examiner

Primary Examiner — Clare E Helfin

(74) *Attorney, Agent, or Firm* — James A. Gavney, Jr.; JAG
Patent Services

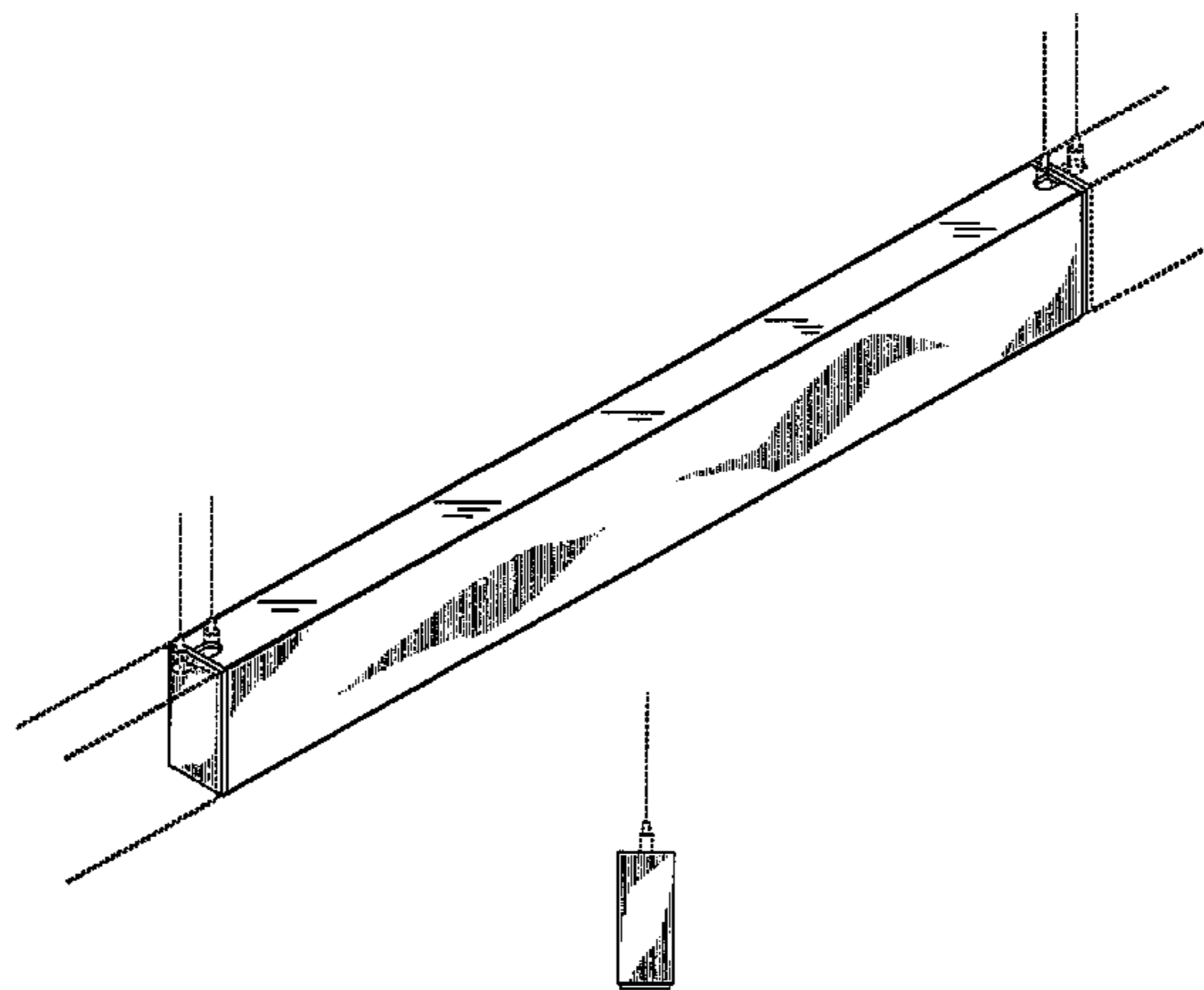
(57) **CLAIM**

We claim the ornamental design for a bottom glow linear light
fixture, as shown and described.

DESCRIPTION

FIG. 1 is a perspective view of a bottom glow linear light
fixture showing my new design;
FIG. 2 is a front or a back view of the bottom glow linear light
fixture thereof;
FIG. 3 is a top view of the bottom glow linear light fixture
thereof;
FIG. 4 is a bottom view of the bottom glow linear light fixture
thereof; and,
FIG. 5 is a right side or a left side view of the bottom glow
linear light fixture thereof.
The broken lines shown on the drawings depict environment
and form no part of the claimed design.

1 Claim, 2 Drawing Sheets



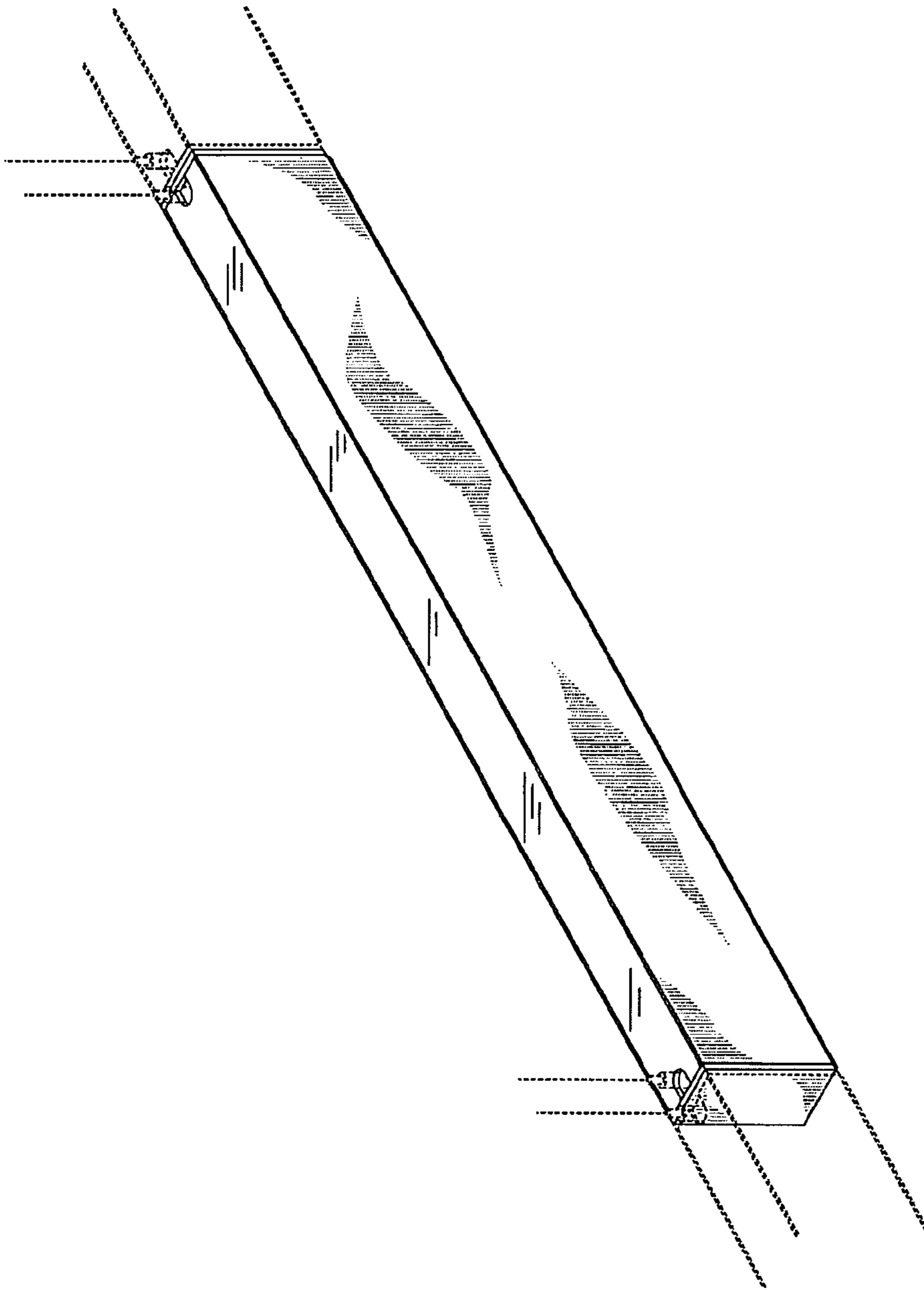


FIG. 1

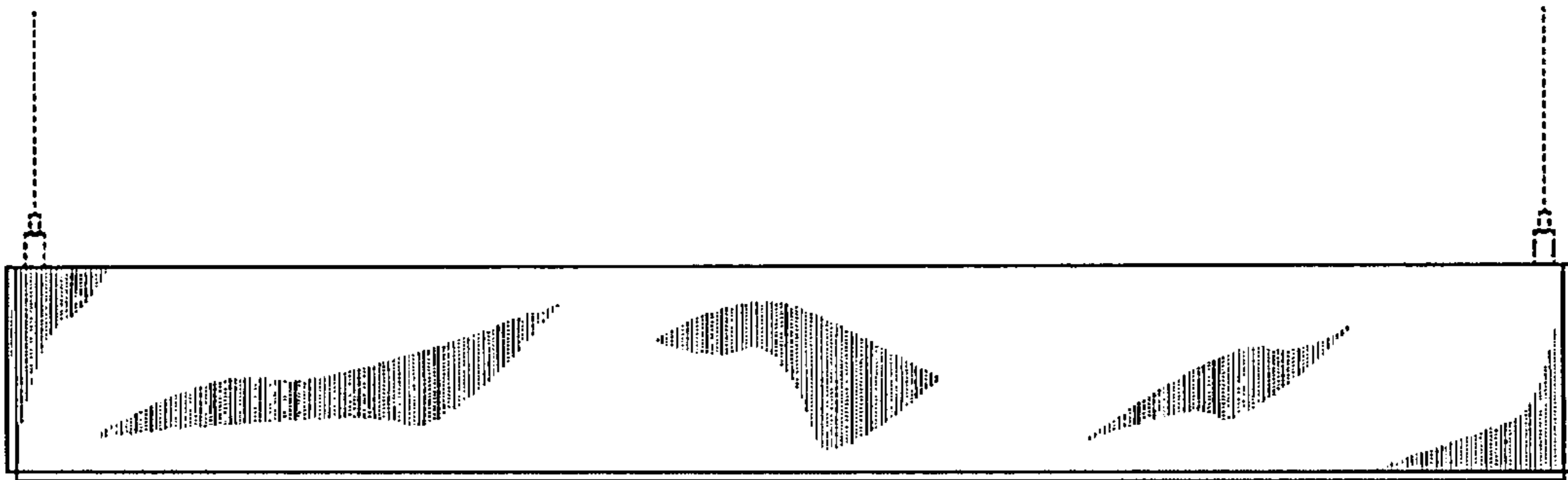


FIG. 2



FIG. 3



FIG. 4



FIG. 5