



US00D727549S

(12) **United States Design Patent**  
**Wang**

(10) **Patent No.:** **US D727,549 S**

(45) **Date of Patent:** **\*\* Apr. 21, 2015**

(54) **WALL LAMP**

(71) Applicant: **Xiamen Xing HengLong Lighting Technology Co., Ltd.**, Xiamen (CN)

(72) Inventor: **Hongyan Wang**, Xiamen (CN)

(73) Assignee: **Xiamen Xing Henglong Lighting Technology Co., Ltd.**, Xiamen (CN)

(\*\*) Term: **14 Years**

(21) Appl. No.: **29/492,416**

(22) Filed: **May 30, 2014**

(51) **LOC (10) Cl.** ..... **26-03**

(52) **U.S. Cl.**  
USPC ..... **D26/85; D26/89**

(58) **Field of Classification Search**  
USPC ..... **D26/28, 72, 85, 89; 362/147, 287, 373, 362/453-456**

See application file for complete search history.

(56) **References Cited**

**U.S. PATENT DOCUMENTS**

D229,090 S *	11/1973	Anderson	.....	D26/85
D240,320 S *	6/1976	Anderson	.....	D26/85
D343,244 S *	1/1994	Belisle	.....	D26/85

D417,747 S *	12/1999	Pahl	.....	D26/118
6,367,945 B2 *	4/2002	Quiogue et al.	.....	362/147
D468,049 S *	12/2002	Ries et al.	.....	D26/89
D482,816 S *	11/2003	Packer et al.	.....	D26/89
D509,617 S *	9/2005	Benghozi	.....	D26/89
D641,517 S *	7/2011	Sprengers	.....	D26/89
D655,849 S *	3/2012	Sabernig	.....	D26/85
8,167,468 B1 *	5/2012	Olsson et al.	.....	362/477
D688,408 S *	8/2013	Wung et al.	.....	D26/88
D695,945 S *	12/2013	Wright	.....	D26/89

\* cited by examiner

*Primary Examiner* — Clare E Heflin

(74) *Attorney, Agent, or Firm* — Wang Law Firm, Inc.; Li K. Wang; Stephen Hsu

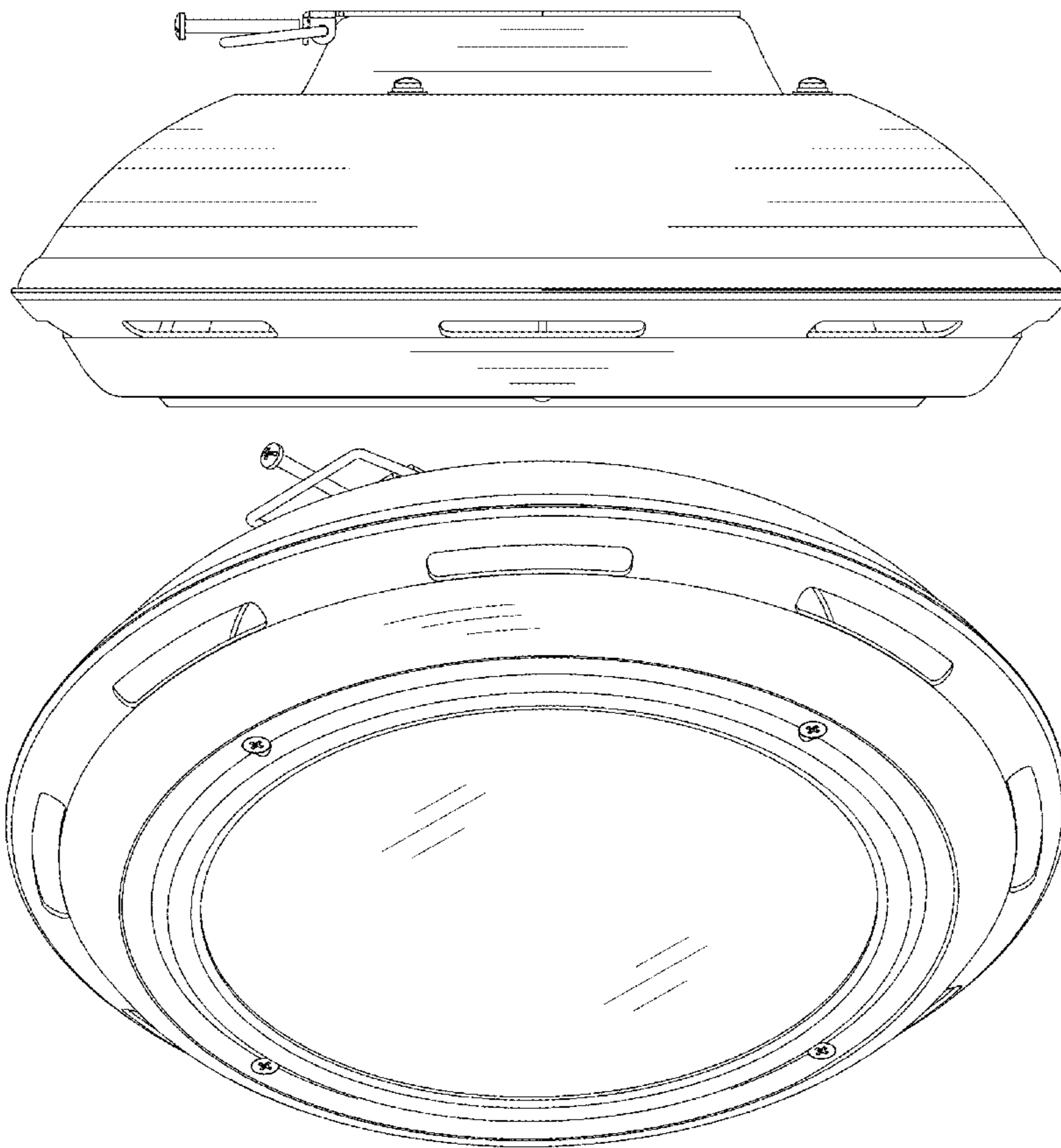
(57) **CLAIM**

The ornamental design for a wall lamp, as shown and described.

**DESCRIPTION**

FIG. 1 is a front view of a wall lamp showing my new design; FIG. 2 is a rear view thereof; FIG. 3 is a left side view thereof; FIG. 4 is a right side view thereof; FIG. 5 is a top plan view thereof; FIG. 6 is a bottom plan view thereof; and, FIG. 7 is a perspective view thereof. The broken lines shown on the drawings depict portions of the wall lamp that form no part of the claimed design.

**1 Claim, 7 Drawing Sheets**



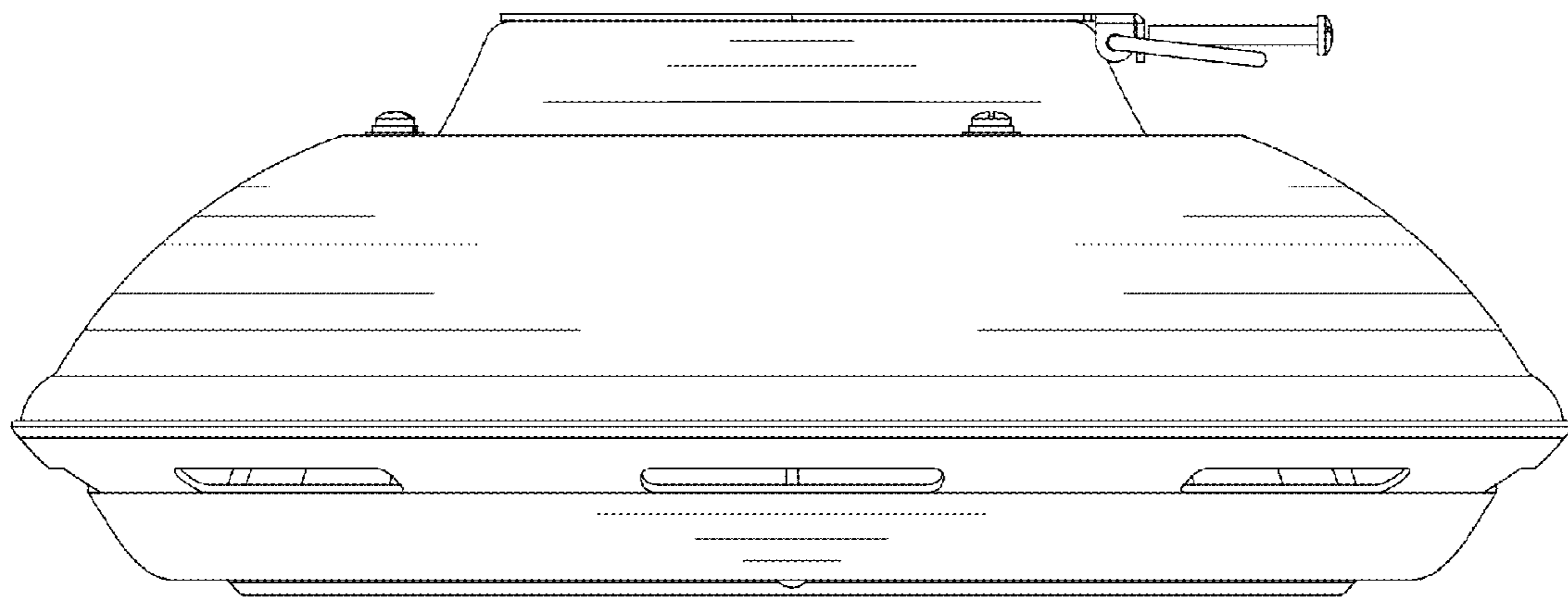


FIG. 1

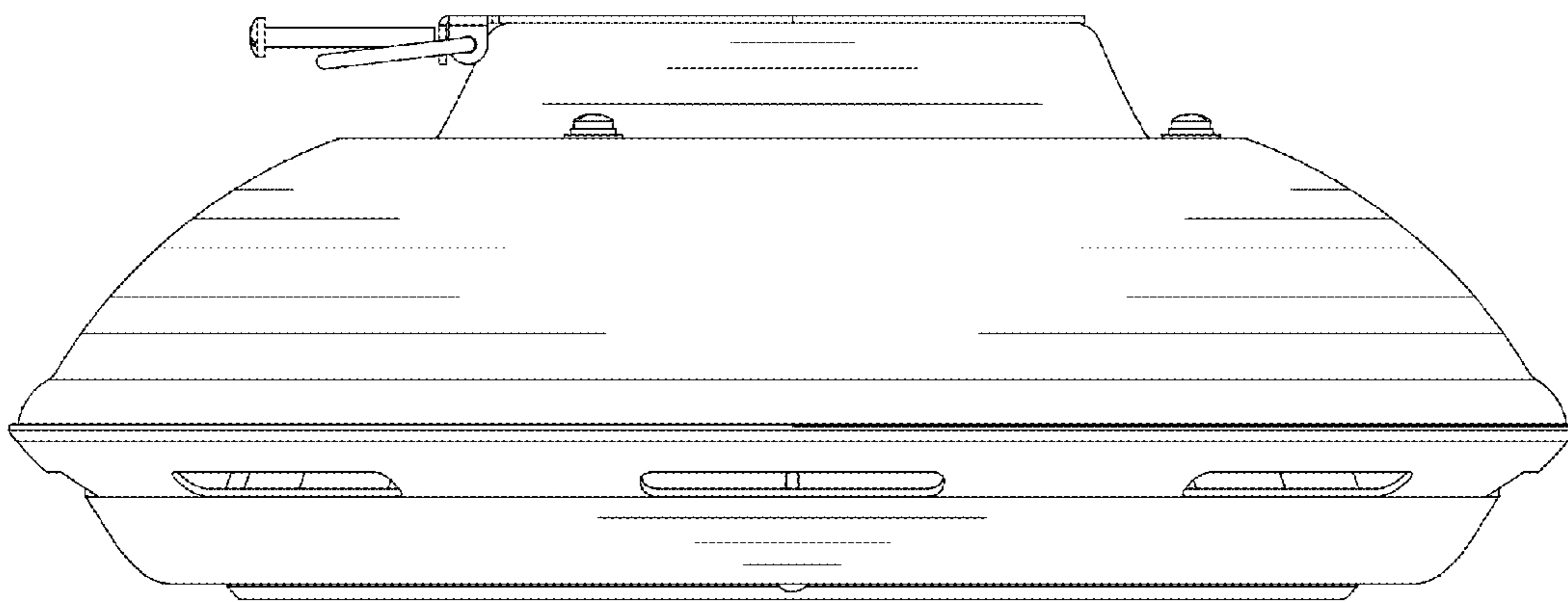


FIG. 2

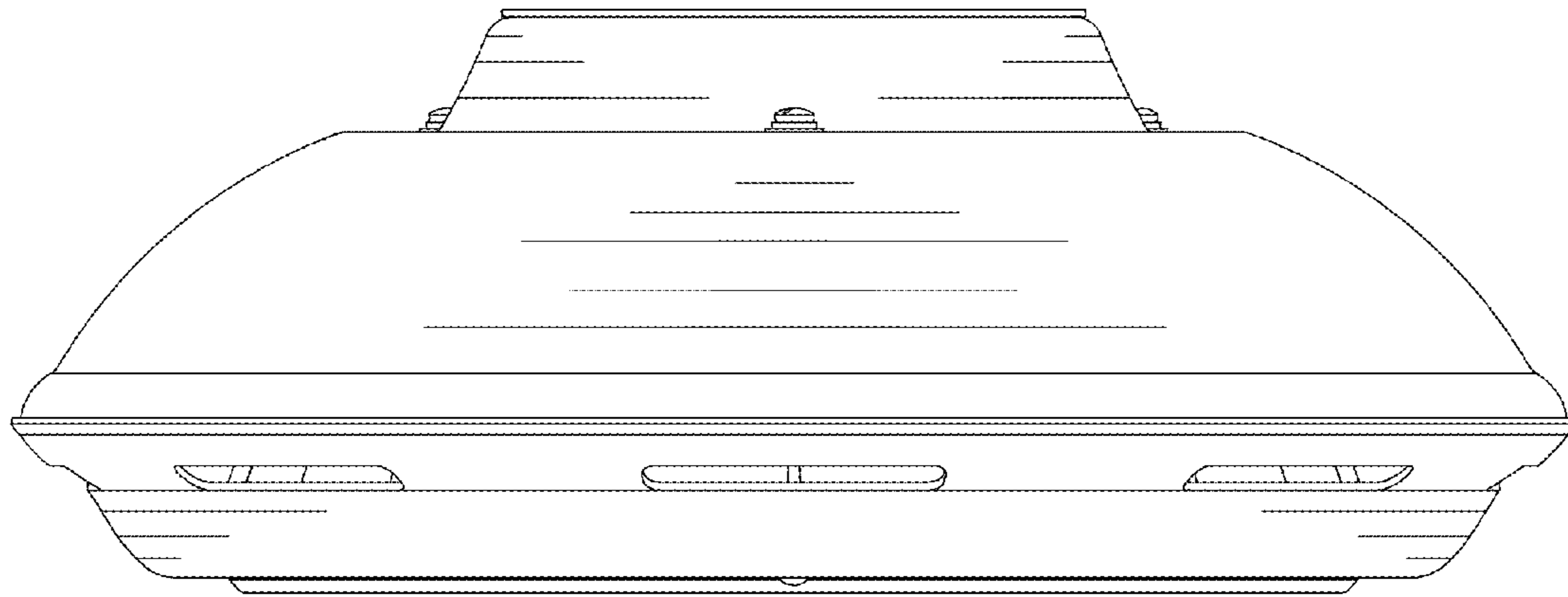


FIG. 3

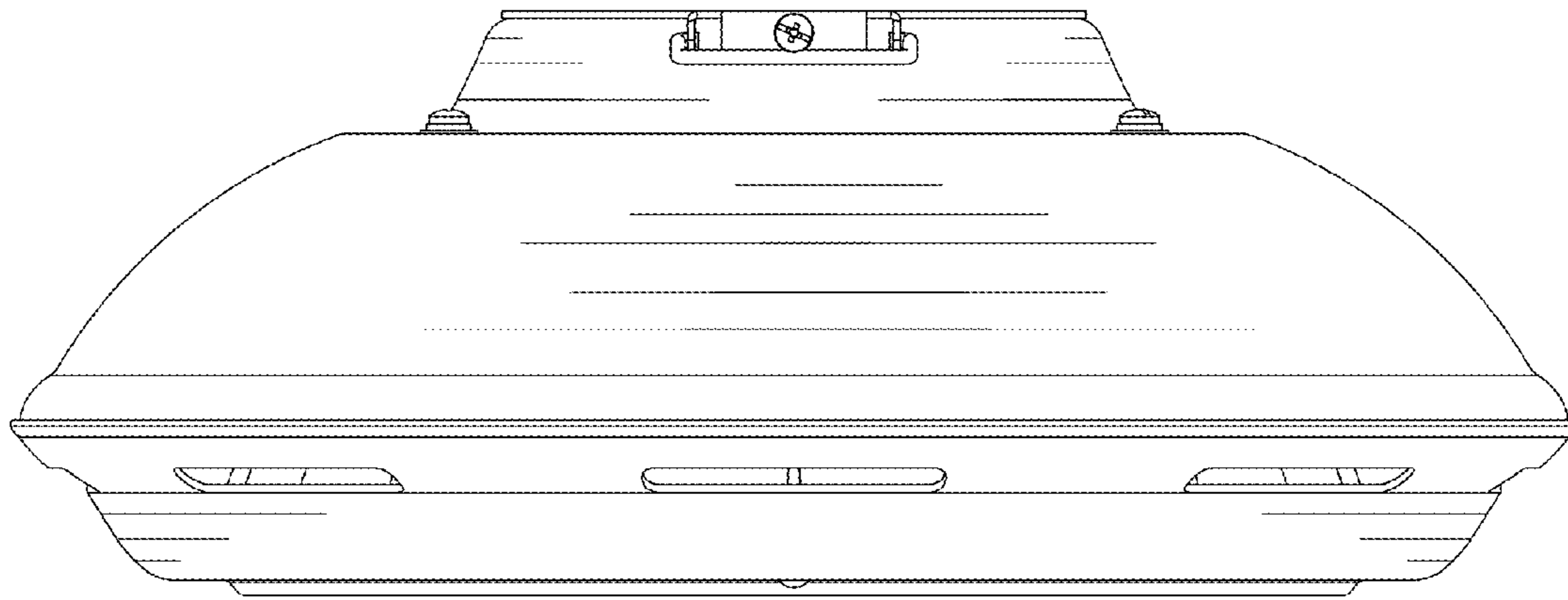


FIG. 4

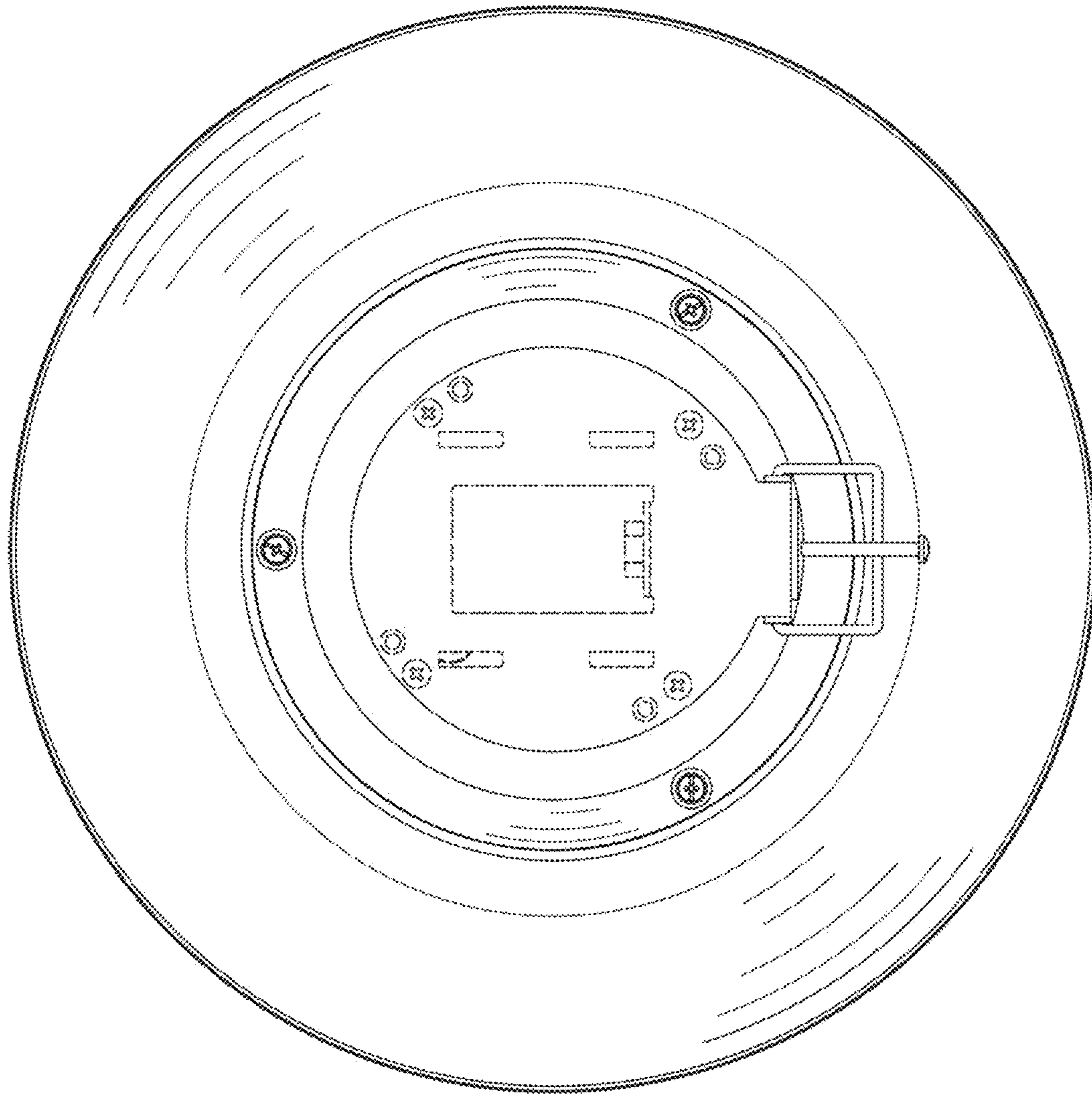


FIG. 5



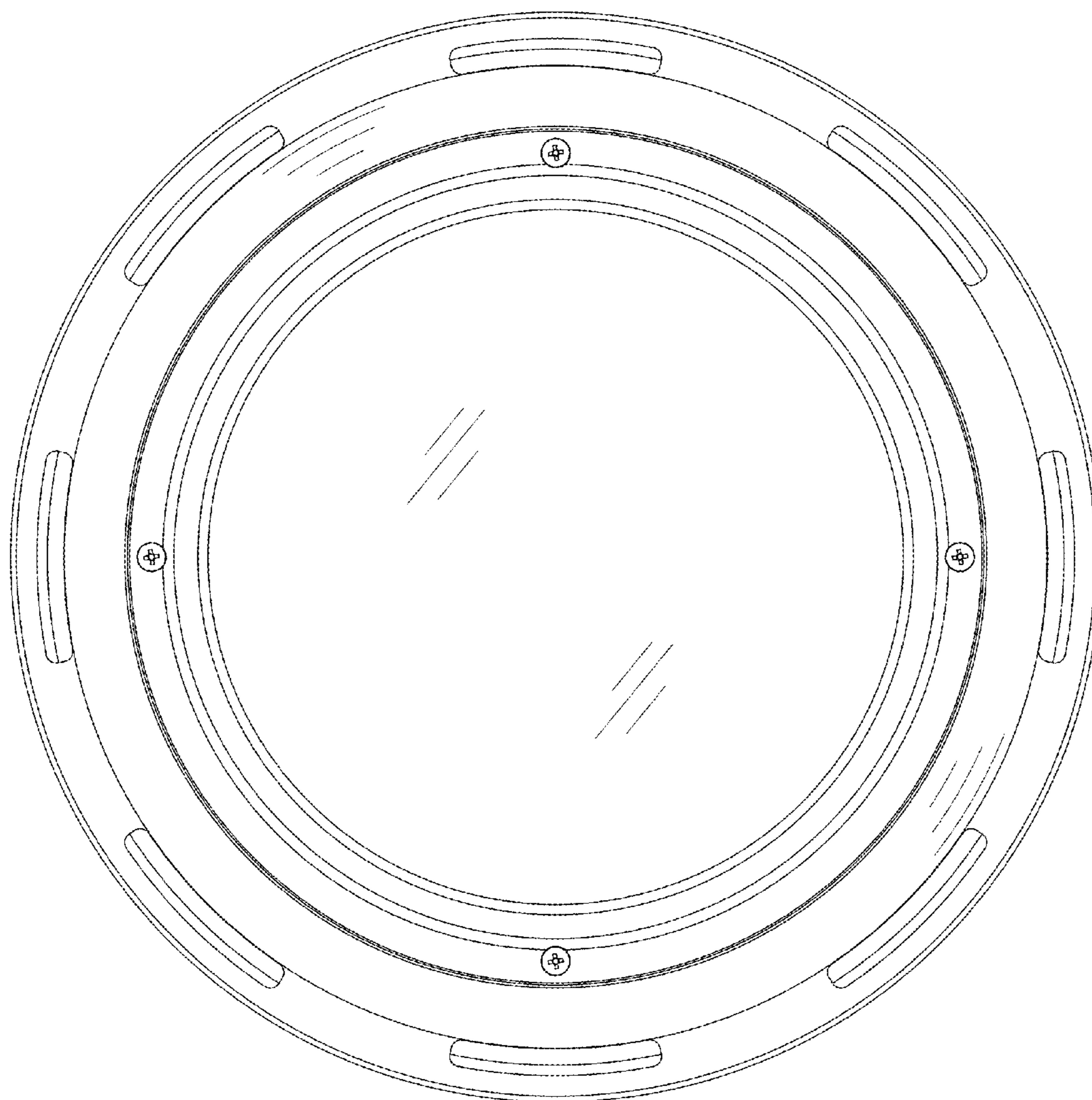


FIG. 6

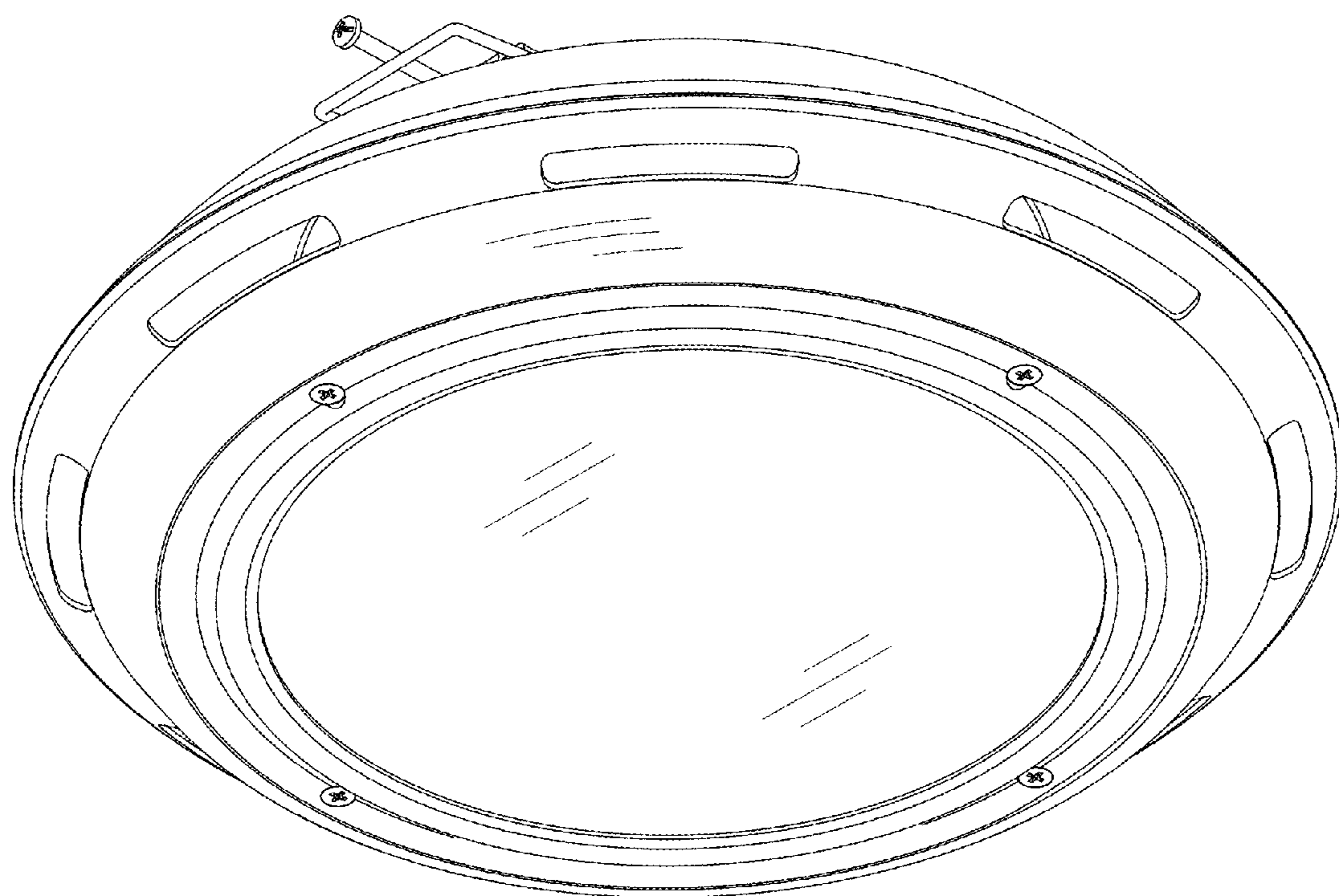


FIG. 7