



US00D727548S

(12) **United States Design Patent**
Ito

(10) **Patent No.:** **US D727,548 S**
(45) **Date of Patent:** **** Apr. 21, 2015**

(54) **TURN LAMP FOR AN AUTOMOBILE**

(71) Applicant: **Kazuhiko Ito**, Toyota (JP)
(72) Inventor: **Kazuhiko Ito**, Toyota (JP)
(73) Assignee: **Toyota Jidosha Kabushiki Kaisha** (JP)
(**) Term: **14 Years**

(21) Appl. No.: **29/485,262**
(22) Filed: **Mar. 18, 2014**

(30) **Foreign Application Priority Data**

Sep. 30, 2013 (JP) 2013-022795
(51) **LOC (10) Cl.** **26-06**
(52) **U.S. Cl.**
USPC **D26/28**
(58) **Field of Classification Search**
USPC D26/28-36; 362/459-468, 475-478,
362/485-487
See application file for complete search history.

(56) **References Cited**

U.S. PATENT DOCUMENTS

D445,924 S * 7/2001 Oh D26/28
D447,826 S * 9/2001 Kang D26/28
D451,218 S * 11/2001 Bernier D26/28
D500,153 S * 12/2004 Stephens et al. D26/28
D630,354 S * 1/2011 Stephens et al. D26/28

OTHER PUBLICATIONS

Revier, Revier LED front winker Lamp Ver.1, revier.co.jp, <http://revier.co.jp/products/prius_40/index.html>, available before Aug. 2, 2013.
Cadillac, Cadillac CTS-Partial, netcarshow.com, <http://www.netcarshow.com/cadillac/2014-cts/1600x1200/wallpaper_oa.htm>, available before Aug. 1, 2012.

* cited by examiner

Primary Examiner — Marcus Jackson
(74) *Attorney, Agent, or Firm* — Saidman DesignLaw Group, LLC

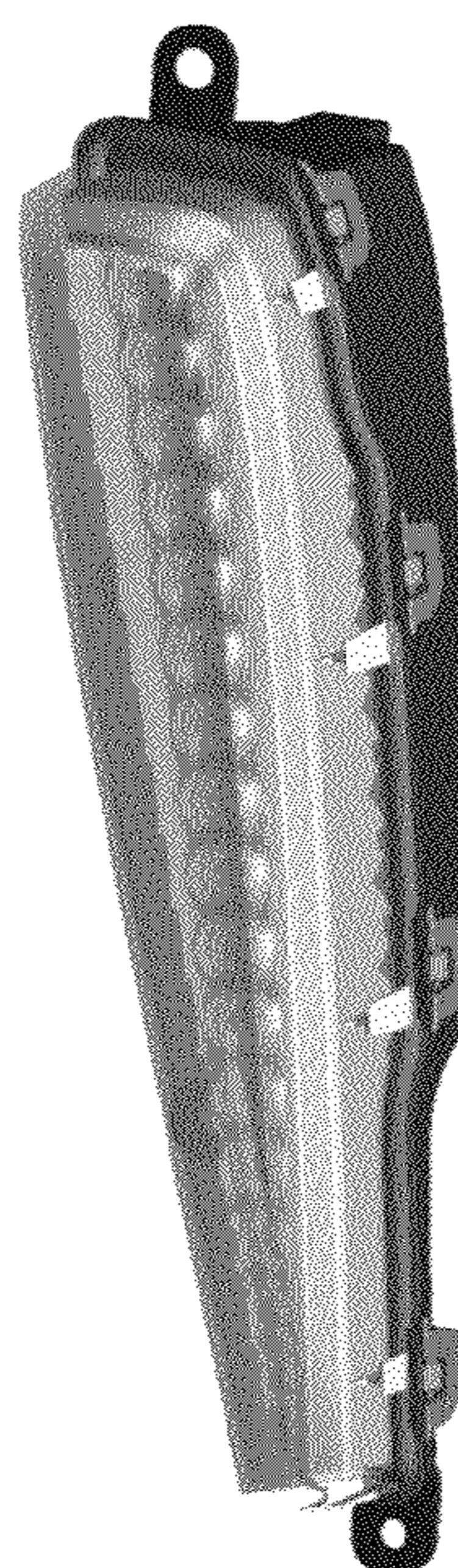
(57) **CLAIM**

The ornamental design for a turn lamp for an automobile, as shown and described.

DESCRIPTION

FIG. 1 is a perspective view of a turn lamp for an automobile showing my new design;
FIG. 2 is a front view thereof;
FIG. 3 is a rear view thereof;
FIG. 4 is a top view thereof;
FIG. 5 is a bottom view thereof;
FIG. 6 is a right side view thereof; and,
FIG. 7 is a left side view thereof.
The drawings include shadows and reflections which indicate contour, not surface ornamentation.

1 Claim, 6 Drawing Sheets



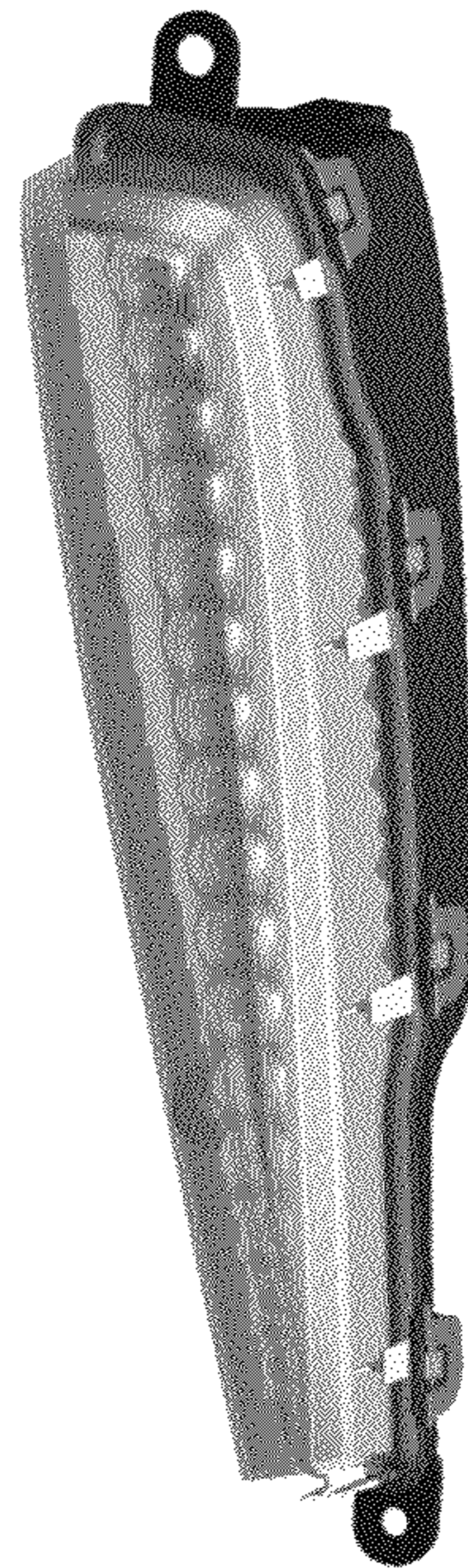


Fig. 1

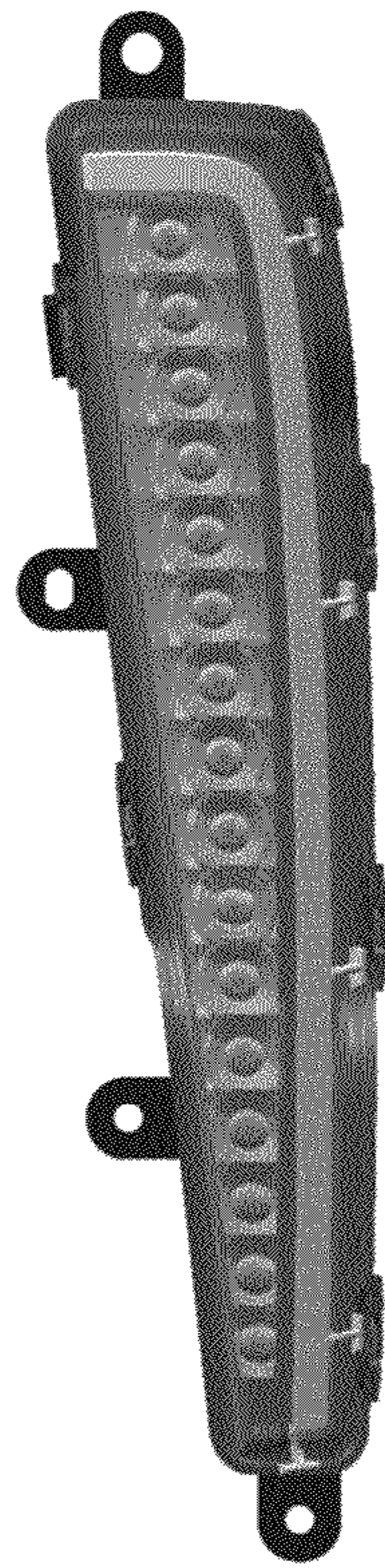


Fig. 2



Fig. 3

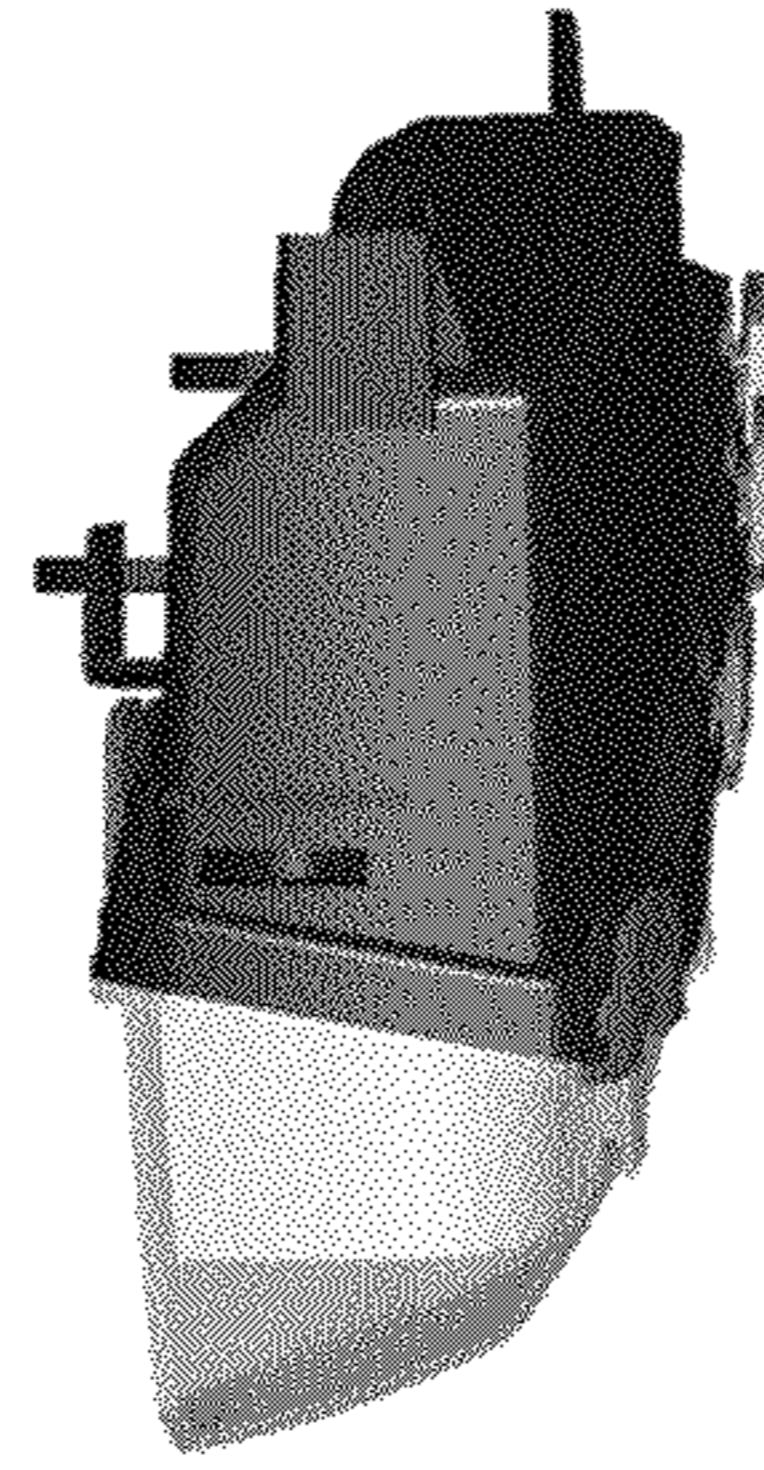


Fig. 4

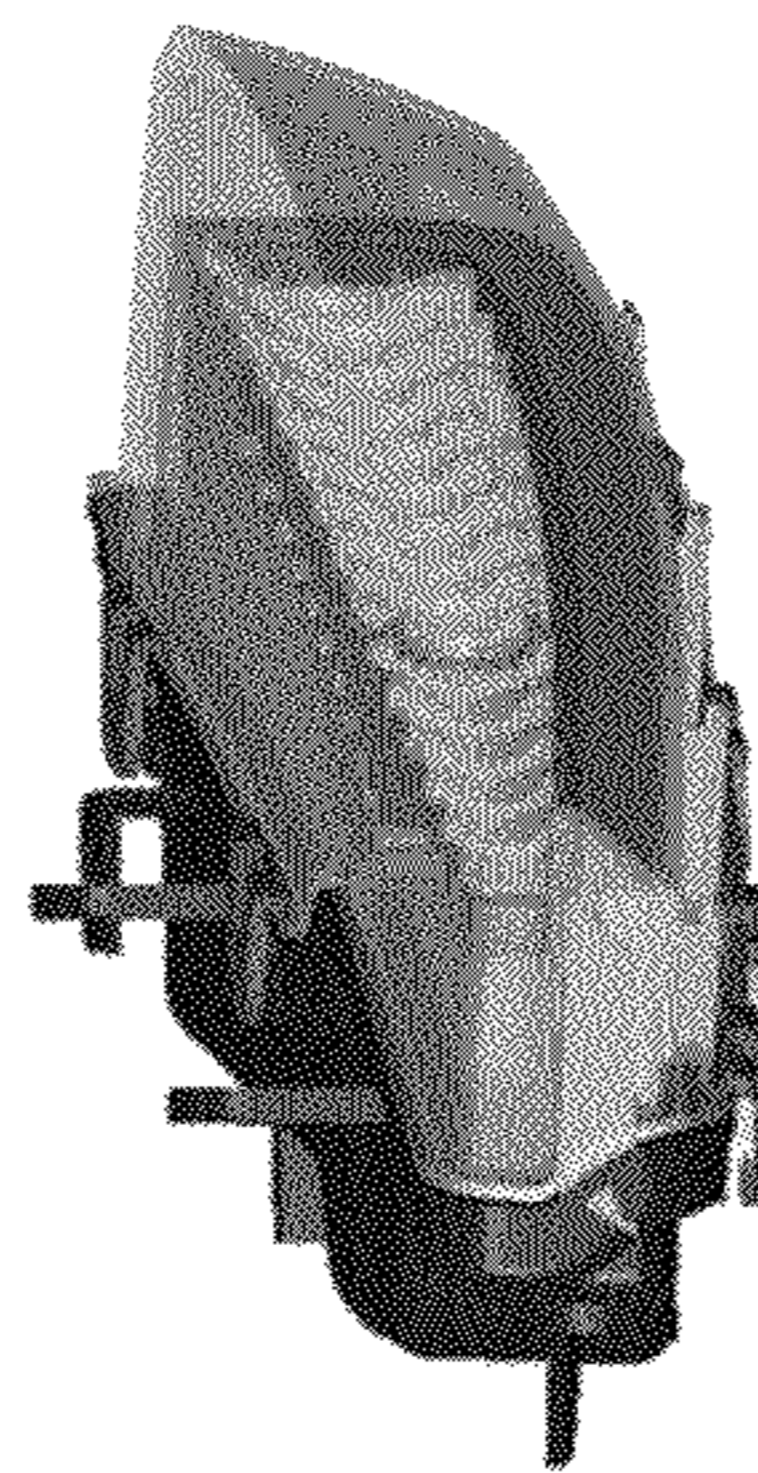


Fig. 5

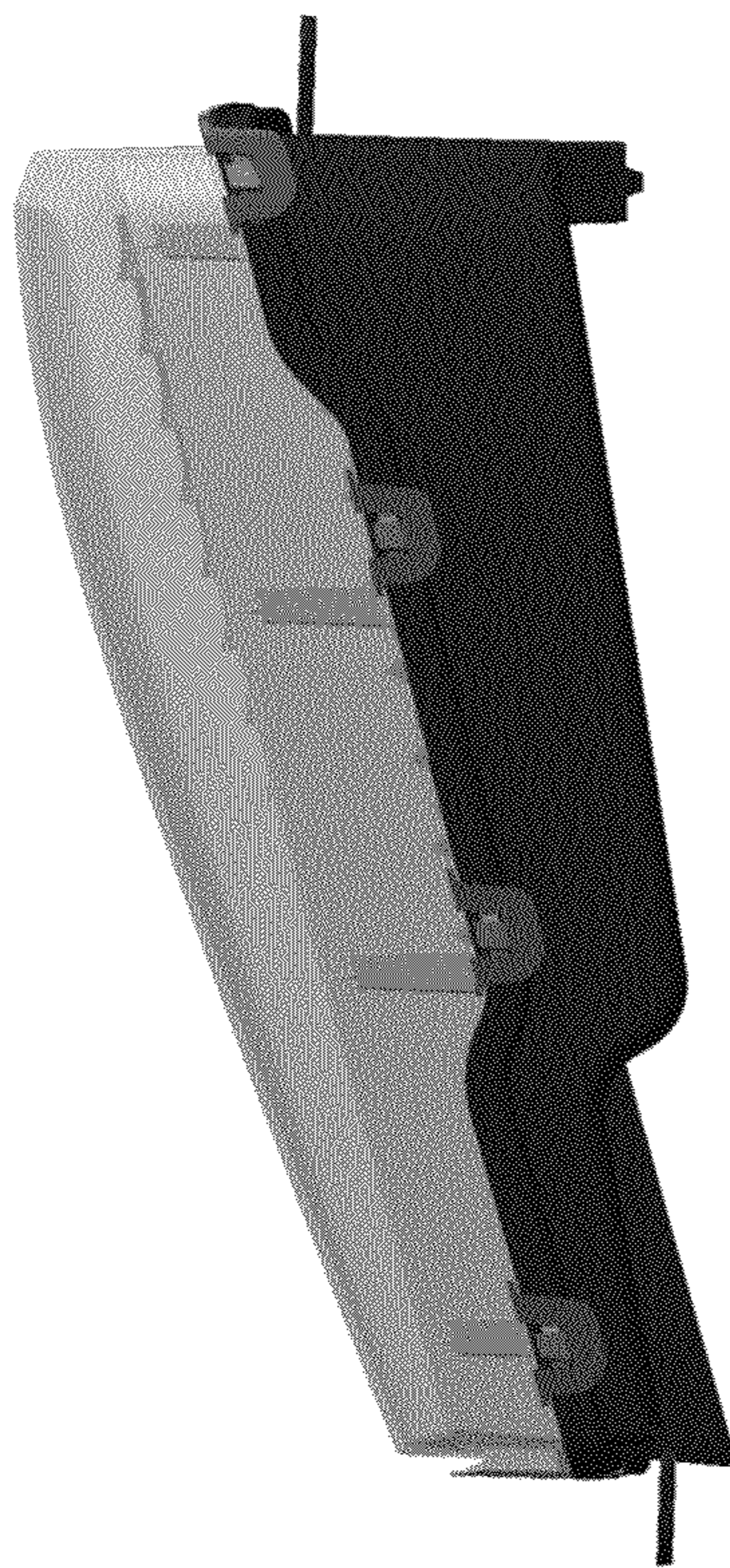


Fig. 6

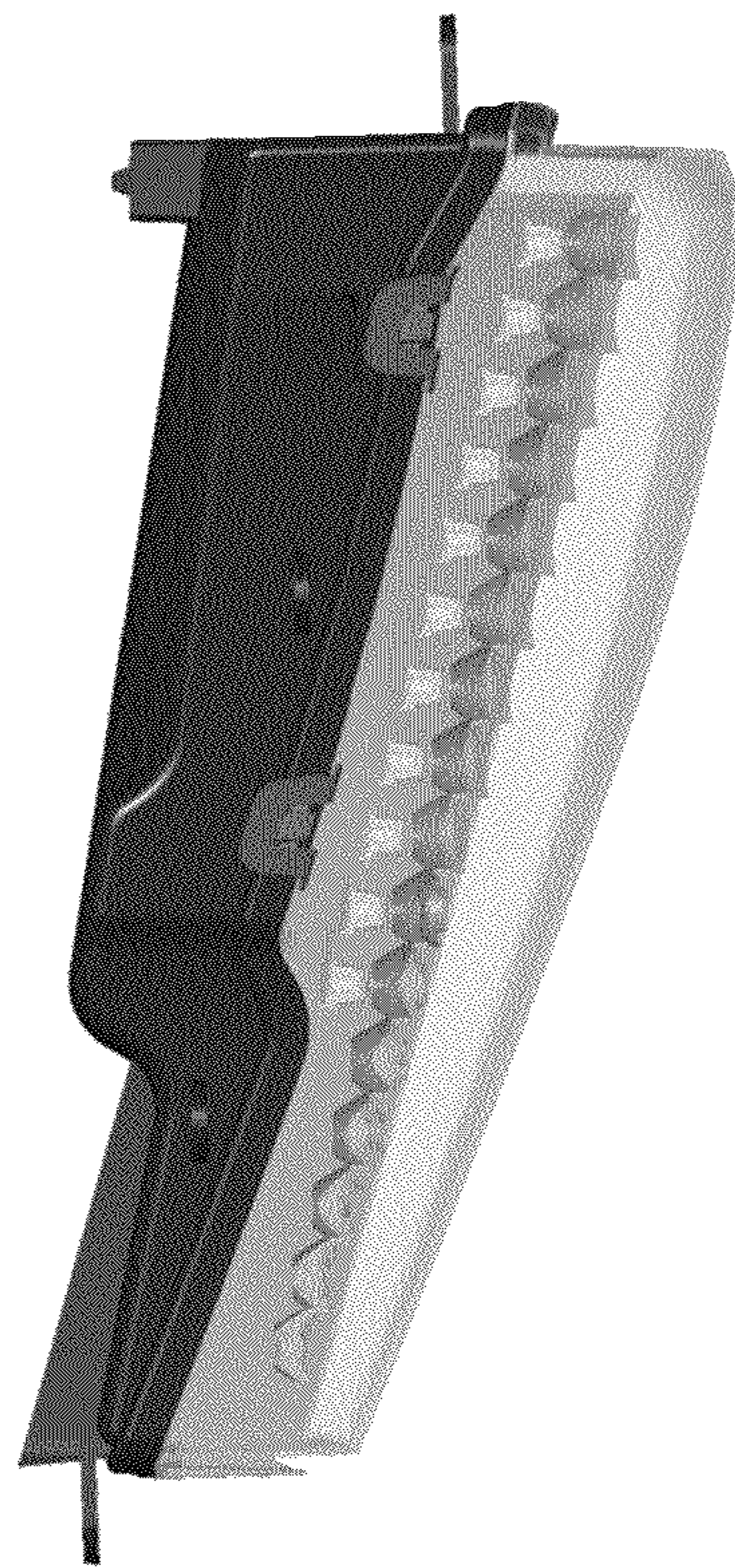


Fig. 7