

US00D727546S

(12) **United States Design Patent**
Goyal et al.

(10) **Patent No.:** **US D727,546 S**
(45) **Date of Patent:** **** Apr. 21, 2015**

- (54) **NIGHT LIGHT** D352,564 S * 11/1994 Marischen D26/26
- D425,312 S 5/2000 Reynolds et al.
- (71) Applicant: **Cooper Technologies Company,** D429,829 S 8/2000 Doran
- Houston, TX (US) D450,643 S 11/2001 Terzano
- D502,173 S 2/2005 Jung et al.
- (72) Inventors: **Rahul Natwar Goyal,** Tyrone, GA (US); D506,151 S 6/2005 Roher et al.
- Michael Ray Nelson,** Peachtree City, D515,448 S 2/2006 Nelson et al.
- GA (US) D515,449 S 2/2006 Nelson et al.
- D515,959 S 2/2006 Nelson et al.
- (73) Assignee: **Cooper Technologies Company,** D524,461 S 7/2006 Molenaar et al.
- Houston, TX (US) D526,422 S 8/2006 Yuen
- D556,607 S 12/2007 Beland et al.
- D574,807 S * 8/2008 Lee et al. D14/138 AD

(Continued)

(**) Term: **14 Years**

Primary Examiner — Derrick Holland

(21) Appl. No.: **29/499,291**

Assistant Examiner — Lauren Calve

(22) Filed: **Aug. 13, 2014**

(74) *Attorney, Agent, or Firm* — King & Spalding LLP

Related U.S. Application Data

(62) Division of application No. 29/405,812, filed on Nov. 7, 2011.

(51) **LOC (10) Cl.** **26-05**

(52) **U.S. Cl.**
USPC **D26/26; D13/177**

(58) **Field of Classification Search**
USPC D13/133, 139.1, 139.3, 139.6, 137.2,
D13/156, 160, 162, 171, 177, 180, 184,
D13/199; D8/353; D25/103; D14/127,
D14/138 R, 203.3, 203.7, 501, 507;
D12/187, 188; 362/20, 95, 560, 561,
362/802; 174/53, 66; D26/26, 51, 118;
132/296; D10/50, 114.1; D5/58

See application file for complete search history.

(56) **References Cited**

U.S. PATENT DOCUMENTS

D269,430 S 6/1983 Doyle et al.
D336,303 S 6/1993 Teitzman et al.

(57) **CLAIM**

The ornamental design for a night light, as shown and described.

DESCRIPTION

FIG. 1 is a rear elevation view of a night light, showing our new design;

FIG. 2 is a left-side elevation view of the night light;

FIG. 3 is a right-side elevation view of the night light;

FIG. 4 is a top plan view of the night light;

FIG. 5 is a bottom plan view of the night light;

FIG. 6 is a perspective view of the night light;

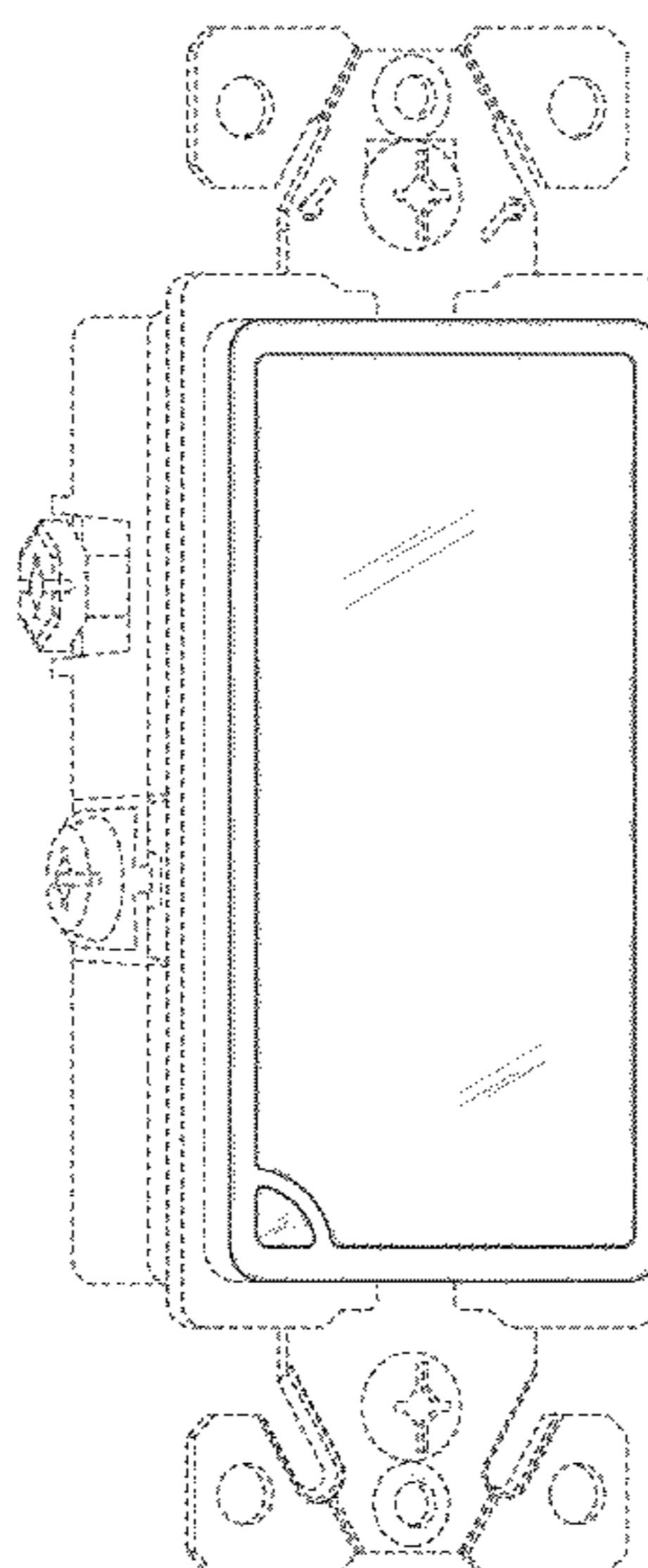
FIG. 7 is a front elevation view of the night light;

FIG. 8 is a perspective view of a night light according to a second embodiment; and,

FIG. 9 is a front elevation view of the night light of FIG. 8 wherein the rear, left-side, right-side, top, and bottom views are the same as those shown and described in FIGS. 1-5.

The broken lines shown represent unclaimed subject matter and form no part of the claimed design.

1 Claim, 5 Drawing Sheets



(56)

References Cited

U.S. PATENT DOCUMENTS

D583,337 S	12/2008	Ni	D640,640 S	6/2011	Duckworth et al.	
D603,983 S	11/2009	Richter et al.	D641,364 S *	7/2011	McParland	D14/356
D603,984 S	11/2009	Richter et al.	D644,151 S	8/2011	Chen	
D603,985 S	11/2009	Richter et al.	D658,591 S	5/2012	Margolin et al.	
D618,833 S	6/2010	Wei	D664,103 S	7/2012	Sasaoka et al.	
D633,541 S	3/2011	Khubani	D665,365 S *	8/2012	Lee et al.	D13/180
D634,276 S	3/2011	Chou	D681,569 S	5/2013	Yeh et al.	
D634,866 S *	3/2011	Richter et al.	D690,661 S	10/2013	Wisniewski et al.	
		D26/26	D694,195 S	11/2013	Gammon et al.	
			D695,234 S	12/2013	Santiago et al.	
			2009/0268321 A1 *	10/2009	Wilson	359/868

* cited by examiner

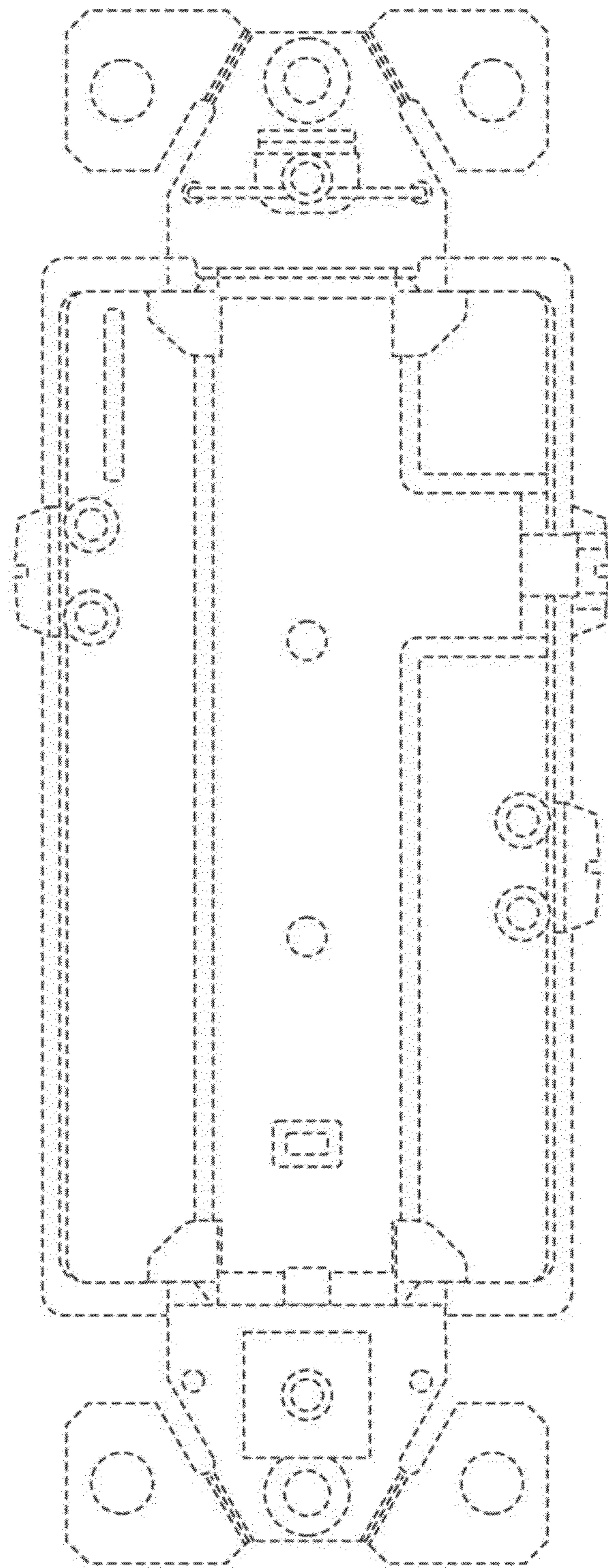


FIG. 1

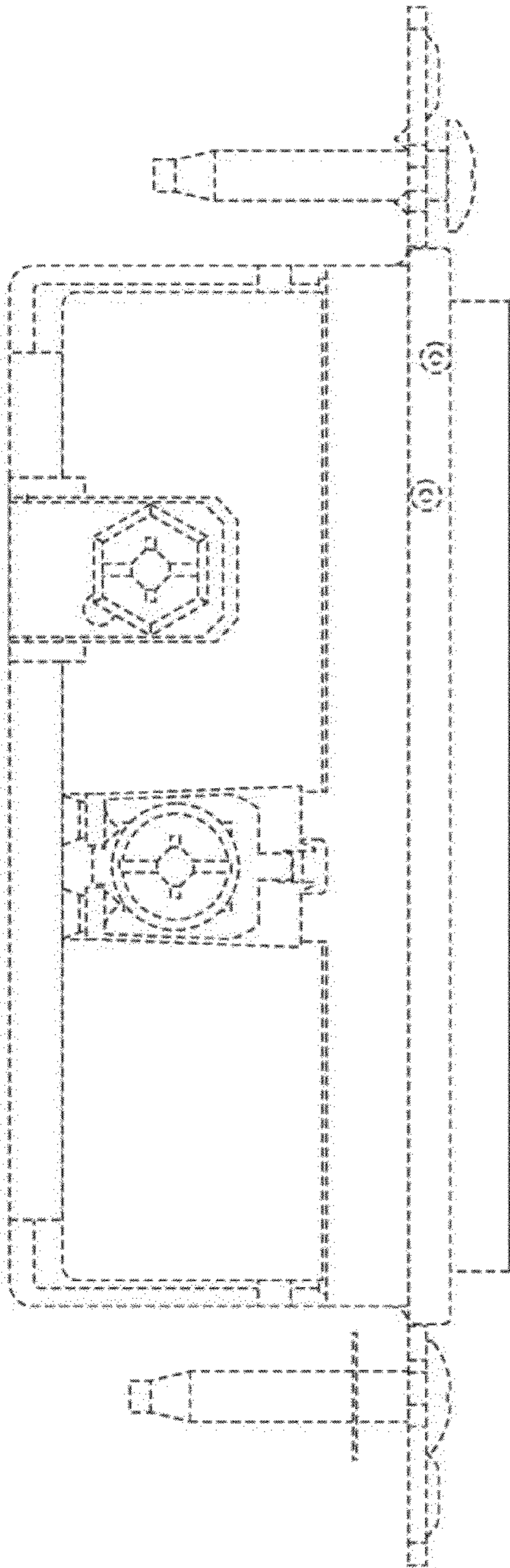


FIG. 2

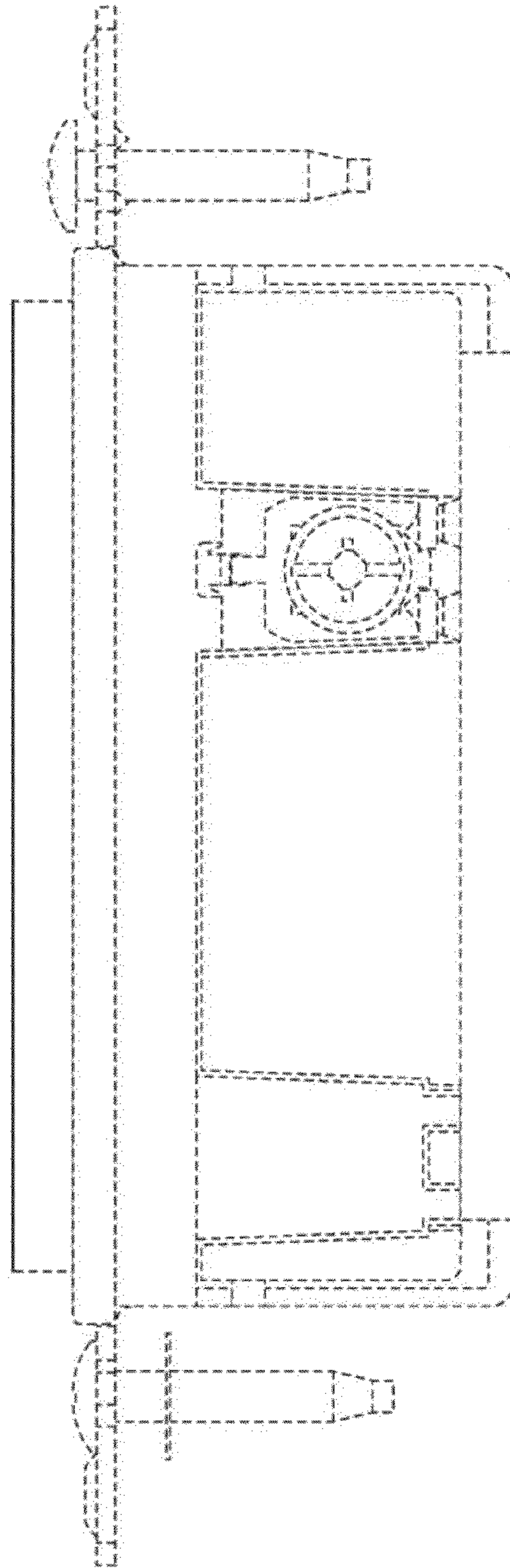


FIG. 3

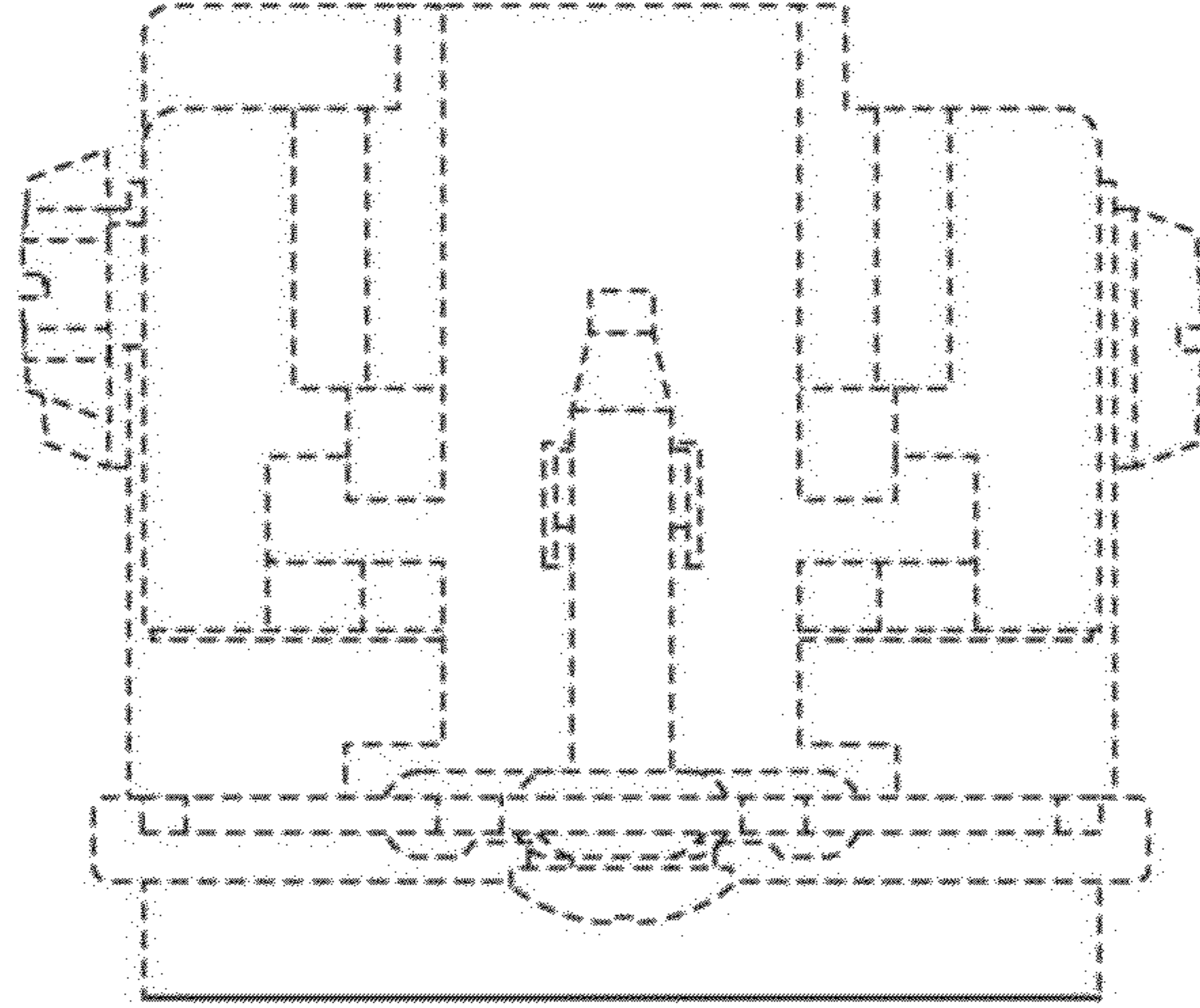


FIG. 4

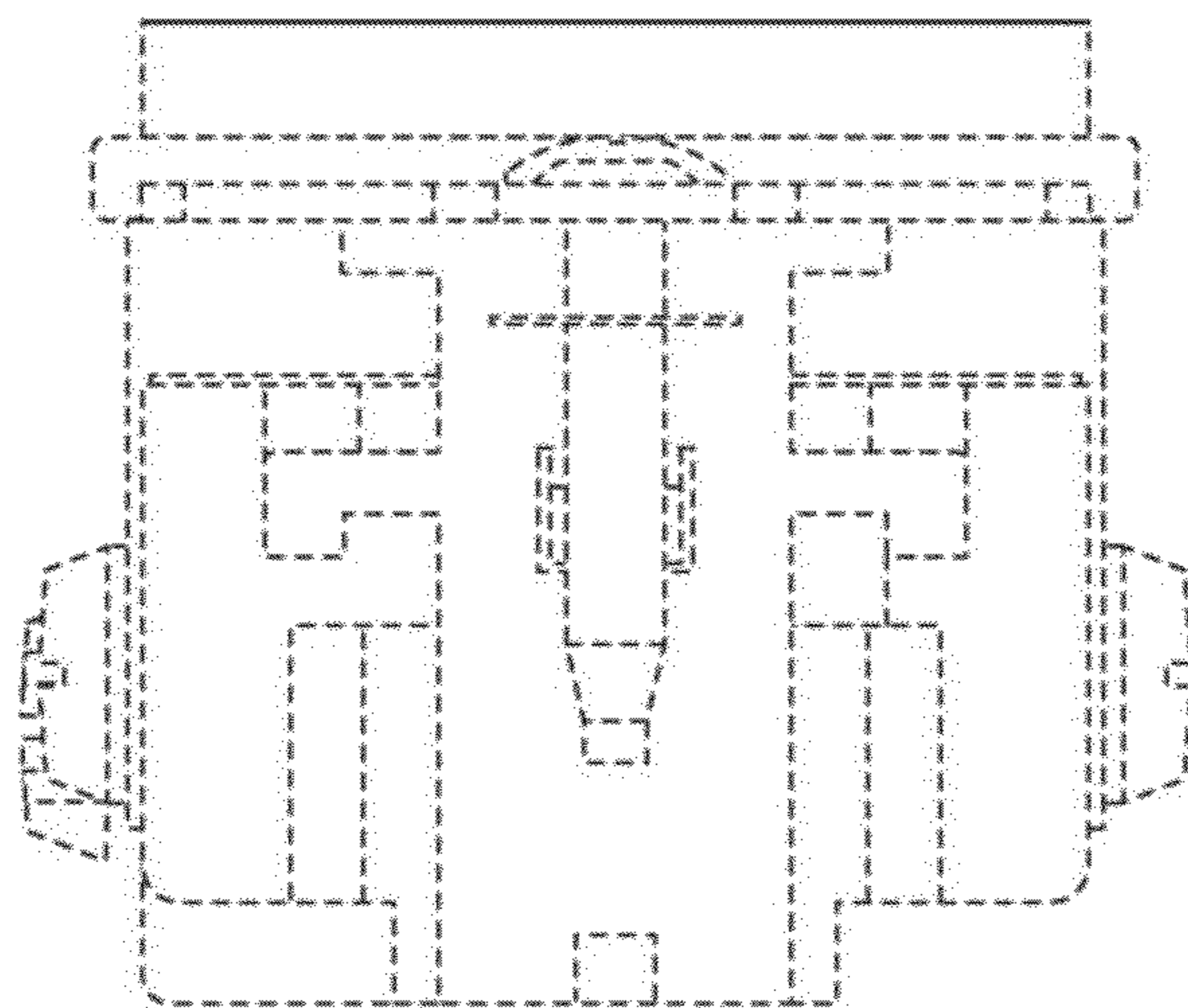


FIG. 5

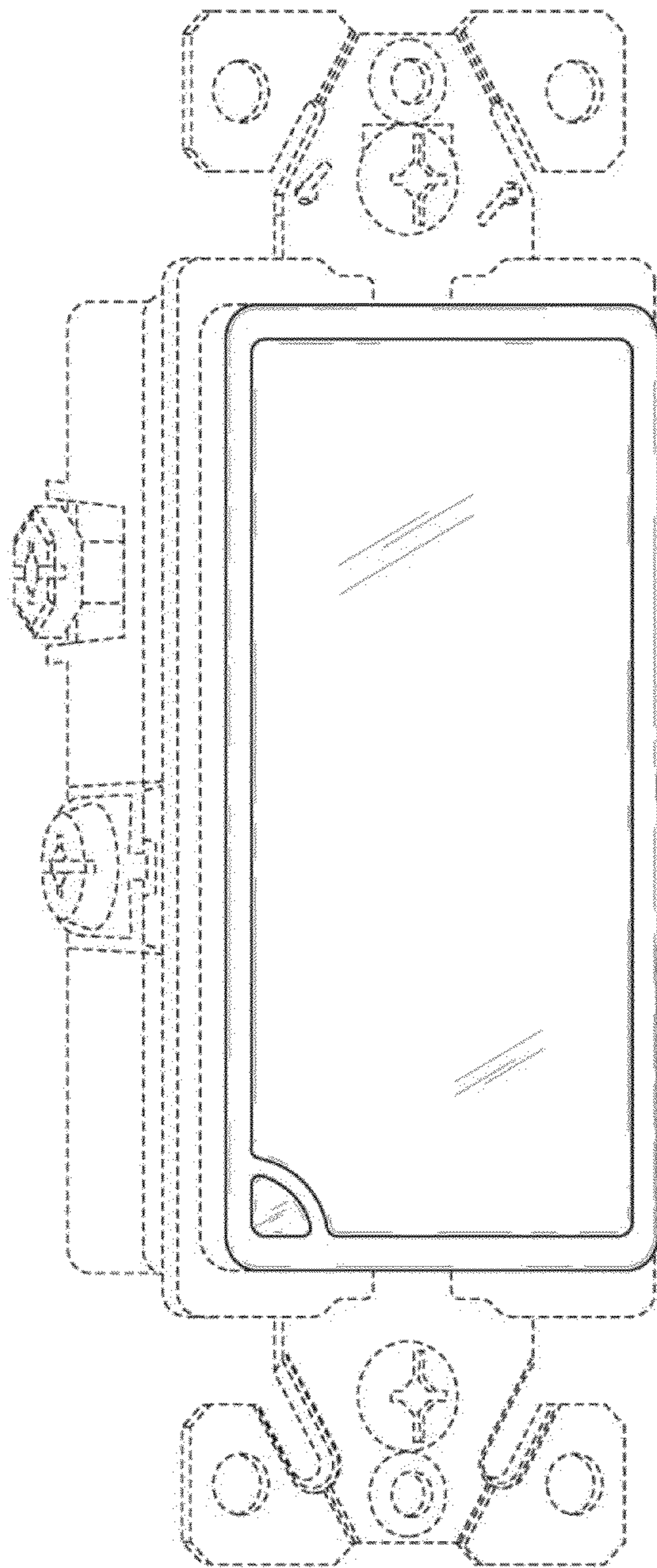


FIG. 6

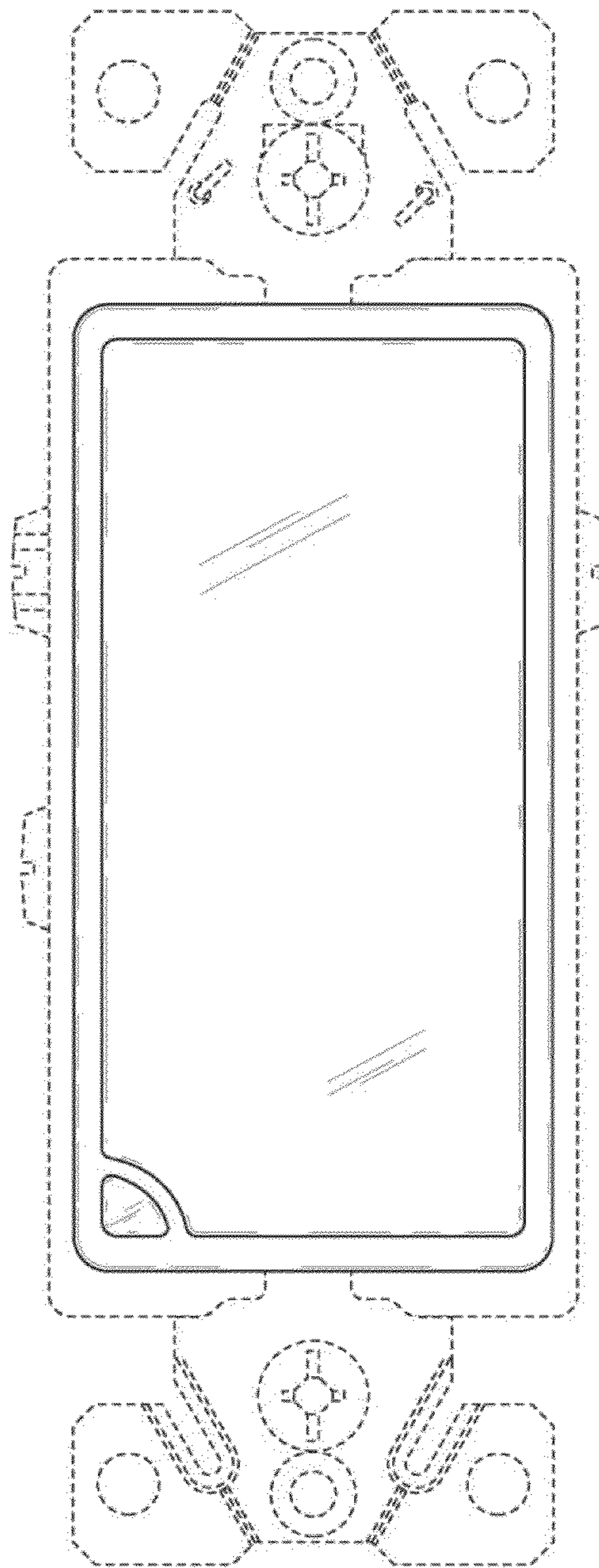


FIG. 7

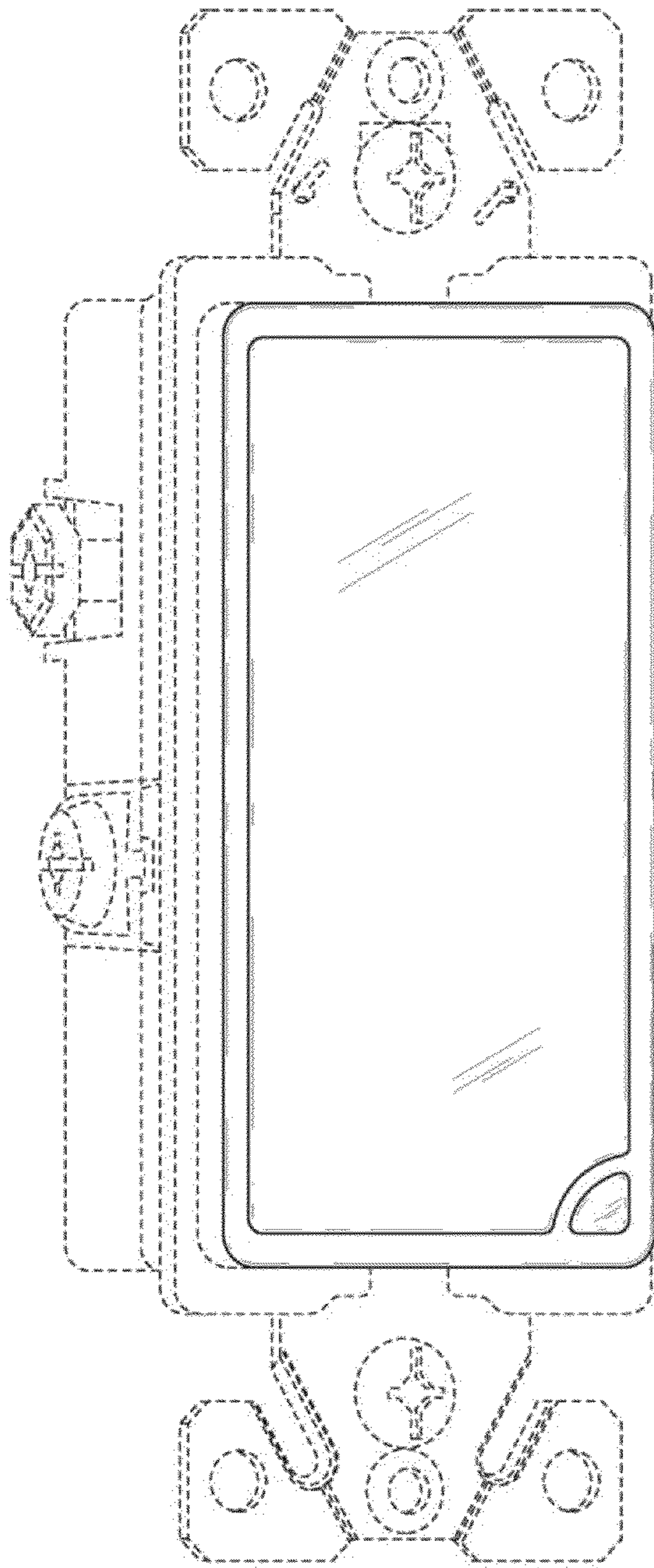


FIG. 8

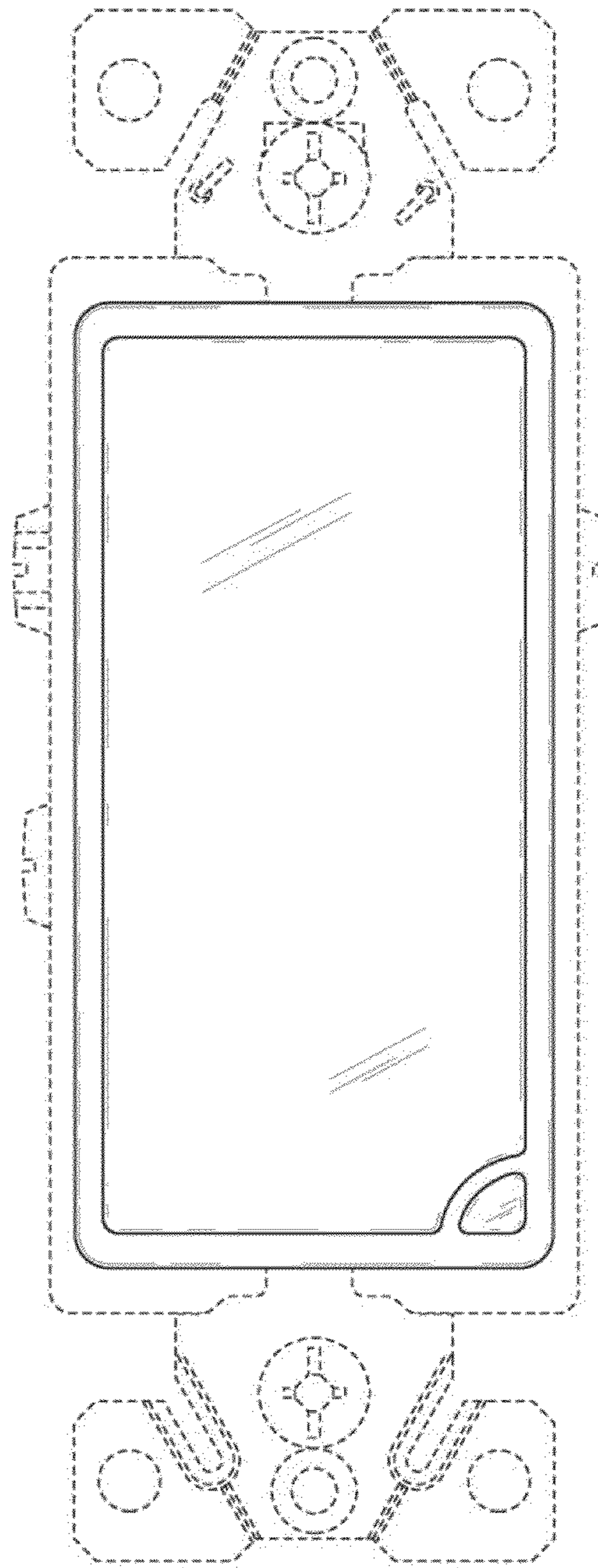


FIG. 9