

US00D727539S

(12) **United States Design Patent**
Alexander et al.

(10) **Patent No.:** **US D727,539 S**
(45) **Date of Patent:** **** Apr. 21, 2015**

(54) **CORNER PORTION OF A FRAMELESS SCREEN**

(71) Applicant: **Herman Miller, Inc.**, Zeeland, MI (US)

(72) Inventors: **Brian Alexander**, Douglas, MI (US);
Jonathan T. Moroney, Grand Haven, MI (US); **Yves Behar**, San Francisco, CA (US); **Qin Li**, South San Francisco, CA (US); **Naoya Edahiro**, San Francisco, CA (US); **Casey Doran Lewis**, Highland, UT (US)

(73) Assignee: **Herman Miller, Inc.**, Zeeland, MI (US)

(**) Term: **14 Years**

(21) Appl. No.: **29/449,892**

(22) Filed: **Mar. 15, 2013**

(51) **LOC (10) Cl.** **25-01**

(52) **U.S. Cl.**
USPC **D25/138**

(58) **Field of Classification Search**
USPC D25/58, 60, 138; 160/135, 351;
52/238.1, 239
See application file for complete search history.

(56) **References Cited**

U.S. PATENT DOCUMENTS

3,949,827 A	4/1976	Witherspoon
4,047,337 A	9/1977	Bergstrom
4,090,335 A	5/1978	Curatolo
4,133,123 A	1/1979	Anderson
4,158,936 A	6/1979	Fulton
4,296,579 A	10/1981	Proud
4,310,995 A	1/1982	Hanna
4,446,663 A	5/1984	Stumpf et al.
4,635,418 A	1/1987	Hobgood
4,684,425 A	8/1987	Bannister
4,841,699 A	6/1989	Wilson et al.

4,862,659 A	9/1989	Wilson et al.	
5,007,473 A *	4/1991	Evensen	160/135
5,070,666 A	12/1991	Looman	
5,072,496 A	12/1991	Radermacher	
5,111,579 A	5/1992	Andersen	
5,527,568 A	6/1996	Boone et al.	
5,546,718 A *	8/1996	Way	52/238.1

(Continued)

OTHER PUBLICATIONS

Best Rite 6'W x6'H Dual Sided Mobile Whiteboard/Corkboard, Product Description, added on Dec. 11, 2011, retrieved on Oct. 30, 2012, www.sears.com, 3 pages.

(Continued)

Primary Examiner — Doris Clark

(74) Attorney, Agent, or Firm — Brinks Gilson & Lione

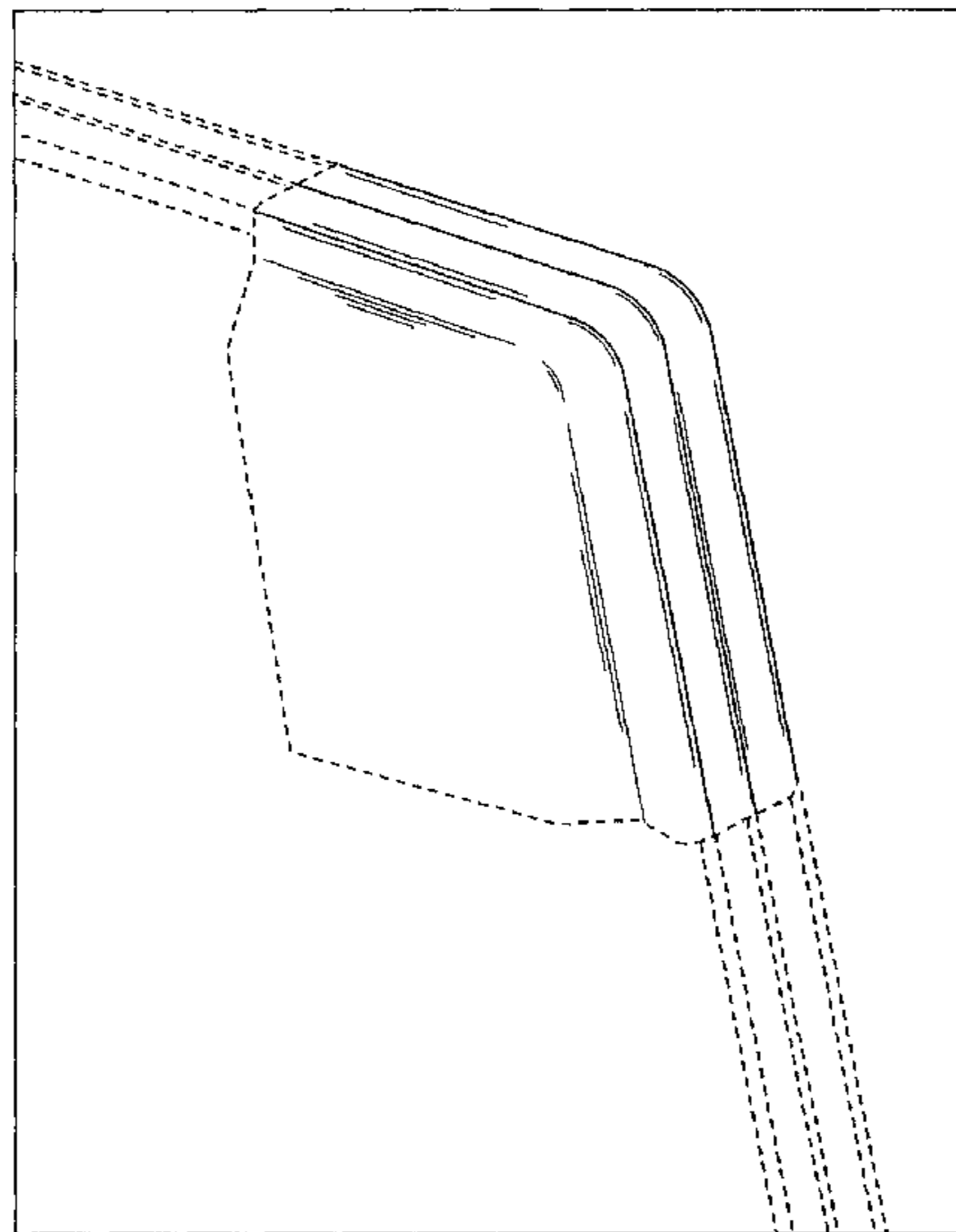
(57) **CLAIM**

We claim the ornamental design for the corner portion of a frameless screen, as shown and described.

DESCRIPTION

FIG. 1 shows a perspective view of a corner portion of a frameless screen, wherein the corner portion extends to dashed lines presented in FIG. 1;
FIG. 2 shows an enlarged fragmented perspective view of the corner portion of FIG. 1;
FIG. 3 shows a top view of the corner portion of FIG. 1;
FIG. 4 shows a front view of the corner portion of a frameless screen, wherein the rear view is a mirror image thereof; and,
FIG. 5 shows a right side view of the corner portion of FIG. 1. Any broken lines in FIGS. 1-5 are for environmental purposes only and form no part of the claimed design. The ornamental design which is claimed is shown in solid lines in the drawings. The bottom views and left side views of the corner portions of FIGS. 1-5 are not shown, as no part of the claimed ornamental designs is visible from those perspectives.

1 Claim, 5 Drawing Sheets



(56)

References Cited

U.S. PATENT DOCUMENTS

5,689,924 A 11/1997 Mason
 5,737,893 A 4/1998 Rossiter et al.
 5,875,596 A 3/1999 Muller
 6,116,326 A 9/2000 Domina et al.
 6,301,847 B1 10/2001 Beck et al.
 6,352,323 B1 3/2002 Rives
 6,393,783 B2 5/2002 Emaus et al.
 6,446,396 B1 9/2002 Marangoni et al.
 6,494,247 B1 * 12/2002 Pedone 160/135
 6,502,357 B1 * 1/2003 Stuthman et al. 52/241
 6,598,649 B1 7/2003 Moore et al.
 6,612,077 B2 9/2003 Parshad
 6,729,085 B2 5/2004 Newhouse et al.
 6,851,226 B2 2/2005 MacGregor et al.
 6,983,919 B2 1/2006 Kroggel
 7,168,754 B2 1/2007 Hinton
 7,251,917 B2 8/2007 Cvek
 7,347,020 B2 3/2008 Ray et al.
 D589,634 S * 3/2009 Mattingly D25/138
 7,584,776 B2 9/2009 Hardt, II
 7,632,103 B2 12/2009 Williams et al.
 7,735,537 B2 6/2010 Hardt, II et al.
 8,047,851 B1 11/2011 Baxter
 8,061,107 B2 11/2011 Cvek
 8,851,144 B2 * 10/2014 Forbis et al. 160/135
 2006/0070329 A1 4/2006 Schiltz

2006/0147892 A1 7/2006 Moore
 2006/0147893 A1 7/2006 Moore et al.
 2006/0214919 A1 9/2006 Moore et al.
 2006/0214922 A1 9/2006 Moore et al.
 2007/0144046 A1 6/2007 Hardt, II
 2007/0274774 A1 11/2007 Jacquet
 2007/0289225 A1 12/2007 Kern et al.
 2008/0029336 A1 2/2008 Sigler et al.
 2008/0173779 A1 7/2008 Beno et al.
 2009/0013576 A1 1/2009 Jake et al.
 2009/0255638 A1 10/2009 Hardt, II
 2009/0282663 A1 11/2009 Martin et al.
 2010/0099073 A1 4/2010 Howard et al.
 2011/0042541 A1 2/2011 Spencer et al.
 2012/0021400 A1 1/2012 Tai

OTHER PUBLICATIONS

Ergo in Demand, DOC Double-Sided Porcelain Markerboard / Fabric Room Partition, Product Description, © 2000-2012, retrieved Oct. 30, 2012, vwww.ergoindemand.com, 2 pages.
 Ergo in Demand, DOC Double-Sided Porcelain Markerboard / Cork Board Room Partition, Product Description, © 2000-2012, retrieved Oct. 30, 2012, www.ergoindemand.com, 2 pages.
 Ergo in Demand, Modular Office Divider System—Double-Sided Fabric Panels—Multiple Sizes and Colors, Product Description, © 2000-2012, retrieved Oct. 30, 2012, www.ergoindemand.com, 3 pages.

* cited by examiner

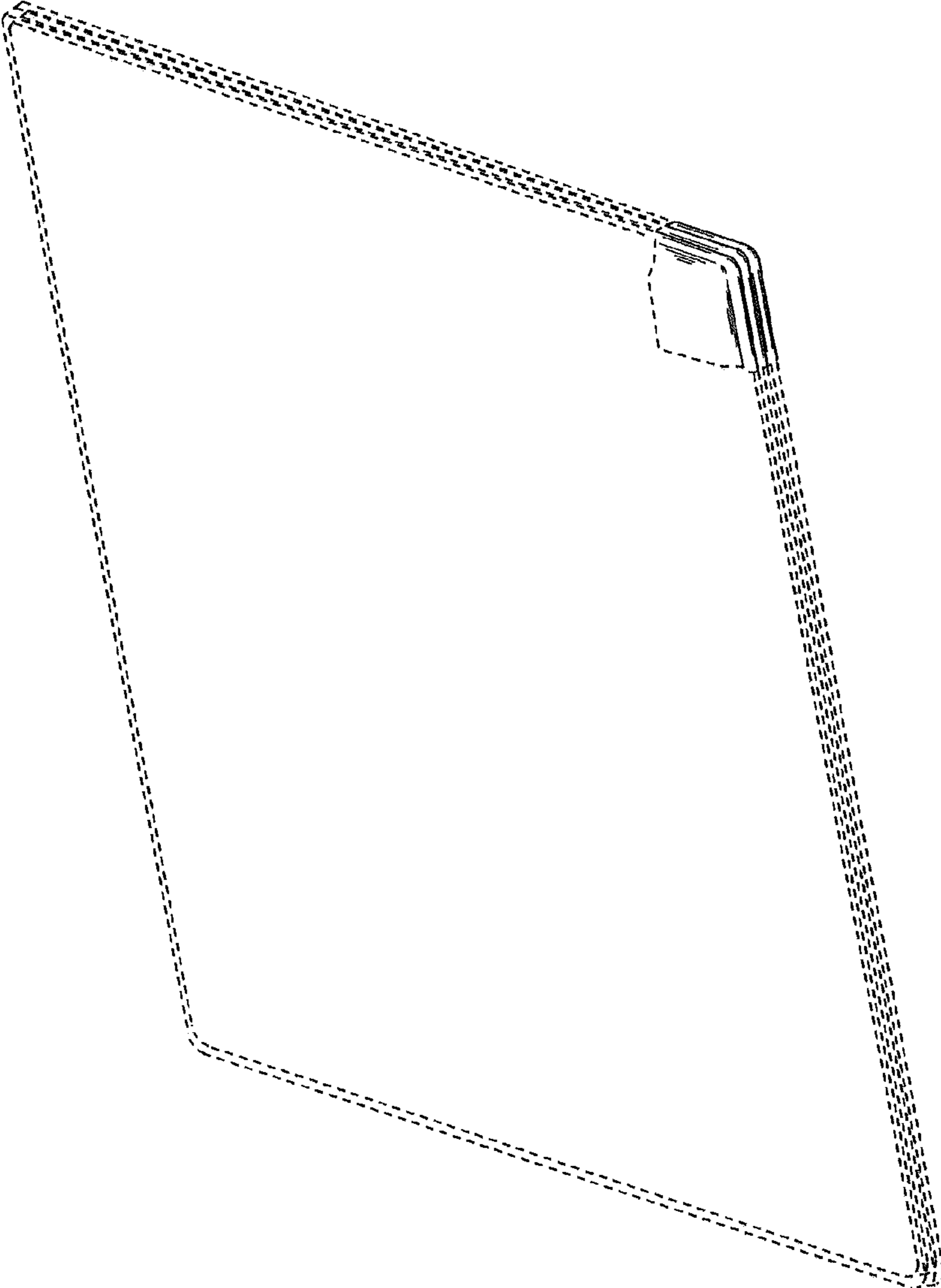


FIG. 1

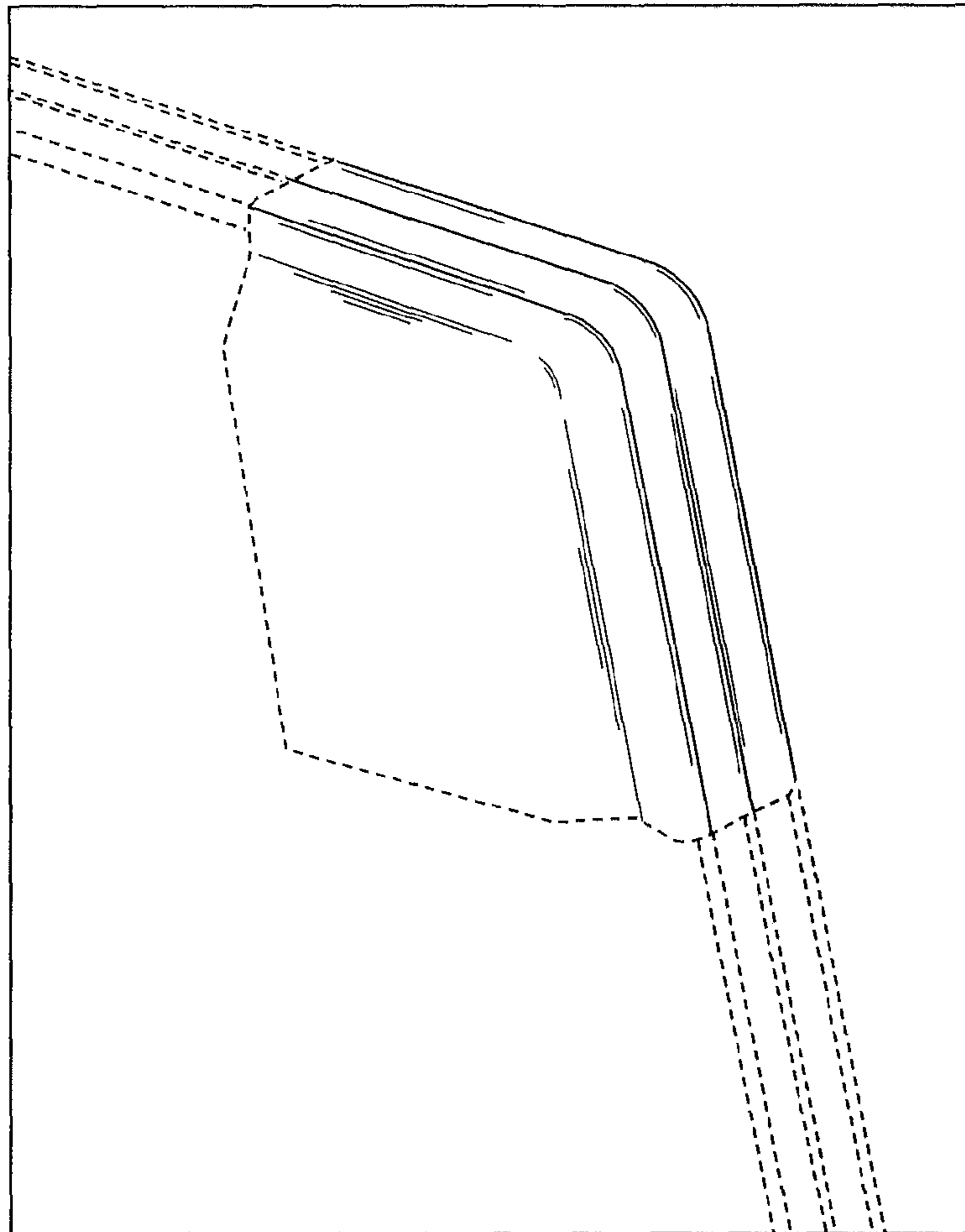


FIG. 2

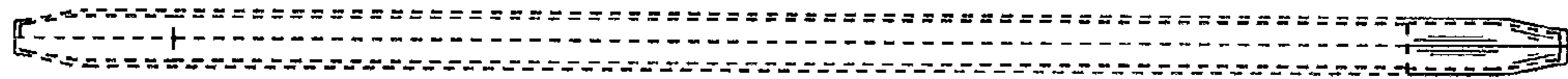


FIG. 3

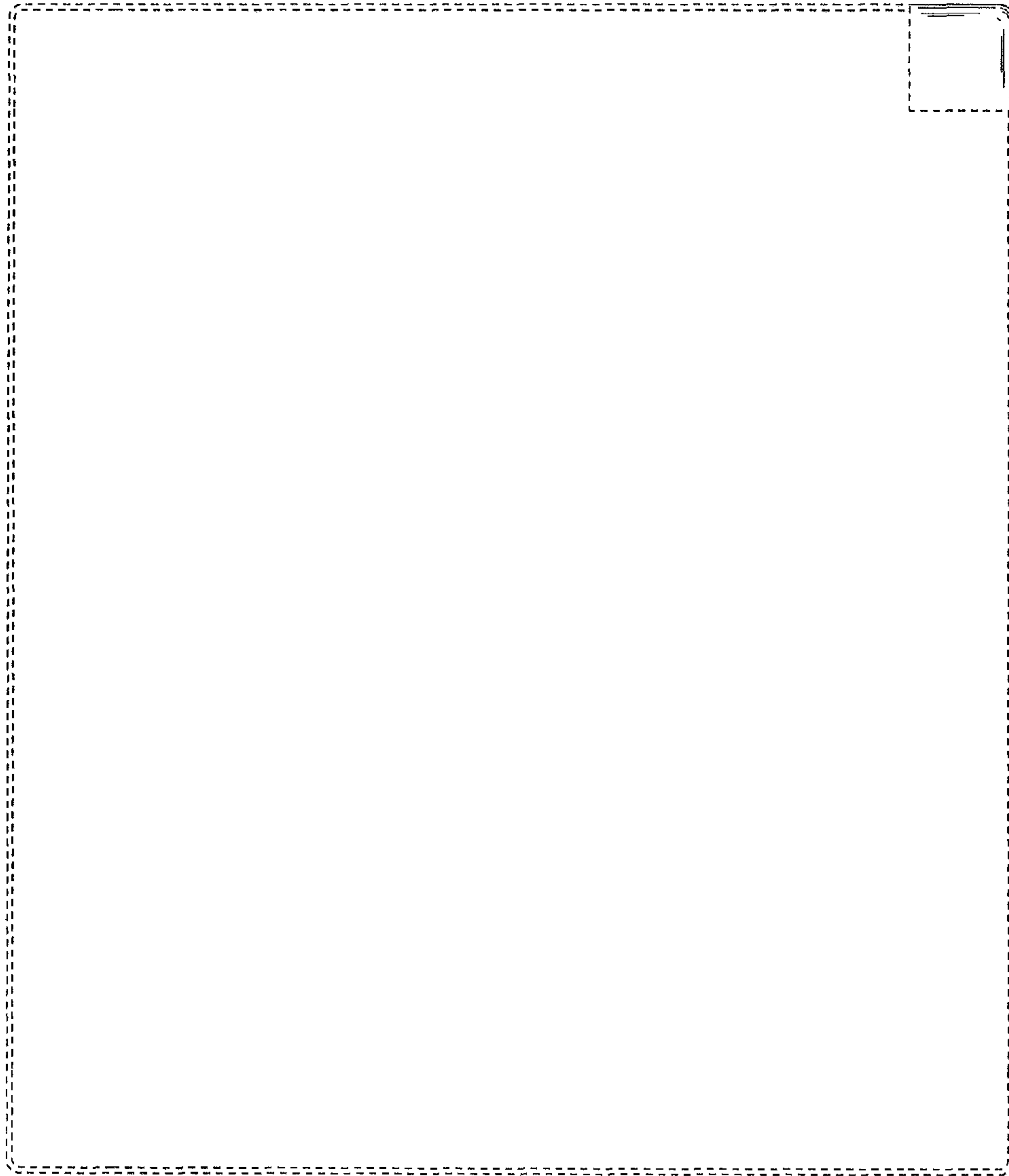


FIG. 4



FIG. 5