



US00D727538S

(12) **United States Design Patent**
Smith

(10) **Patent No.:** **US D727,538 S**

(45) **Date of Patent:** **** *Apr. 21, 2015**

(54) **THIN RENOVATION CEILING TILE COVER
FOR A BLEMISHED EXISTING REVEAL
CEILING TILE**

(71) Applicant: **Chicago Metallic Corporation,**
Chicago, IL (US)

(72) Inventor: **Thomas E. Smith,** Darien, IL (US)

(73) Assignee: **Chicago Metallic Corporation,**
Chicago, IL (US)

(*) Notice: This patent is subject to a terminal dis-
claimer.

(**) Term: **14 Years**

(21) Appl. No.: **29/437,451**

(22) Filed: **Nov. 16, 2012**

(51) **LOC (10) Cl.** **25-01**

(52) **U.S. Cl.**
USPC **D25/138**

(58) **Field of Classification Search**
USPC 52/39, 127.6, 127.8, 144, 145, 223.7,
52/243.1, 262, 282.2, 372, 375, 384, 385,
52/472, 506.06, 435, 314, 732; D25/58,
D25/138, 153, 156, 157, 163; 428/51

See application file for complete search history.

(56) **References Cited**

U.S. PATENT DOCUMENTS

| | | | | | |
|-----------|-----|---------|----------------|-------|---------|
| 1,803,390 | A * | 5/1931 | Howard | | 52/144 |
| 2,639,607 | A * | 5/1953 | Sanford | | 52/435 |
| 4,773,194 | A * | 9/1988 | Nassof | | 52/145 |
| 4,928,312 | A * | 5/1990 | Hill | | 381/424 |
| D364,475 | S * | 11/1995 | Burbury et al. | | D25/138 |
| D486,922 | S * | 2/2004 | Baxter | | D25/163 |

* cited by examiner

Primary Examiner — Doris Clark

(74) *Attorney, Agent, or Firm* — Gerald E. Helget; Briggs
and Morgan, P.A.

(57) **CLAIM**

The ornamental design for a thin renovation ceiling tile cover
for a blemished existing reveal ceiling tile, as shown and
described.

DESCRIPTION

FIG. 1 is an upward perspective view showing my new design
for a thin renovation ceiling tile cover for a blemished existing
reveal ceiling tile;

FIG. 2 is a bottom plan view;

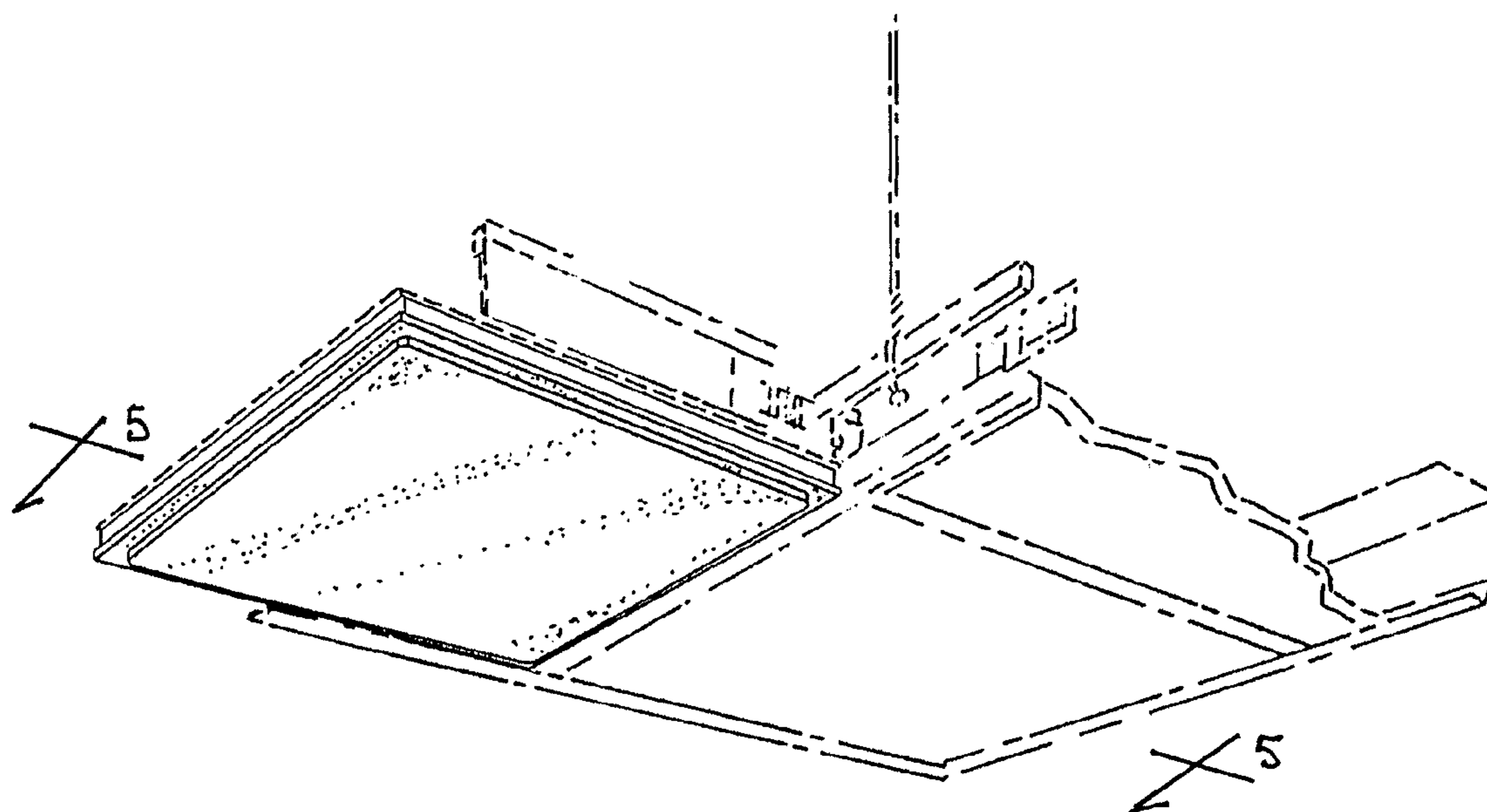
FIG. 3 is a top plan view;

FIG. 4 is a side elevational view which is a mirror image of all
sides; and,

FIG. 5 is a broken away cross sectional view.

The broken line drawings of the prior blemished existing
reveal ceiling tile and support grid are for illustrative purposes
only and form no part of the claimed design.

1 Claim, 1 Drawing Sheet



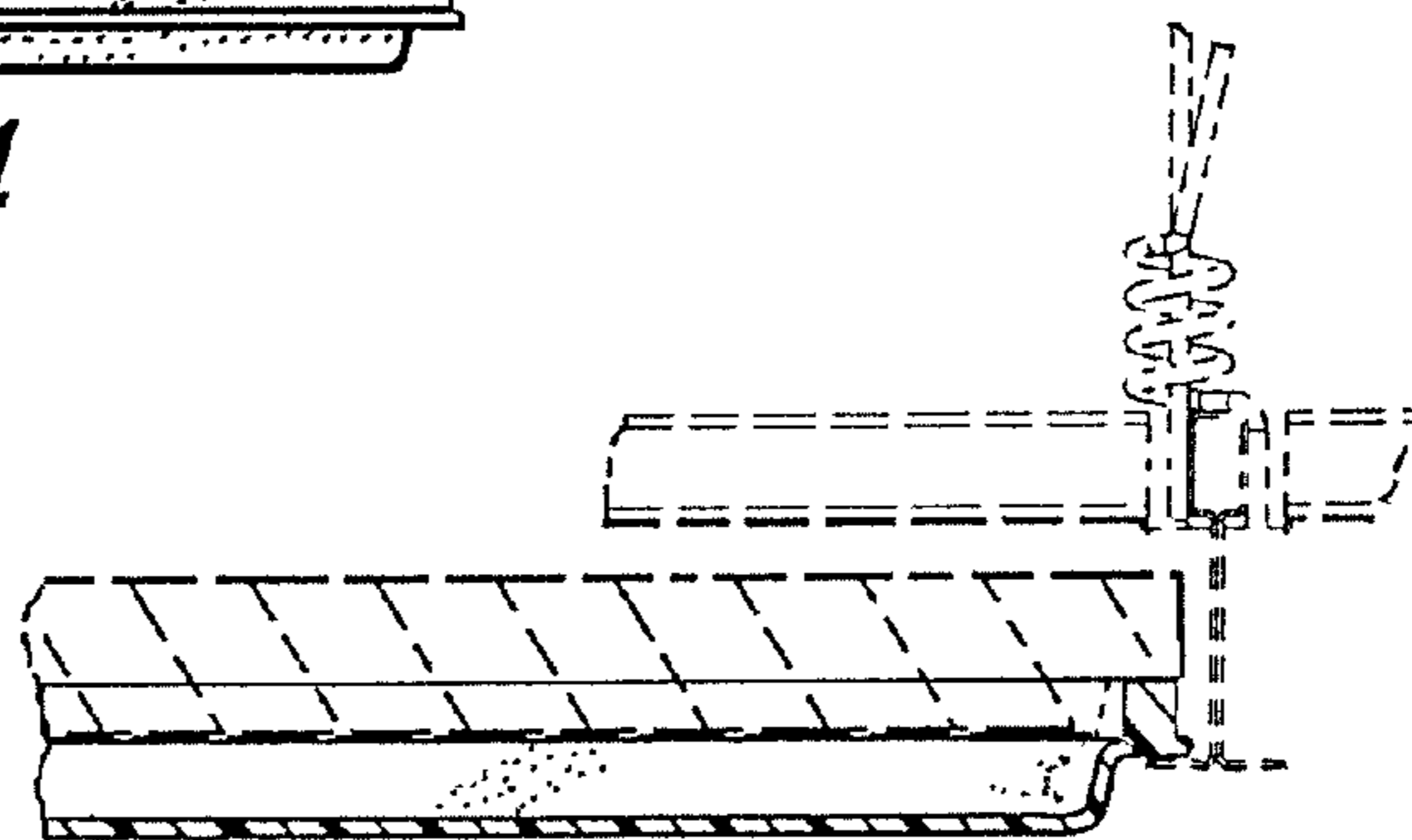
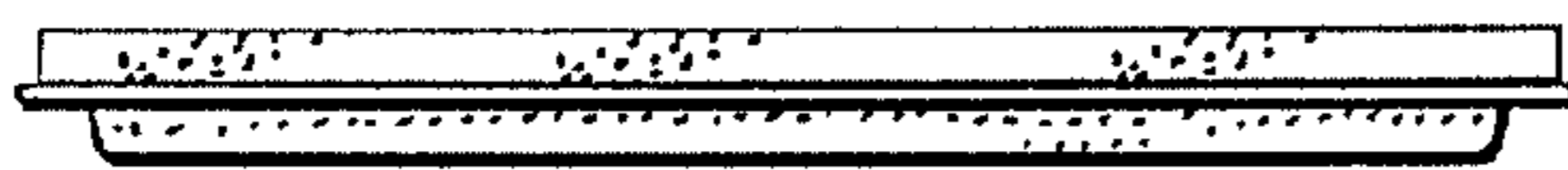
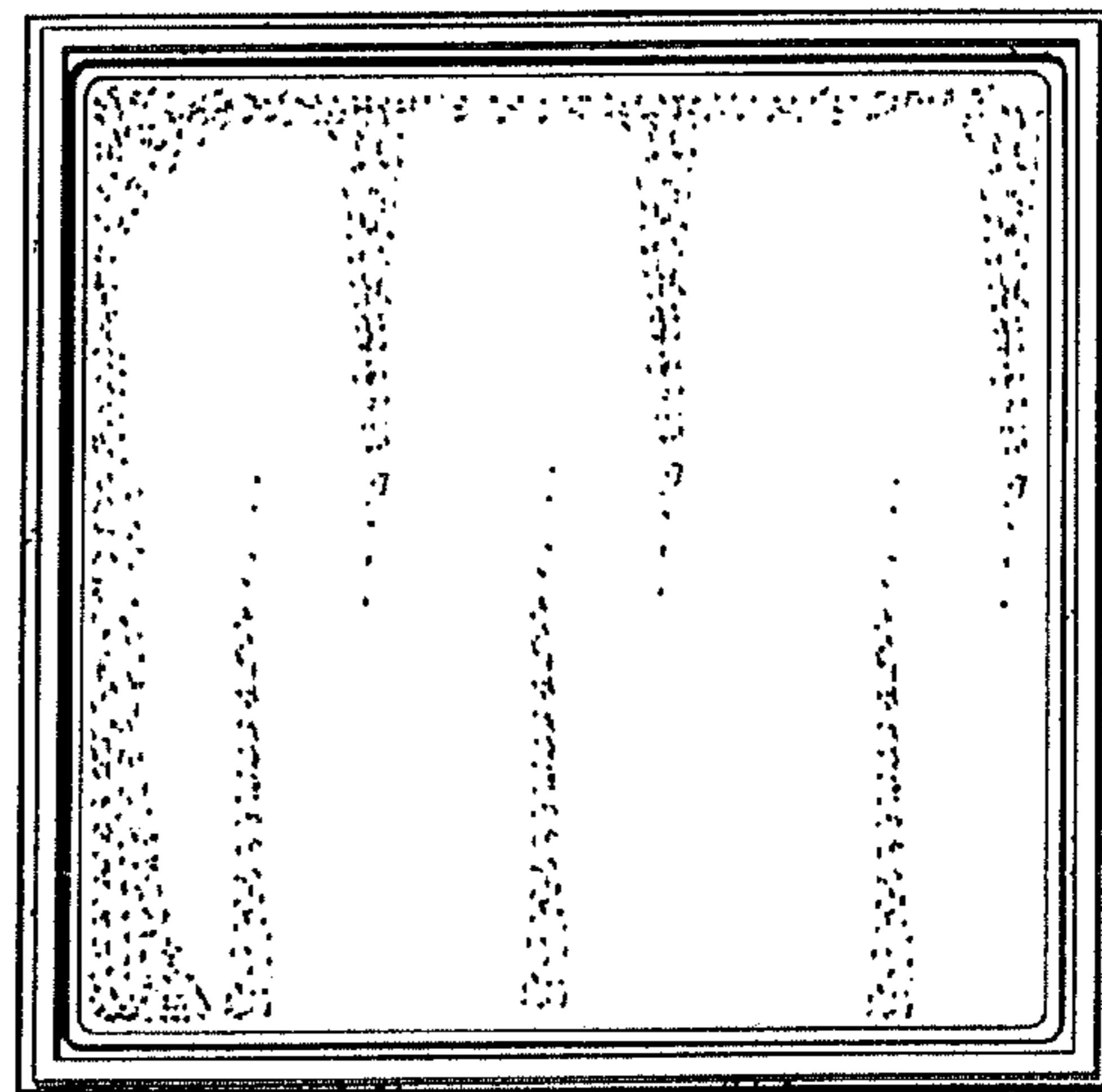
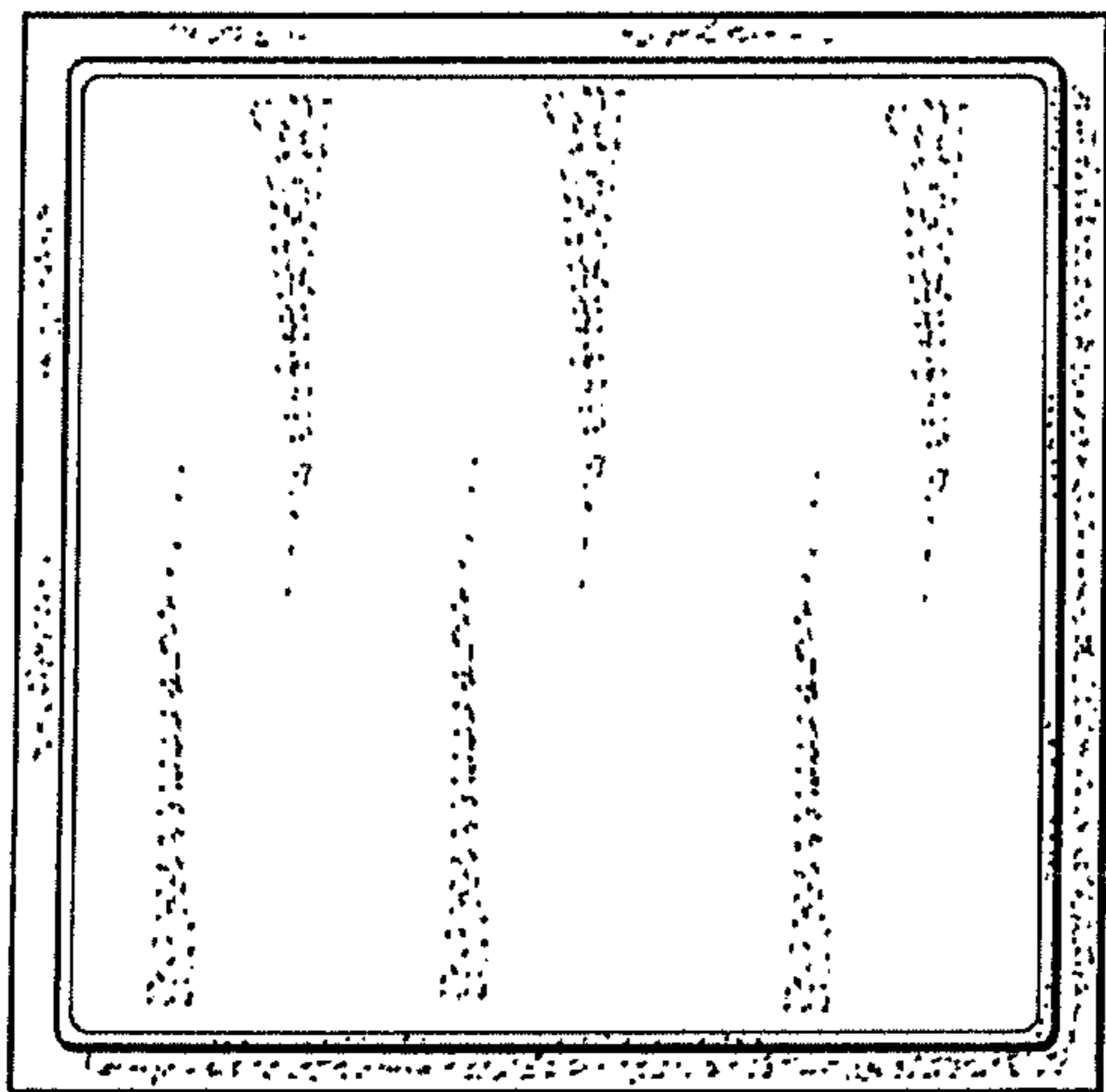
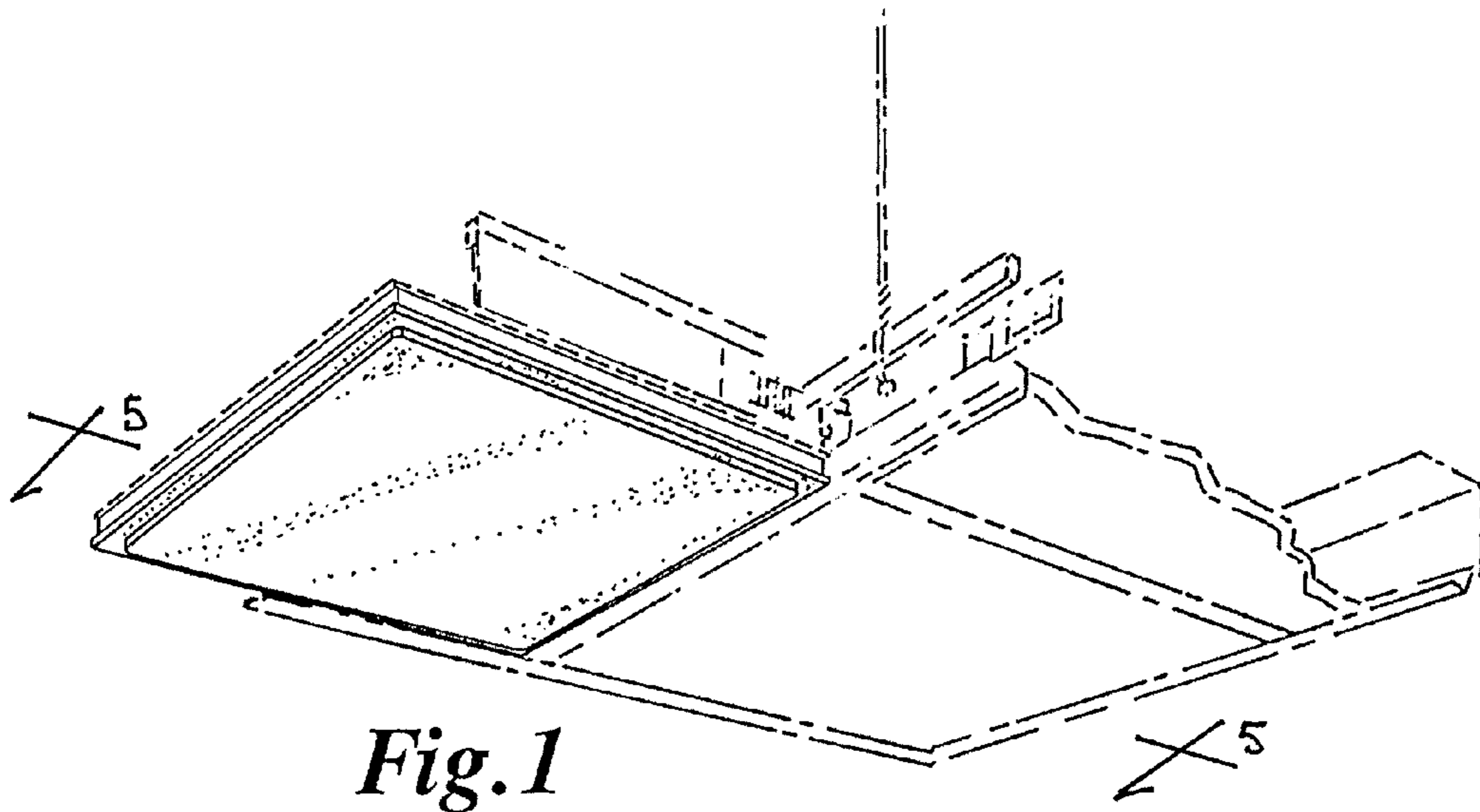


Fig. 2

Fig. 3

Fig. 4

Fig. 5