



US00D727536S

(12) **United States Design Patent**
Campbell et al.

(10) **Patent No.:** **US D727,536 S**
(45) **Date of Patent:** **** Apr. 21, 2015**

- (54) **WINDOW FRAME PROFILE**
- (71) Applicant: **Royal Group, Inc.**, Atlanta, GA (US)
- (72) Inventors: **David Robert Campbell**, Orillia, CA (US); **Nina Sterlin**, Thornhill, CA (US); **Eric Mercer**, Indian Trail, NC (US)
- (73) Assignee: **Royal Group, Inc.**, Atlanta, GA (US)
- (**) Term: **14 Years**
- (21) Appl. No.: **29/481,215**
- (22) Filed: **Feb. 3, 2014**
- (51) **LOC (10) Cl.** **25-01**
- (52) **U.S. Cl.**
USPC **D25/124**
- (58) **Field of Classification Search**
USPC D25/124; 52/204.1, 204.2, 204.5, 52/204.51, 656.5, 656.6, 213, 215, 208, 52/656.2, 656.7, 800.13, 717.01; 49/DIG. 2, 504
See application file for complete search history.

6,393,778	B1 *	5/2002	Ting	52/204.5
D487,933	S *	3/2004	Habeck et al.	D25/124
D594,565	S *	6/2009	Campbell et al.	D25/124
D600,360	S *	9/2009	Wickland	D25/124
D602,605	S *	10/2009	Wickland	D25/124
D630,341	S *	1/2011	Wickland	D25/124
2003/0056450	A1 *	3/2003	Bealko	52/204.55
2009/0313941	A1 *	12/2009	Siodla	52/800.13

* cited by examiner

Primary Examiner — Doris Clark

(74) *Attorney, Agent, or Firm* — Hunton & Williams, LLP

(57) **CLAIM**

We claim the ornamental design for a window frame profile, as shown and described.

DESCRIPTION

FIG. 1 is a fragmentary top right isometric view of a window frame profile of the claimed design.

FIG. 2 is a fragmentary bottom left isometric view of a window frame profile of FIG. 1; and,

FIG. 3 is an end elevation view of the of the window frame profile of FIG. 1.

The claimed design is broken on the end to indicate indeterminate length.

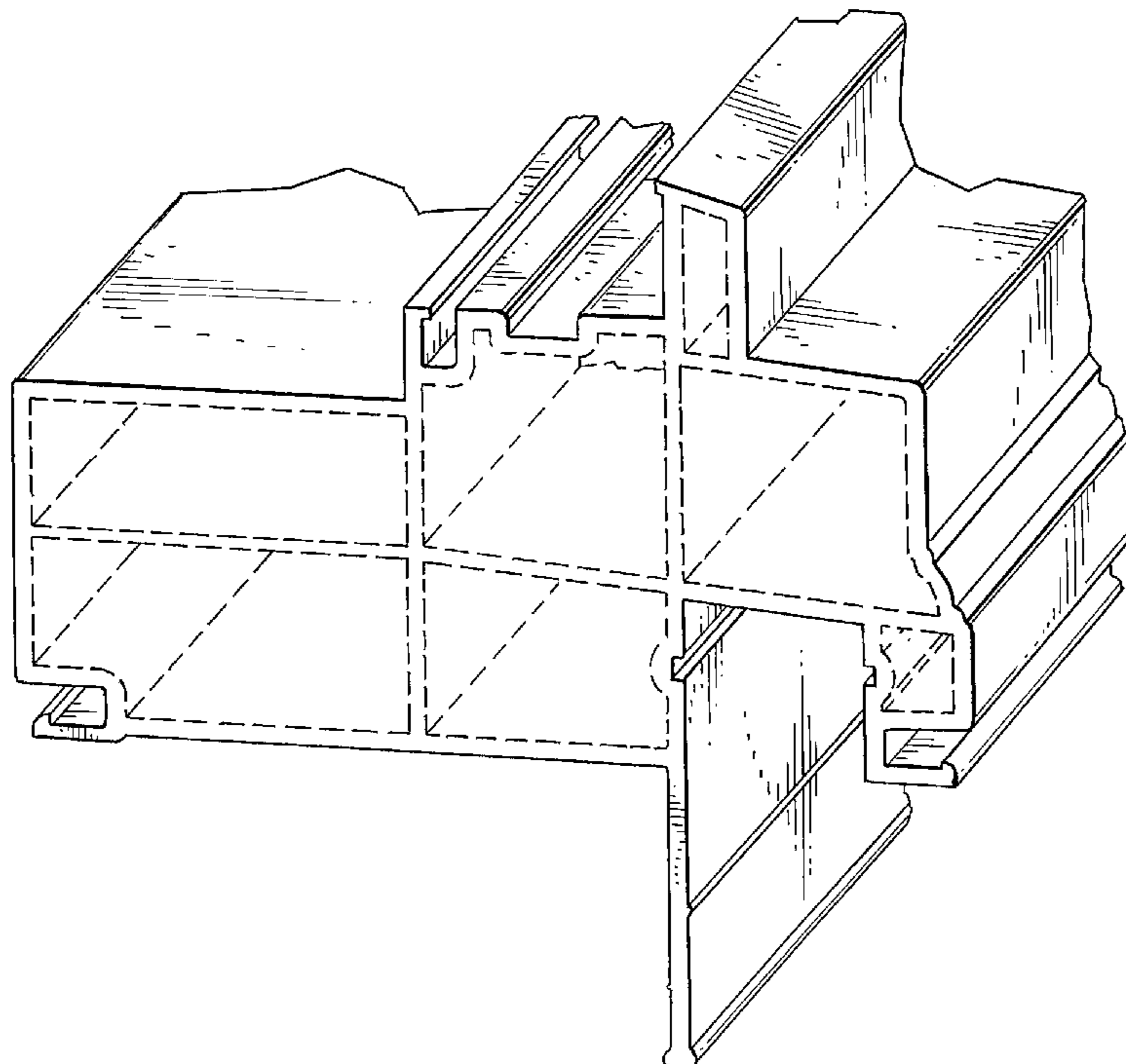
The broken lines are for illustrative purposes only and form no part of the claimed design.

(56) **References Cited**

U.S. PATENT DOCUMENTS

D452,574	S *	12/2001	Edger	D25/124
6,334,283	B1 *	1/2002	Edger	52/204.1

1 Claim, 3 Drawing Sheets



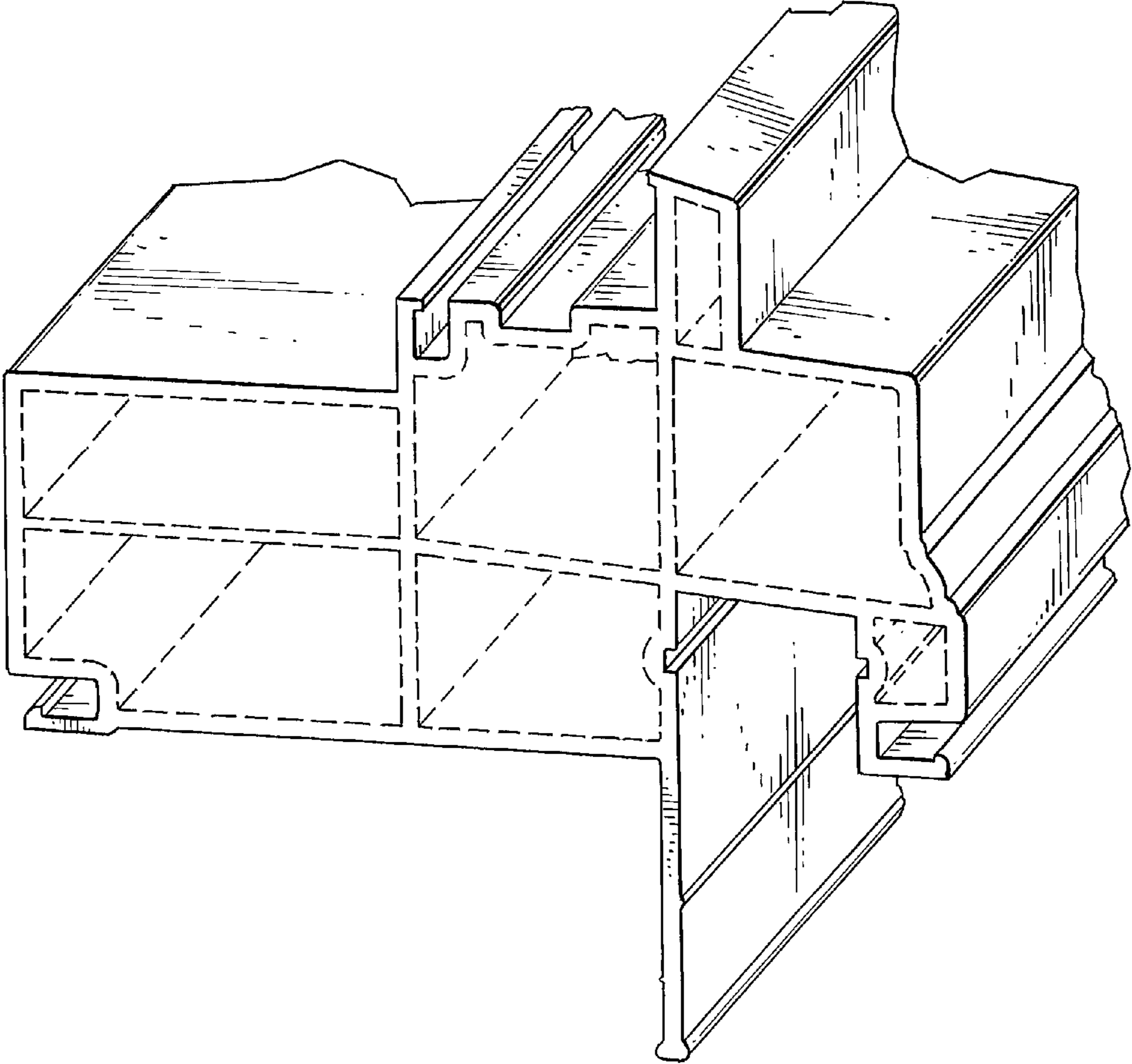


Fig. 1

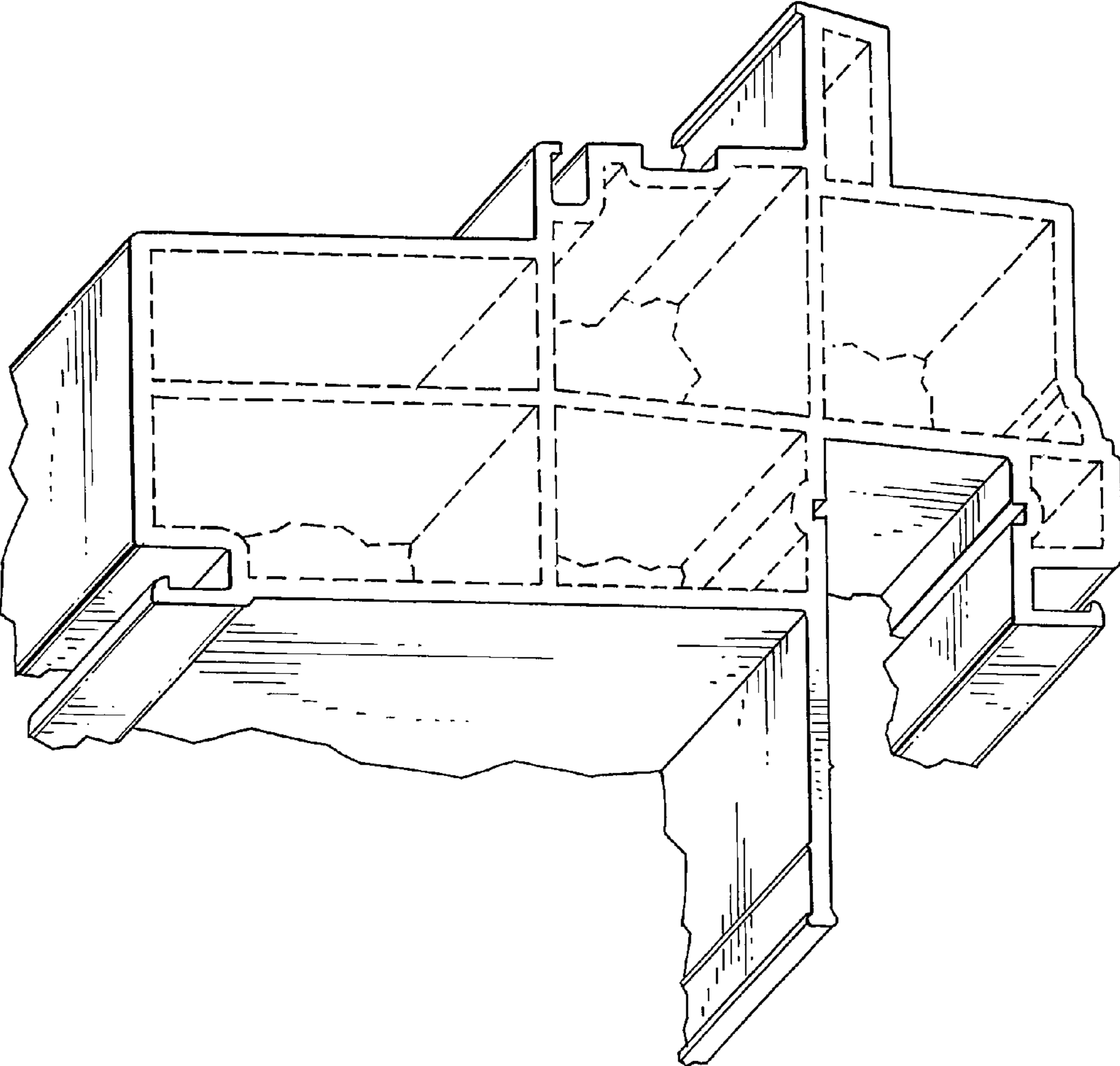


Fig. 2

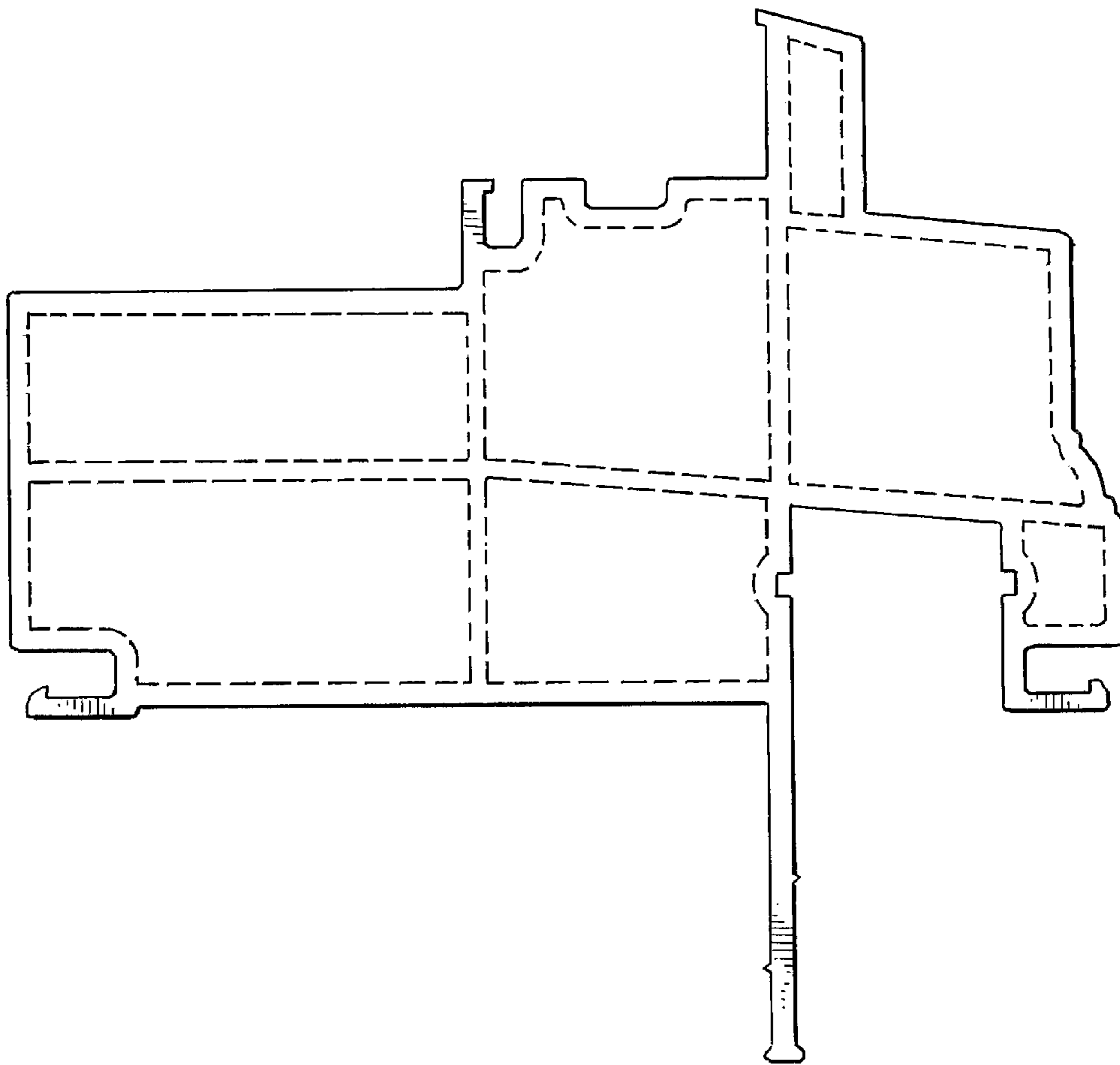


Fig. 3