



US00D727532S

(12) **United States Design Patent**
Eversley et al.

(10) **Patent No.:** **US D727,532 S**
(45) **Date of Patent:** **** Apr. 21, 2015**

(54) **SCUFFGUARD FOR A STAIR RISER**

(71) Applicants: **Naomi Eversley**, Charlotte, NC (US);
Ronald Eversley, Charlotte, NC (US)

(72) Inventors: **Naomi Eversley**, Charlotte, NC (US);
Ronald Eversley, Charlotte, NC (US)

(**) Term: **14 Years**

(21) Appl. No.: **29/453,780**

(22) Filed: **May 2, 2013**

(51) **LOC (10) Cl.** **25-04**

(52) **U.S. Cl.**
USPC **D25/69**

(58) **Field of Classification Search**
USPC 52/190, 179, 181, 741.2, 741.3;
442/151; 248/40.1, 198; D25/69
See application file for complete search history.

(56) **References Cited**

U.S. PATENT DOCUMENTS

1,662,611	A	3/1928	Hyman	
1,684,328	A	9/1928	Molinelli	
2,436,139	A	2/1948	Clark	
4,985,095	A	1/1991	Riddle	
5,475,953	A *	12/1995	Greenfield	52/179
5,657,832	A *	8/1997	Stevens	182/1
6,279,880	B1 *	8/2001	Hawks, Jr.	256/67
D500,860	S *	1/2005	Westby et al.	D25/69

7,216,447	B2	5/2007	Bateman
2002/0189177	A1	12/2002	Eve et al.
2008/0295422	A1	12/2008	Neuhofer, Jr.
2009/0277104	A1	11/2009	McCool

* cited by examiner

Primary Examiner — Doris Clark

(74) *Attorney, Agent, or Firm* — Jeffrey C. Watson; Balsler & Grell IP Law

(57) **CLAIM**

The ornamental design for a scuffguard for a stair riser, as shown and described.

DESCRIPTION

FIG. 1 is a perspective view of a scuffguard for a stair riser showing our new design.

FIG. 2 is a front perspective view of the scuffguard for a stair riser.

FIG. 3 is a back perspective view thereof.

FIG. 4 is a front elevation view thereof.

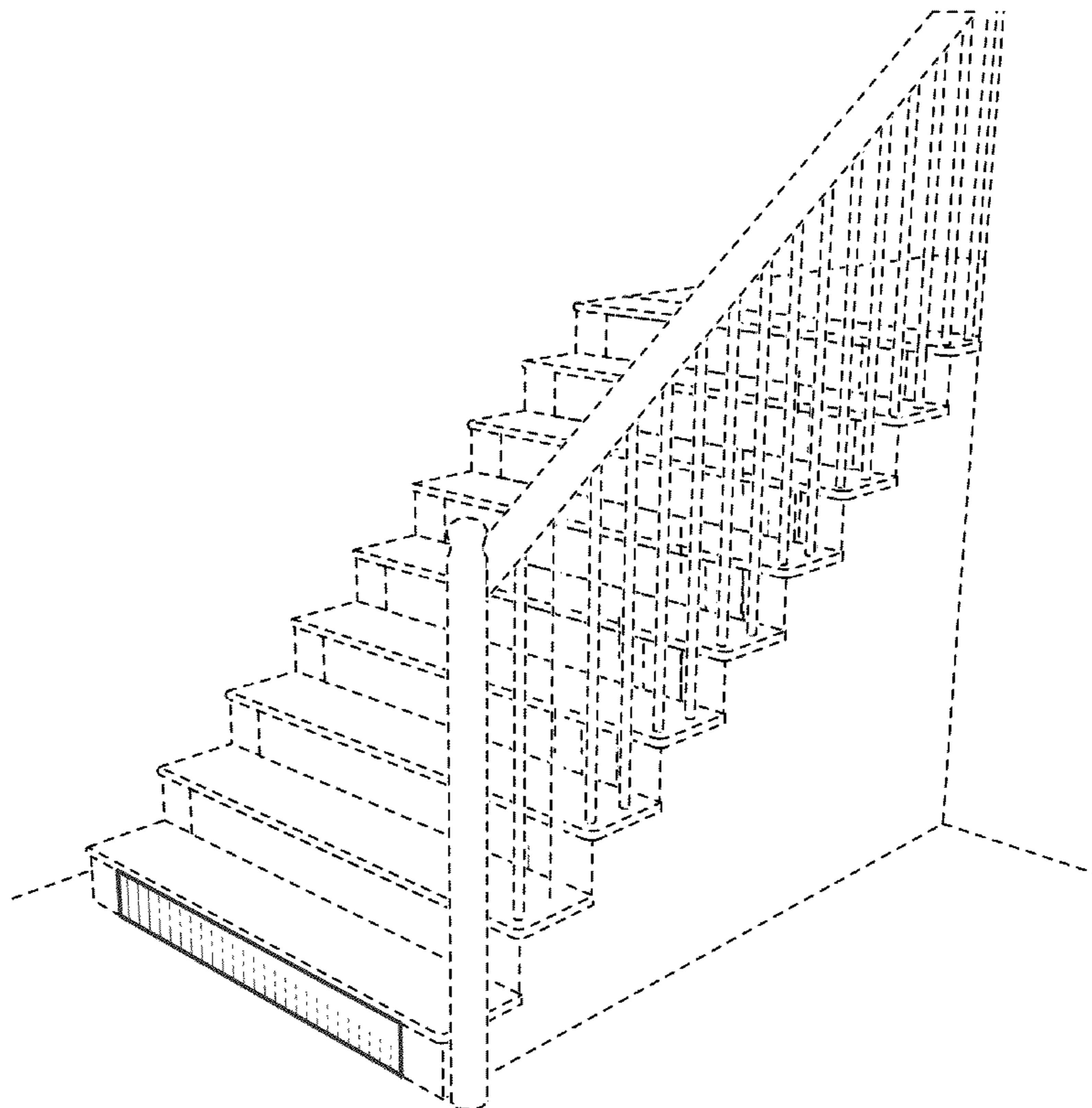
FIG. 5 is a back elevation view thereof.

FIG. 6 is a top plan view thereof.

FIG. 7 is an enlarged top plan view taken at 7 of FIG. 6; and, FIG. 8 is a side elevation view thereof.

The broken lines showing a staircase with additional scuffguards are for illustrative purposes only and form no part of the claimed design.

1 Claim, 3 Drawing Sheets



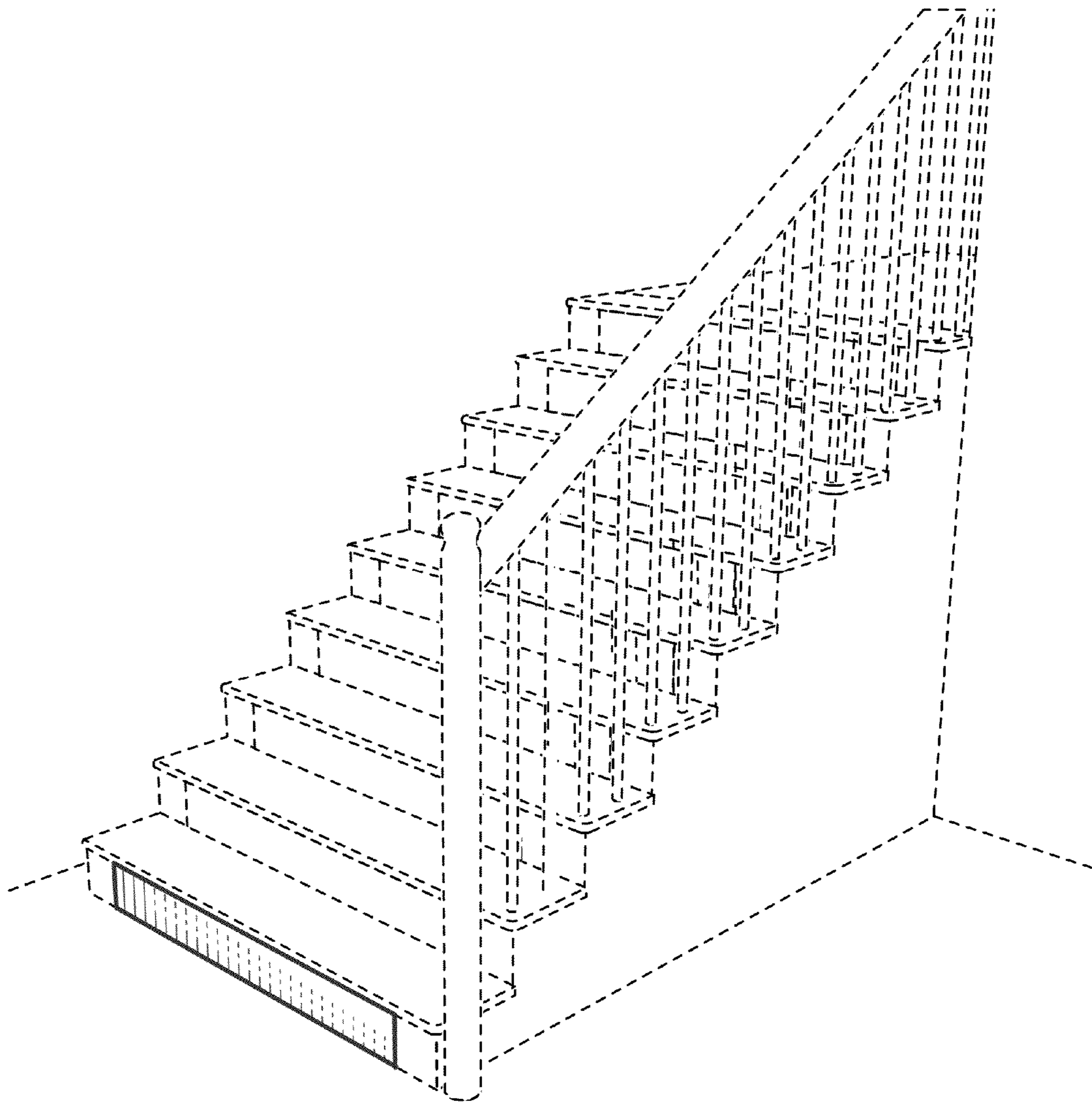
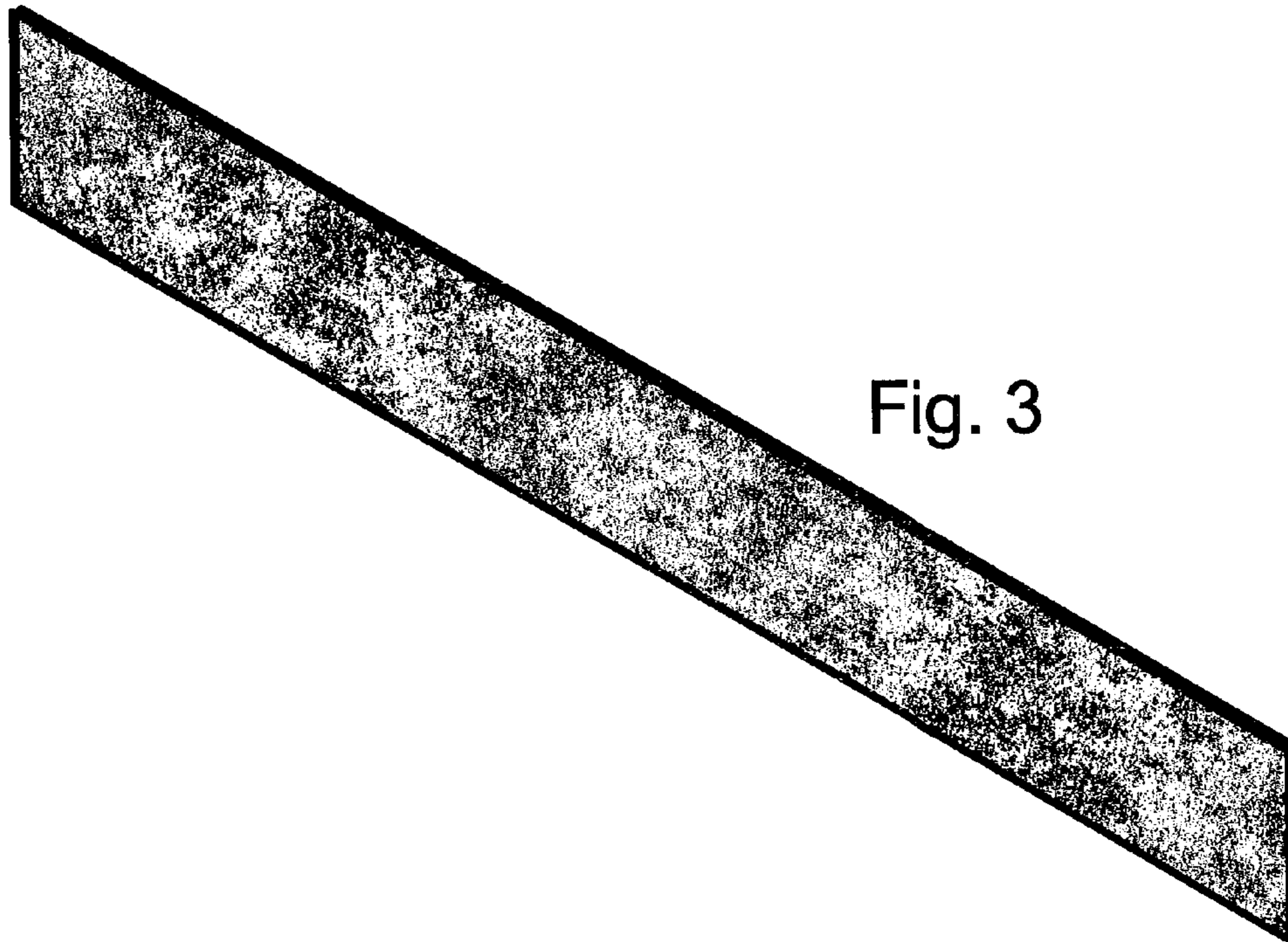
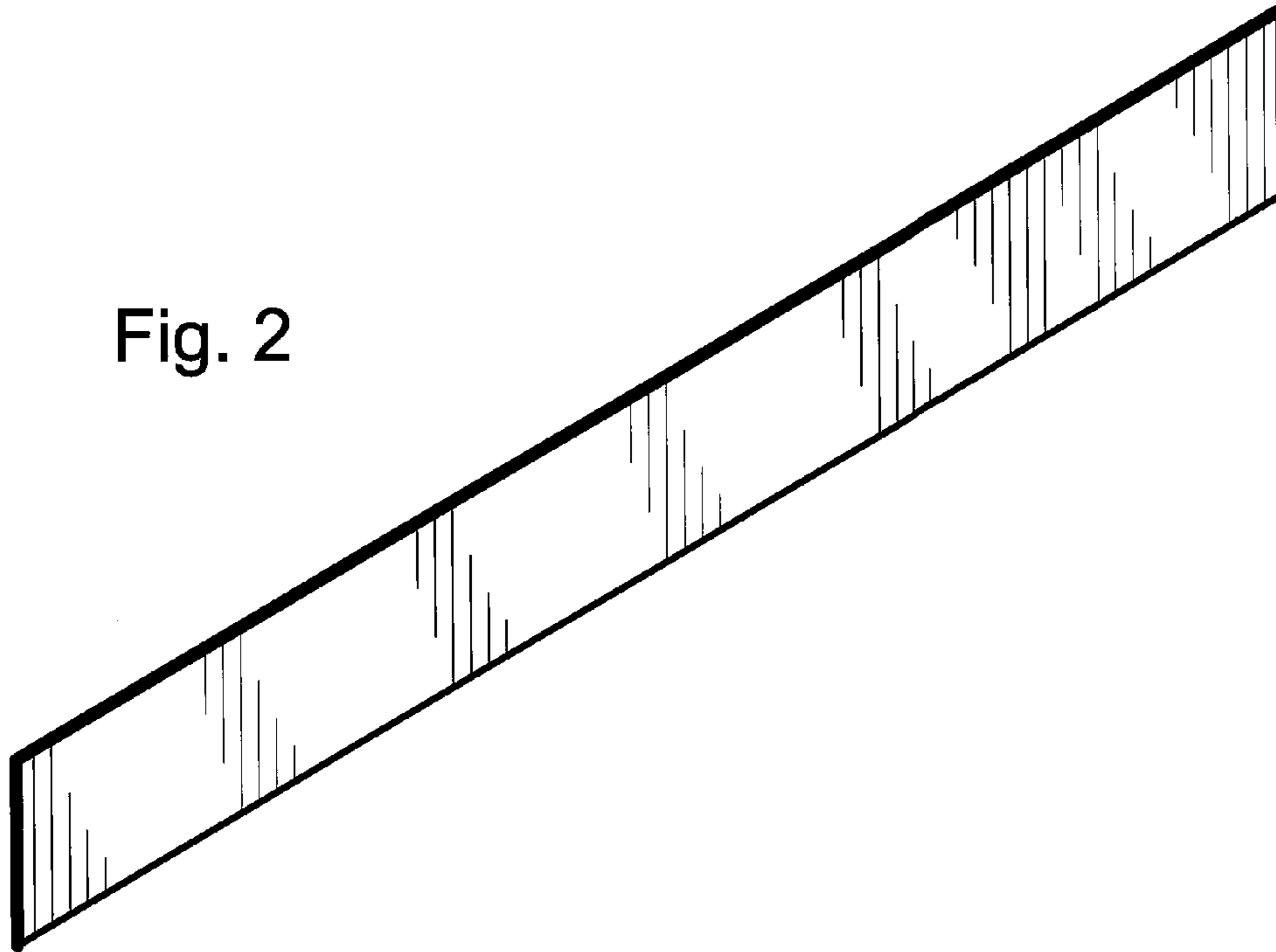


Fig. 1



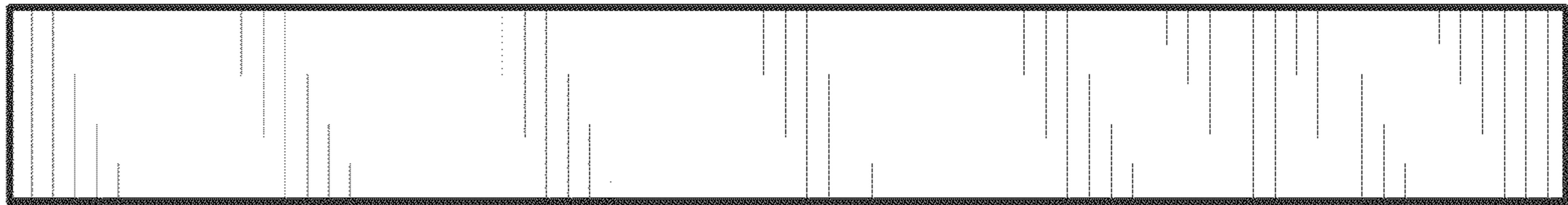


Fig. 4

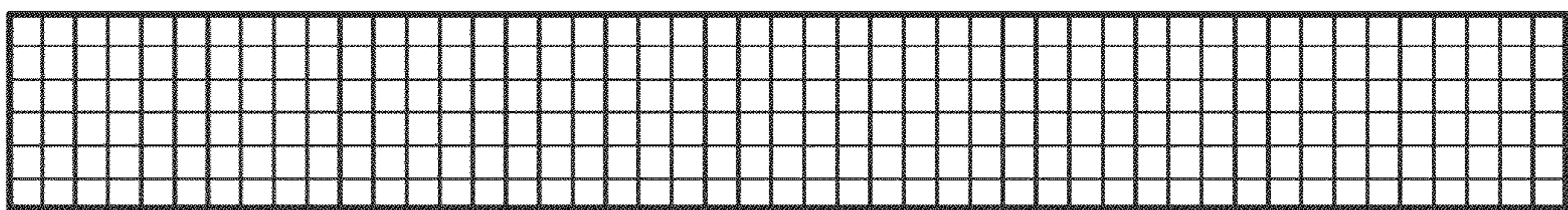


Fig. 5



Fig. 6



Fig. 7



Fig. 8