



US00D727531S

(12) **United States Design Patent**
Gill et al.

(10) **Patent No.:** **US D727,531 S**

(45) **Date of Patent:** **** Apr. 21, 2015**

(54) **WIND RESISTANT MODULAR ISO BUILDING**

(71) Applicants: **Peter E. Gill**, Tamuning, GU (US);
Peter E. Gill, III, New York, NY (US)

(72) Inventors: **Peter E. Gill**, Tamuning, GU (US);
Peter E. Gill, III, New York, NY (US)

(73) Assignee: **Kwikspace Guam**, Hagatna, GU (US)

(**) Term: **14 Years**

(21) Appl. No.: **29/496,369**

(22) Filed: **Jul. 11, 2014**

Related U.S. Application Data

(63) Continuation-in-part of application No. 14/143,057, filed on Dec. 30, 2013, which is a continuation-in-part of application No. 13/870,141, filed on Apr. 25, 2013, now Pat. No. 8,640,396.

(51) **LOC (10) Cl.** **25-03**

(52) **U.S. Cl.**
USPC **D25/32; D25/22**

(58) **Field of Classification Search**
USPC D25/1-37; 52/79.1, 79.4; 135/87, 901
See application file for complete search history.

(56) **References Cited**

U.S. PATENT DOCUMENTS

3,236,014 A * 2/1966 Edgar 52/270
D221,068 S * 7/1971 Yasuhara et al. D25/22
D226,074 S * 1/1973 Glisson D25/18

3,845,592 A * 11/1974 Patena 52/93.2
D259,740 S * 6/1981 Levin D25/11
4,342,180 A * 8/1982 Gibson et al. 52/745.2
D268,702 S * 4/1983 Todd D25/22
RE31,746 E * 11/1984 Dimmer et al. 296/98
4,957,323 A * 9/1990 Johnson 296/24.39
D390,970 S * 2/1998 Abrams D25/22
D421,311 S * 2/2000 Kalka D25/22
D489,460 S * 5/2004 Gardner et al. D25/16
D532,525 S * 11/2006 Caldwell D25/22
7,712,265 B2 * 5/2010 Overmyer et al. 52/143
D683,047 S 5/2013 Gill et al.

* cited by examiner

Primary Examiner — Garth Rademaker

Assistant Examiner — Samantha Q Lawrence

(74) *Attorney, Agent, or Firm* — Donald J. Ersler

(57) **CLAIM**

The ornamental design for a wind resistant modular ISO building, as shown and described.

DESCRIPTION

FIG. 1 is a top perspective view of a wind resistant modular ISO building showing our new design;

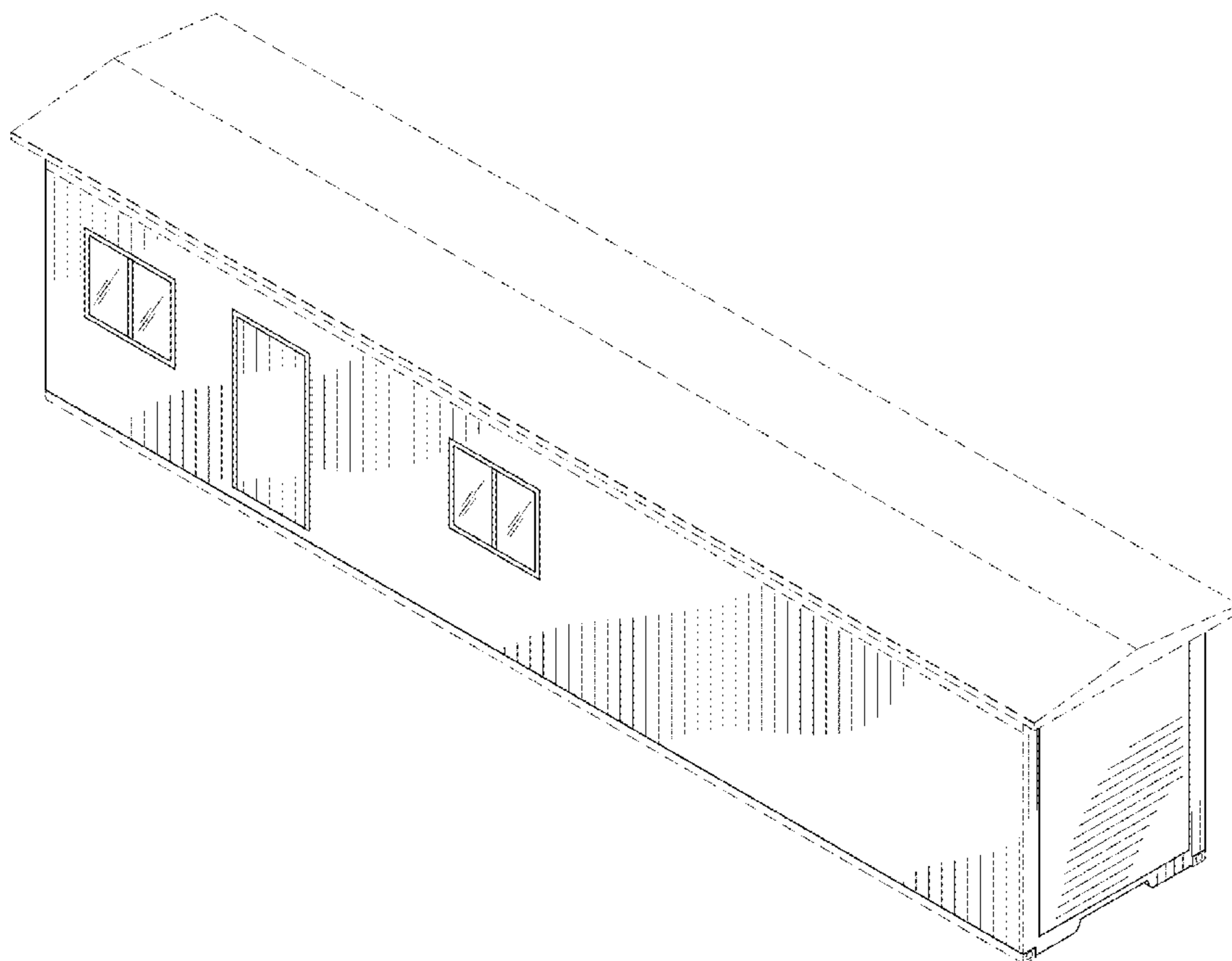
FIG. 2 is a front view of the wind resistant modular ISO building;

FIG. 3 is a left side view of the wind resistant modular ISO building, the right side view being identical thereto; and,

FIG. 4 is a top plan view of the wind resistant modular ISO building.

The broken lines shown in the drawings illustrate portions of the wind resistant modular ISO building that forms no part of the claimed invention.

1 Claim, 4 Drawing Sheets



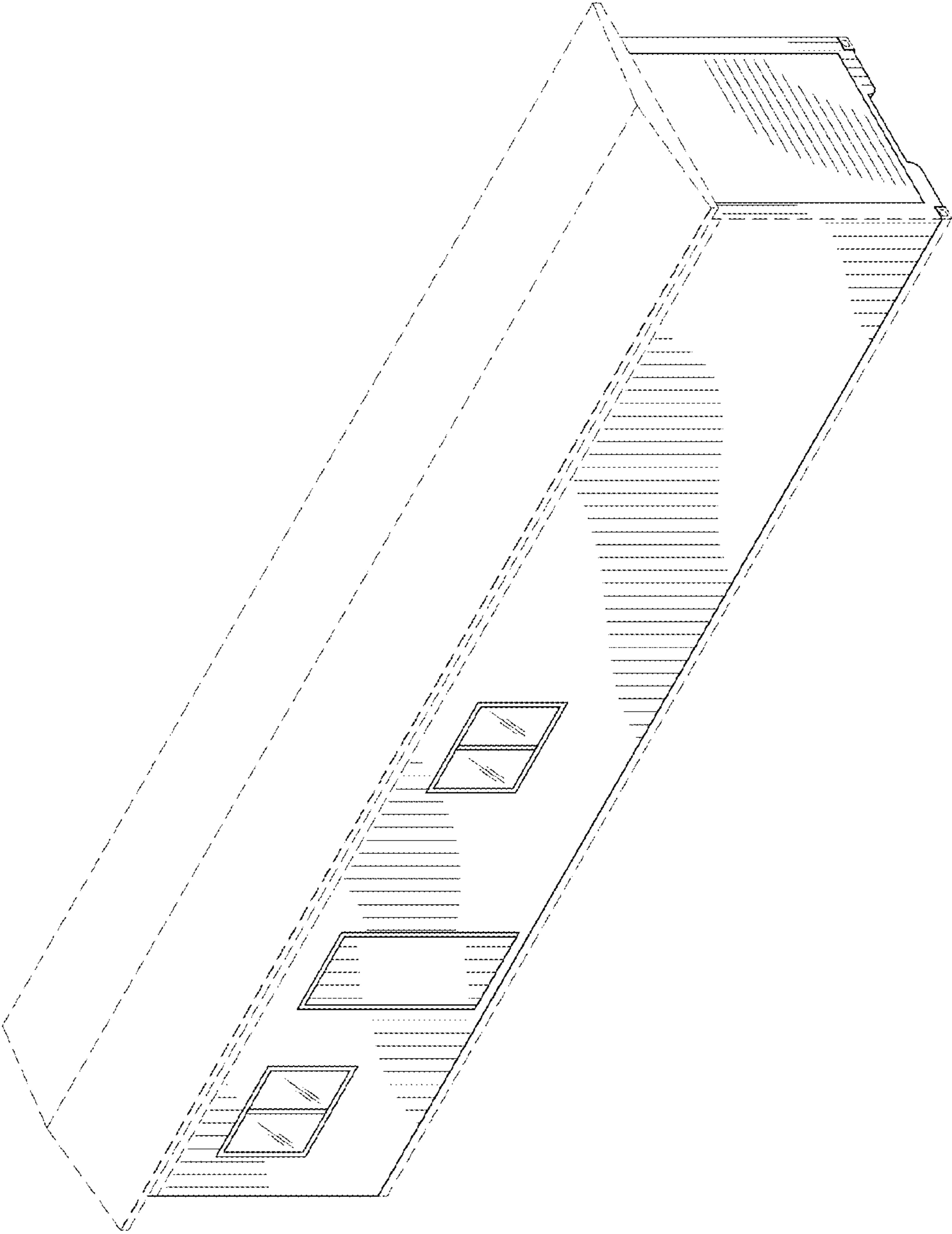


FIG. 1

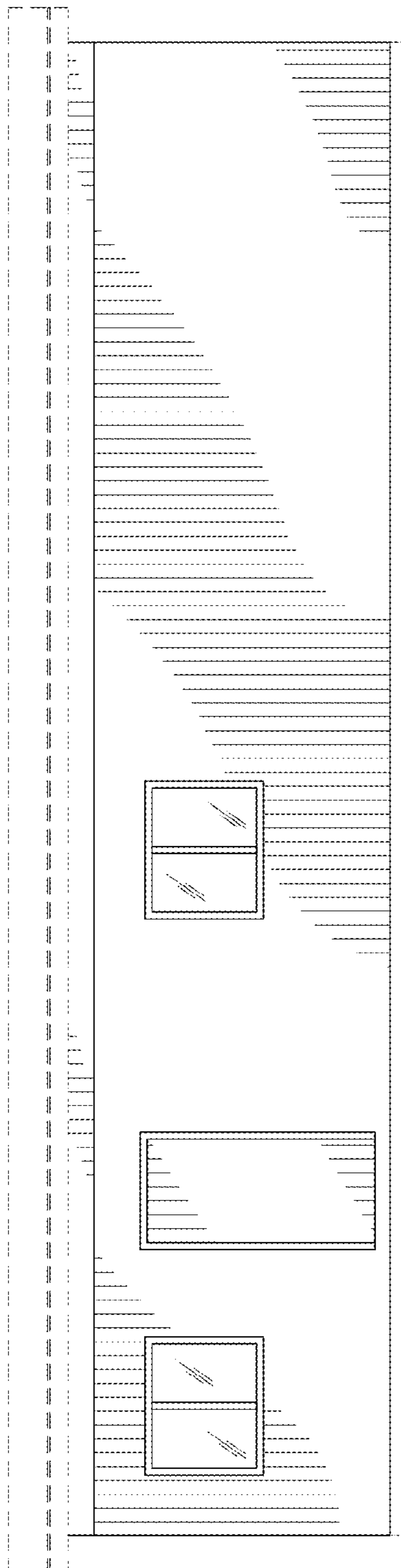


FIG. 2

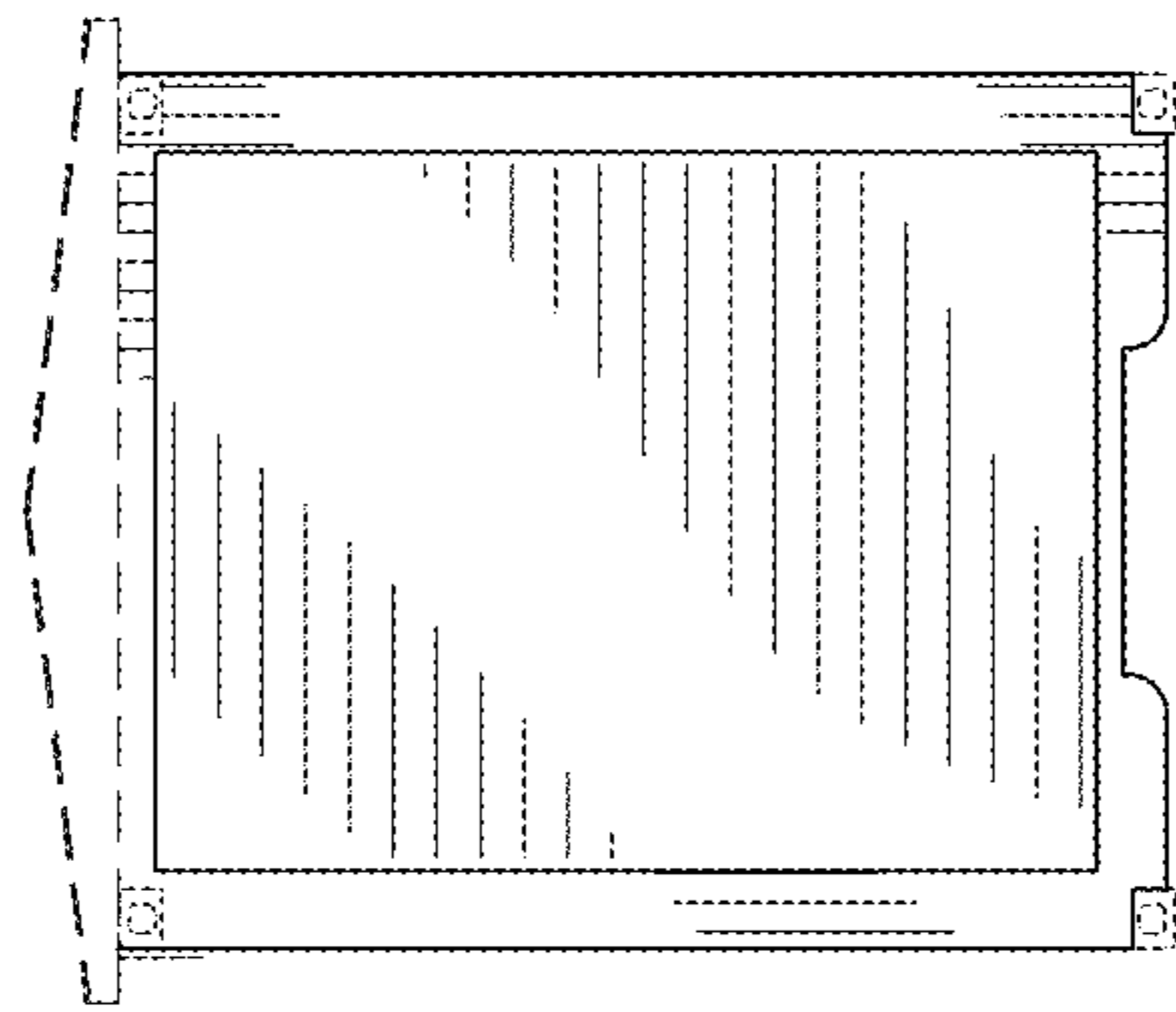


FIG. 3

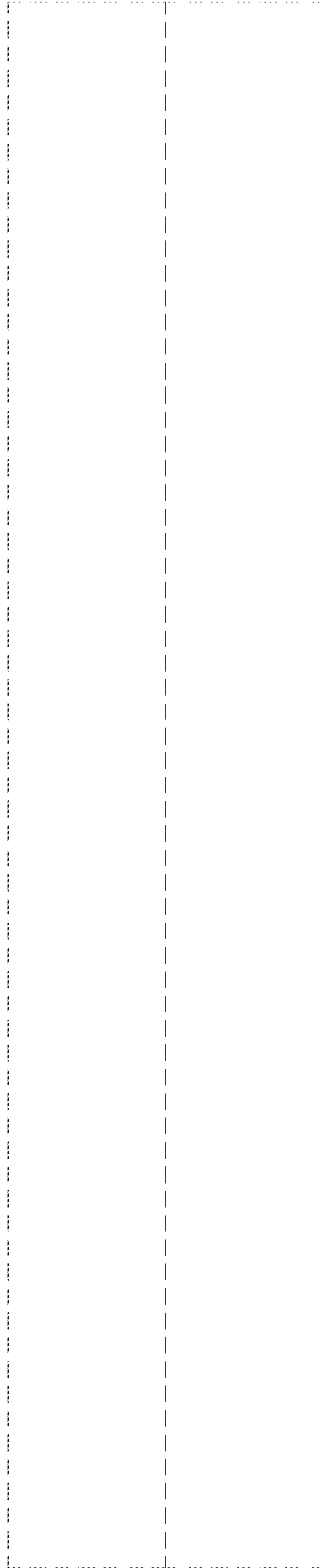


FIG. 4