

US00D727530S

(12) **United States Design Patent**
Mulhausen et al.

(10) **Patent No.:** **US D727,530 S**
(45) **Date of Patent:** **** Apr. 21, 2015**

(54) **KIOSK**
(71) Applicant: **Briggo, Inc.**, Austin, TX (US)
(72) Inventors: **Jeffrey William Mulhausen**, Austin, TX (US); **Yves Behar**, San Francisco, CA (US); **Gabriel Joshua Lamb**, Burlingame, CA (US); **Liam Robert Adelman**, San Francisco, CA (US)

D270,119 S 8/1983 Rhodenbaugh
D293,735 S 1/1988 Ault
4,932,668 A * 6/1990 Stewart 273/256
D316,178 S 4/1991 Uemura
D493,304 S * 7/2004 Shaw D6/476
D504,519 S 4/2005 Wehner
D536,204 S 2/2007 Isett et al.
D544,287 S 6/2007 Joss et al.
D556,493 S 12/2007 Isett et al.
D681,030 S 4/2013 Yopez

(73) Assignee: **Briggo, Inc.**, Austin, TX (US)
(**) Term: **14 Years**

OTHER PUBLICATIONS
Notice of Allowance for Design U.S. Appl. No. 29/450,185, dated Dec. 4, 2014, 8 pages.
Design U.S. Appl. No. 291450,171, filed Mar. 15, 2013, 3 pages.
Design U.S. Appl. No. 291450,185, filed Mar. 15, 2013, 3 pages.

(21) Appl. No.: **29/450,197**
(22) Filed: **Mar. 15, 2013**
(51) **LOC (10) Cl.** **25-03**
(52) **U.S. Cl.**
USPC **D25/32**
(58) **Field of Classification Search**
USPC D25/1; D3/281, 905, 276; D6/670;
D7/300, 305, 307; D21/350, 386, 532;
D12/423, 218; 52/79.1-79.6
See application file for complete search history.

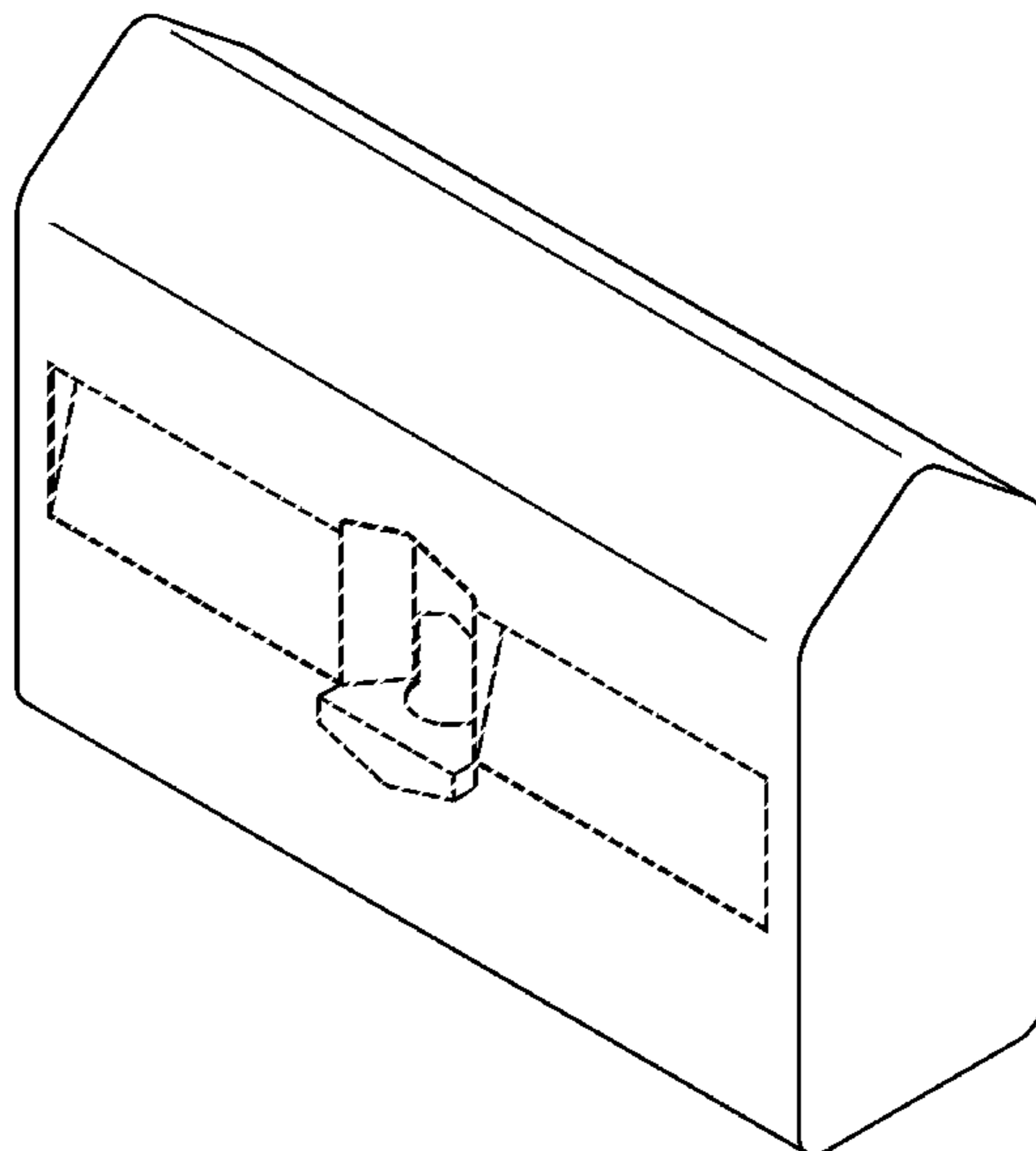
* cited by examiner
Primary Examiner — Garth Rademaker
Assistant Examiner — Samantha Q Lawrence
(74) *Attorney, Agent, or Firm* — Reising Ethington P.C.

(56) **References Cited**
U.S. PATENT DOCUMENTS
2,026,082 A 12/1935 Darrow
D222,315 S 10/1971 Abraham
3,708,779 A * 1/1973 Enright et al. 439/392
4,122,944 A 10/1978 De Napoli
4,360,205 A * 11/1982 Rimbold 273/256

(57) **CLAIM**
The ornamental design for a kiosk, as shown and described.
DESCRIPTION

FIG. 1 is a perspective view of a kiosk showing our new design.
FIG. 2 is a front view of the kiosk of FIG. 1.
FIG. 3 is a top view of the kiosk of FIG. 1.
FIG. 4 is a left side view of the kiosk of FIG. 1; and,
FIG. 5 is a right side view of the kiosk of FIG. 1.
The broken lines shown in the drawings indicate an exemplary user service area that forms no part of the invention.

1 Claim, 2 Drawing Sheets



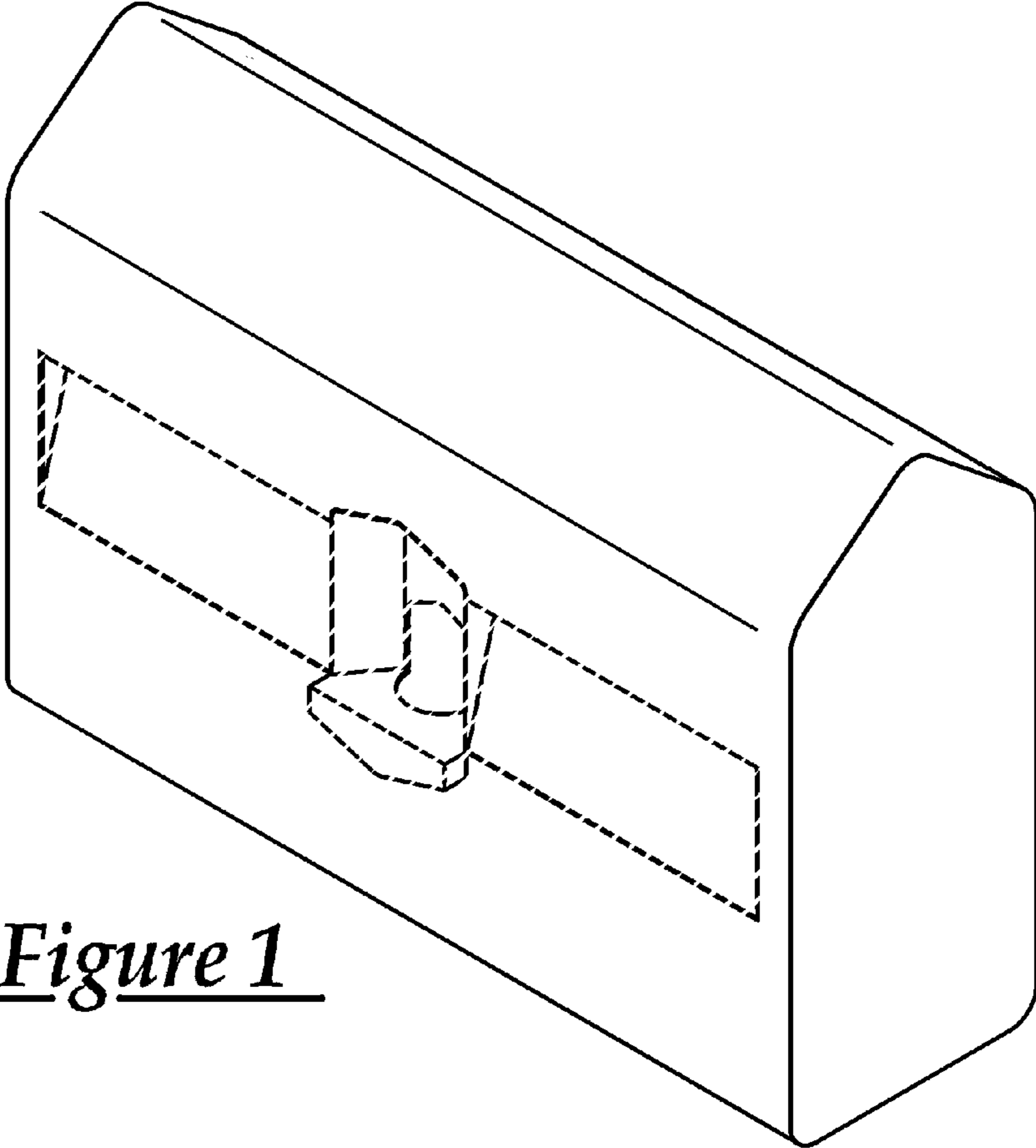


Figure 1

Figure 2

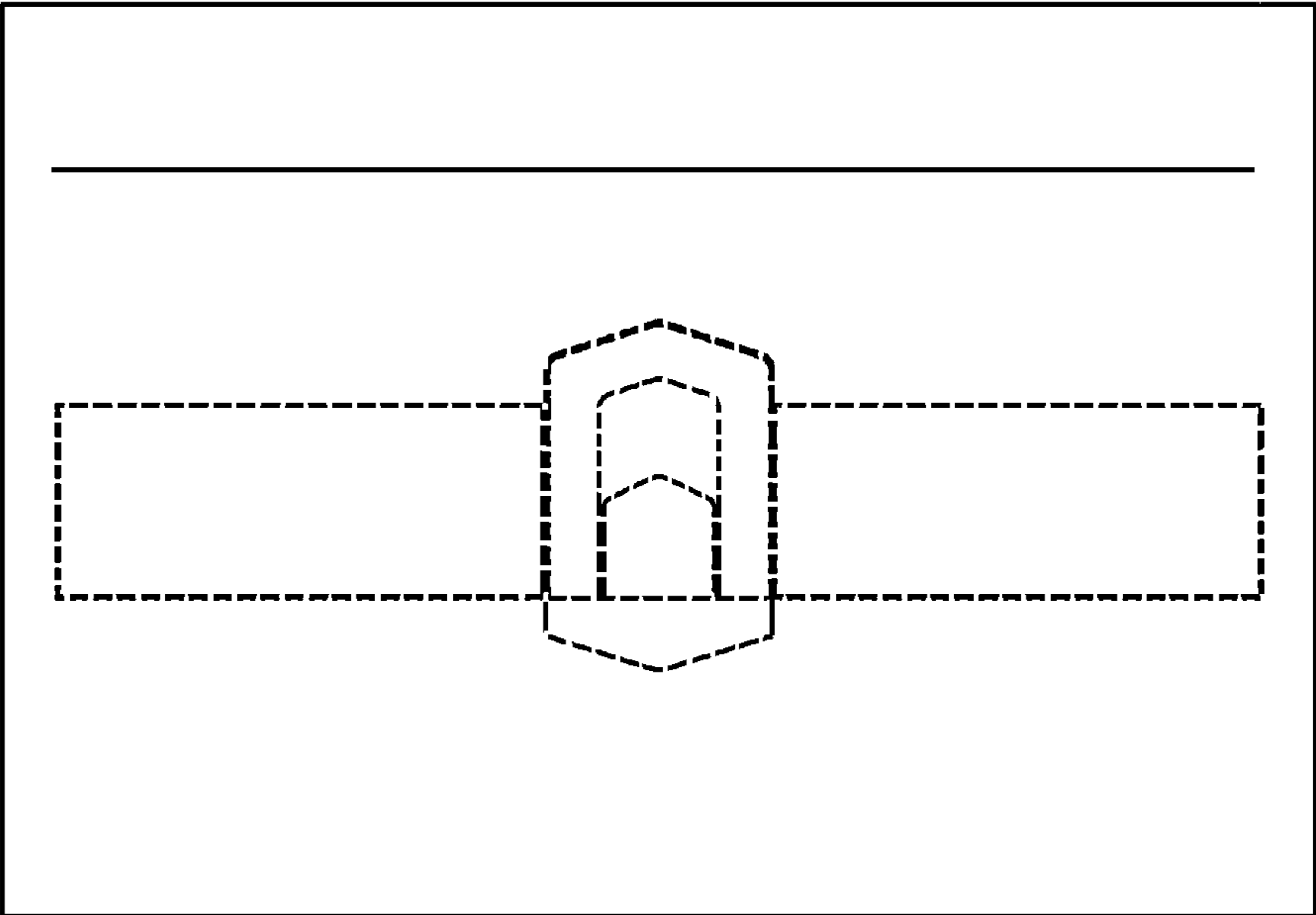




Figure 3

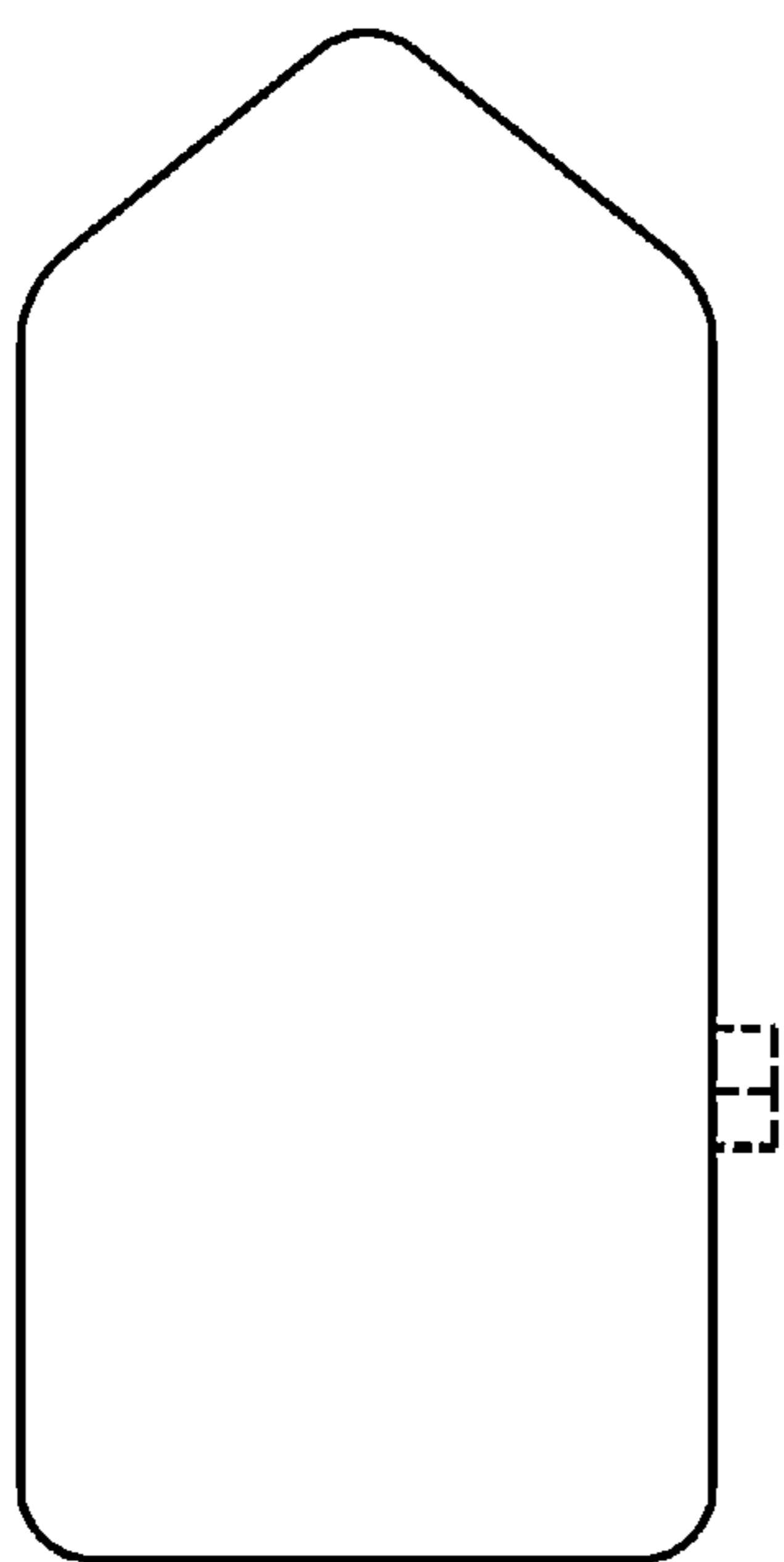


Figure 4

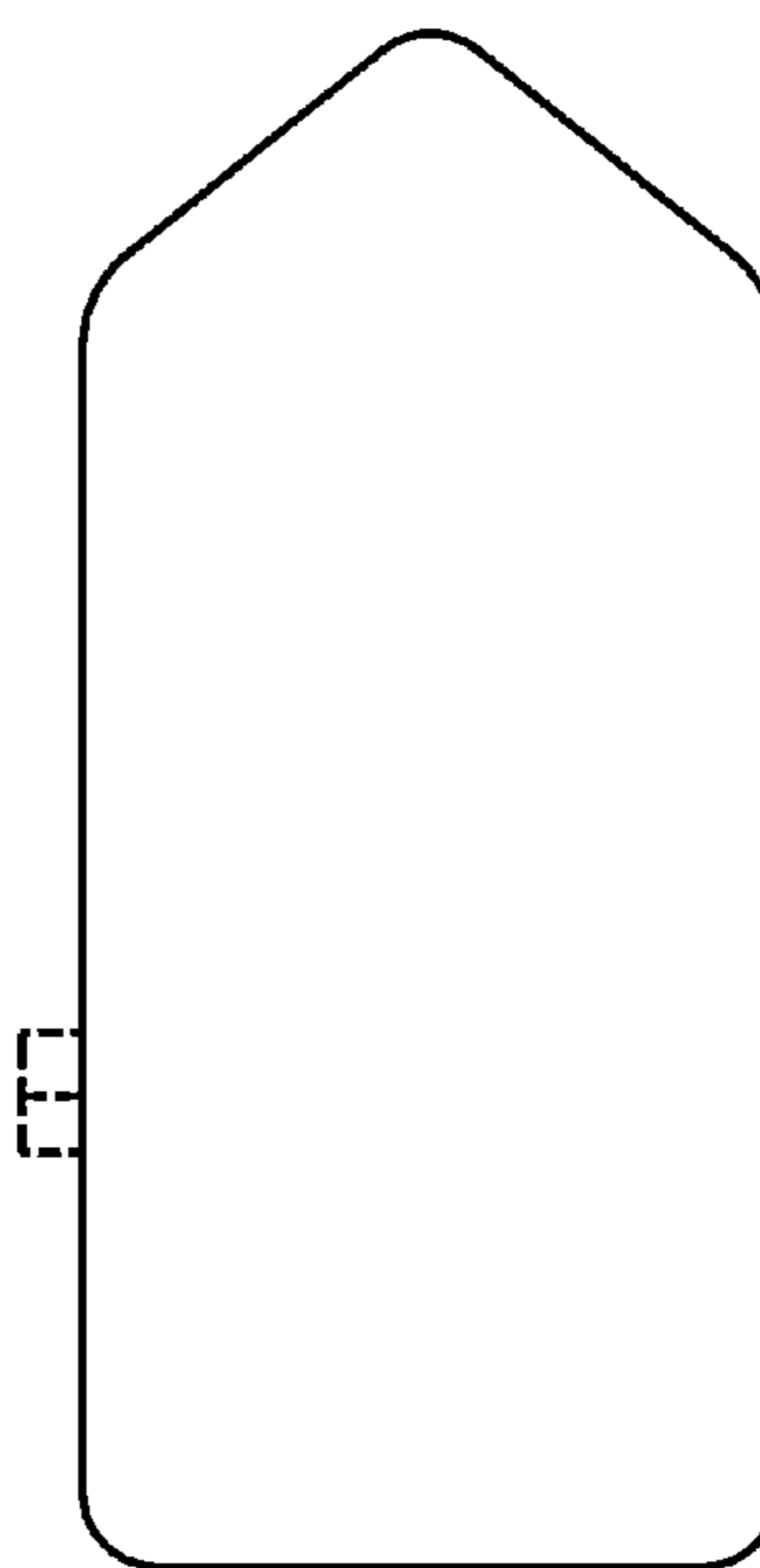


Figure 5