



US00D727529S

(12) **United States Design Patent**
Mulhausen et al.

(10) **Patent No.:** **US D727,529 S**

(45) **Date of Patent:** **** Apr. 21, 2015**

(54) **KIOSK**

(71) Applicant: **Briggo, Inc.**, Austin, TX (US)

(72) Inventors: **Jeffrey William Mulhausen**, Austin, TX (US); **Yves Behar**, San Francisco, CA (US); **Gabriel Joshua Lamb**, Burlingame, CA (US); **Liam Robert Adelman**, San Francisco, CA (US)

(73) Assignee: **Briggo, Inc.**, Austin, TX (US)

(**) Term: **14 Years**

(21) Appl. No.: **29/450,185**

(22) Filed: **Mar. 15, 2013**

(51) **LOC (10) Cl.** **25-03**

(52) **U.S. Cl.**
USPC **D25/1**

(58) **Field of Classification Search**
USPC D25/1; D3/281, 905, 276; D6/670;
D7/300, 305, 307; D21/350, 386, 532;
D12/423, 218; 52/79.1-79.6
See application file for complete search history.

(56) **References Cited**

U.S. PATENT DOCUMENTS

2,026,082 A * 12/1935 Darrow 273/256
D222,315 S * 10/1971 Abraham D3/284

4,122,944 A * 10/1978 De Napoli 206/349
D270,119 S * 8/1983 Rhodenbaugh D6/545
D293,735 S * 1/1988 Ault D3/291
D316,178 S * 4/1991 Uemura D6/633
D504,519 S * 4/2005 Wehner D25/33
D536,204 S * 2/2007 Isett et al. D7/305
D544,287 S * 6/2007 Joss et al. D7/306
D556,493 S * 12/2007 Isett et al. D7/305
D681,030 S * 4/2013 Yopez D14/307

* cited by examiner

Primary Examiner — Garth Rademaker

Assistant Examiner — Samantha Q Lawrence

(74) *Attorney, Agent, or Firm* — Reising Ethington P.C.

(57) **CLAIM**

The ornamental design for a kiosk, as shown and described.

DESCRIPTION

FIG. 1 is a perspective view of an embodiment of a kiosk showing our new design.

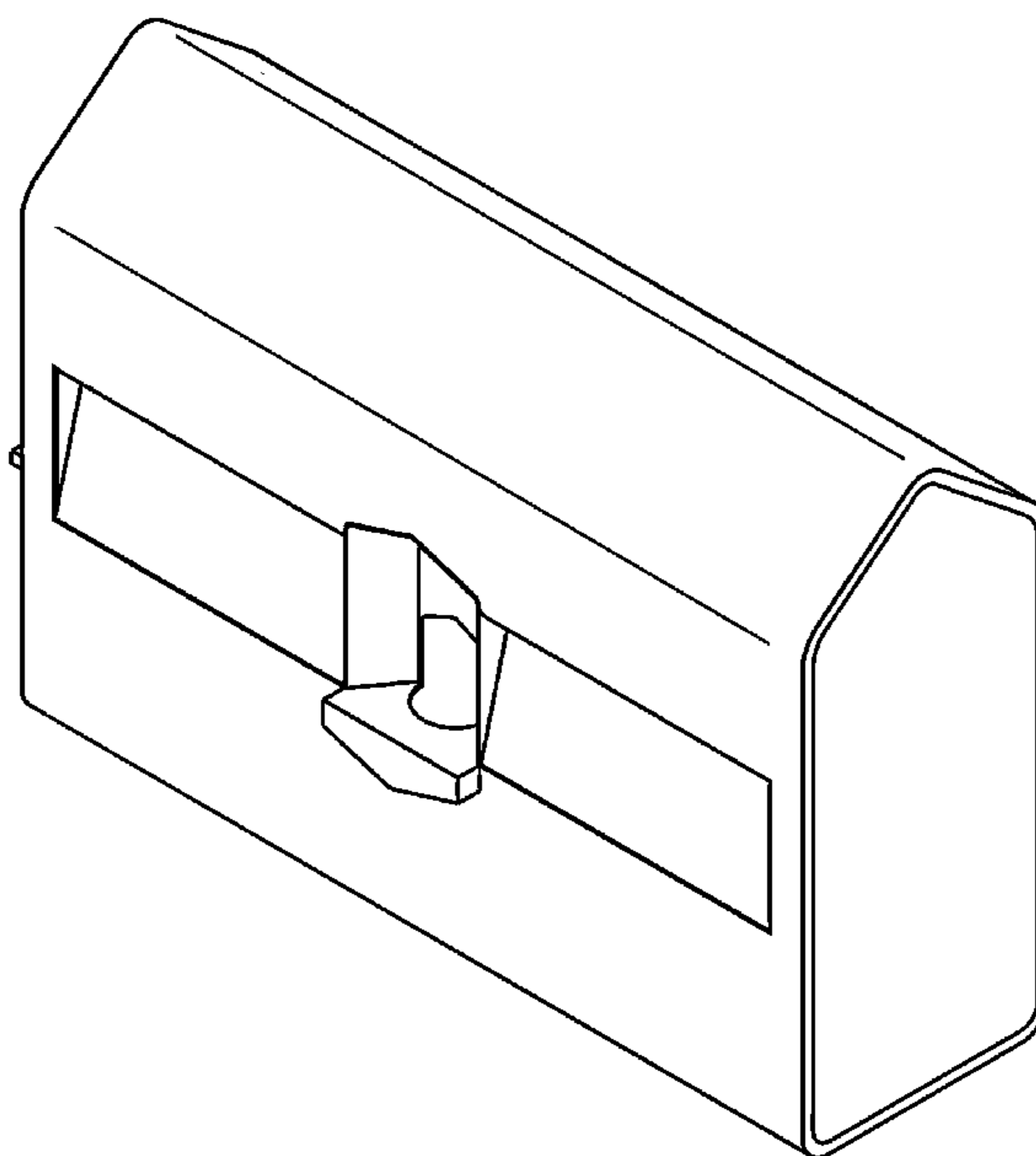
FIG. 2 is a front view of the kiosk of FIG. 1.

FIG. 3 is a top view of the kiosk of FIG. 1.

FIG. 4 is a left side view of the kiosk of FIG. 1; and,

FIG. 5 is a right side view of the kiosk of FIG. 1.

1 Claim, 2 Drawing Sheets



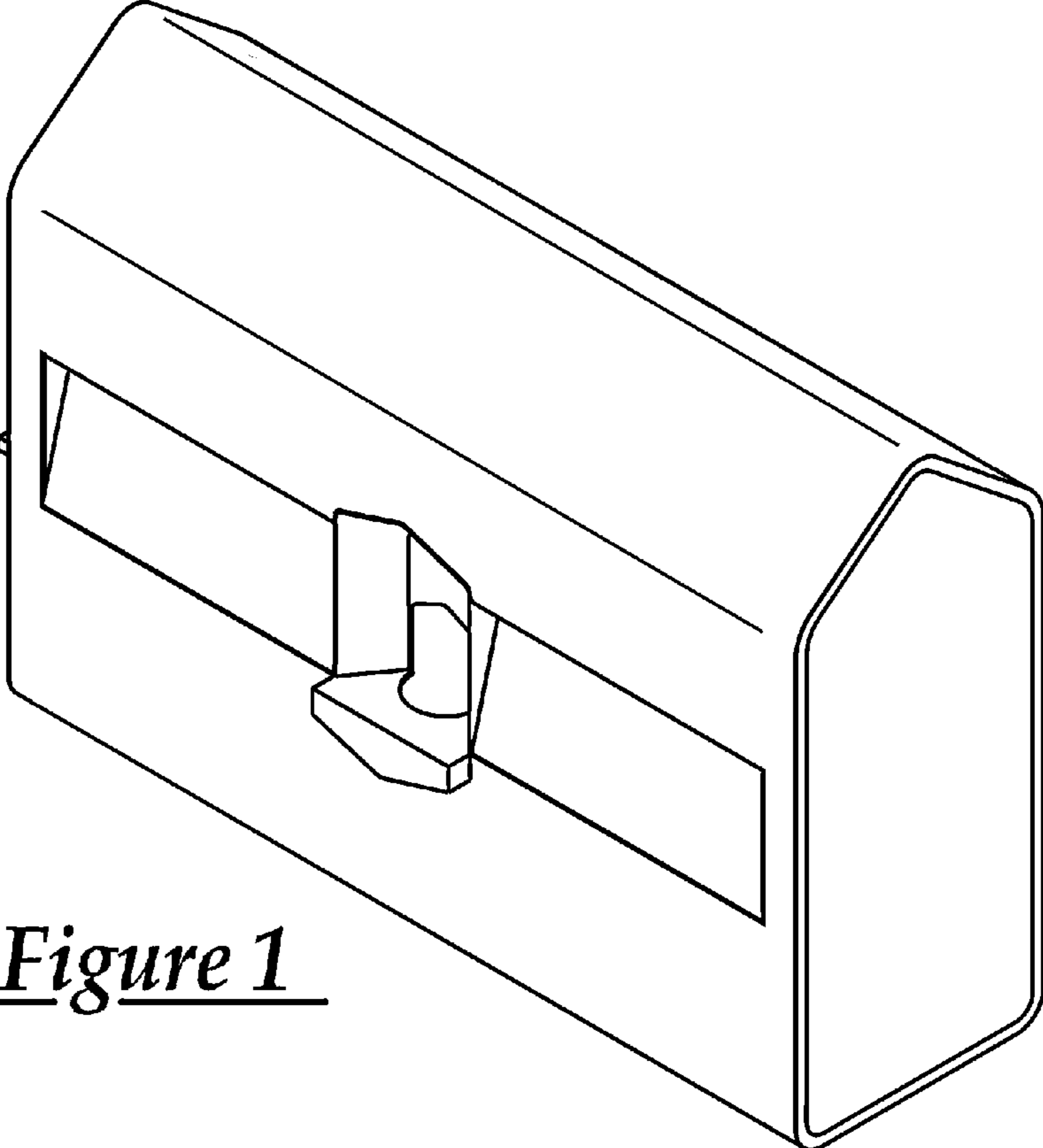
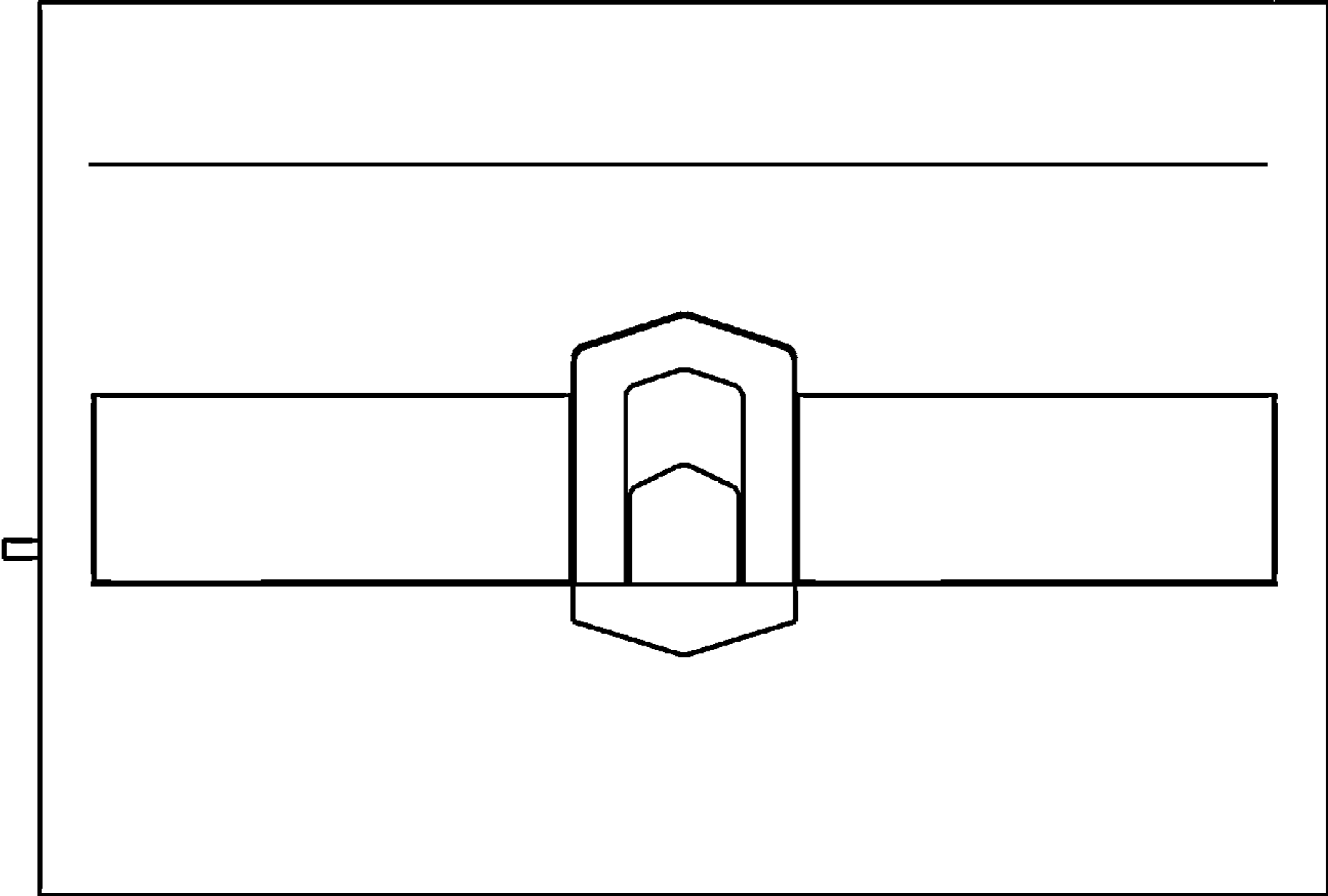


Figure 1

Figure 2



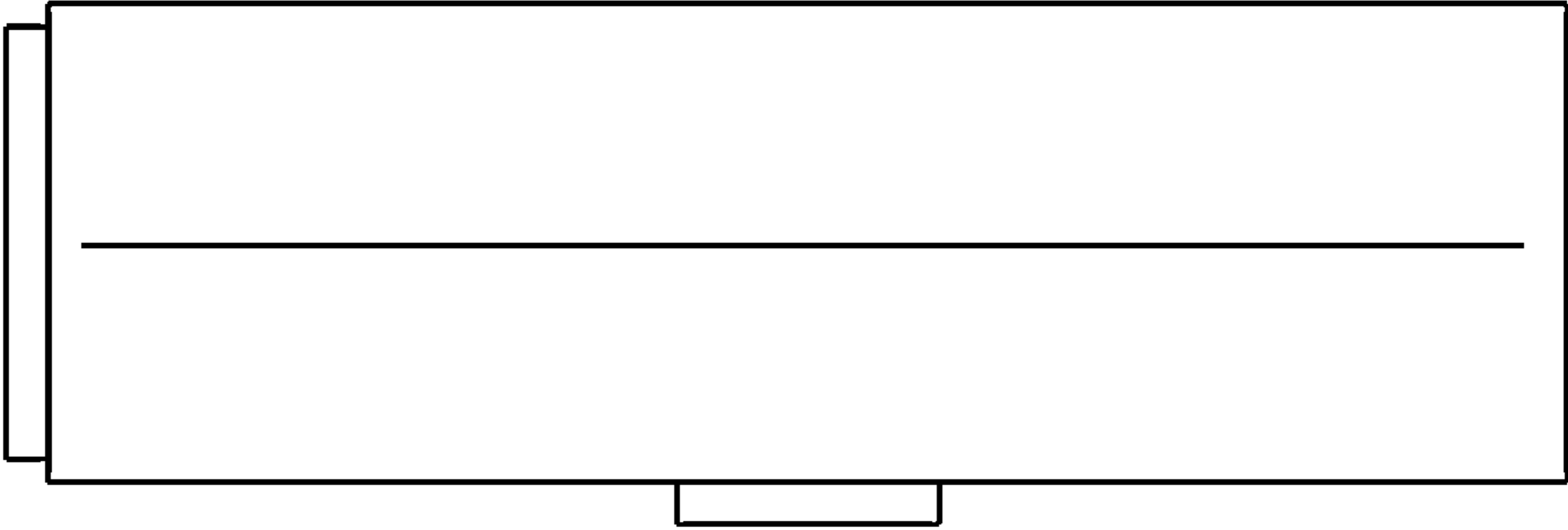


Figure 3

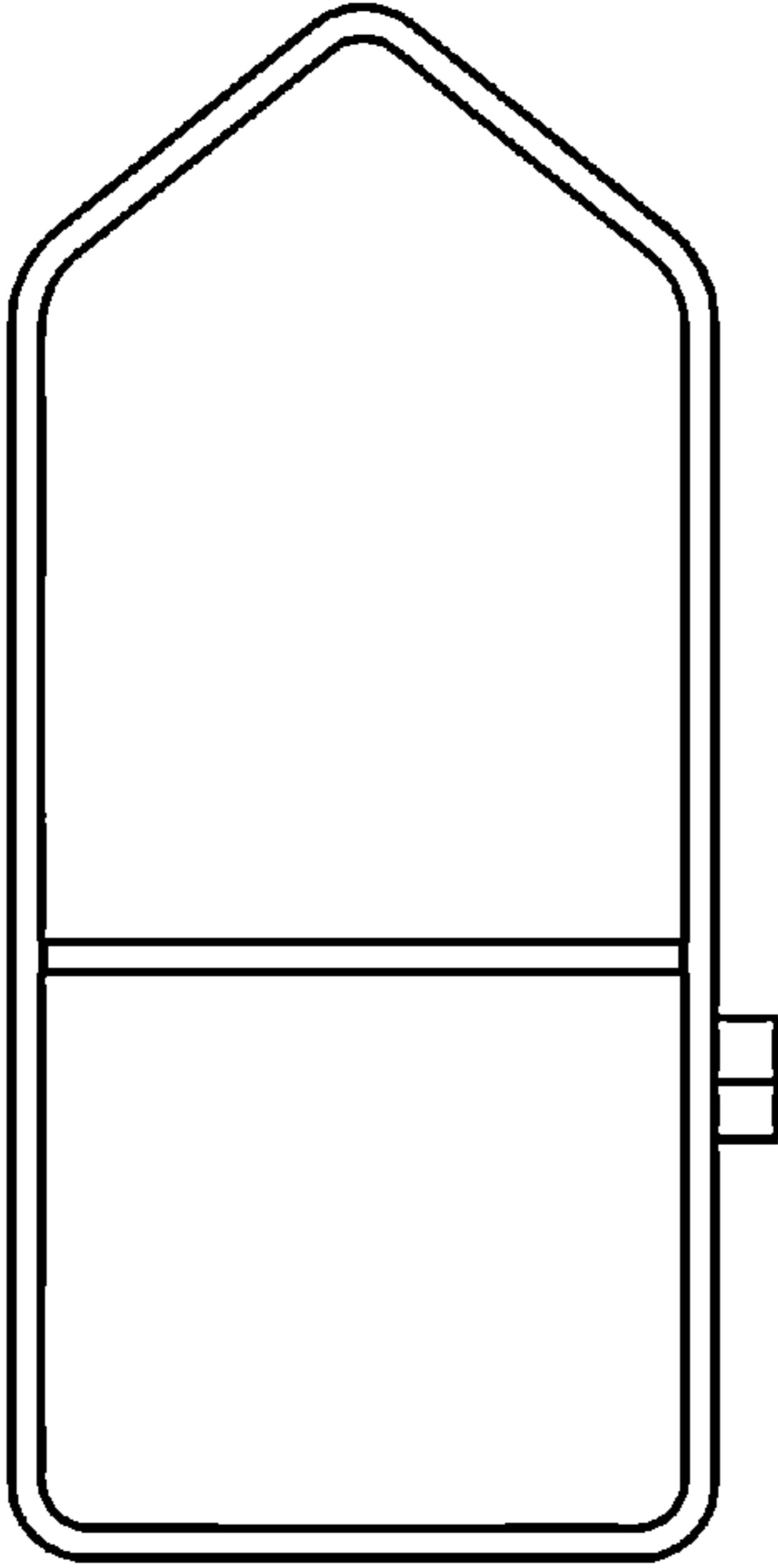


Figure 4

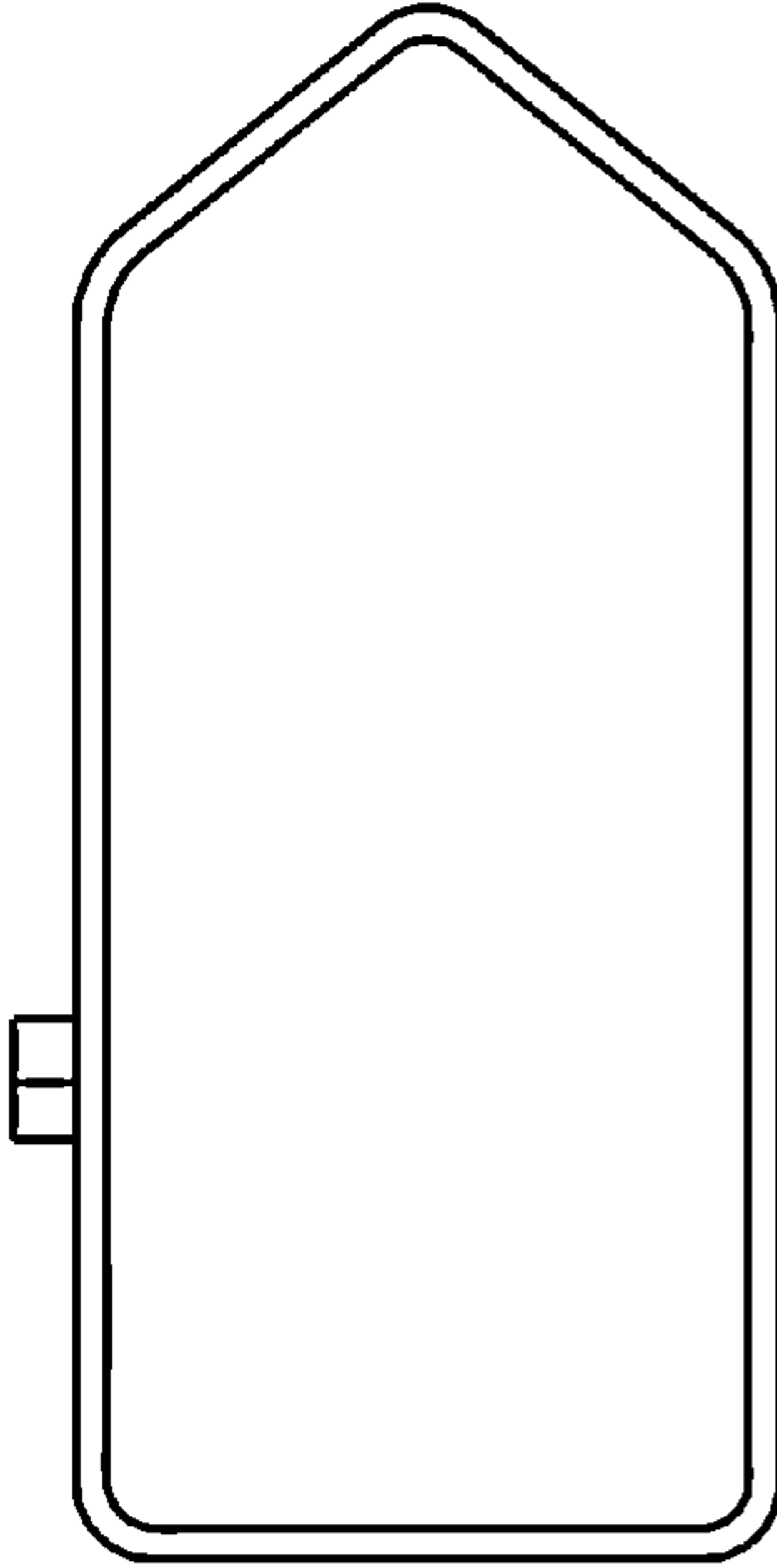


Figure 5