



US00D727527S

(12) **United States Design Patent**
Tao

(10) **Patent No.:** **US D727,527 S**
(45) **Date of Patent:** **** Apr. 21, 2015**

(54) **CRYOPRESERVATION AND STORAGE DEVICE**

(71) Applicant: **Jun Tao**, Mesa, AZ (US)

(72) Inventor: **Jun Tao**, Mesa, AZ (US)

(**) Term: **14 Years**

(21) Appl. No.: **29/450,666**

(22) Filed: **Mar. 20, 2013**

(51) **LOC (10) Cl.** **24-02**

(52) **U.S. Cl.**
USPC **D24/222**

(58) **Field of Classification Search**
USPC D24/222–230, 216, 231, 121; 220/375,
220/501, 1.5, 560.04; 435/2, 307.1, 374;
606/20–26; D3/203.1; 422/403, 408,
422/63, 65, 509; 62/51.1; 604/319
See application file for complete search history.

(56) **References Cited**

U.S. PATENT DOCUMENTS

3,151,760	A *	10/1964	Cowley et al.	220/501
D310,264	S *	8/1990	Leoncavallo et al.	D24/224
5,190,880	A *	3/1993	Cassou et al.	606/20
D344,804	S *	3/1994	Muniz	D24/224
5,545,562	A *	8/1996	Cassou et al.	435/307.1
D447,812	S *	9/2001	Conway	D24/216
D574,507	S *	8/2008	Muir et al.	D24/224
D588,797	S *	3/2009	Tanghoej et al.	D3/203.1
D614,396	S *	4/2010	Tanghoej et al.	D3/203.1
7,887,758	B2 *	2/2011	Ostgaard et al.	422/509
D640,795	S *	6/2011	Jackson et al.	D24/216
D659,848	S *	5/2012	TerMaat et al.	D24/224
8,372,633	B2 *	2/2013	Clairaz et al.	435/307.1
D690,025	S *	9/2013	TerMaat et al.	D24/224
8,550,273	B2 *	10/2013	Levin et al.	220/1.5
8,709,797	B2 *	4/2014	Woods	604/319

2010/0196873	A1 *	8/2010	Woods	435/2
2011/0120148	A1 *	5/2011	Yoshimura et al.	62/51.1
2011/0275153	A1 *	11/2011	Butler et al.	435/374
2014/0158695	A1 *	6/2014	Jimenez-Rios	220/560.04
2014/0308655	A1 *	10/2014	Mogas et al.	435/2

* cited by examiner

Primary Examiner — T. Chase Nelson

Assistant Examiner — Mark Cavanna

(74) *Attorney, Agent, or Firm* — Polsinelli PC

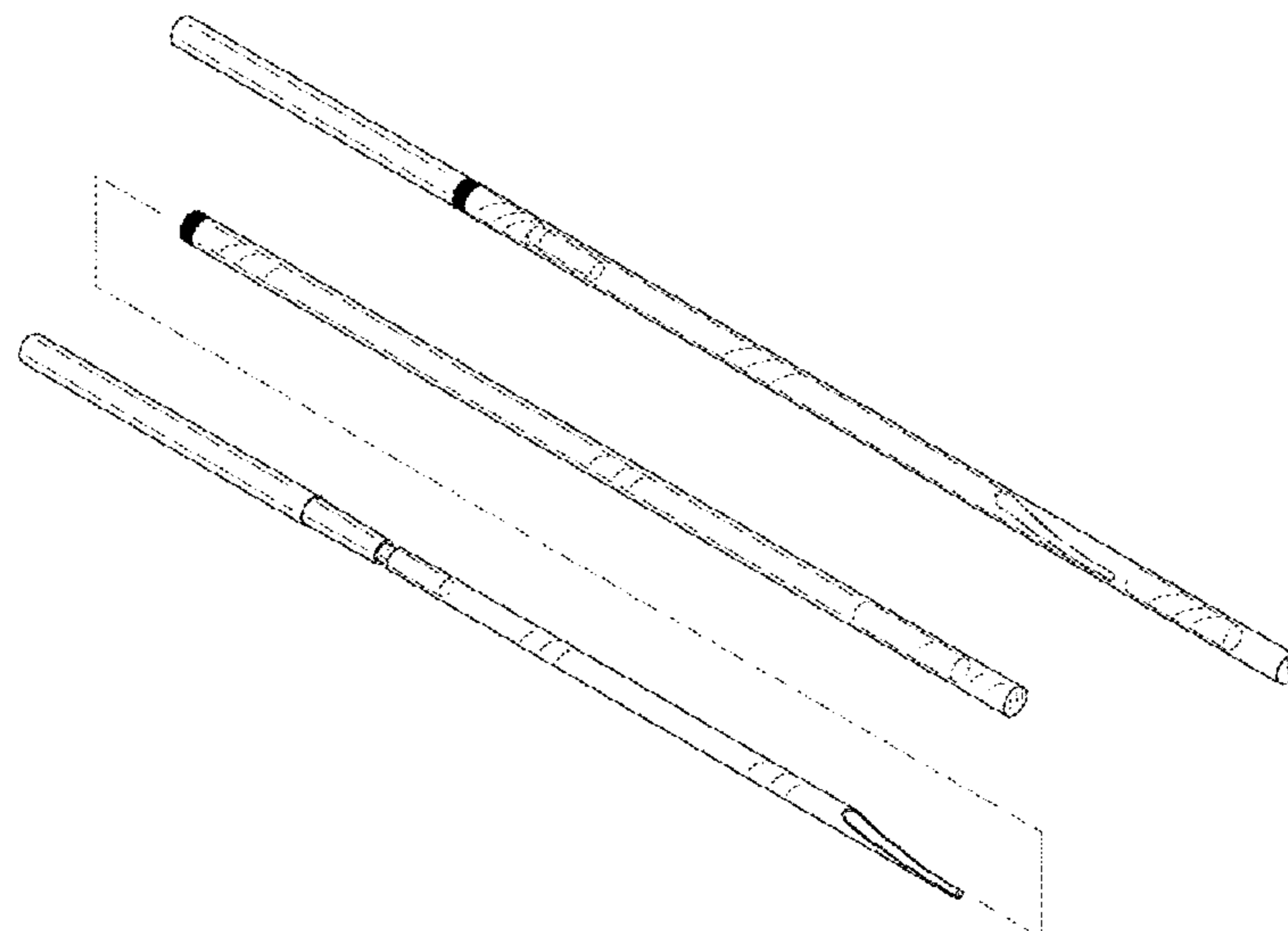
(57) **CLAIM**

The ornamental design for a cryopreservation and storage device, as shown and described.

DESCRIPTION

FIG. 1 is a perspective view of the cryopreservation and storage device;
 FIG. 2 is an exploded perspective view of the cryopreservation and storage device with the inner straw removed from the outer sleeve;
 FIG. 3 is a front view of the inner straw;
 FIG. 4 is a rear view of the inner straw;
 FIG. 5 is a top view of the inner straw;
 FIG. 6 is a bottom view of the inner straw;
 FIG. 7 is a left side view of the inner straw;
 FIG. 8 is a right side view of the inner straw;
 FIG. 9 is a front (as well as rear, top and bottom) view of the outer sleeve;
 FIG. 10 is a left side view of the outer sleeve; and,
 FIG. 11 is a right side view of the outer sleeve.
 The dot/dash broken line seen in FIG. 2 is included for the purpose of illustrating the order of assembly of the exploded view of the cryopreservation and storage device and forms no part of the claimed design.

1 Claim, 3 Drawing Sheets



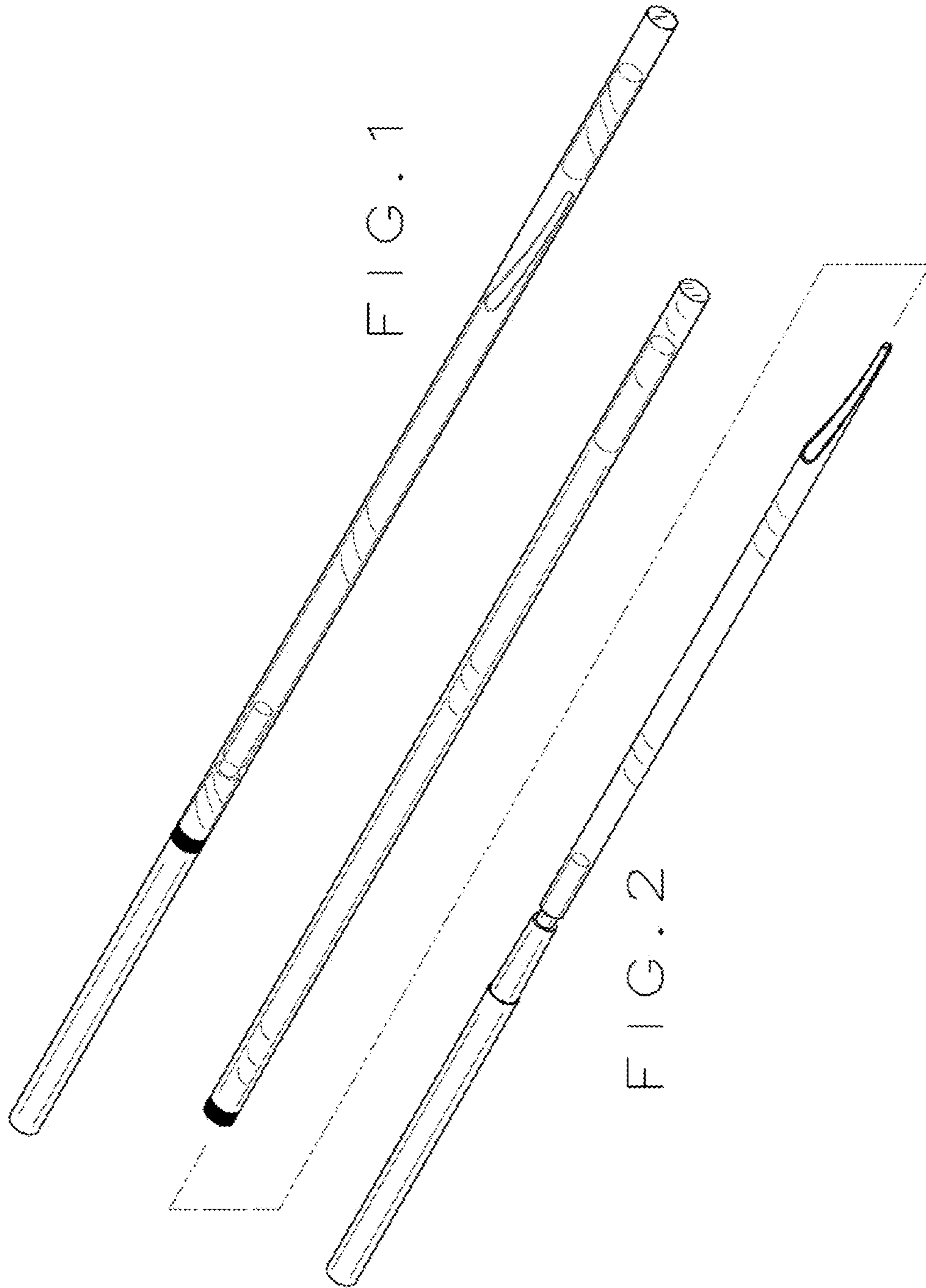


FIG. 1

FIG. 2

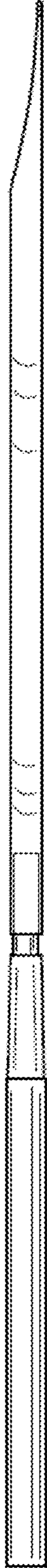


FIG. 3

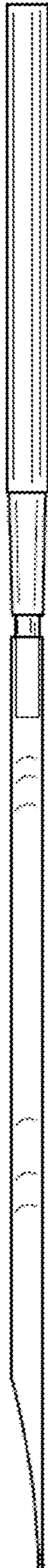


FIG. 4



FIG. 5



FIG. 6



FIG. 7



FIG. 8



FIG. 9



FIG. 10



FIG. 11