

US00D727520S

(12) **United States Design Patent**
Moorehead

(10) **Patent No.:** **US D727,520 S**
(45) **Date of Patent:** **** Apr. 21, 2015**

(54) **SPORTS THEMED MASSAGE AID**
(71) Applicant: **Kenneth Moorehead**, Vallejo, CA (US)
(72) Inventor: **Kenneth Moorehead**, Vallejo, CA (US)
(**) Term: **14 Years**
(21) Appl. No.: **29/504,106**
(22) Filed: **Oct. 2, 2014**
(51) **LOC (10) Cl.** **28-03**
(52) **U.S. Cl.**
USPC **D24/211**
(58) **Field of Classification Search**
USPC D24/200, 211, 212, 213, 214, 215;
601/112, 113, 118, 120, 123, 125, 128,
601/129, 131, 134, 135, DIG. 14, DIG. 15,
601/DIG. 17
See application file for complete search history.

D371,607 S * 7/1996 Taylor D24/211
D374,084 S * 9/1996 Chen D24/211
5,577,996 A * 11/1996 Gardner et al. 601/120
D376,853 S * 12/1996 Hsia D24/214
5,597,159 A 1/1997 Haygood et al.
D382,644 S * 8/1997 Chi D24/200
5,766,210 A * 6/1998 Komoroczy et al. 601/135
D398,401 S * 9/1998 Antoskow D24/211
D408,544 S * 4/1999 Kalat D24/211
D408,545 S * 4/1999 Taylor D24/214
D415,569 S * 10/1999 Wyrwa et al. D24/211
D428,997 S * 8/2000 Berry et al. D24/214
6,102,876 A * 8/2000 Winger 601/135
D445,905 S * 7/2001 Hey D24/211
D510,440 S * 10/2005 Huang D24/211
D532,908 S * 11/2006 Haddock D24/211
7,169,120 B2 * 1/2007 Murdock et al. 601/129
7,244,200 B2 7/2007 Goldberg
D566,286 S * 4/2008 Audet D24/200
7,422,530 B1 9/2008 Olaveson
D586,470 S * 2/2009 Warder D24/211
D623,310 S * 9/2010 Cheng D24/211
D643,933 S * 8/2011 Watabe D24/214
8,092,408 B2 1/2012 Sloan
8,157,709 B2 4/2012 Wilkinson et al.
D662,601 S * 6/2012 Matsushita D24/215

(56) **References Cited**

U.S. PATENT DOCUMENTS

693,064 A * 2/1902 Proben 601/129
1,206,463 A * 11/1916 Parkinson 601/131
1,748,762 A * 2/1930 Gilbert 601/129
1,908,051 A * 5/1933 Reichl 601/119
1,915,190 A * 6/1933 Koment 601/107
D127,824 S * 6/1941 Garas D24/211
D182,123 S * 2/1958 Kalski D24/211
4,036,219 A * 7/1977 Simjian 601/36
4,126,128 A * 11/1978 Takahashi 601/19
D274,555 S * 7/1984 Shiu D24/211
4,492,223 A * 1/1985 Burke 601/154
D279,126 S * 6/1985 Kaeser D24/211
D280,449 S * 9/1985 Colognori D28/91.2
4,550,718 A * 11/1985 Kaeser 601/129
D349,576 S * 8/1994 Heiligenstein et al. D24/211
D349,771 S * 8/1994 Heiligenstein et al. D24/211
D357,984 S 5/1995 Heck

(Continued)

Primary Examiner — Sandra Snapp

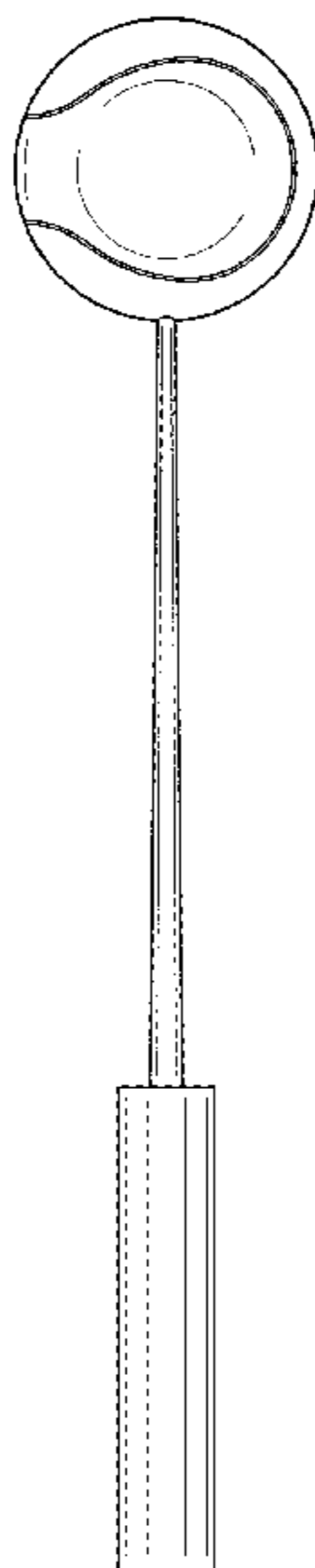
(57) **CLAIM**

The ornamental design for a sports themed massage aid, as shown and described.

DESCRIPTION

FIG. 1 is a front view of a sports themed massage aid showing my new design, a back view being a mirror image thereof; FIG. 2 is a left side view of the sports themed massage aid; FIG. 3 is a right side view of the sports themed massage aid; FIG. 4 is a top view of the sports themed massage aid; and, FIG. 5 is a bottom view of the sports themed massage aid.

1 Claim, 3 Drawing Sheets



(56)

References Cited

U.S. PATENT DOCUMENTS

D666,304 S *	8/2012	Matsushita	D24/215	D712,030 S *	8/2014	Tai	D24/141
D669,590 S *	10/2012	Matsushita	D24/211	2006/0016034 A1	1/2006	Hillenbrand		
D669,998 S *	10/2012	Matsushita	D24/215	2006/0276732 A1*	12/2006	Chen	601/113
D712,029 S *	8/2014	Tai	D24/141	2008/0154161 A1	6/2008	Abbott		
					2008/0200852 A1*	8/2008	Sloan	601/129
					2009/0156971 A1*	6/2009	Takashima	601/134
					2012/0310125 A1*	12/2012	Hall et al.	601/120

* cited by examiner

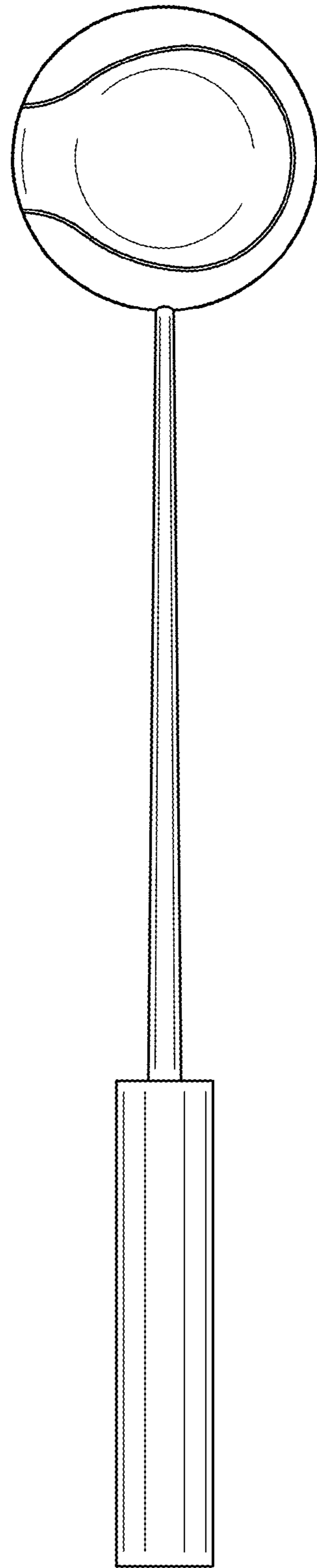


FIG. 1

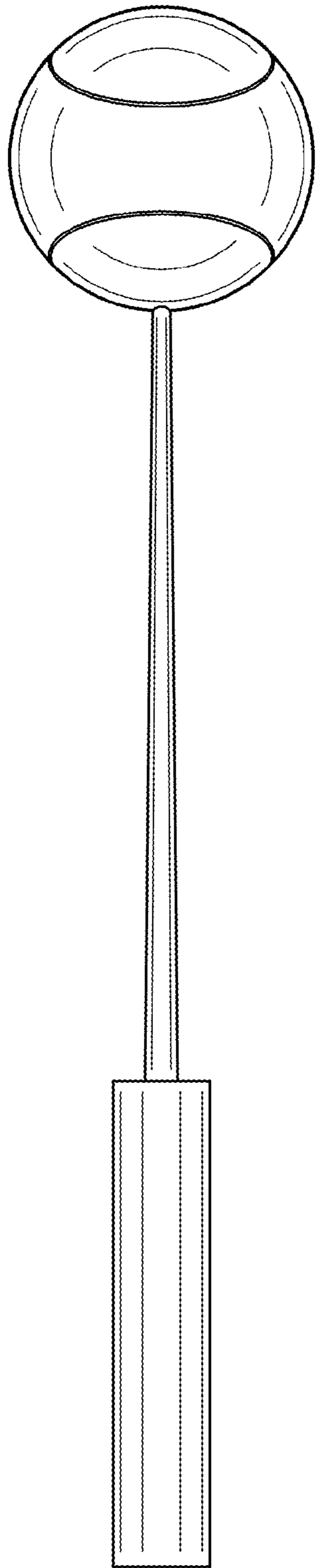


FIG. 2

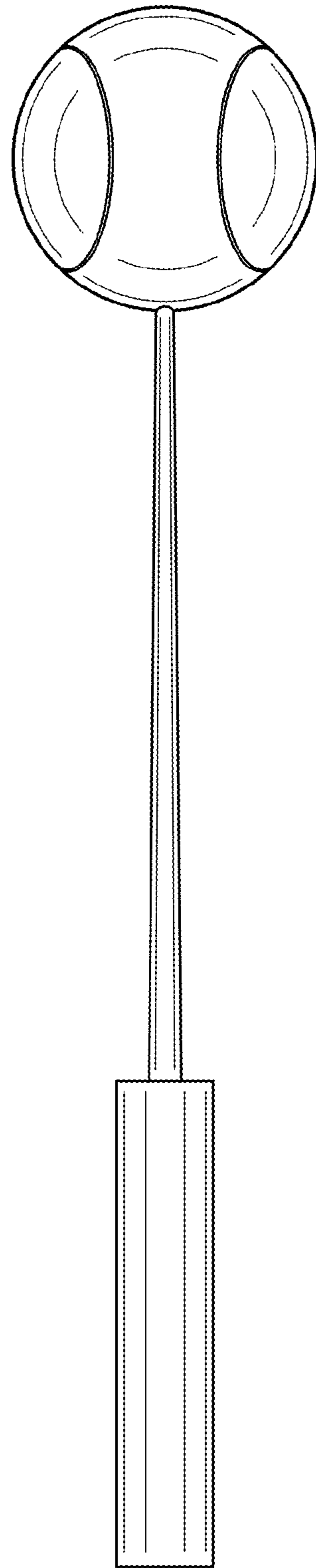


FIG. 3

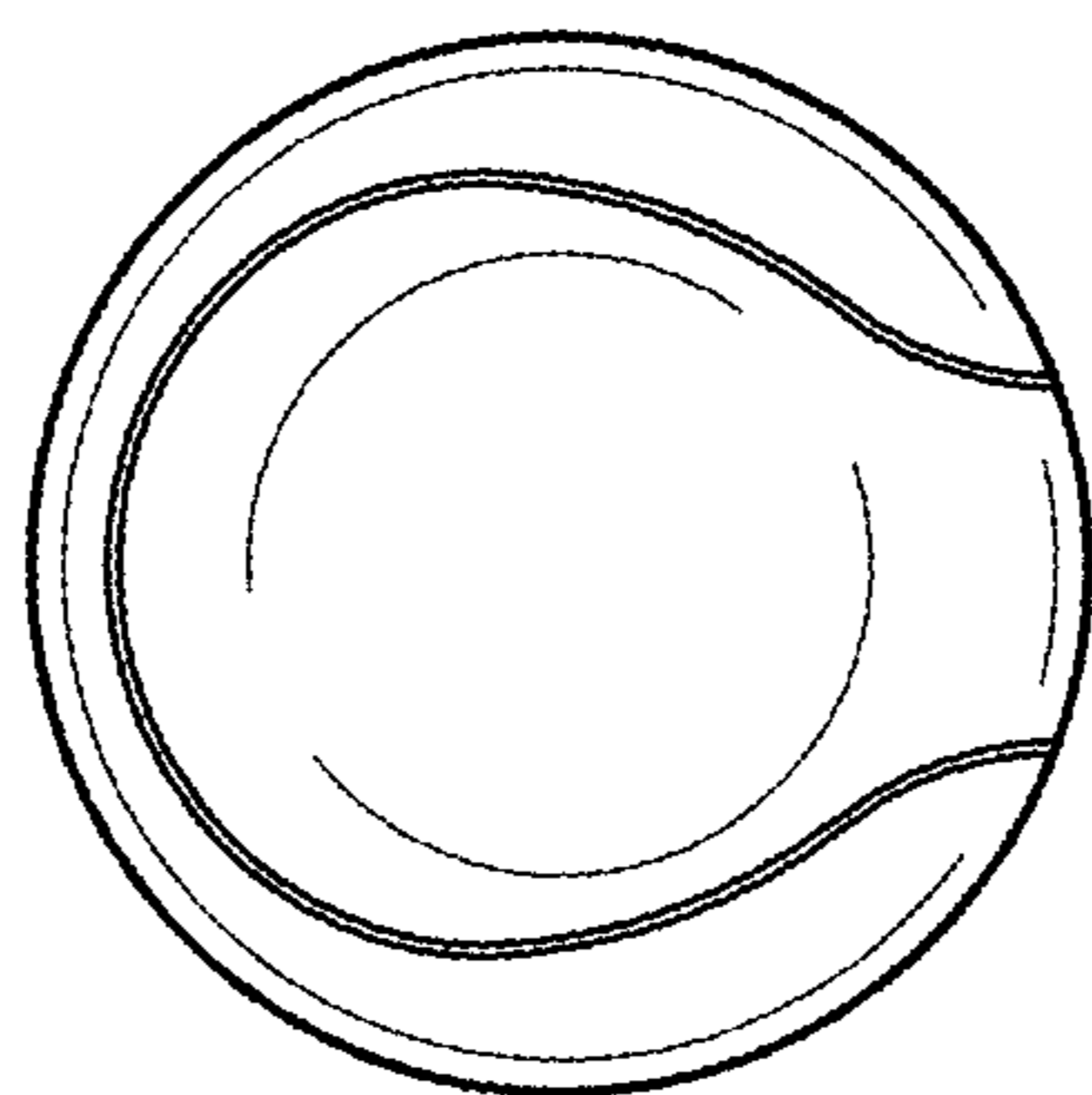


FIG. 4

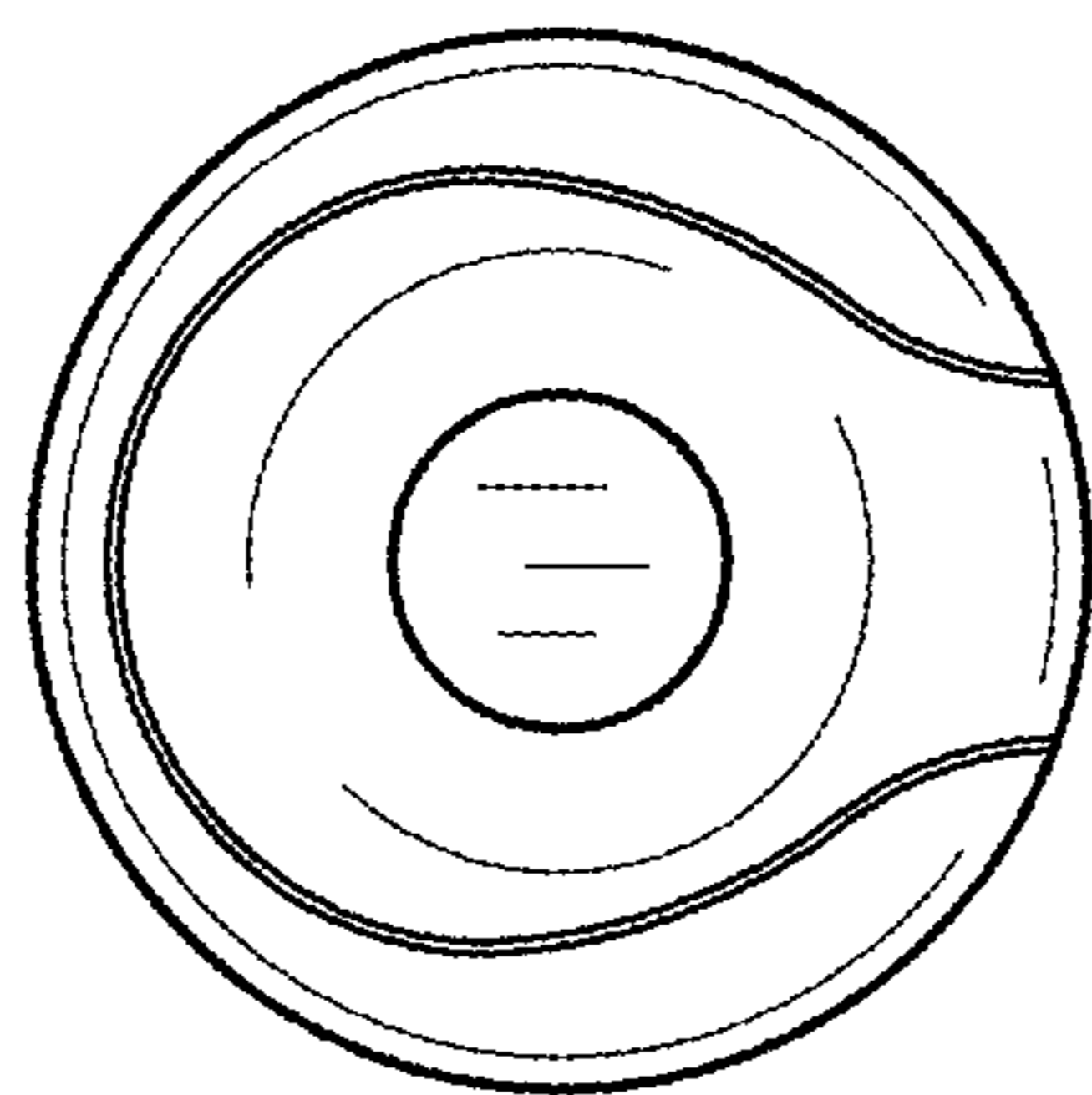


FIG. 5