

US00D727517S

(12) **United States Design Patent**
Moorehead

(10) **Patent No.:** **US D727,517 S**
(45) **Date of Patent:** **** Apr. 21, 2015**

- (54) **SPORTS THEMED MASSAGE AID**
- (71) Applicant: **Kenneth Moorehead**, Vallejo, CA (US)
- (72) Inventor: **Kenneth Moorehead**, Vallejo, CA (US)
- (**) Term: **14 Years**
- (21) Appl. No.: **29/504,101**
- (22) Filed: **Oct. 2, 2014**
- (51) **LOC (10) Cl.** **28-03**
- (52) **U.S. Cl.**
USPC **D24/211**
- (58) **Field of Classification Search**
USPC D24/200, 211, 212, 213, 214, 215;
601/112, 113, 118, 120, 123, 125, 128,
601/129, 131, 134, 135, DIG. 14, DIG. 15,
601/DIG. 17
See application file for complete search history.

(56) **References Cited**

U.S. PATENT DOCUMENTS

693,064	A *	2/1902	Proben	601/129
1,206,463	A *	11/1916	Parkinson	601/131
1,748,762	A *	2/1930	Gilbert	601/129
1,908,051	A *	5/1933	Reichl	601/119
1,915,190	A *	6/1933	Koment	601/107
D127,824	S *	6/1941	Garas	D24/211
D182,123	S *	2/1958	Kalski	D24/211
4,036,219	A *	7/1977	Simjian	601/36
4,126,128	A *	11/1978	Takahashi	601/19
D274,555	S *	7/1984	Shiu	D24/211
4,492,223	A *	1/1985	Burke	601/154
D279,126	S *	6/1985	Kaesar	D24/211
D280,449	S *	9/1985	Colognori	D28/91.2
4,550,718	A *	11/1985	Kaesar	601/129
D349,576	S *	8/1994	Heiligenstein et al.	D24/211
D349,771	S *	8/1994	Heiligenstein et al.	D24/211
D357,984	S	5/1995	Heck	

D371,607	S *	7/1996	Taylor	D24/211
D374,084	S *	9/1996	Chen	D24/211
5,577,996	A *	11/1996	Gardner et al.	601/120
D376,853	S *	12/1996	Hsia	D24/214
5,597,159	A	1/1997	Haygood et al.	
D382,644	S *	8/1997	Chi	D24/200
5,766,210	A *	6/1998	Komoroczy et al.	601/135
D398,401	S *	9/1998	Antoskow	D24/211
D408,544	S *	4/1999	Kalat	D24/211
D408,545	S *	4/1999	Taylor	D24/214
D415,569	S *	10/1999	Wyrwa et al.	D24/211
D428,997	S *	8/2000	Berry et al.	D24/214
6,102,876	A *	8/2000	Winger	601/135
D445,905	S *	7/2001	Hey	D24/211
D510,440	S *	10/2005	Huang	D24/211
D532,908	S *	11/2006	Haddock	D24/211
7,169,120	B2 *	1/2007	Murdock et al.	601/129
7,244,200	B2	7/2007	Goldberg	
D566,286	S *	4/2008	Audet	D24/200
7,422,530	B1	9/2008	Olaveson	
D586,470	S *	2/2009	Warder	D24/211
D623,310	S *	9/2010	Cheng	D24/211
D643,933	S *	8/2011	Watabe	D24/214
8,092,408	B2	1/2012	Sloan	
8,157,709	B2	4/2012	Wilkinson et al.	
D662,601	S *	6/2012	Matsushita	D24/215

(Continued)

Primary Examiner — Sandra Snapp

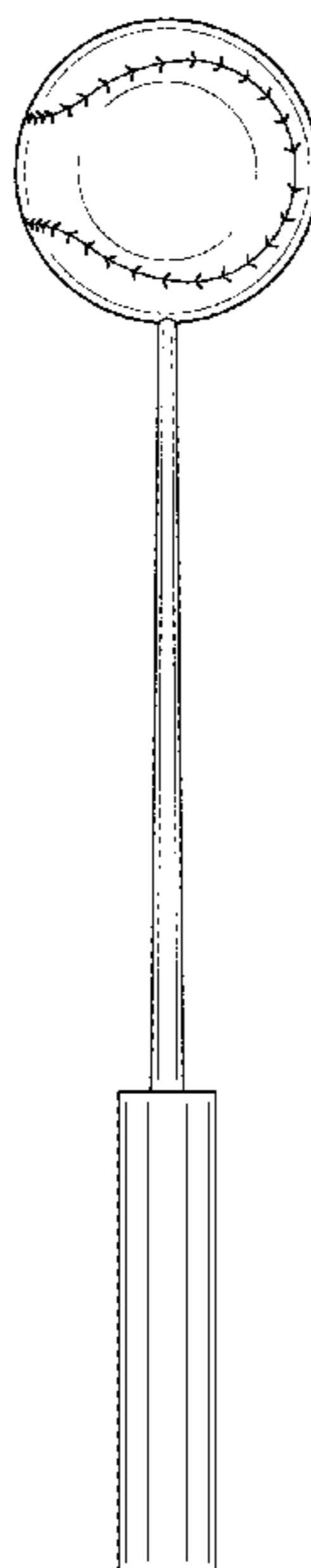
(57) **CLAIM**

The ornamental design for a sports themed massage aid, as shown and described.

DESCRIPTION

FIG. 1 is a front view of a sports themed massage aid showing my new design, a rear view being a mirror image thereof; FIG. 2 is a left side view of the sports themed massage aid; FIG. 3 is a right side view of the sports themed massage aid; FIG. 4 is a top view of the sports themed massage aid; and, FIG. 5 is a bottom view of the sports themed massage aid.

1 Claim, 3 Drawing Sheets



(56)

References Cited

U.S. PATENT DOCUMENTS

D666,304 S * 8/2012 Matsushita D24/215
D669,590 S * 10/2012 Matsushita D24/211
D669,998 S * 10/2012 Matsushita D24/215
D712,029 S * 8/2014 Tai D24/141

D712,030 S * 8/2014 Tai D24/141
2006/0016034 A1 1/2006 Hillenbrand
2006/0276732 A1* 12/2006 Chen 601/113
2008/0154161 A1 6/2008 Abbott
2008/0200852 A1* 8/2008 Sloan 601/129
2009/0156971 A1* 6/2009 Takashima 601/134
2012/0310125 A1* 12/2012 Hall et al. 601/120

* cited by examiner

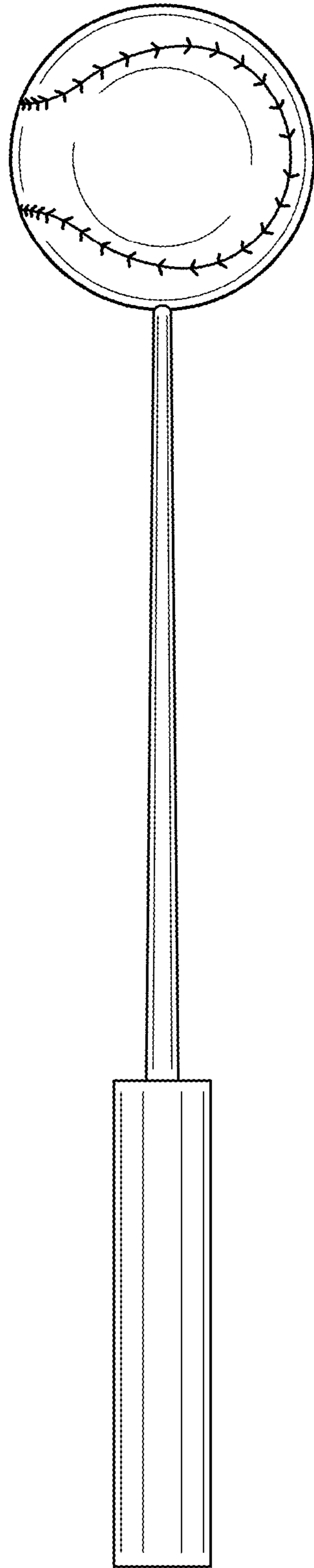


FIG. 1

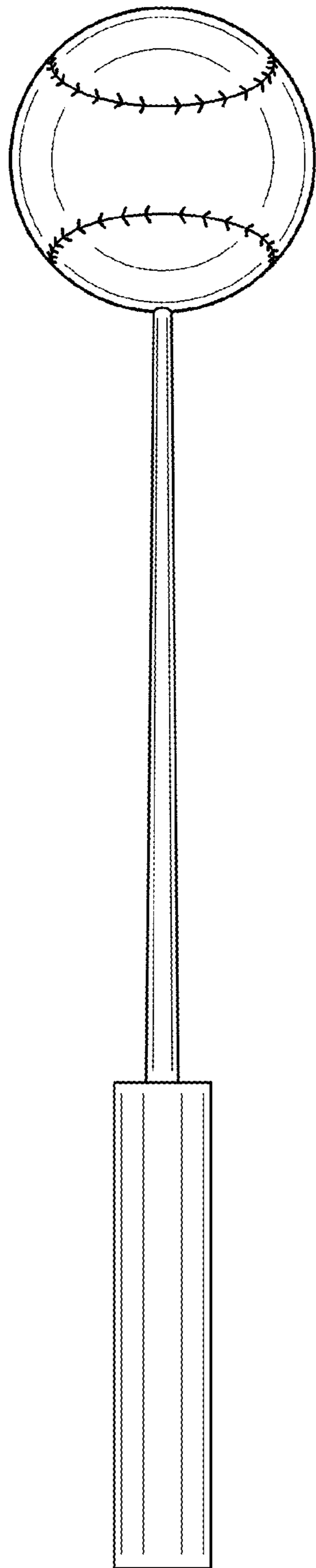


FIG. 2

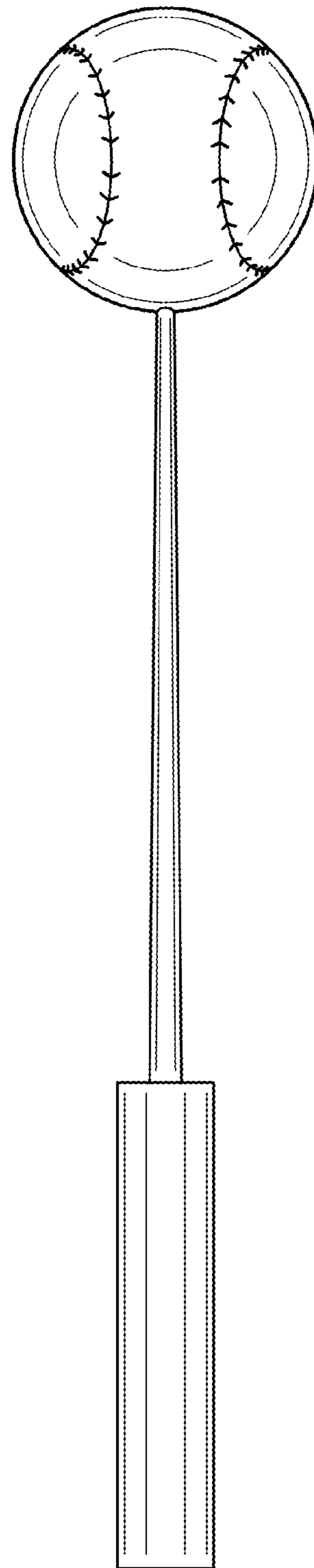


FIG. 3

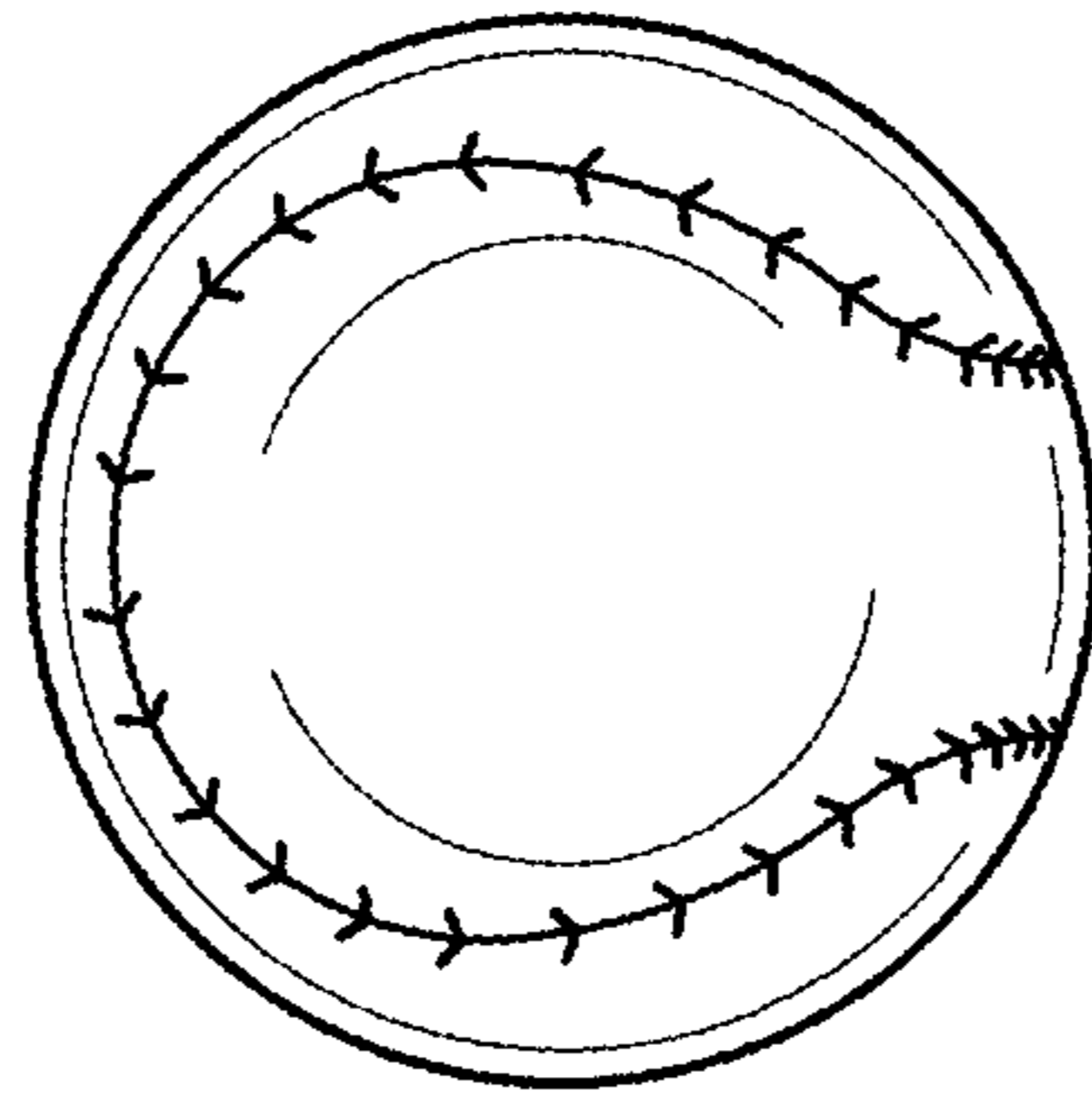


FIG. 4

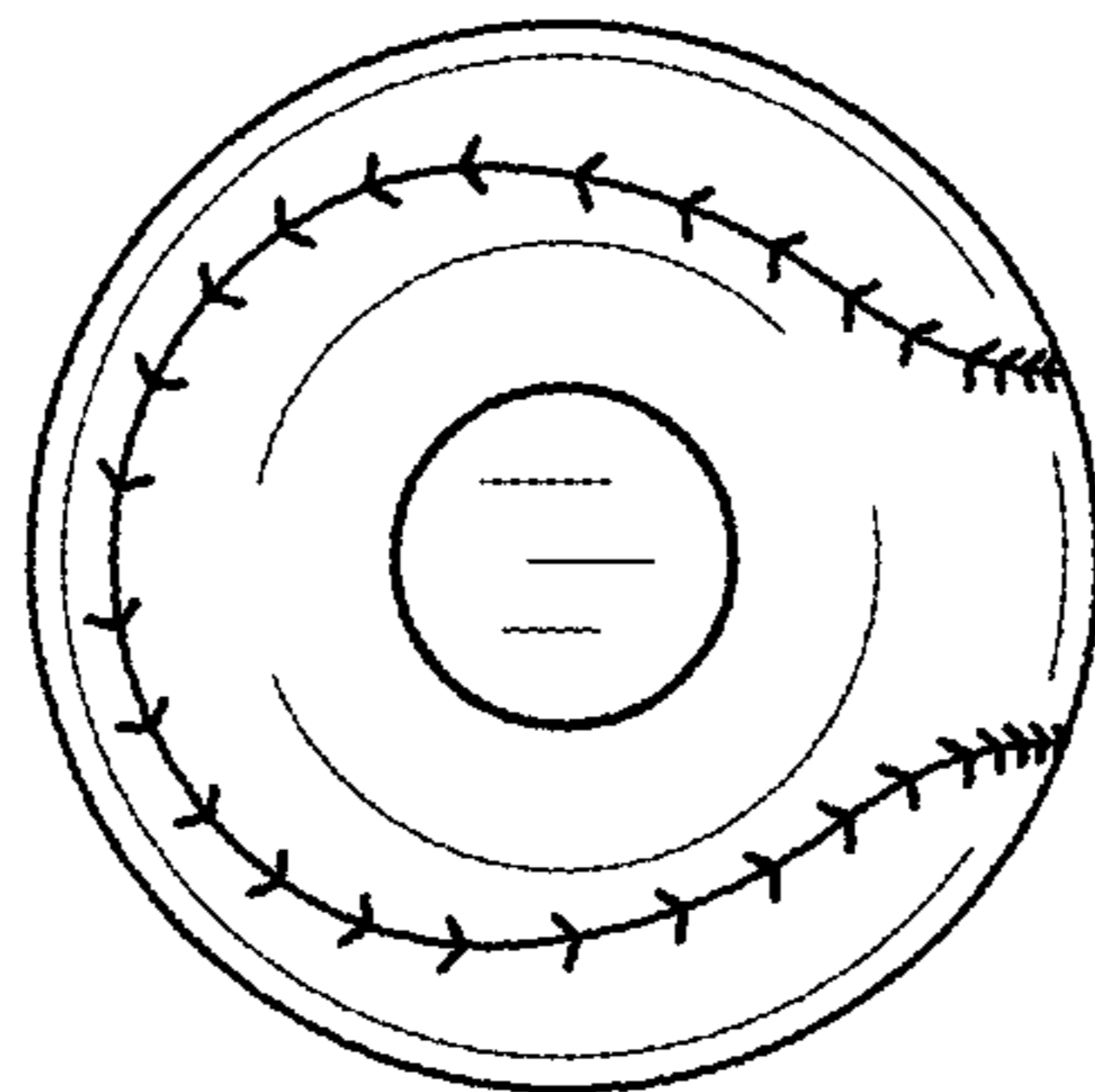


FIG. 5