

US00D727516S

(12) **United States Design Patent**
Le et al.

(10) **Patent No.:** **US D727,516 S**
(45) **Date of Patent:** **** Apr. 21, 2015**

- (54) **FOOT SPA**
- (71) Applicants: **Kevin Le**, Richland Hills, TX (US);
Thanh Le, Grand Prairie, TX (US)
- (72) Inventors: **Kevin Le**, Richland Hills, TX (US);
Thanh Le, Grand Prairie, TX (US)
- (73) Assignee: **LURACO Technologies, Inc.**,
Arlington, TX (US)
- (**) Term: **14 Years**
- (21) Appl. No.: **29/456,650**
- (22) Filed: **May 31, 2013**
- (51) **LOC (10) Cl.** **23-02**
- (52) **U.S. Cl.**
USPC **D24/204**
- (58) **Field of Classification Search**
USPC D24/200–205, 212, 213; D28/56, 61;
D6/336, 495; 601/6, 15, 64, 157–158,
601/30–32; 4/622, 574.1
See application file for complete search history.

D616,561 S *	5/2010	Ton	D24/204
D618,815 S *	6/2010	Dang	D24/204
D622,858 S *	8/2010	Jan	D24/204
D640,387 S *	6/2011	Tran	D24/204
D641,485 S *	7/2011	Mai	D24/204
D664,664 S *	7/2012	Mai	D24/204
D685,103 S *	6/2013	Ton	D24/204

* cited by examiner

Primary Examiner — David Muller

(74) *Attorney, Agent, or Firm* — Hoang Steve Ngo

(57) **CLAIM**

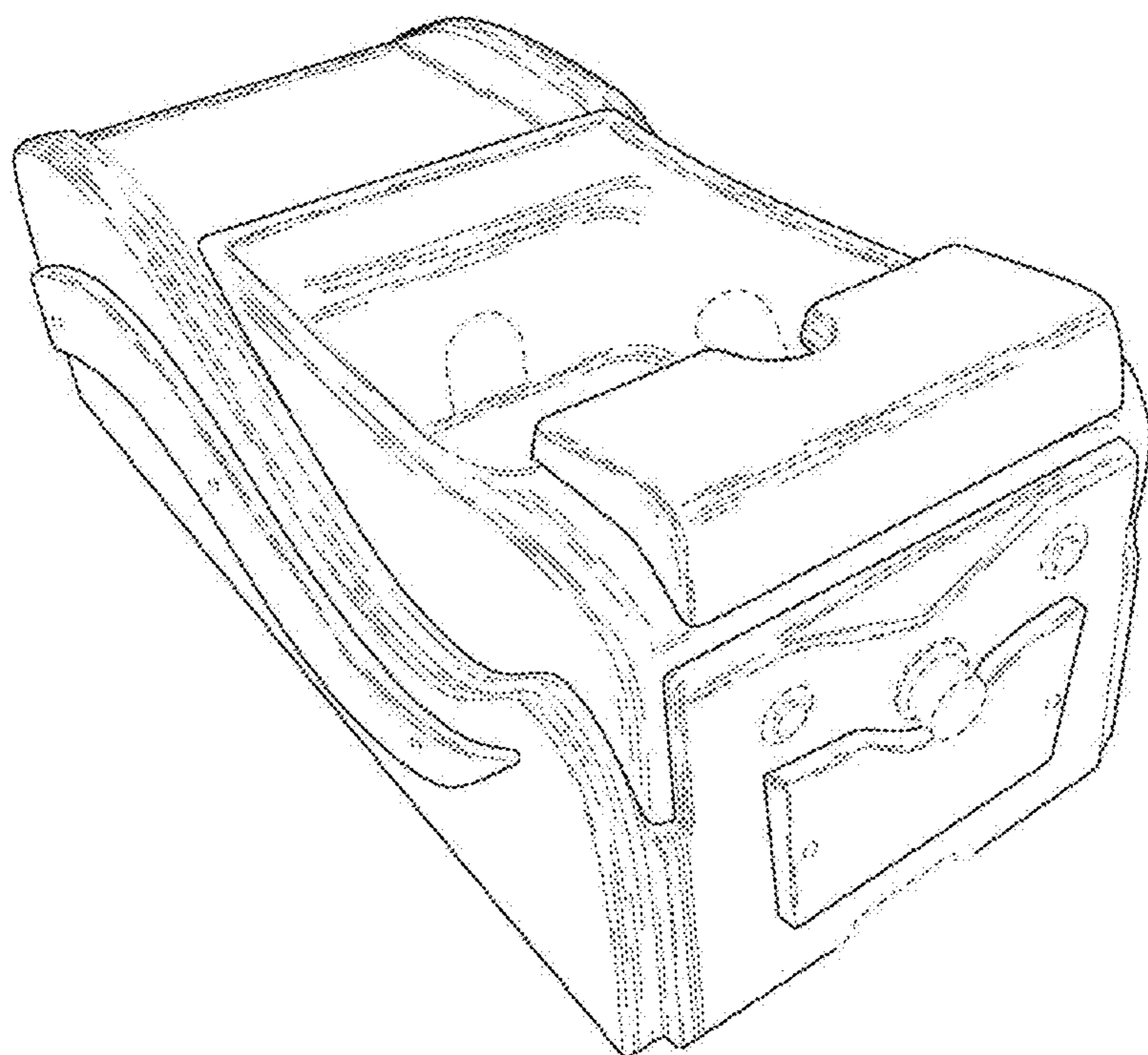
The ornamental design for a foot spa, as shown and described.

DESCRIPTION

FIG. 1 is a perspective, front view of a foot spa showing my new design;
 FIG. 2 is a perspective, rear view thereof;
 FIG. 3 is a perspective, right side view thereof;
 FIG. 4 is a perspective, left side view thereof;
 FIG. 5 is a perspective, rear and right side view thereof;
 FIG. 6 is a perspective, rear and left side view thereof;
 FIG. 7 is a top view thereof;
 FIG. 8 is a front view thereof;
 FIG. 9 is a rear view thereof.
 FIG. 10 is a right side view thereof; and,
 FIG. 11 is a left side view thereof.
 The broken lines shown in the drawing views are included for illustrative purposes only, and form no part of the claimed design.

1 Claim, 8 Drawing Sheets

- (56) **References Cited**
U.S. PATENT DOCUMENTS
- | | | | | |
|--------------|--------|------------|-------|---------|
| D569,986 S * | 5/2008 | Ton | | D24/204 |
| D571,961 S * | 6/2008 | Nguyen | | D28/56 |
| D588,707 S * | 3/2009 | Mai et al. | | D24/213 |
| D592,312 S * | 5/2009 | Cheng | | D24/204 |
| D612,509 S * | 3/2010 | Tran | | D24/204 |
| D616,560 S * | 5/2010 | Cong | | D24/204 |



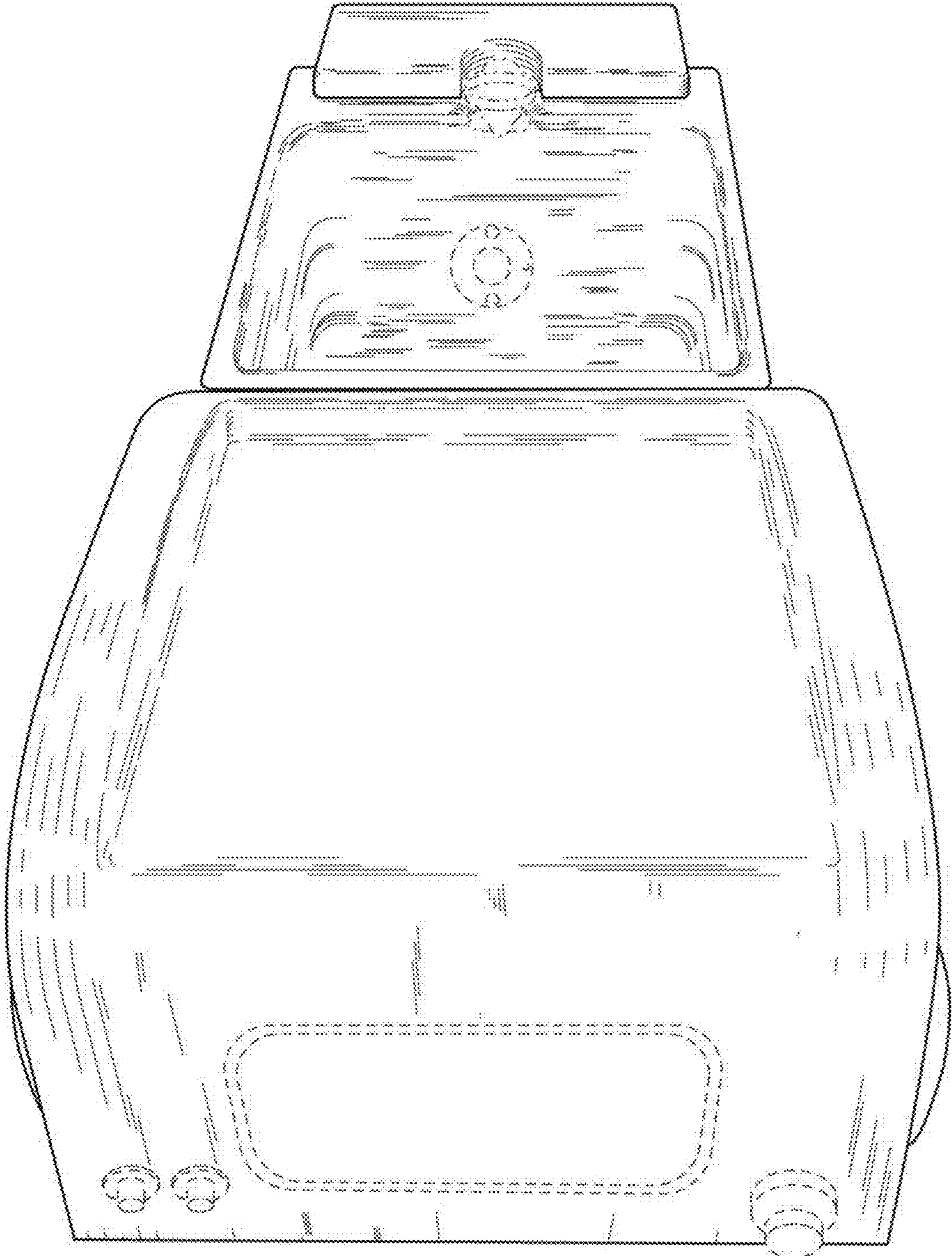


FIG. 1

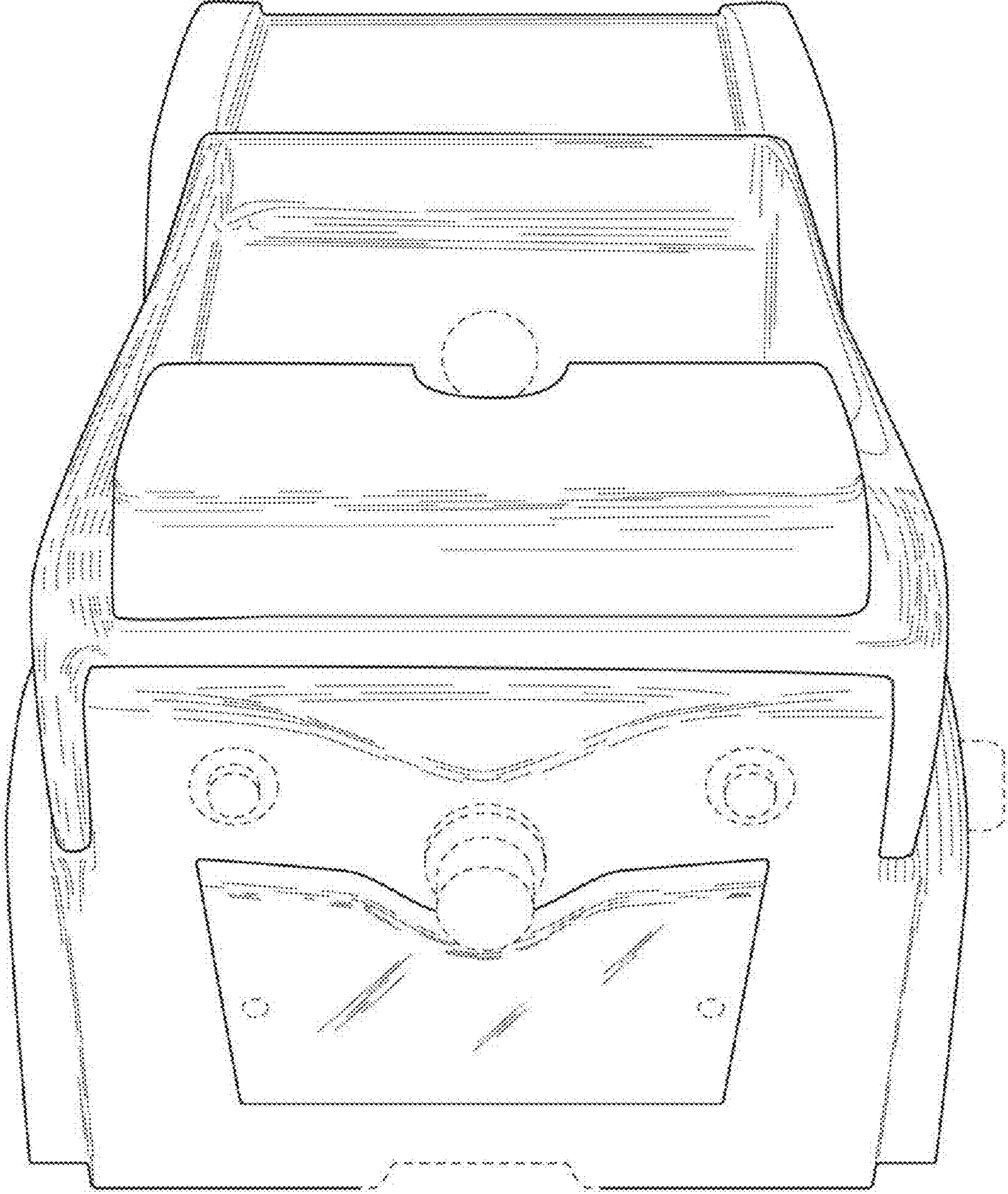


FIG. 2

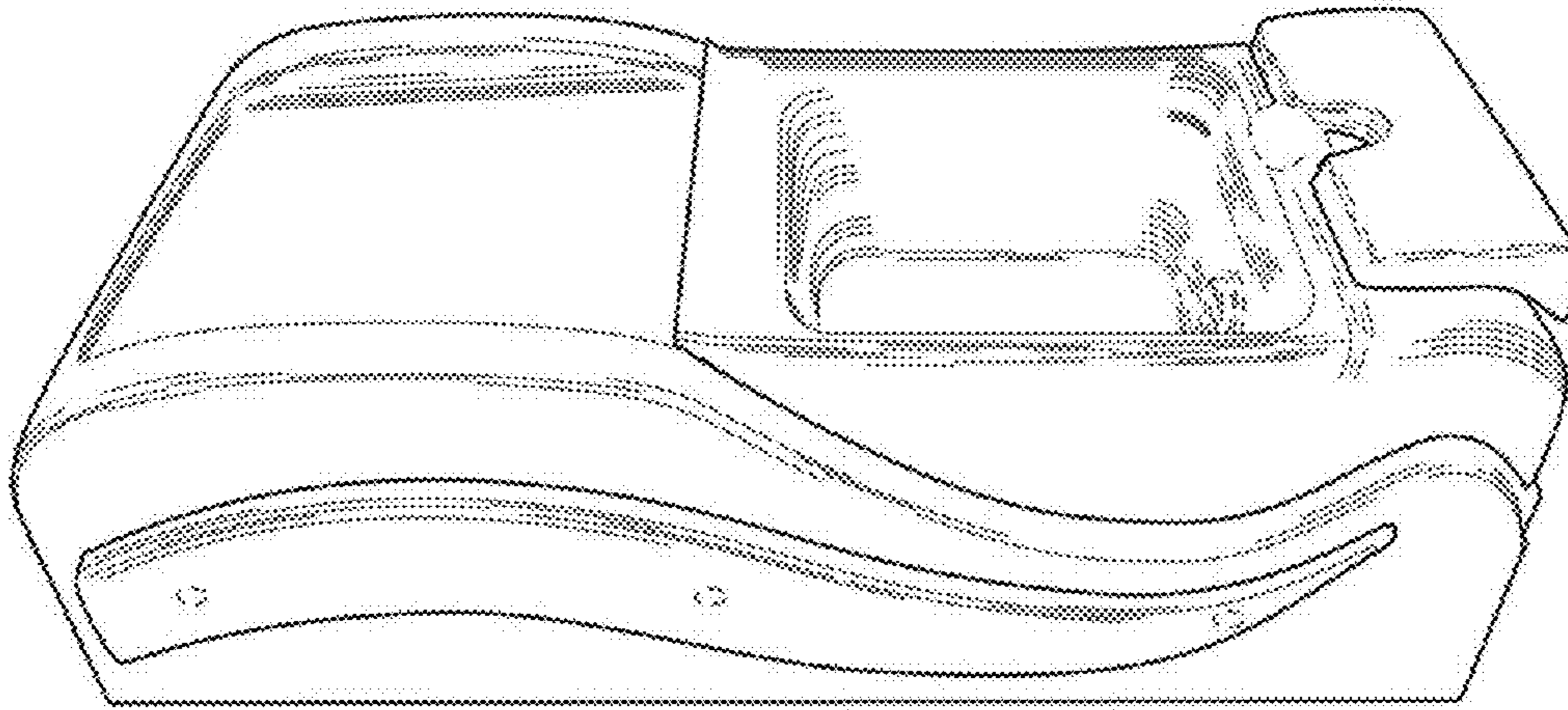


FIG. 3

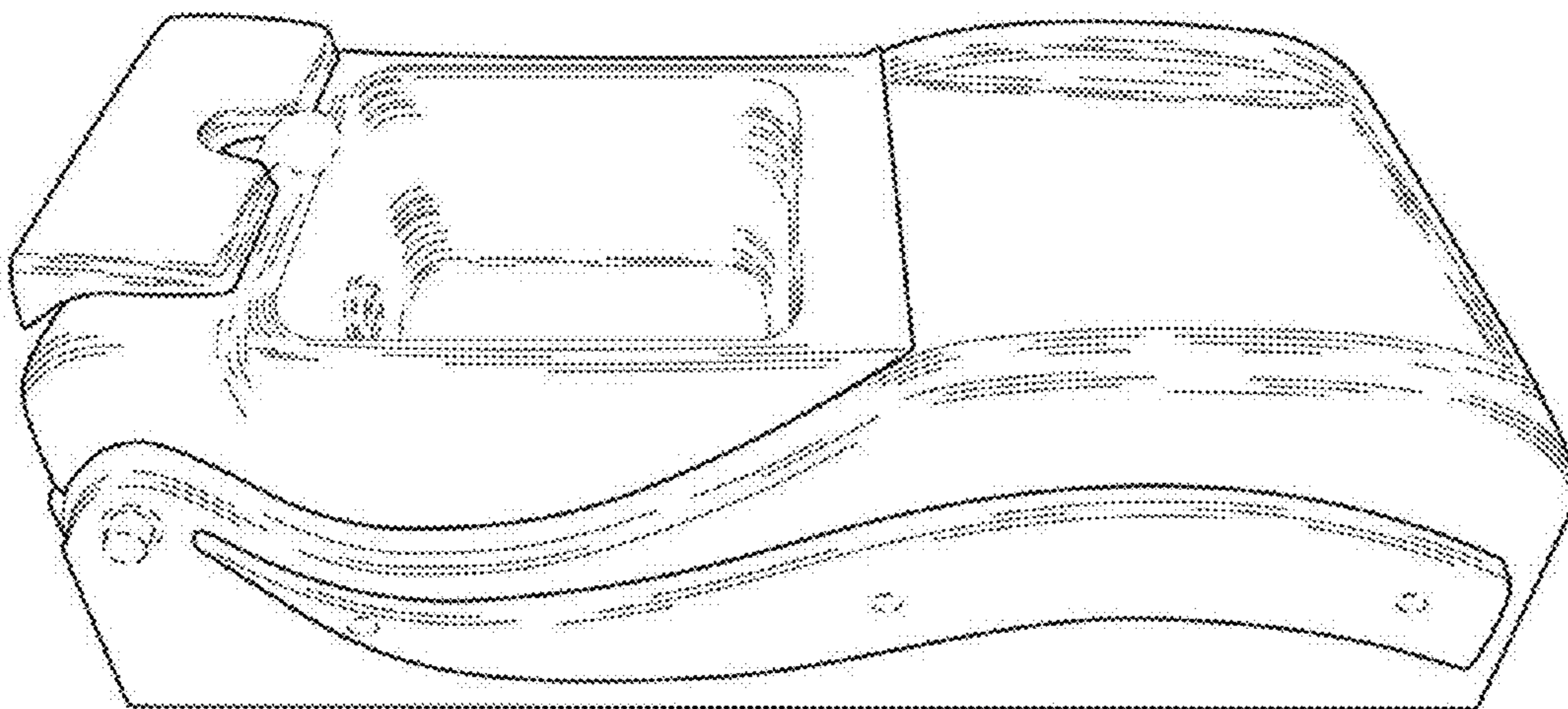


FIG. 4

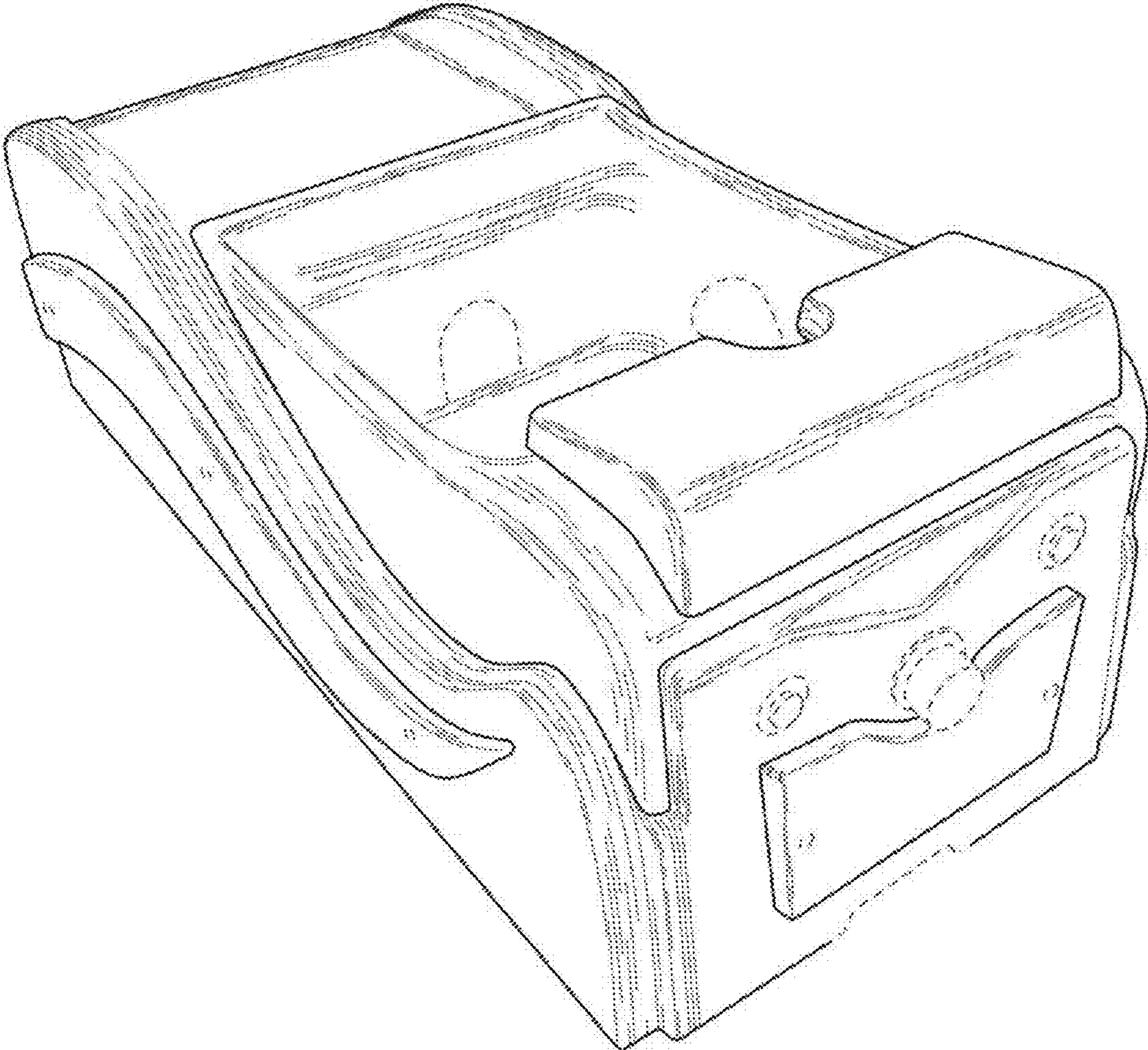


FIG. 5

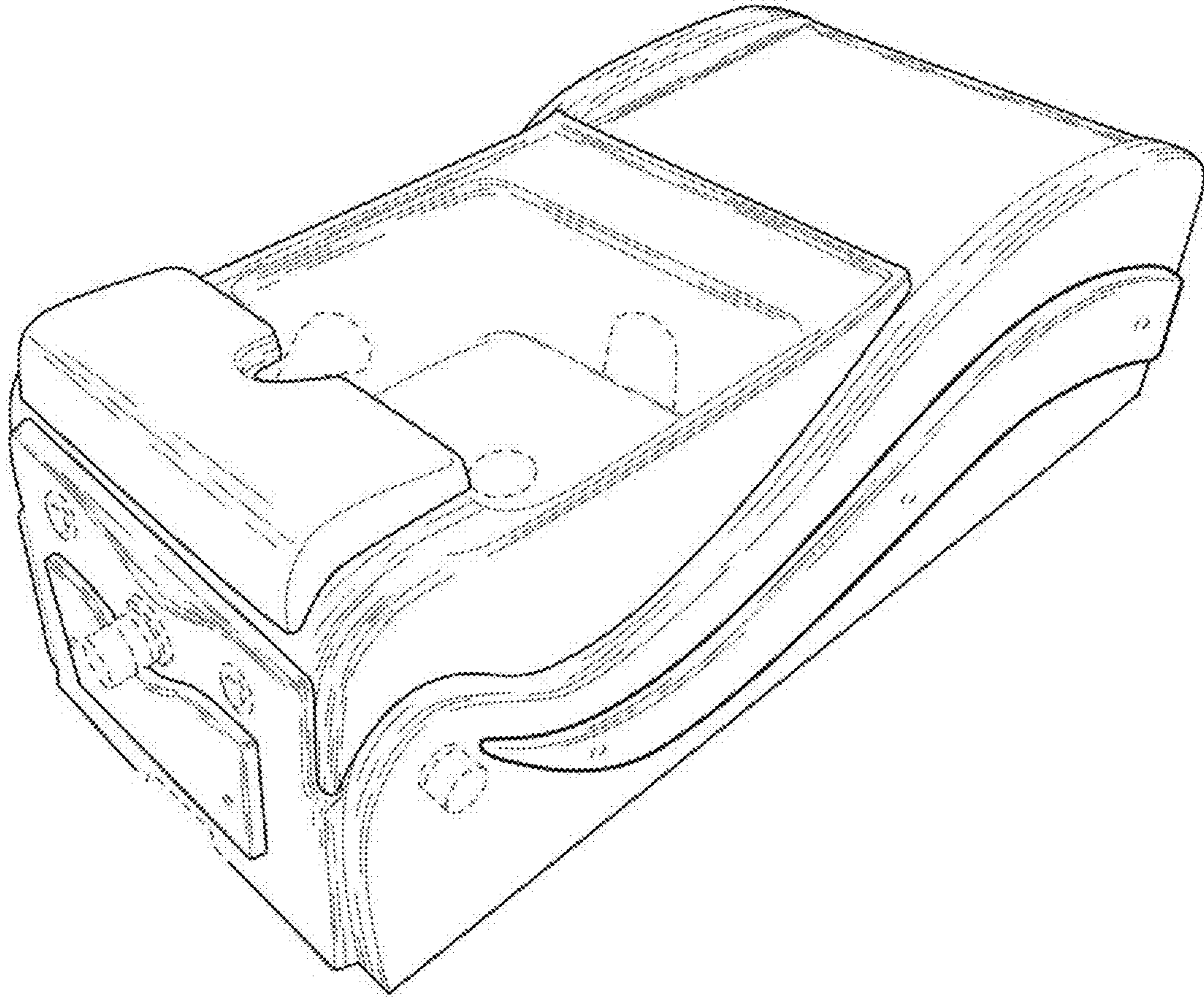


FIG. 6

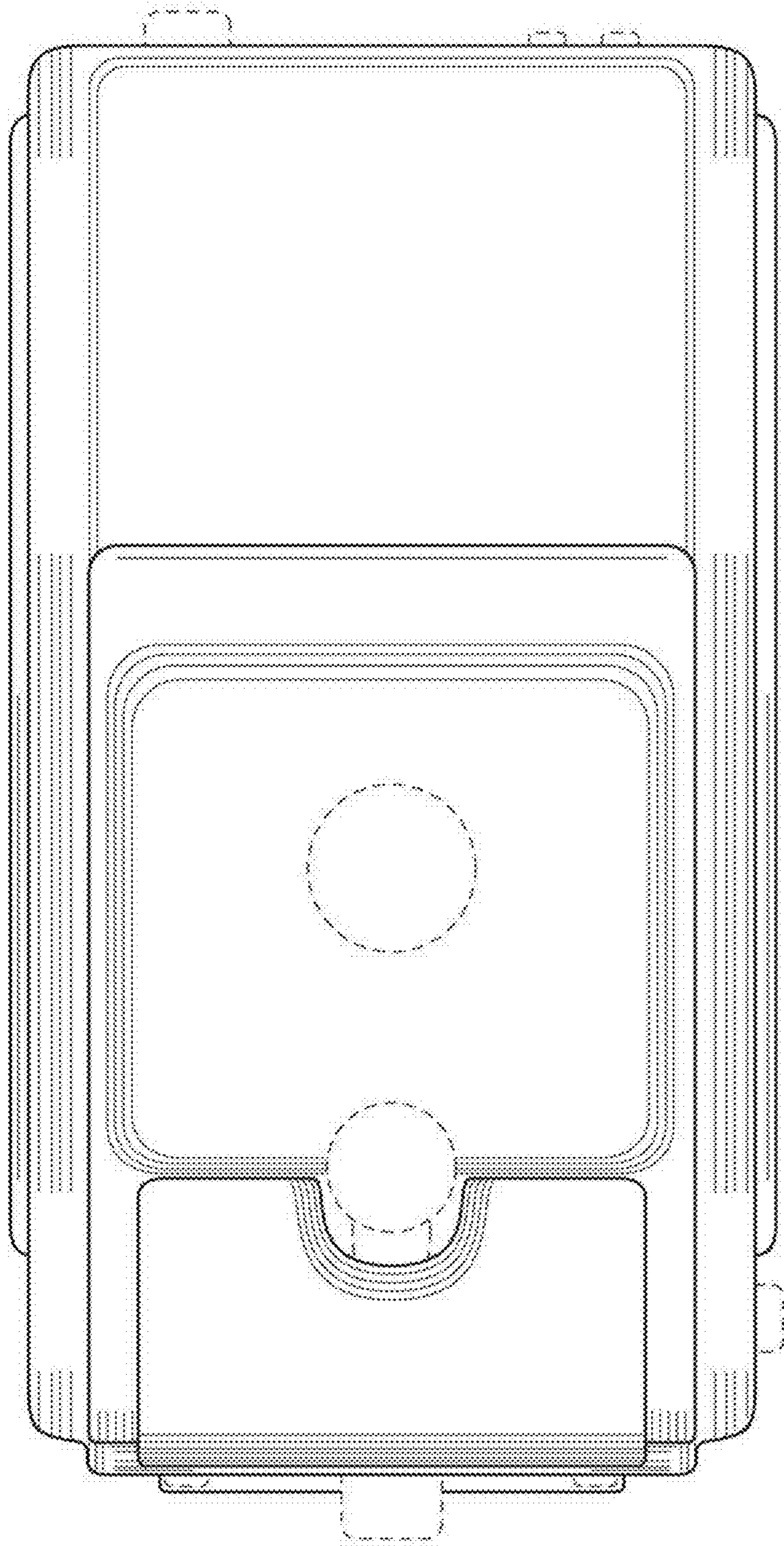


FIG. 7

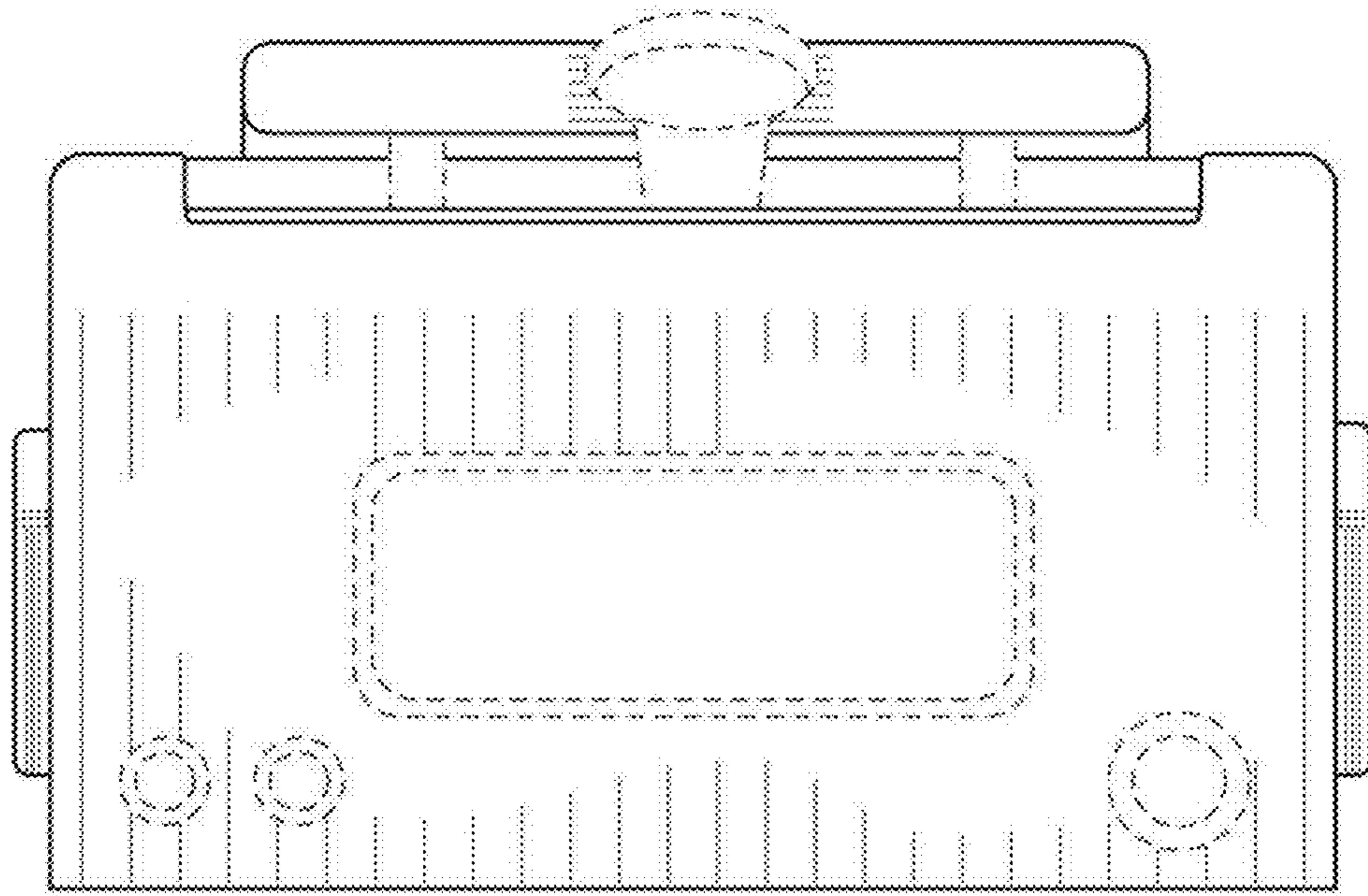


FIG. 8

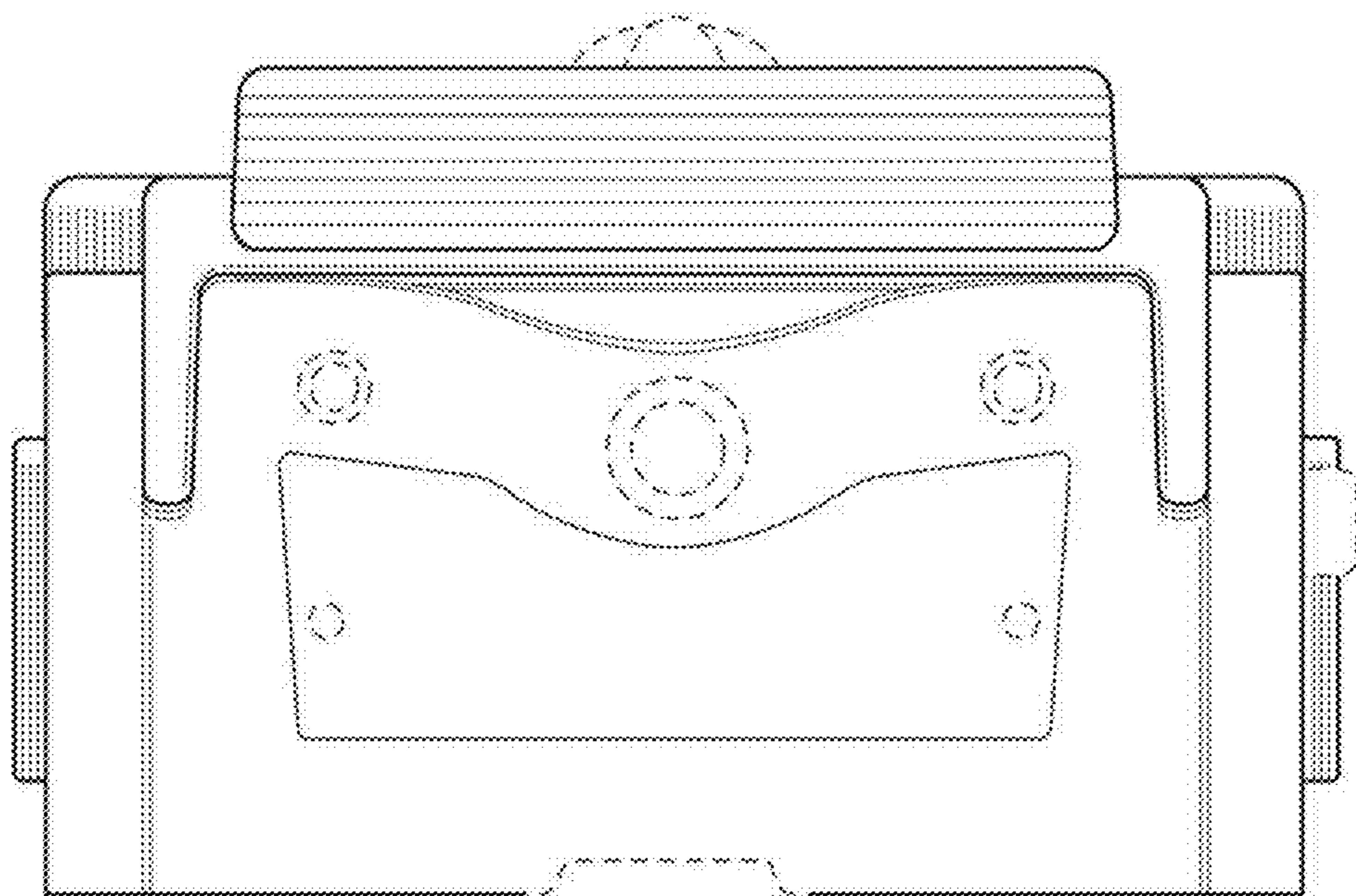


FIG. 9

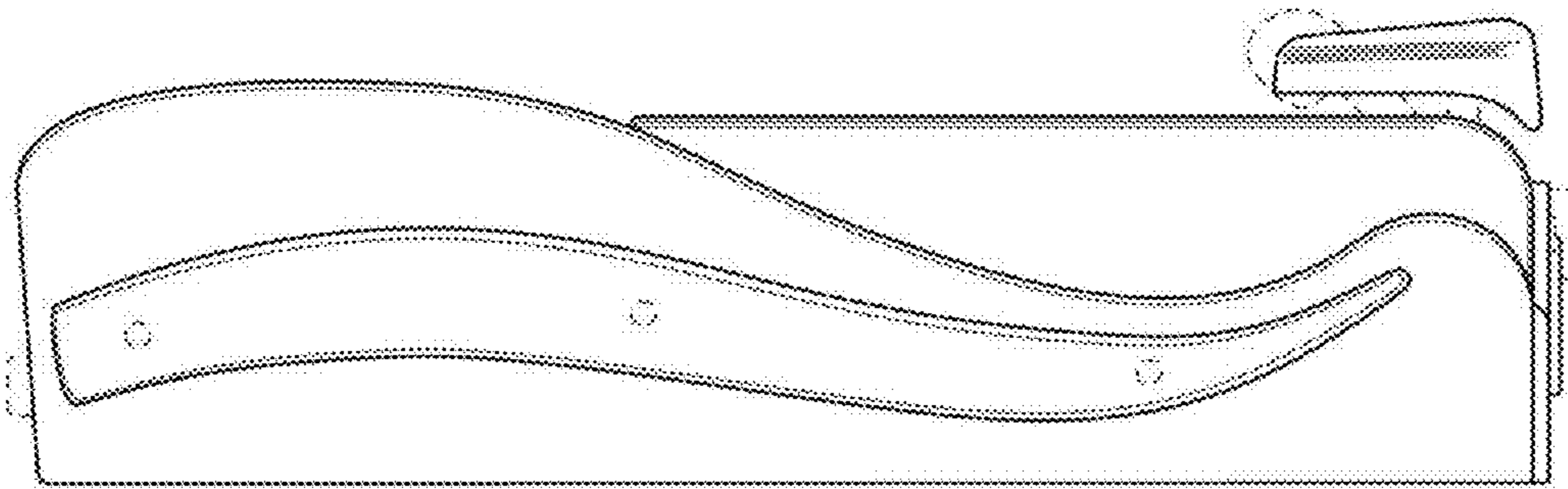


FIG. 10

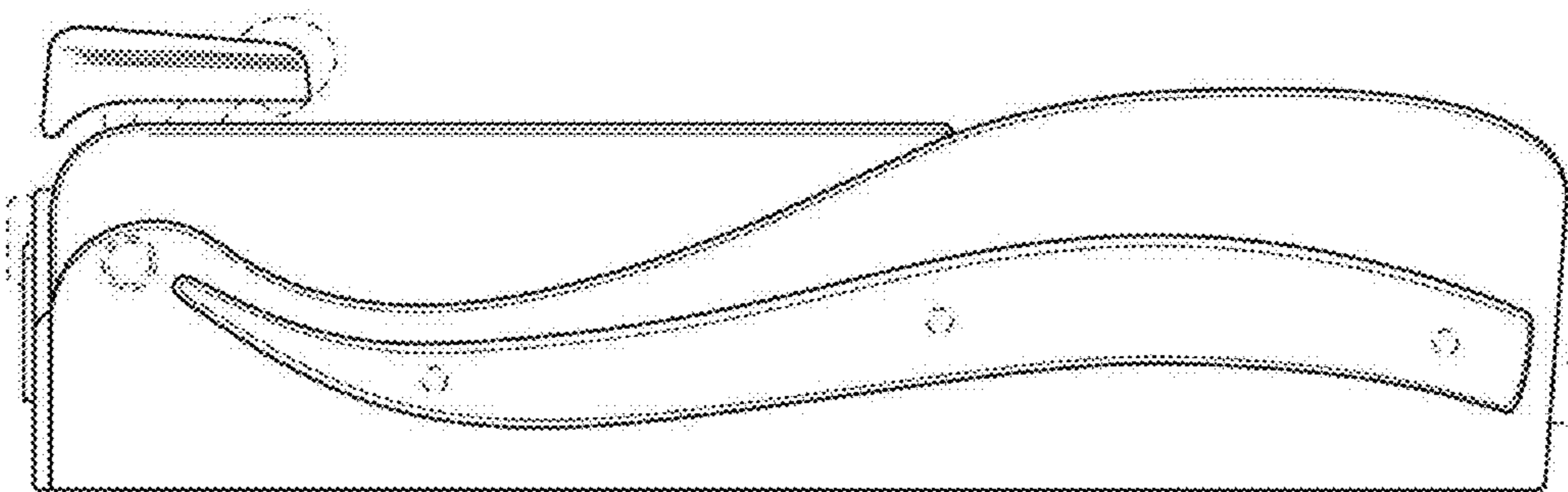


FIG. 11