



US00D727511S

(12) **United States Design Patent**
Dehmke et al.

(10) **Patent No.:** **US D727,511 S**

(45) **Date of Patent:** **** Apr. 21, 2015**

(54) **BREATHING DEVICE**

(71) Applicant: **Dräger Safety AG & Co. KGaA**,
Lubeck (DE)

(72) Inventors: **Mathias Dehmke**, Luebeck (DE); **Mirco
Froesch**, Stockelsdorf (DE); **Horst
Wergen**, Cologne (DE); **Lennart
Wenzel**, Luebeck (DE)

(73) Assignee: **Draeger Safety AG & Co. KGaA**,
Lubeck (DE)

(**) Term: **14 Years**

(21) Appl. No.: **29/460,870**

(22) Filed: **Jul. 16, 2013**

(30) **Foreign Application Priority Data**

Jan. 22, 2013 (EM) 002170167-0001
Jan. 22, 2013 (EM) 002170167-0003
Jan. 22, 2013 (EM) 002170167-0005
Jan. 22, 2013 (EM) 002170167-0009

(51) **LOC (10) Cl.** **24-00**

(52) **U.S. Cl.**
USPC **D24/164**

(58) **Field of Classification Search**
USPC D24/163, 164, 110, 110.5, 110.6, 167,
D24/186, 185, 231, 234, 129, 118; 600/424,
600/426, 407, 484, 534, 390, 533; 606/96,
606/97, 98; 95/96, 121

See application file for complete search history.

(56) **References Cited**

U.S. PATENT DOCUMENTS

D606,655 S * 12/2009 Wilkinson et al. D24/164
D619,700 S * 7/2010 Kenyon et al. D24/110
D666,299 S * 8/2012 Bergman et al. D24/164

* cited by examiner

Primary Examiner — Holly Baynham

Assistant Examiner — Rhea Shields

(74) *Attorney, Agent, or Firm* — Taft Stettinius & Hollister
LLP; Ryan O. White

(57) **CLAIM**

The ornamental design for a breathing device, as shown and
described.

DESCRIPTION

FIG. 1 is a perspective view of the breathing device that
illustrates the novel design;

FIG. 2 is a left view of the breathing device of FIG. 1;

FIG. 3 is a right view of the breathing device of FIG. 1;

FIG. 4 is a front view of the breathing device of FIG. 1;

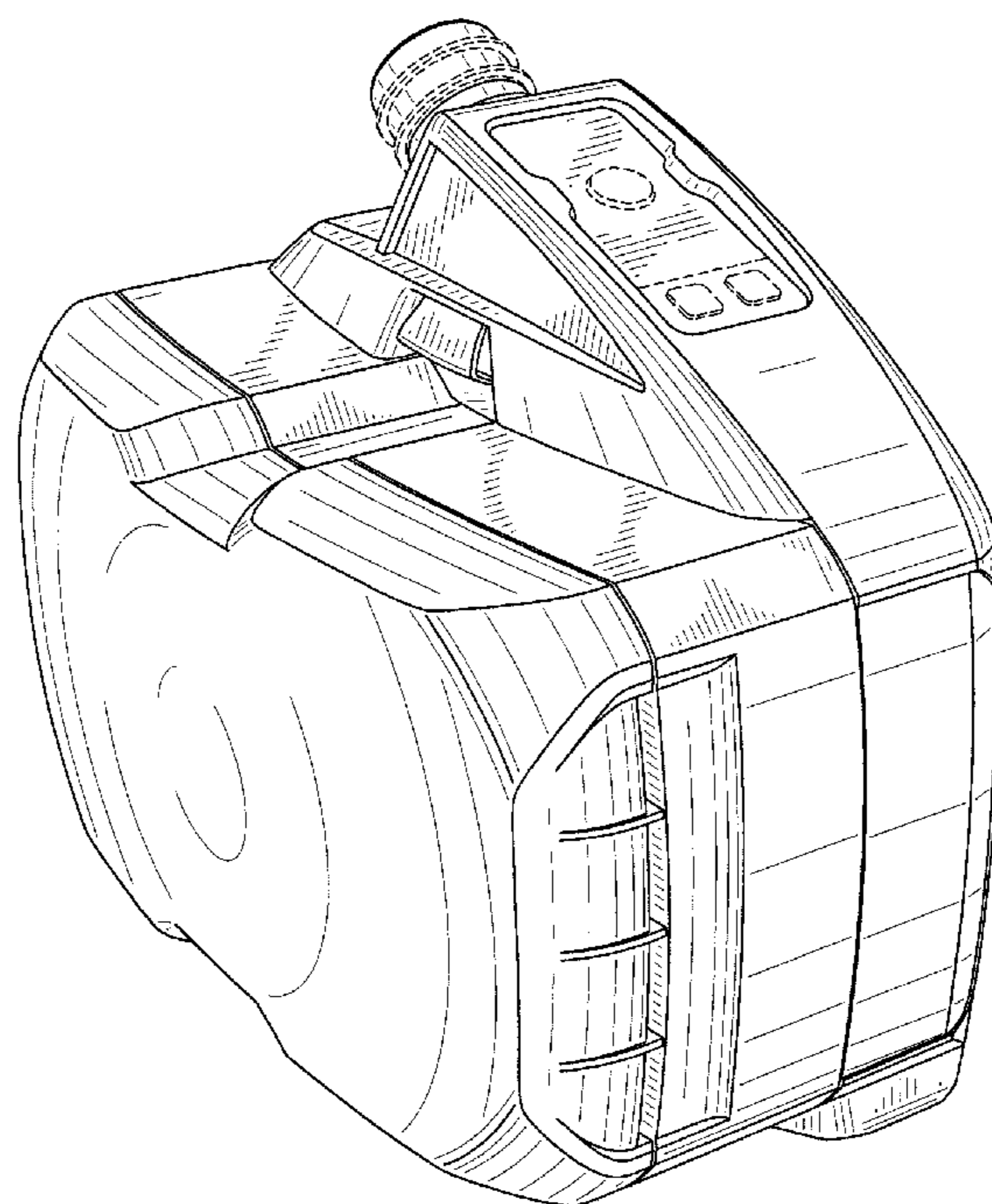
FIG. 5 is a rear view of the breathing device of FIG. 1;

FIG. 6 is a top view of the breathing device of FIG. 1; and,

FIG. 7 is a bottom view of the breathing device of FIG. 1.

The broken lines in FIGS. 1-7 are included for the purpose of
illustrating portions of the breathing device that form no part
of the claimed design.

1 Claim, 7 Drawing Sheets



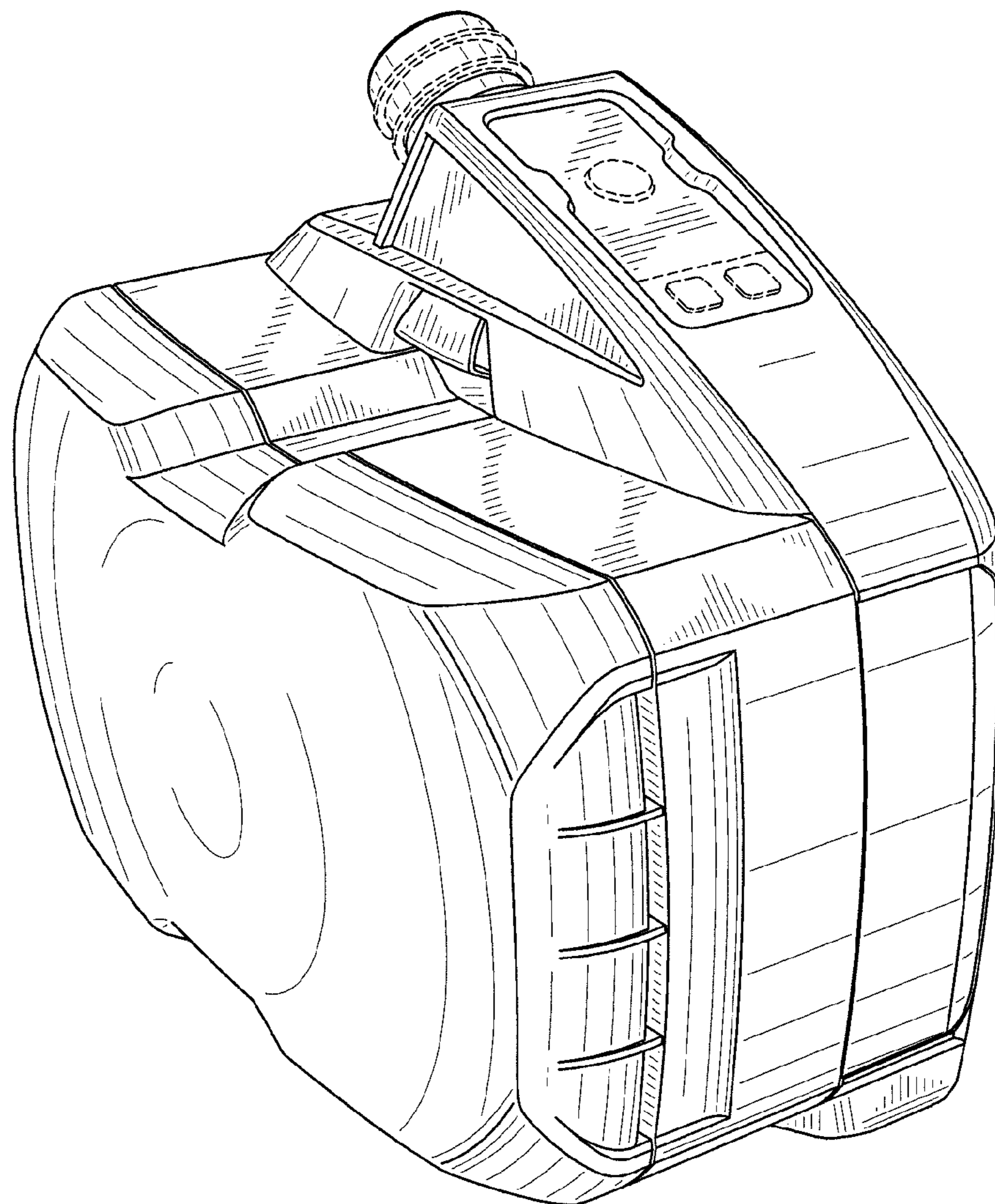


FIG. 1

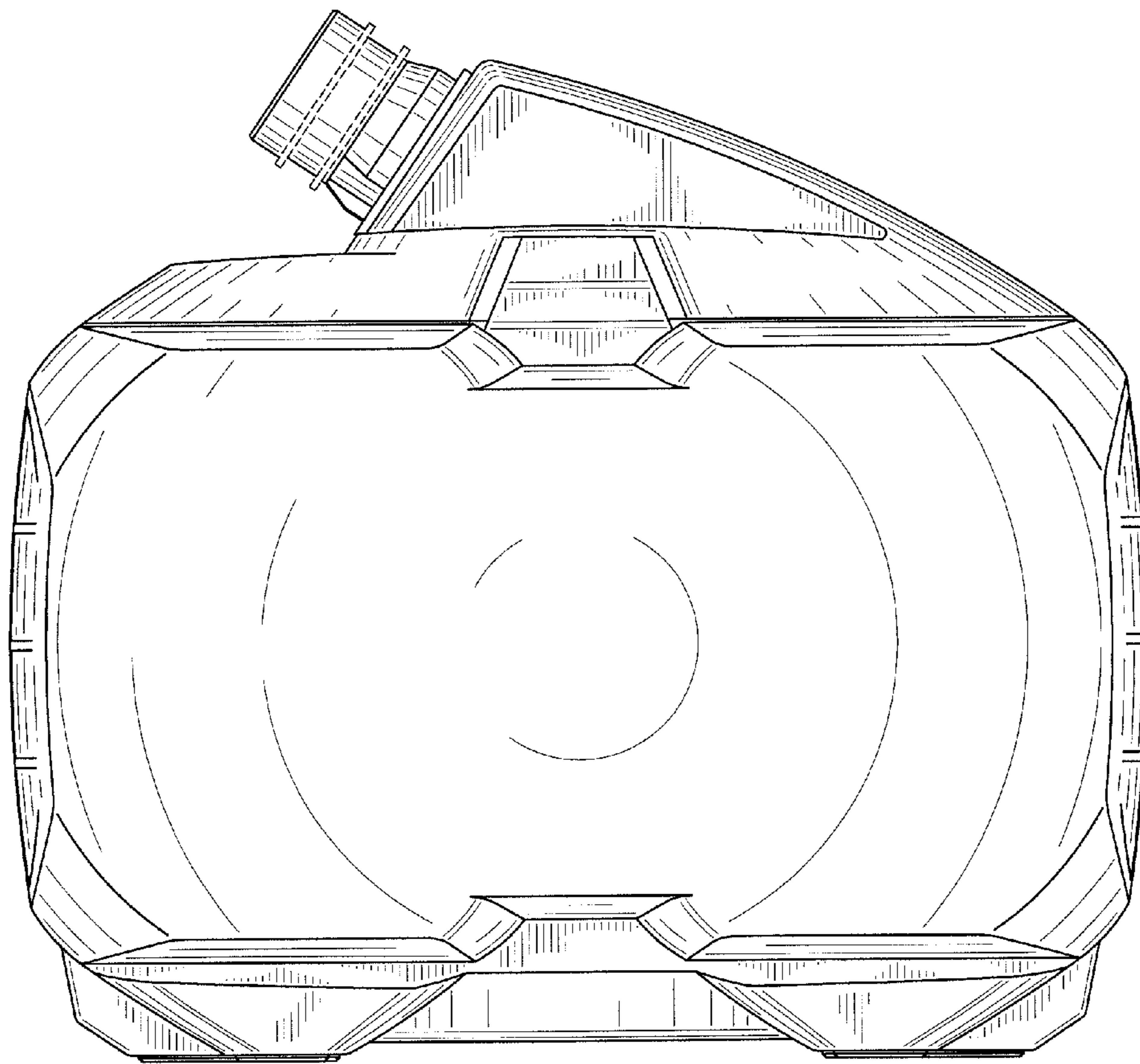


FIG. 2

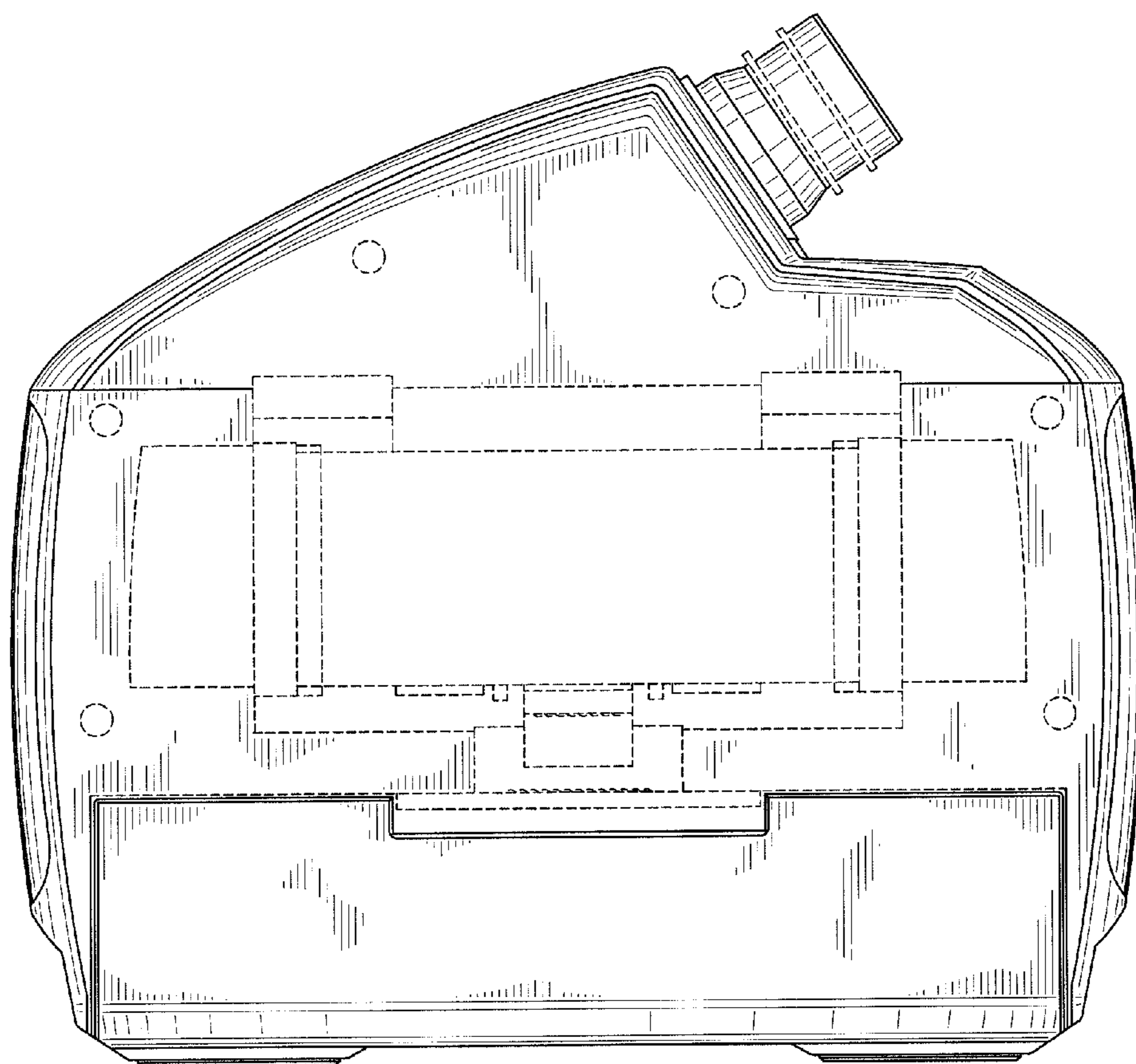


FIG. 3

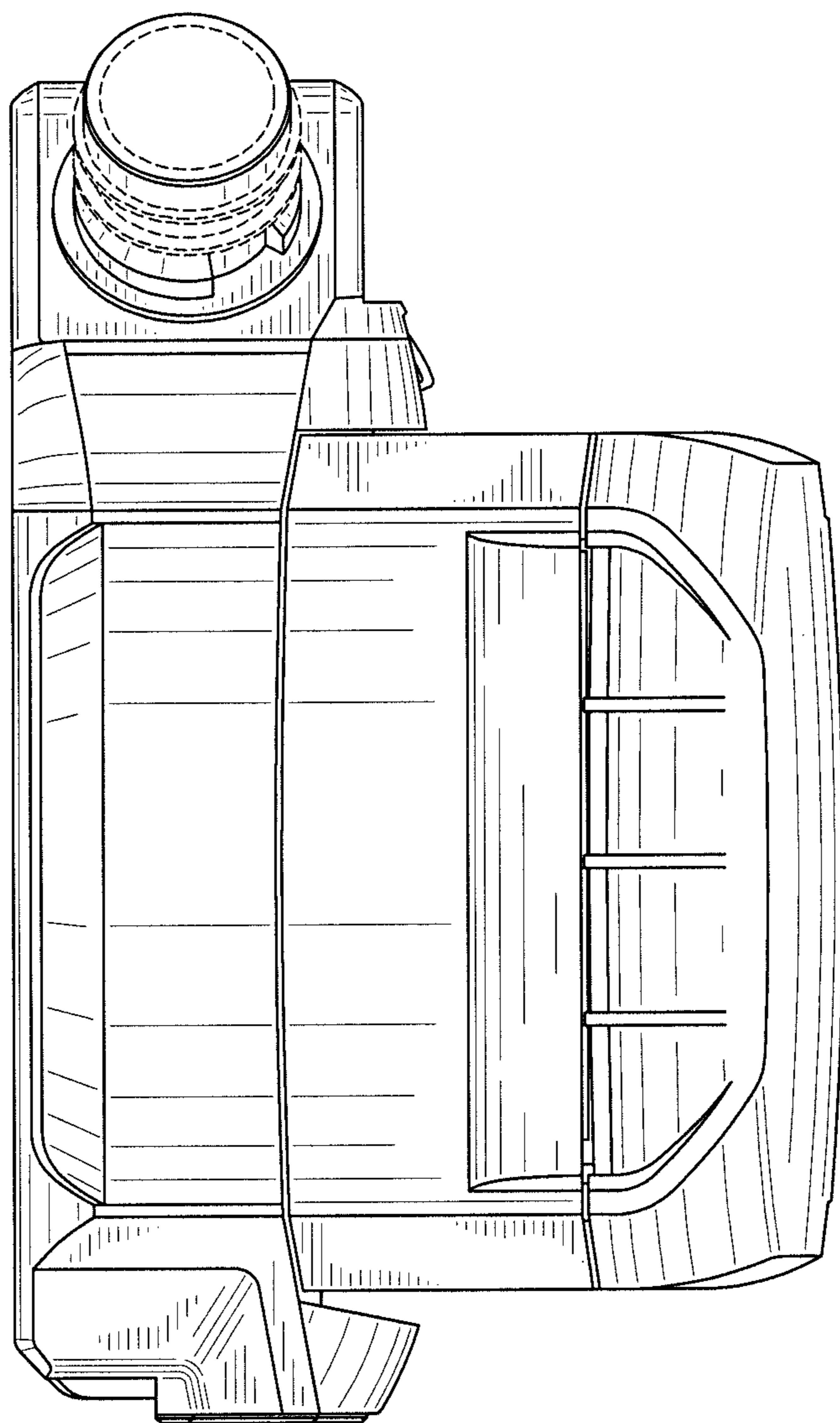


FIG. 4

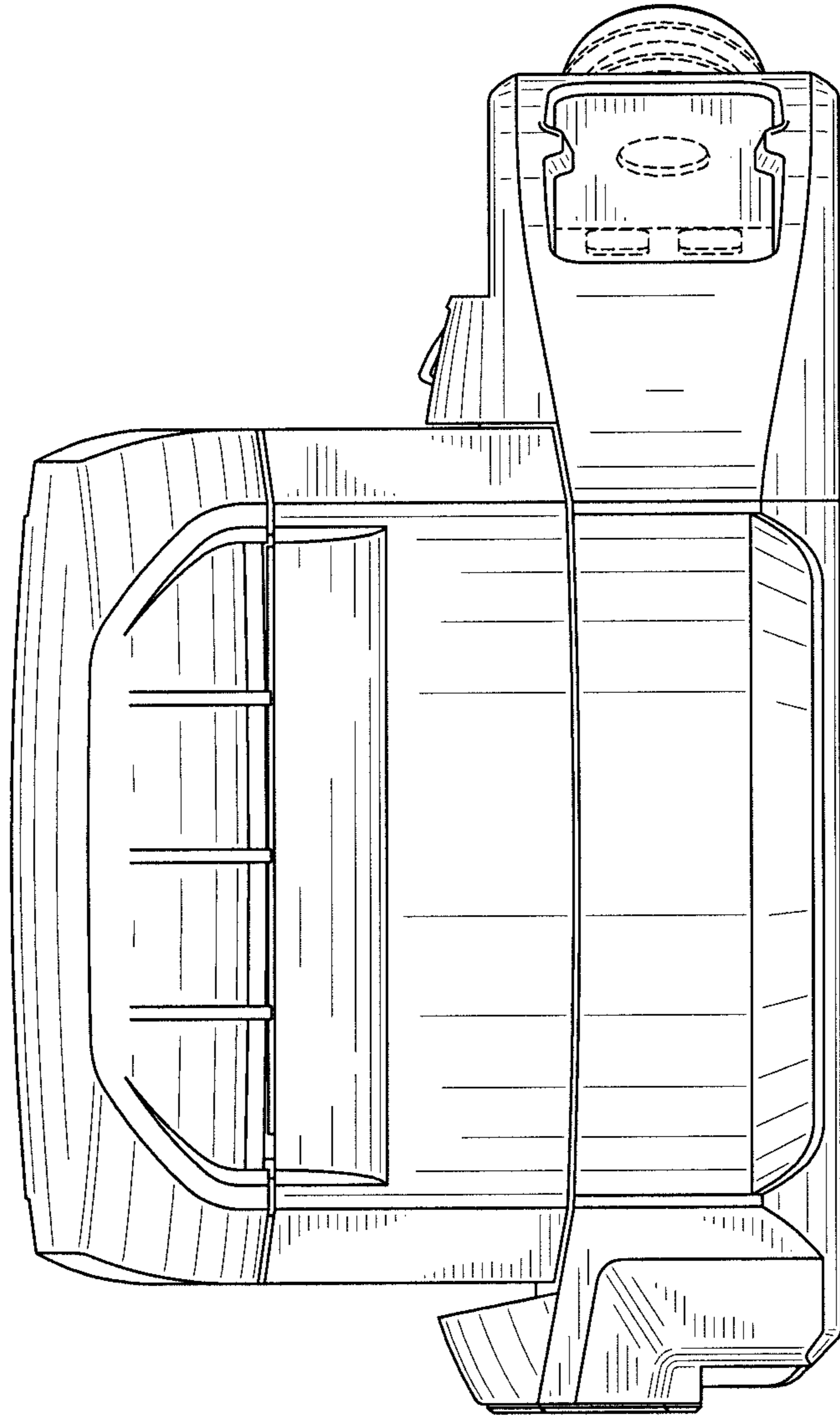


FIG. 5

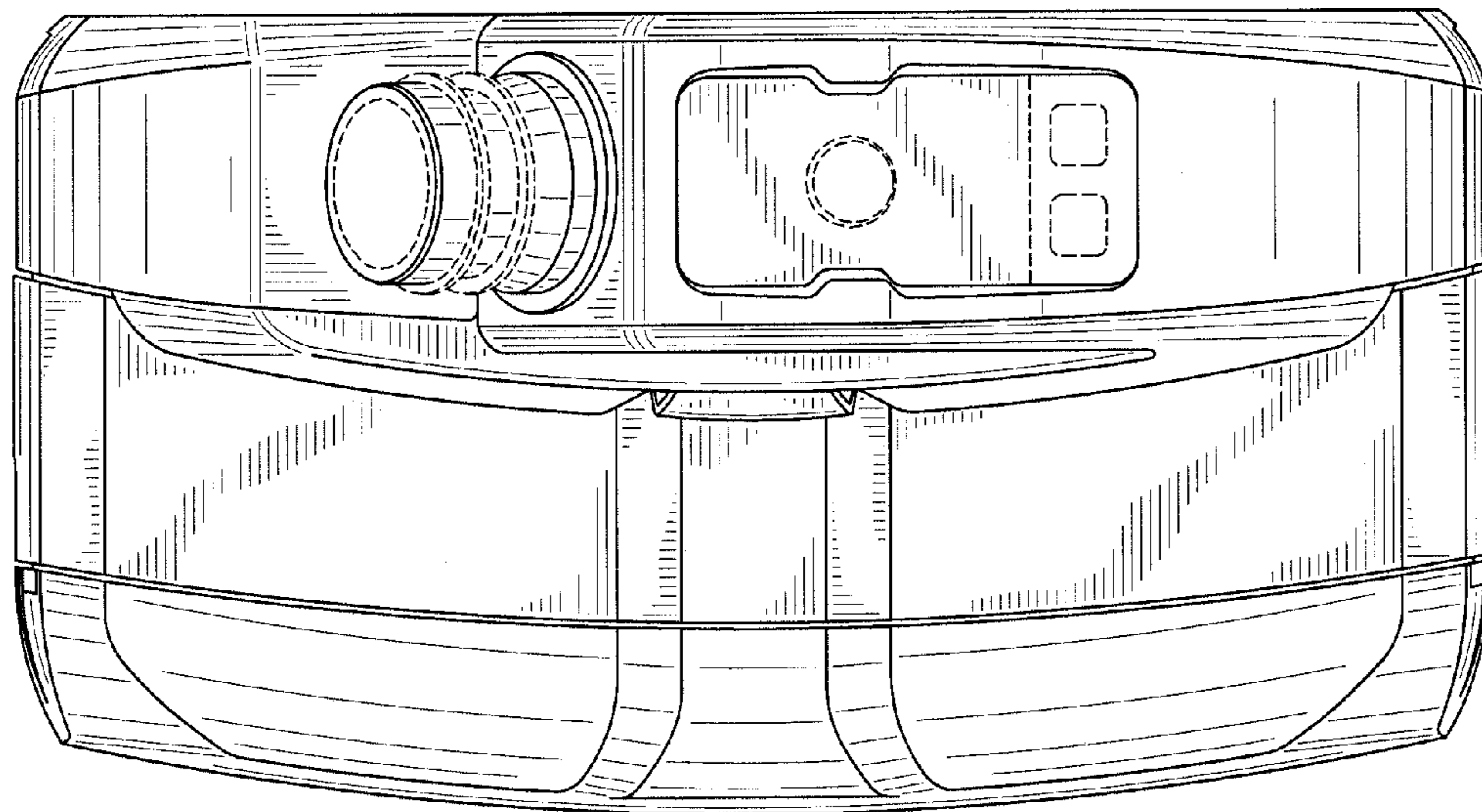


FIG. 6

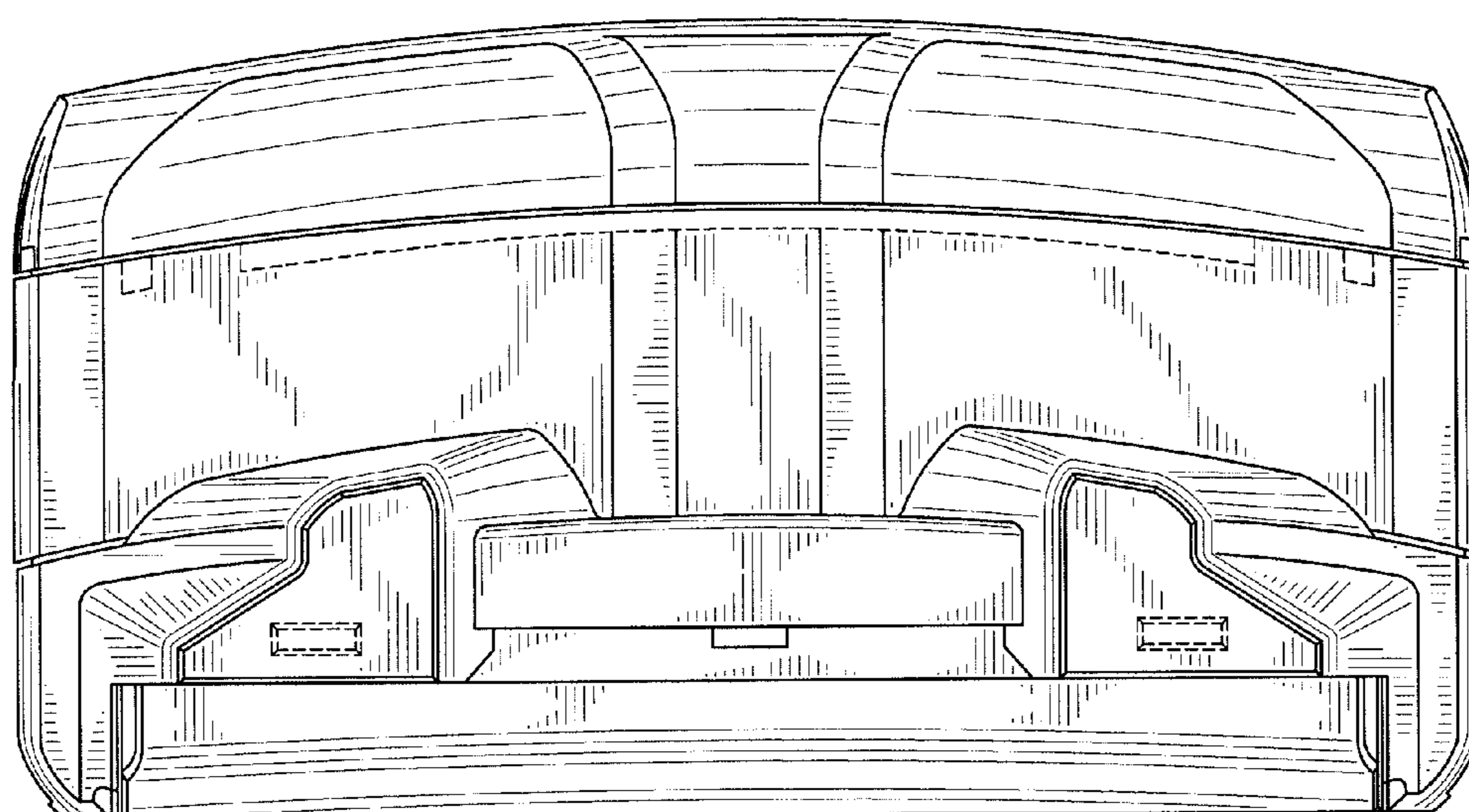


FIG. 7