

US00D727510S

(12) **United States Design Patent**
Talati et al.

(10) **Patent No.:** **US D727,510 S**

(45) **Date of Patent:** **** *Apr. 21, 2015**

(54) **HYPERBARIC CHAMBER GURNEY STORAGE DEVICE**

(75) Inventors: **Deepak Ambalal Talati**, Yorba Linda, CA (US); **Danny Bruce Hudson**, Perris, CA (US); **Teofilo Raymund G. Tan, III**, Anaheim, CA (US)

(73) Assignee: **Sechrist Industries, Inc.**, Anaheim, CA (US)

(*) Notice: This patent is subject to a terminal disclaimer.

(**) Term: **14 Years**

(21) Appl. No.: **29/430,865**

(22) Filed: **Aug. 30, 2012**

(51) **LOC (10) Cl.** **24-00**

(52) **U.S. Cl.**
USPC **D24/164**

(58) **Field of Classification Search**
USPC D24/164, 110, 110.5, 110.6, 167, 186, D24/185, 231, 234, 129, 118; 600/424, 426, 600/407, 484, 534, 390, 533; 606/96, 97, 606/98

See application file for complete search history.

(56) **References Cited**

U.S. PATENT DOCUMENTS

D639,954 S * 6/2011 Helgeson et al. D24/164
D651,714 S * 1/2012 Dougherty D24/164
D651,715 S * 1/2012 Dougherty, IV D24/164

D652,932 S * 1/2012 Petteway D24/164
D652,934 S * 1/2012 Dougherty, IV D24/164
2011/0048424 A1 3/2011 Radko
2012/0091122 A1* 4/2012 Ahmad et al. 219/632

* cited by examiner

Primary Examiner — Ian Simmons

Assistant Examiner — Rhea Shields

(74) *Attorney, Agent, or Firm* — Stetina Brunda Garred & Brucker

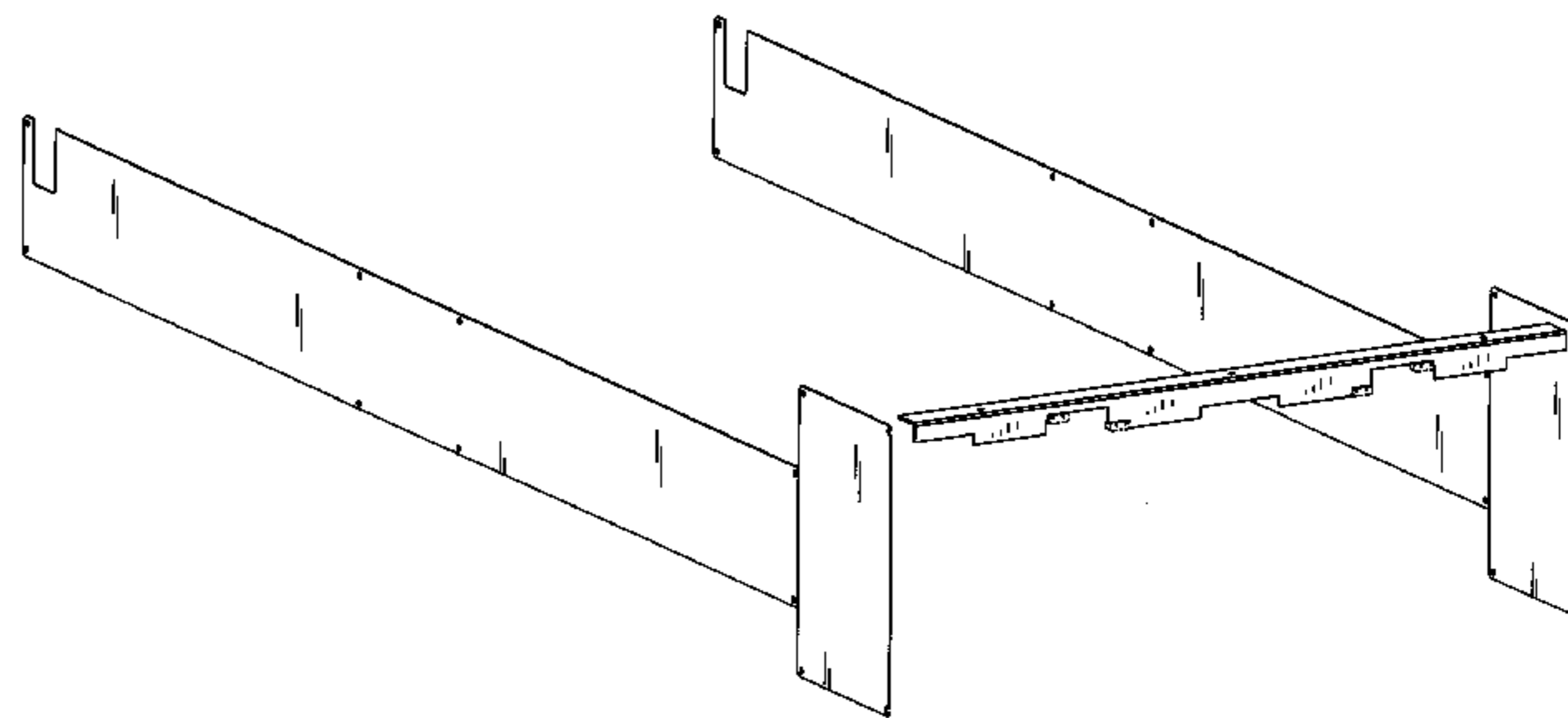
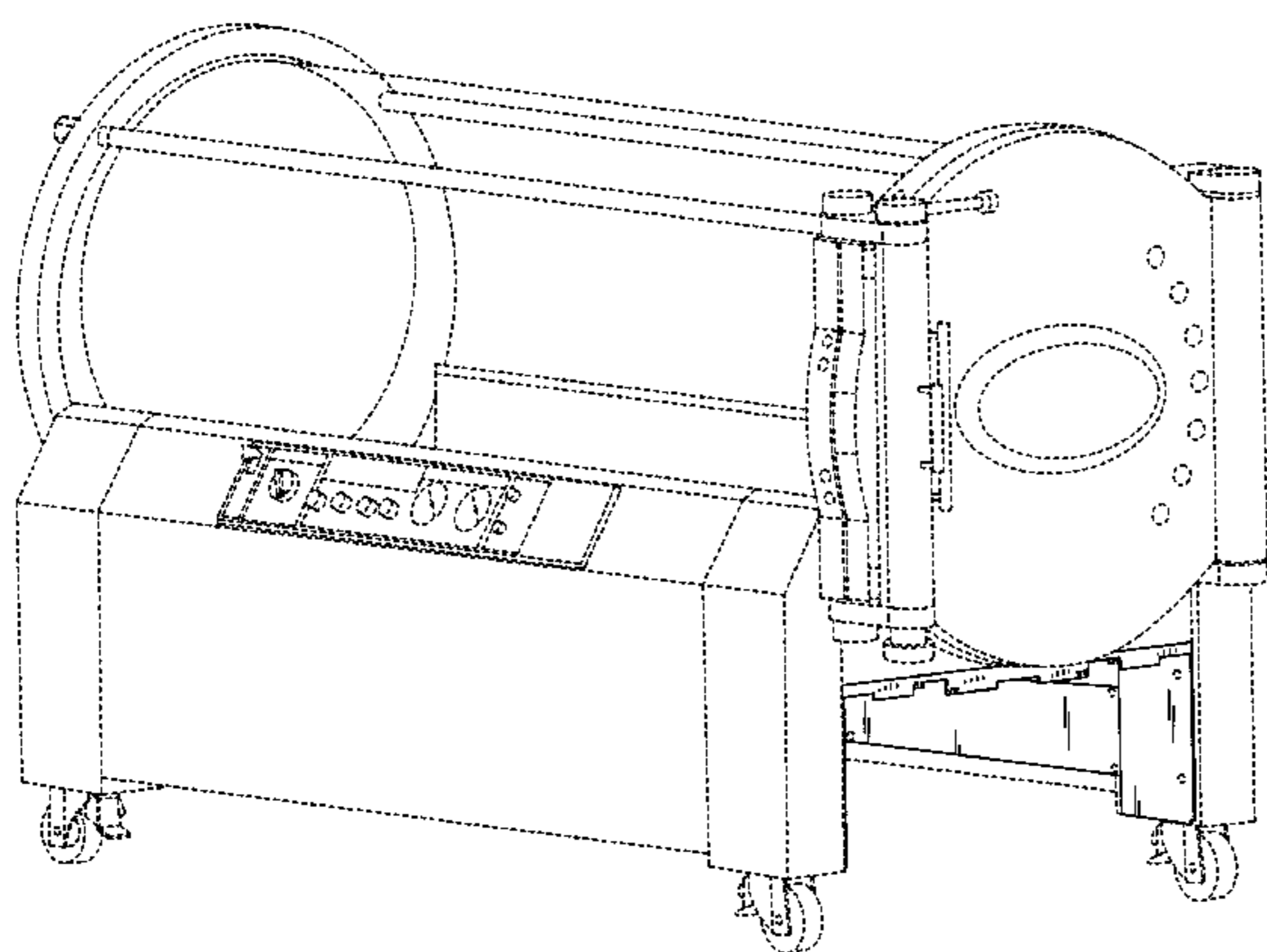
(57) **CLAIM**

The ornamental design for a hyperbaric chamber gurney storage device, as shown and described.

DESCRIPTION

FIG. 1 is a front perspective view of a hyperbaric chamber gurney storage device showing our new design; FIG. 2 is a front elevational view thereof; FIG. 3 is a perspective view thereof with the gurney removed therefrom; FIG. 4 is an end elevational view thereof with the gurney removed therefrom; FIG. 5 is a perspective view with the gurney and hyperbaric chamber removed therefrom; FIG. 6 is a front end elevational view thereof; FIG. 7 is a rear end elevational view thereof; FIG. 8 is a top plan view thereof; FIG. 9 is a side elevational view thereof; and, FIG. 10 is a bottom plan view thereof. The broken lines in FIGS. 1-4 illustrate unclaimed environment only and form no part of the claimed design.

1 Claim, 8 Drawing Sheets



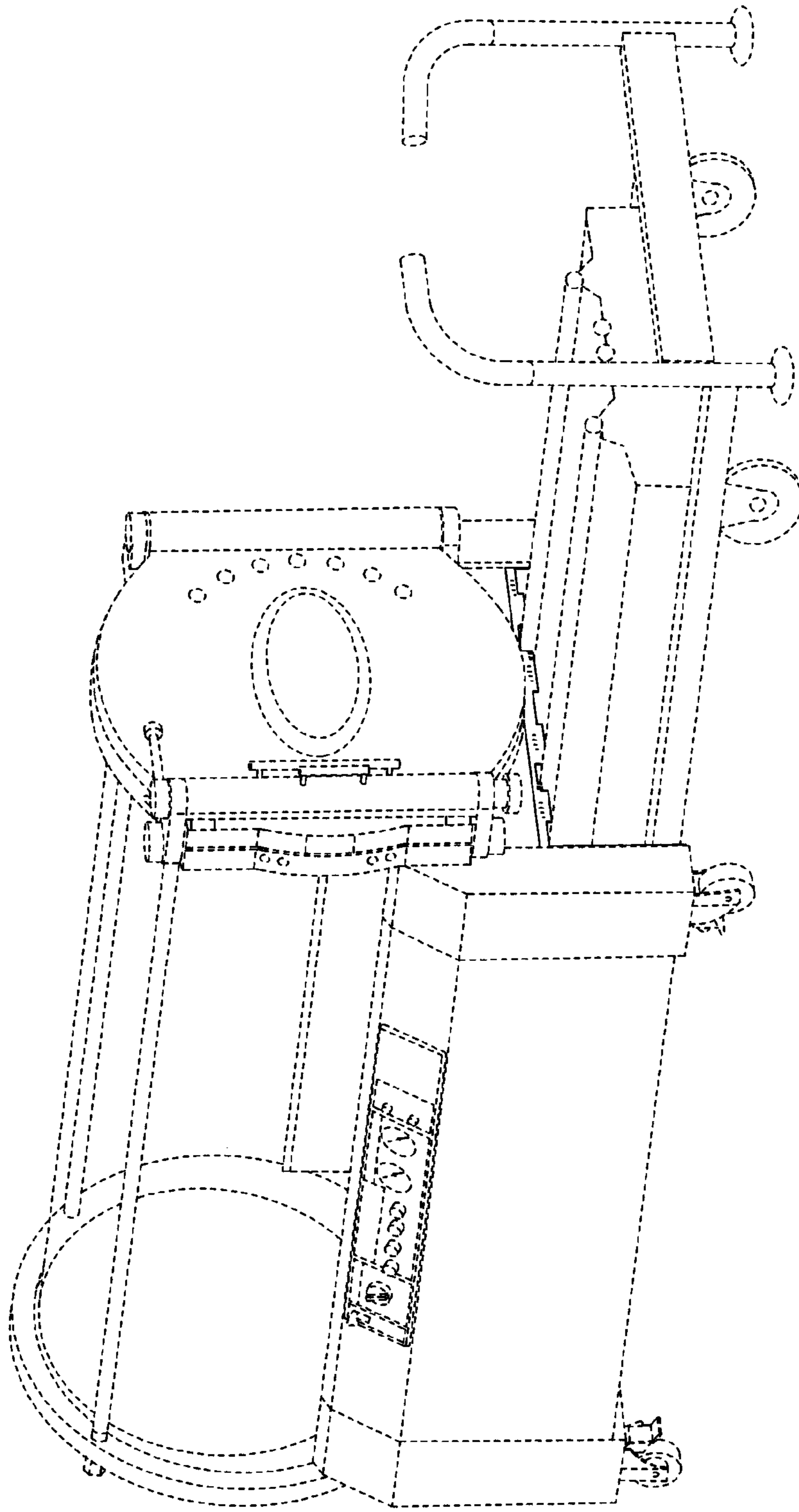


Fig. 1

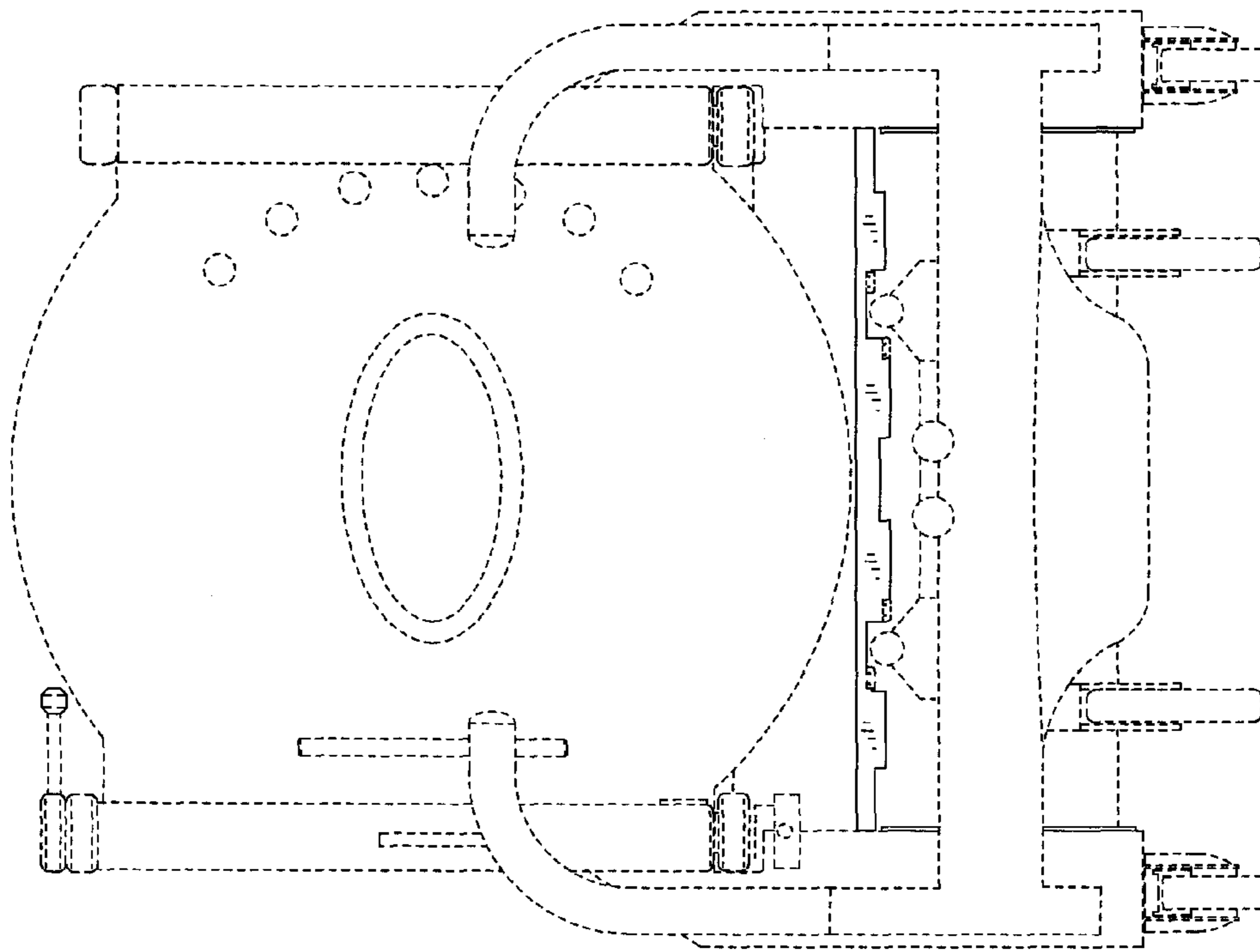


Fig. 2

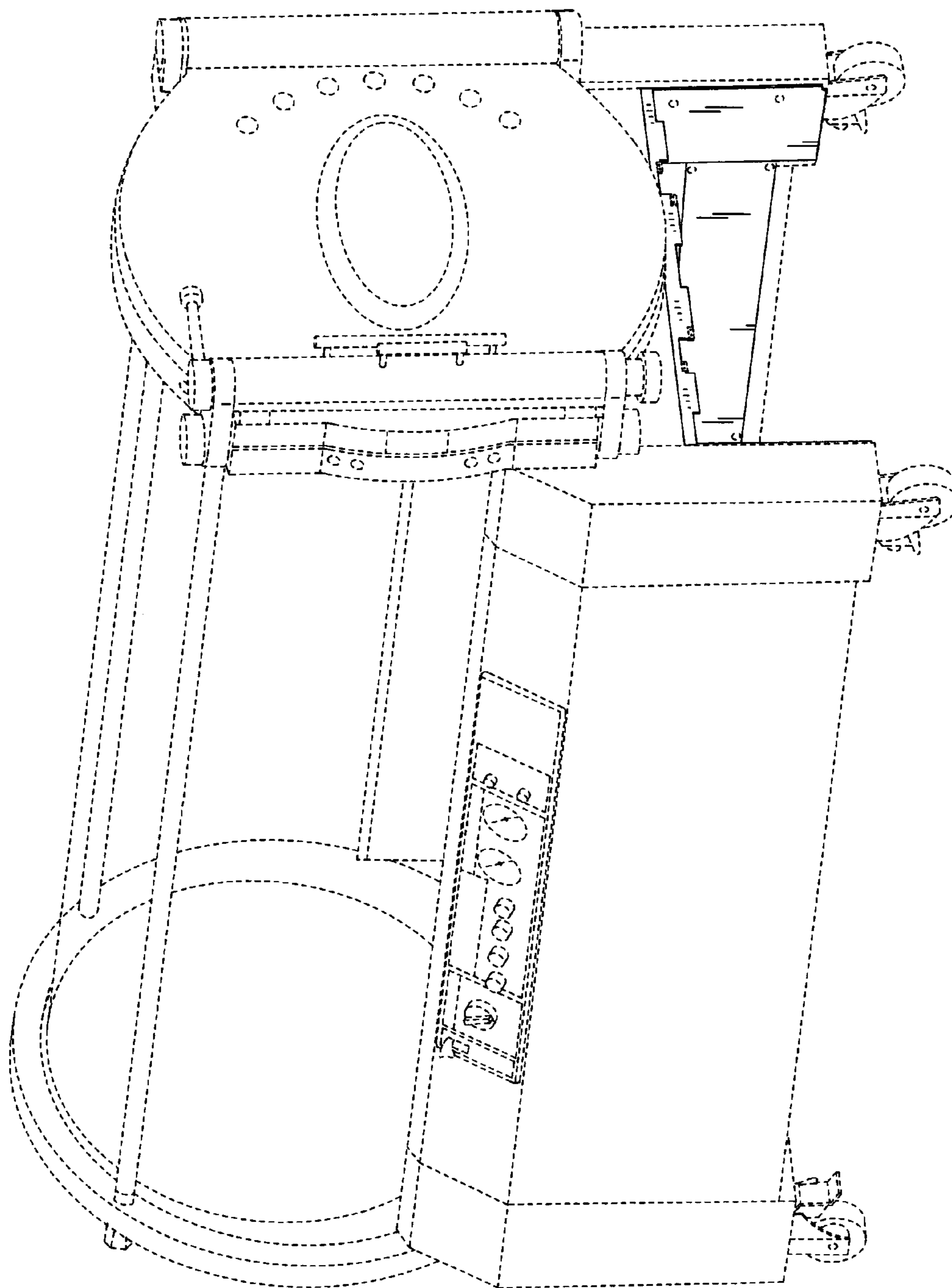


Fig. 3

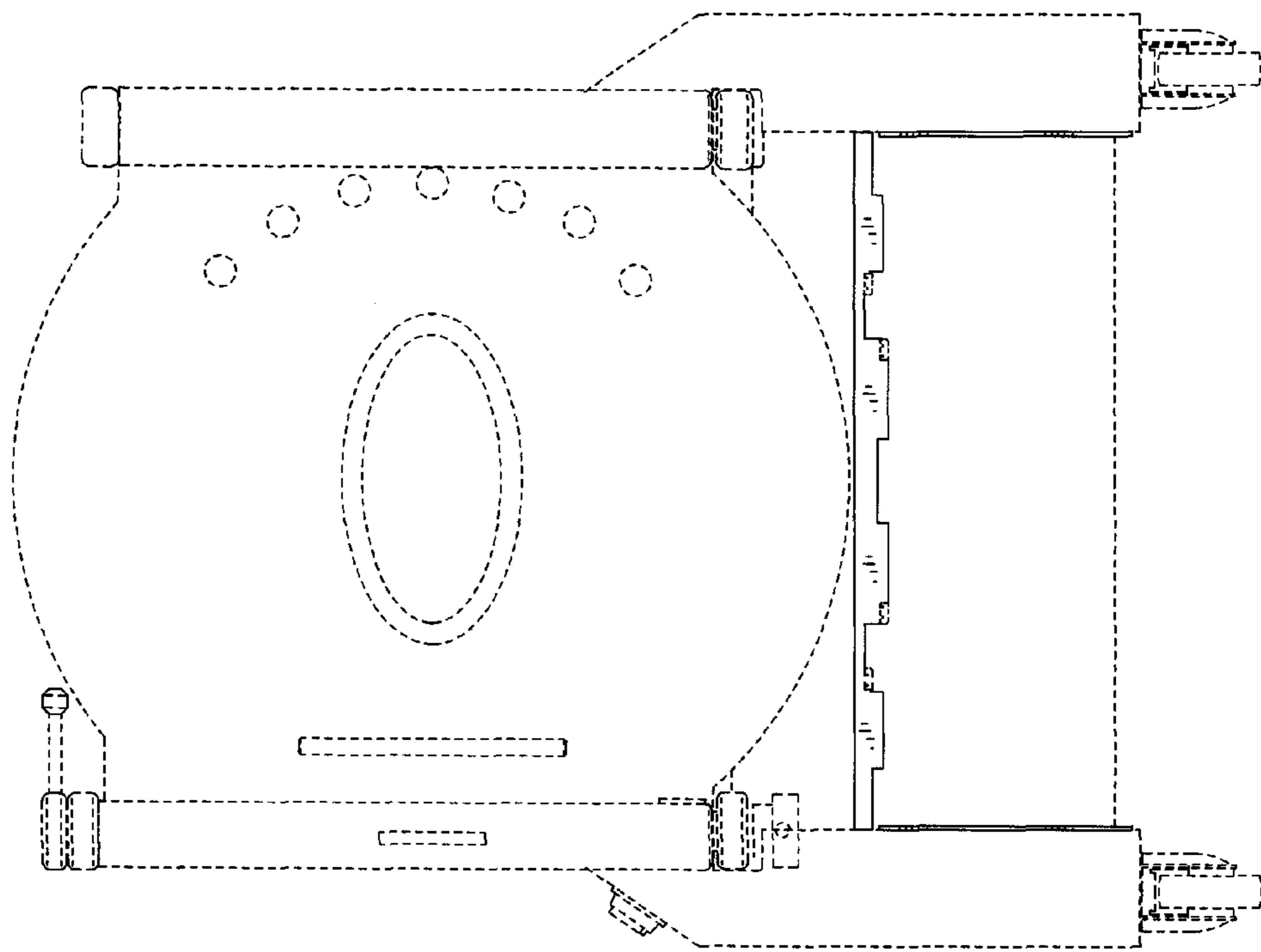


Fig. 4

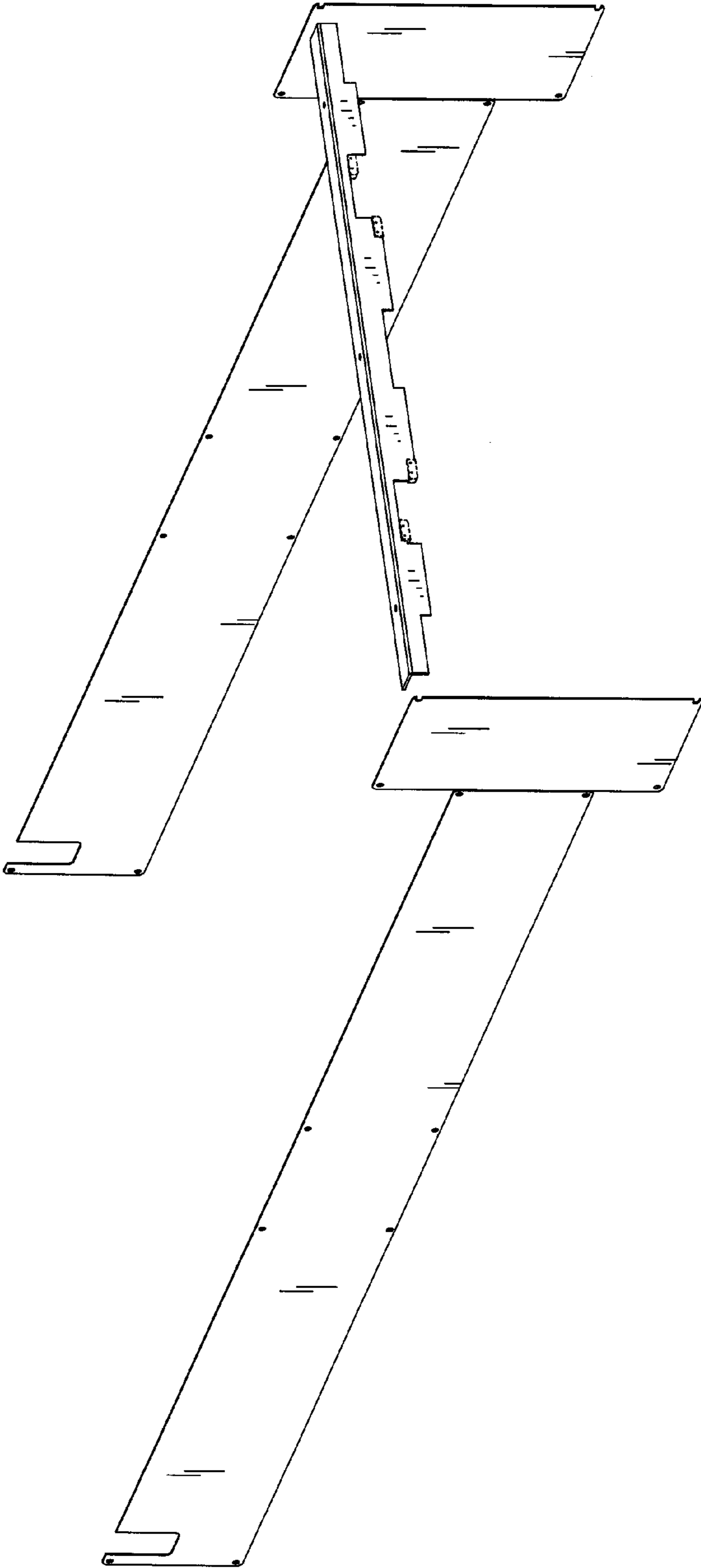


Fig. 5

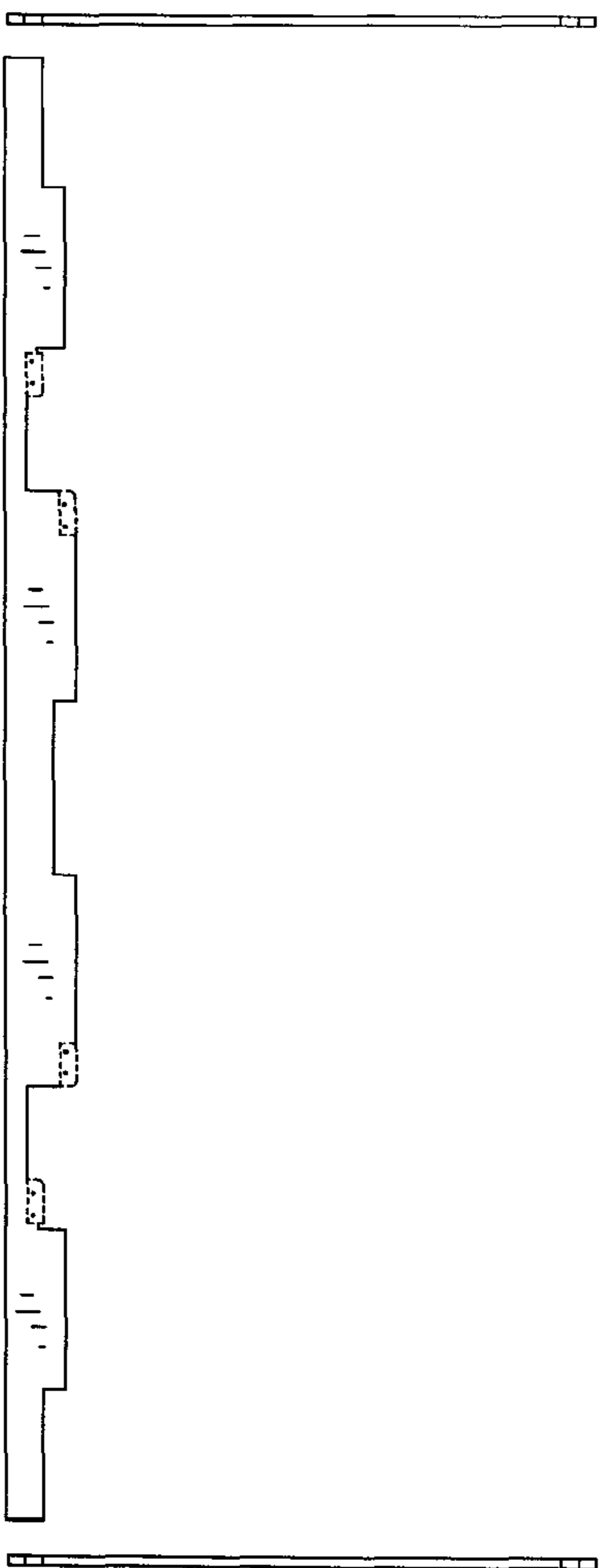


Fig. 6

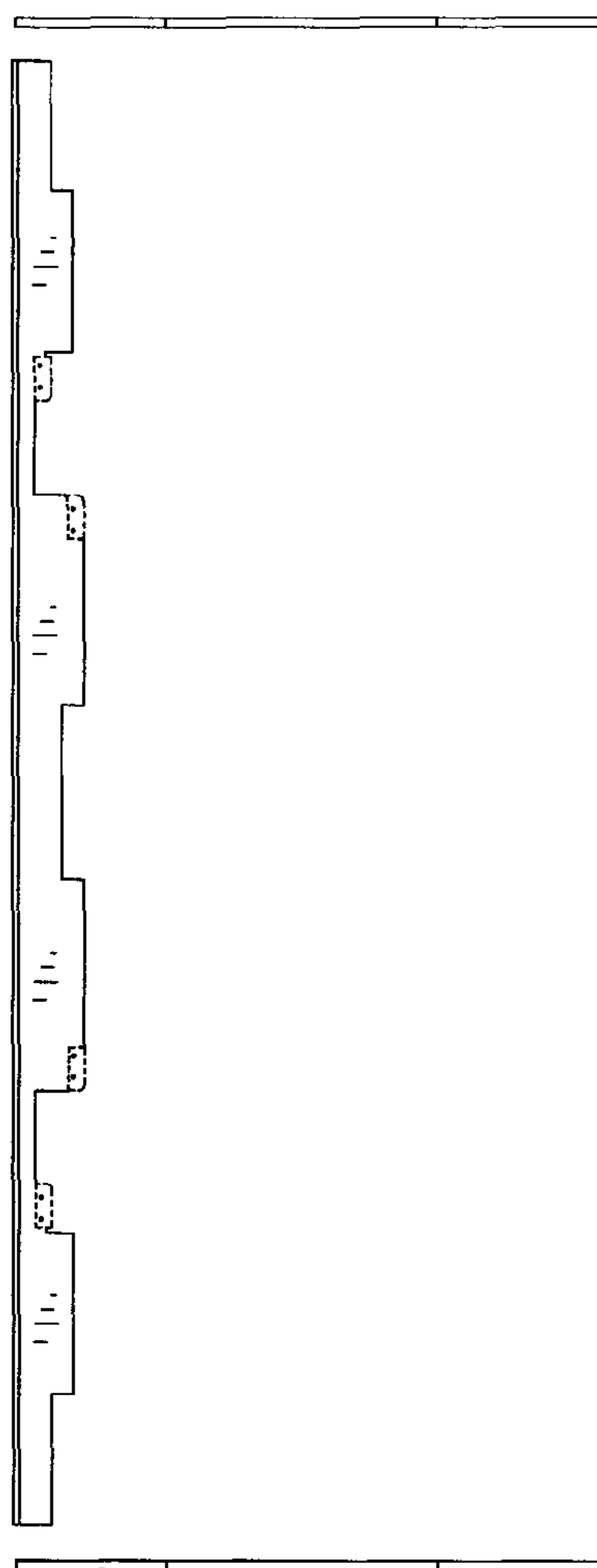


Fig. 7

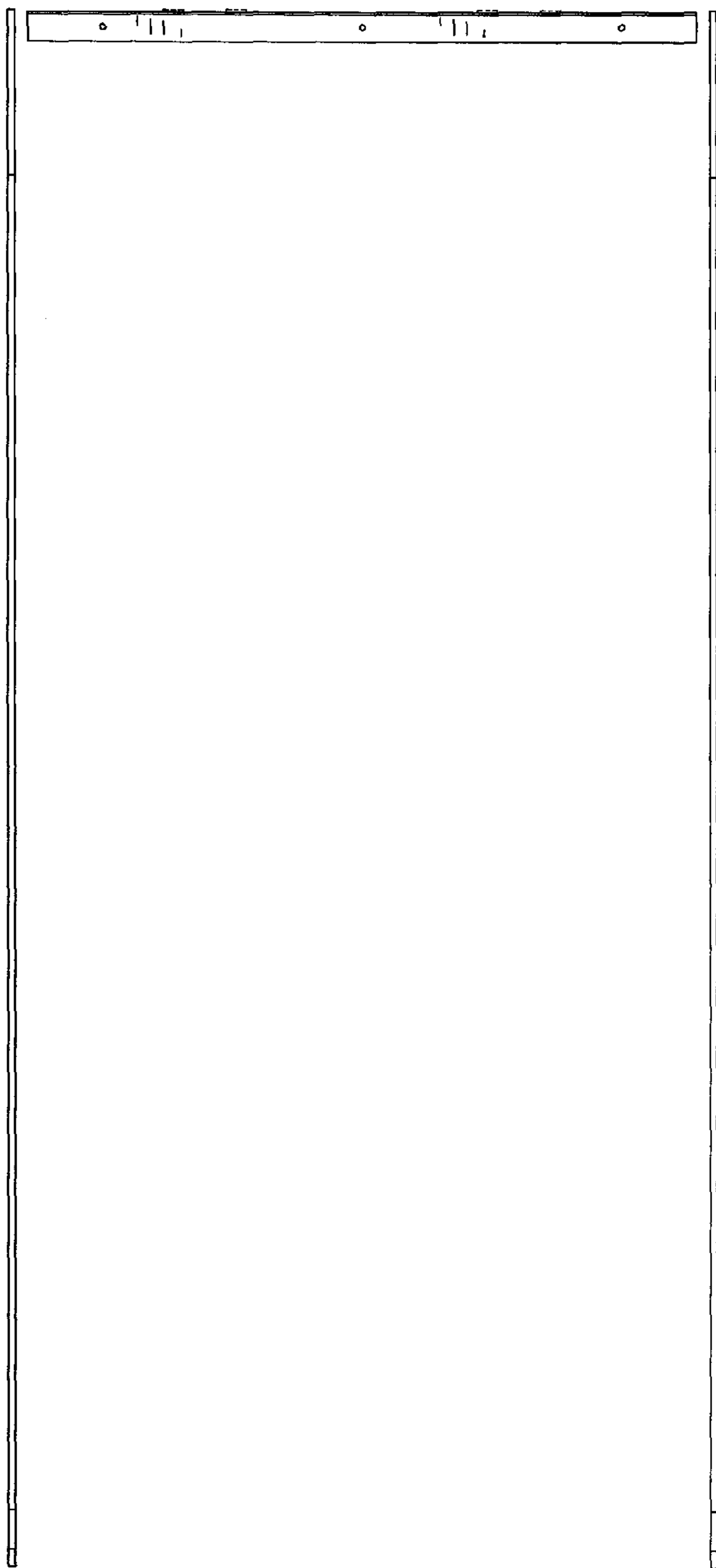


Fig. 8

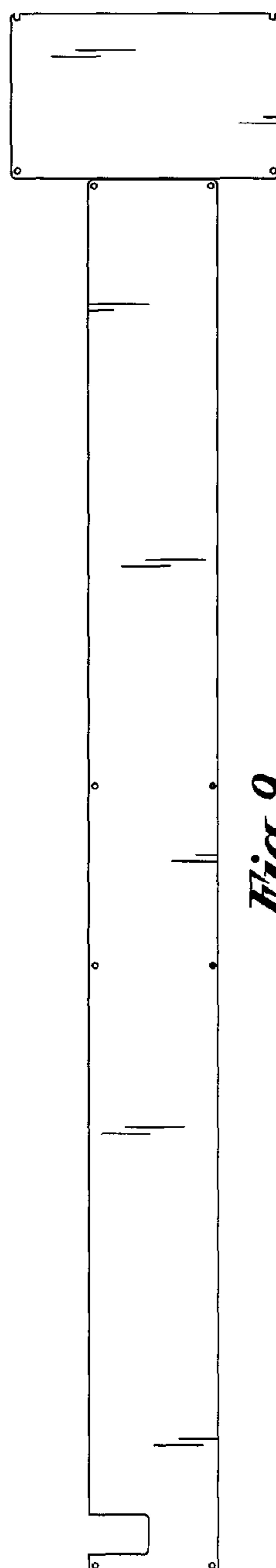


Fig. 9

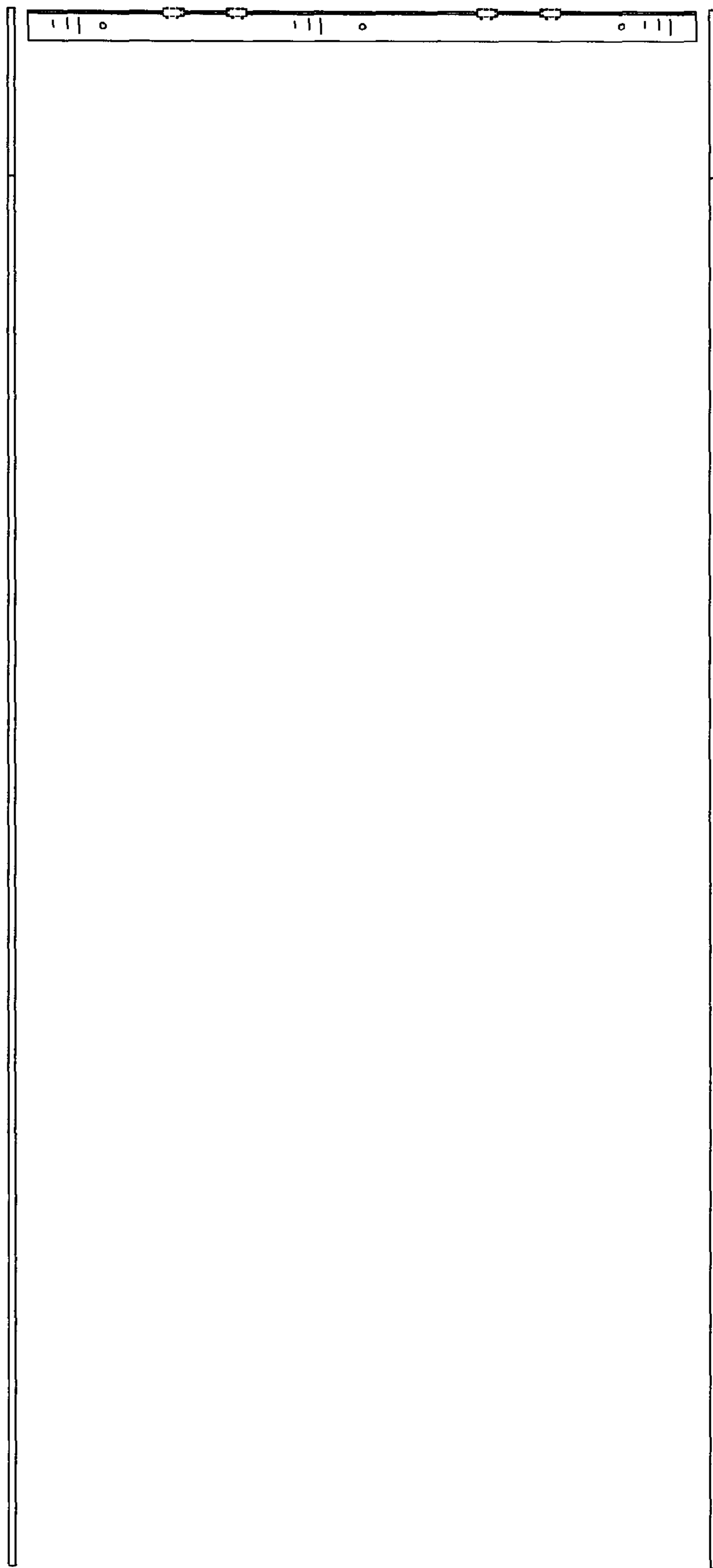


Fig. 10