



US00D727509S

(12) **United States Design Patent**  
**Tan et al.**

(10) **Patent No.:** **US D727,509 S**  
(45) **Date of Patent:** **\*\* Apr. 21, 2015**

(54) **PATIENT SUPPORT TABLE FOR CT/PET  
SCANNER**

(71) Applicant: **Koninklijke Philips N.V.**, Eindhoven  
(NL)

(72) Inventors: **Wee Kar Tan**, Medford, MA (US);  
**Eckhardt Henricus Matheus Schraven**,  
Rosmalen (NL); **Andrea Feuerabend**,  
Eindhoven (NL)

(73) Assignee: **Koninklijke Philips N.V.**, Eindhoven  
(NL)

(\*\*) Term: **14 Years**

(21) Appl. No.: **29/492,201**

(22) Filed: **May 29, 2014**

(30) **Foreign Application Priority Data**

Dec. 2, 2013 (EM) ..... 002363143-0001

(51) **LOC (10) Cl.** ..... **24-01**

(52) **U.S. Cl.**  
USPC ..... **D24/159**

(58) **Field of Classification Search**

USPC ..... D24/158–161, 185, 186, 183, 184;  
378/4, 15, 17, 21, 23–27, 62, 68,  
378/196–198, 209; 600/407, 409, 410, 415,  
600/421, 422, 425; 5/601, 607

See application file for complete search history.

(56) **References Cited**

U.S. PATENT DOCUMENTS

D462,445	S	*	9/2002	Barde et al.	.....	D24/183
D527,459	S	*	8/2006	Gireesh	.....	D24/183
D553,246	S	*	10/2007	Banryu	.....	D24/183
D630,330	S	*	1/2011	Baba	.....	D24/159
D669,990	S	*	10/2012	Degruytere	.....	D24/158
D681,208	S	*	4/2013	Ninomiya et al.	.....	D24/159
D701,605	S	*	3/2014	Ohmukai	.....	D24/183
2014/0053333	A1	*	2/2014	Krieg et al.	.....	5/601

\* cited by examiner

*Primary Examiner* — Anhdao Doan

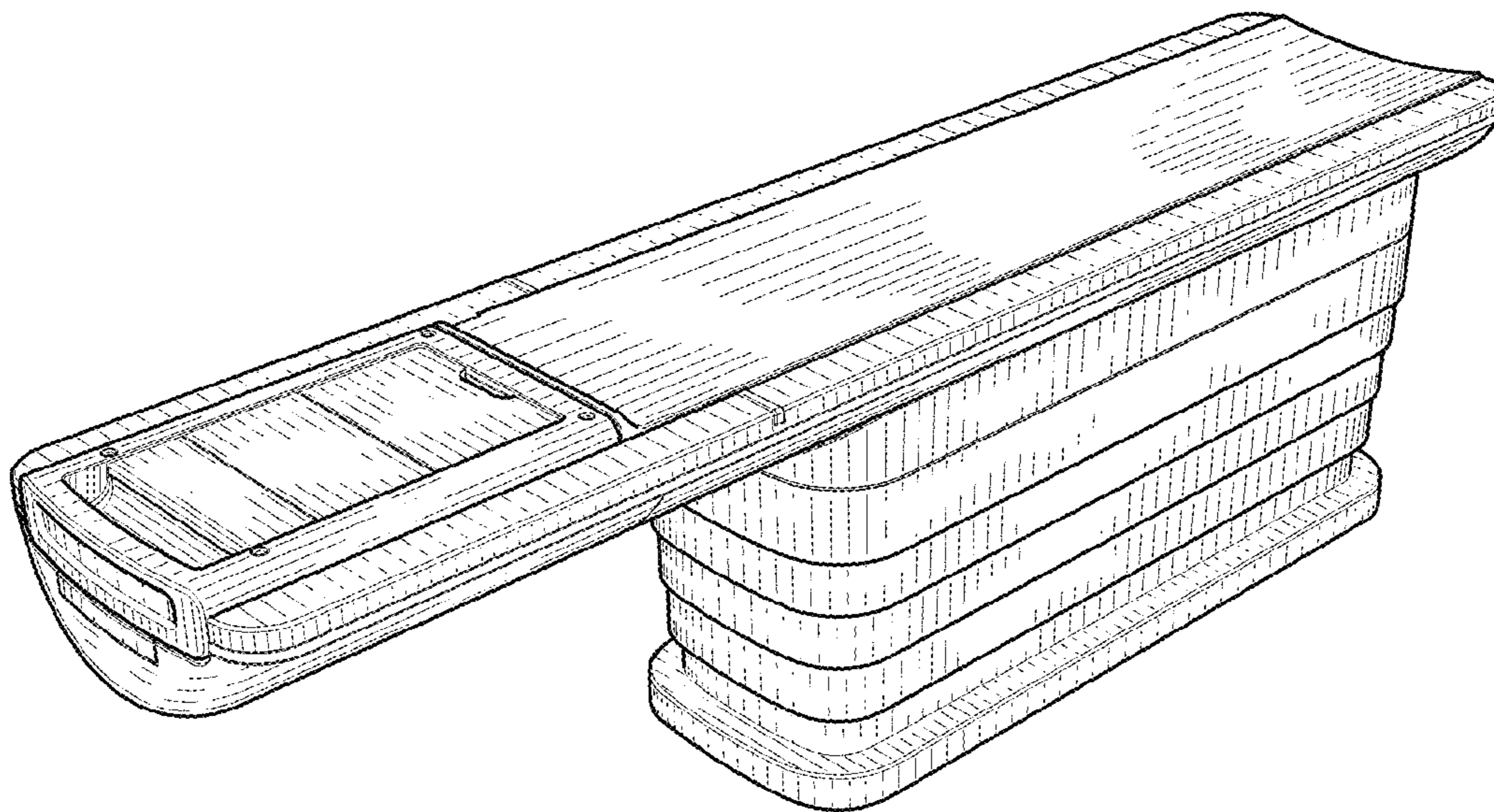
(57) **CLAIM**

The ornamental design for a patient support table for CT/PET scanner, as shown.

**DESCRIPTION**

FIG. 1 is a perspective view showing my design;  
FIG. 2 is a front elevational view thereof;  
FIG. 3 is a rear elevational view thereof;  
FIG. 4 is a right side elevational view thereof;  
FIG. 5 is a left side elevational view thereof;  
FIG. 6 is a top plan view thereof; and,  
FIG. 7 is a bottom plan view thereof.

**1 Claim, 4 Drawing Sheets**



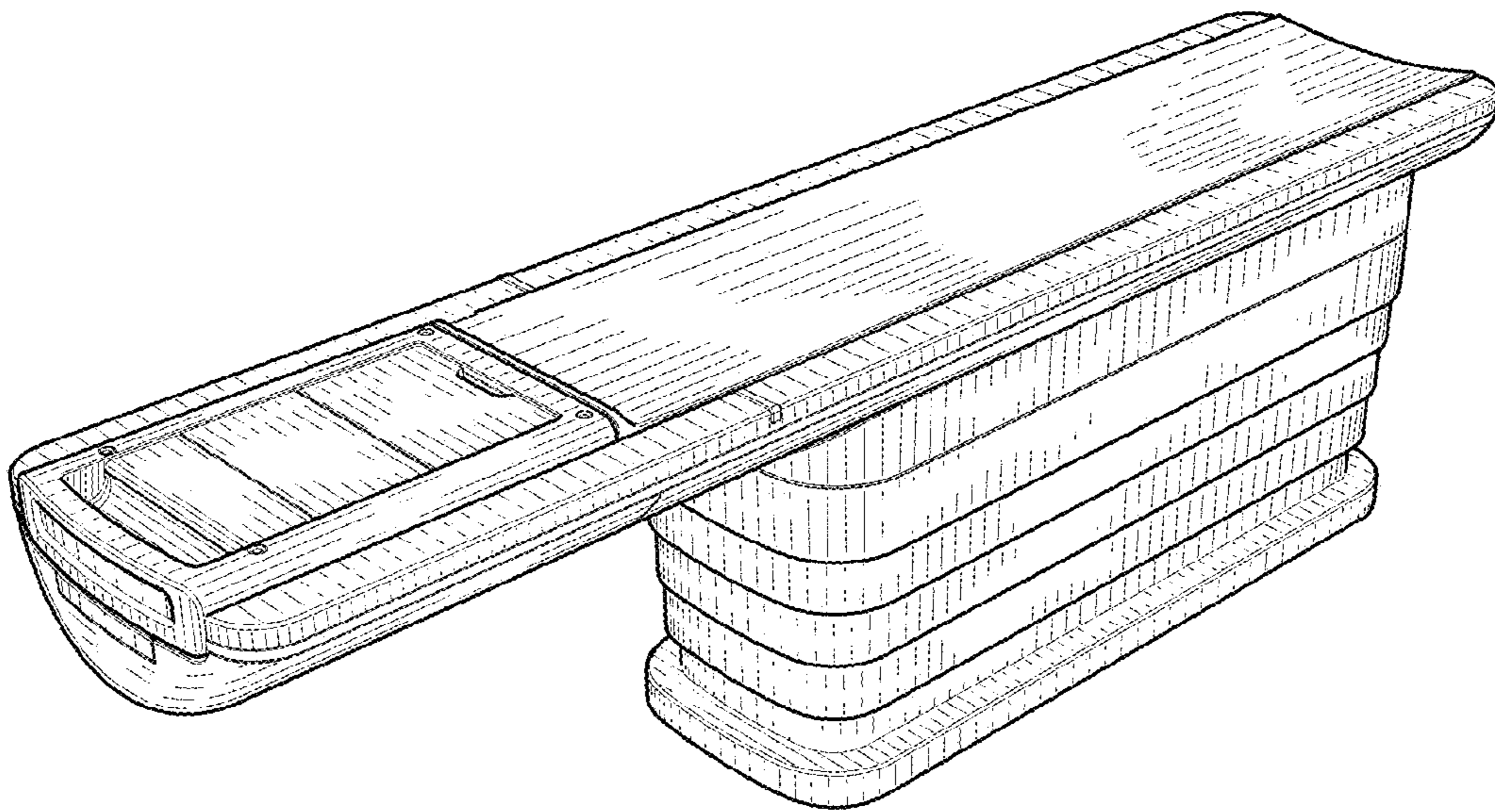


FIG. 1

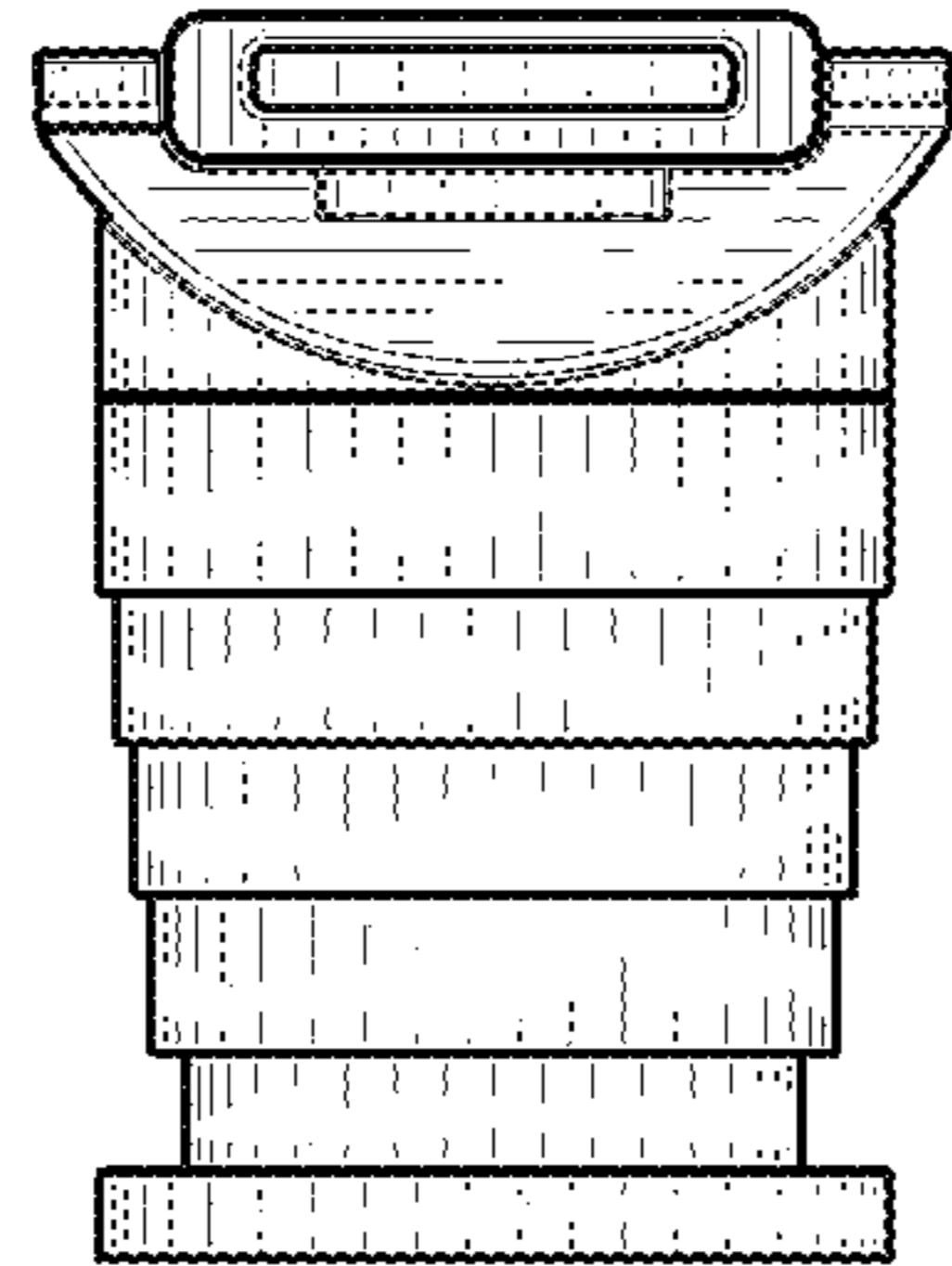


FIG. 2

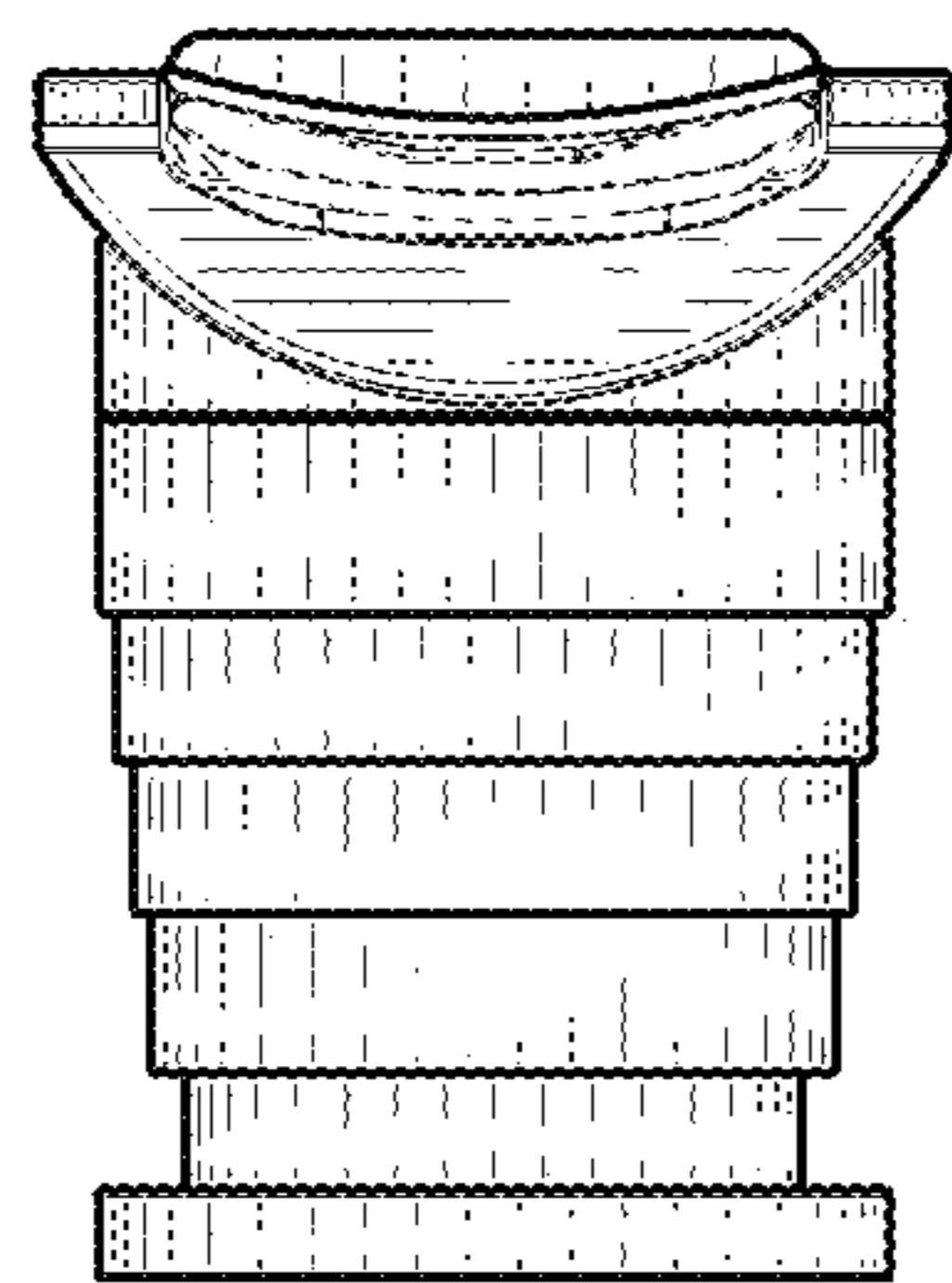


FIG. 3

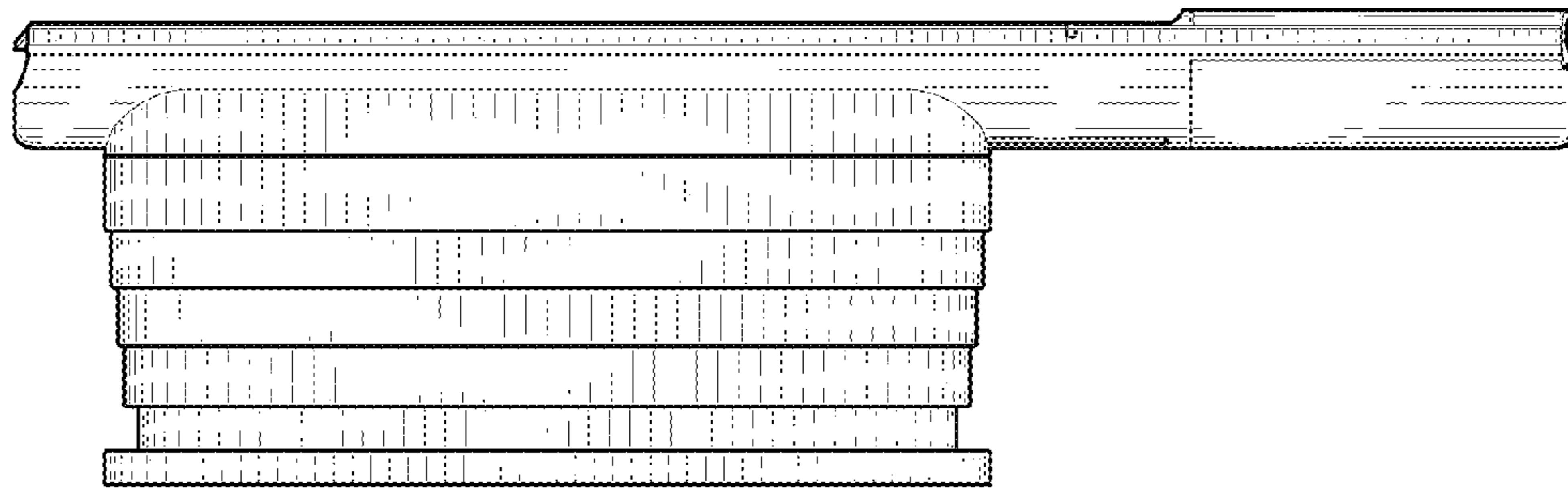


FIG. 4

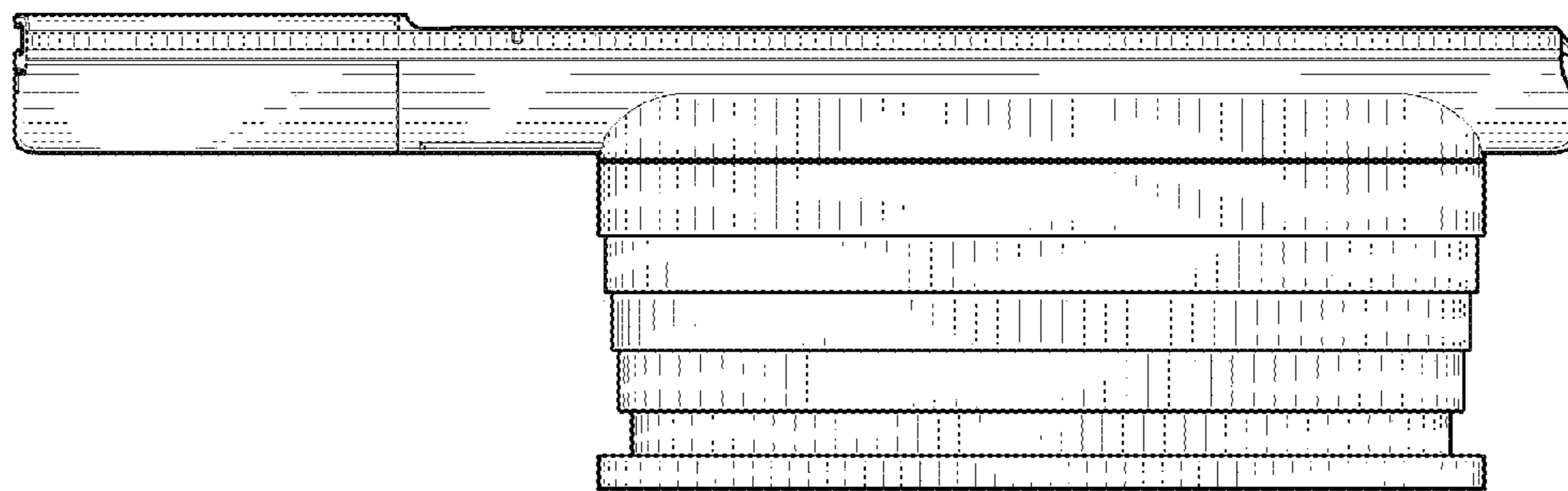


FIG. 5

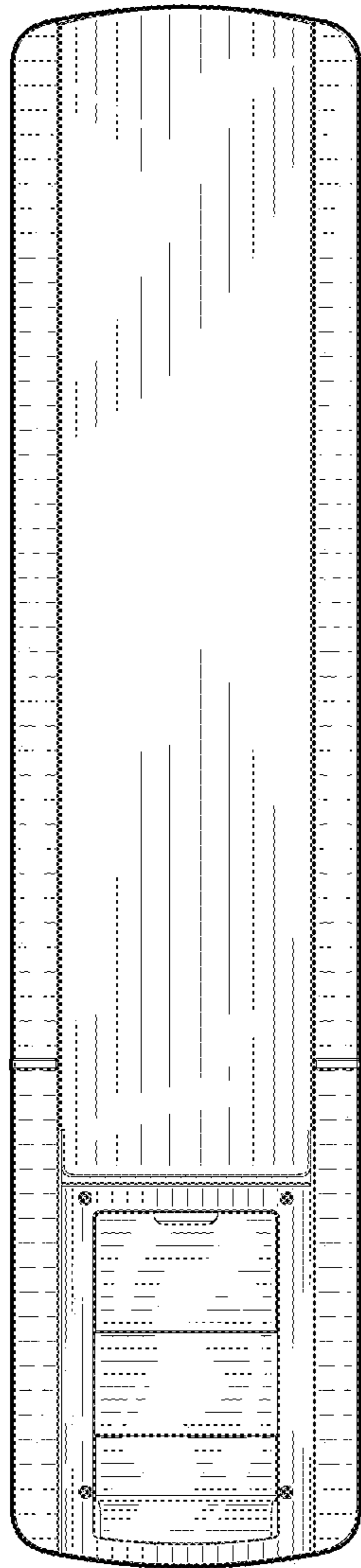


FIG. 6

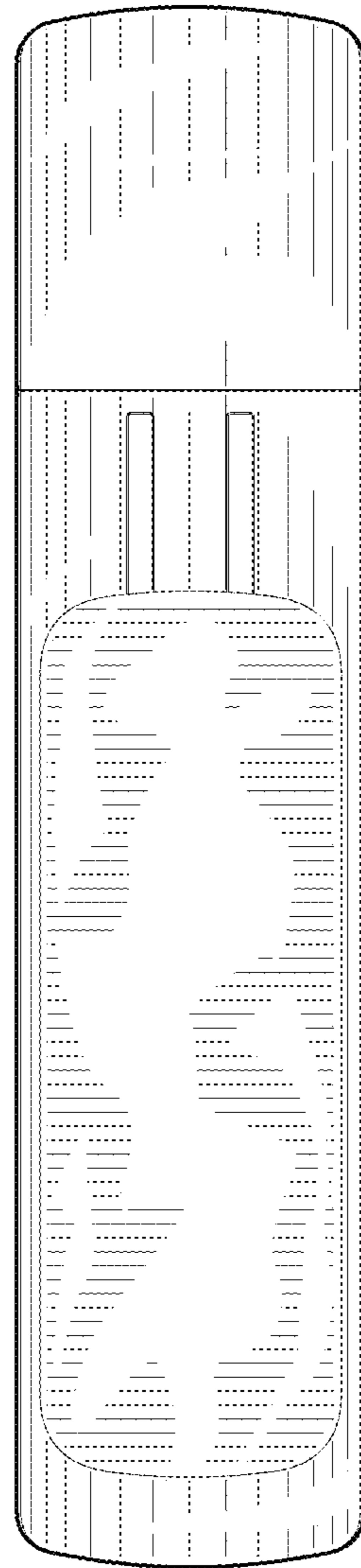


FIG. 7