



US00D727506S

(12) **United States Design Patent**
Tan et al.

(10) **Patent No.:** **US D727,506 S**
(45) **Date of Patent:** **** Apr. 21, 2015**

(54) **CONTROL PANEL FOR CT SCANNER**

(71) Applicant: **Koninklijke Philips N.V.**, Eindhoven (NL)
(72) Inventors: **Wee Kar Tan**, Medford, MA (US);
Andrea Feuerabend, Eindhoven (NL);
Inbal Miron Levy, Best (NL)
(73) Assignee: **Koninklijke Philips N.V.**, Eindhoven (NL)

(**) Term: **14 Years**

(21) Appl. No.: **29/492,205**

(22) Filed: **May 29, 2014**

(30) **Foreign Application Priority Data**

Dec. 2, 2013 (EM) 002363143-0004

(51) **LOC (10) Cl.** **24-01**

(52) **U.S. Cl.**
USPC **D24/158**

(58) **Field of Classification Search**
USPC D24/158-161, 185, 186; 378/4, 15, 17,
378/21, 23-27, 62, 68, 196-198; 600/407,
600/409, 410, 415, 421, 422, 425;
D13/162, 164, 170, 171; D14/388, 443
See application file for complete search history.

(56) **References Cited**

U.S. PATENT DOCUMENTS

D545,966 S *	7/2007	Ogiwara	D24/158
D548,344 S *	8/2007	Ogiwara	D24/158
D630,751 S *	1/2011	Yanase et al.	D24/158
D669,867 S *	10/2012	Gilbert et al.	D13/162
D685,093 S *	6/2013	Shimizu	D24/158
D713,961 S *	9/2014	Yokoyama et al.	D24/158

* cited by examiner

Primary Examiner — Anhdao Doan

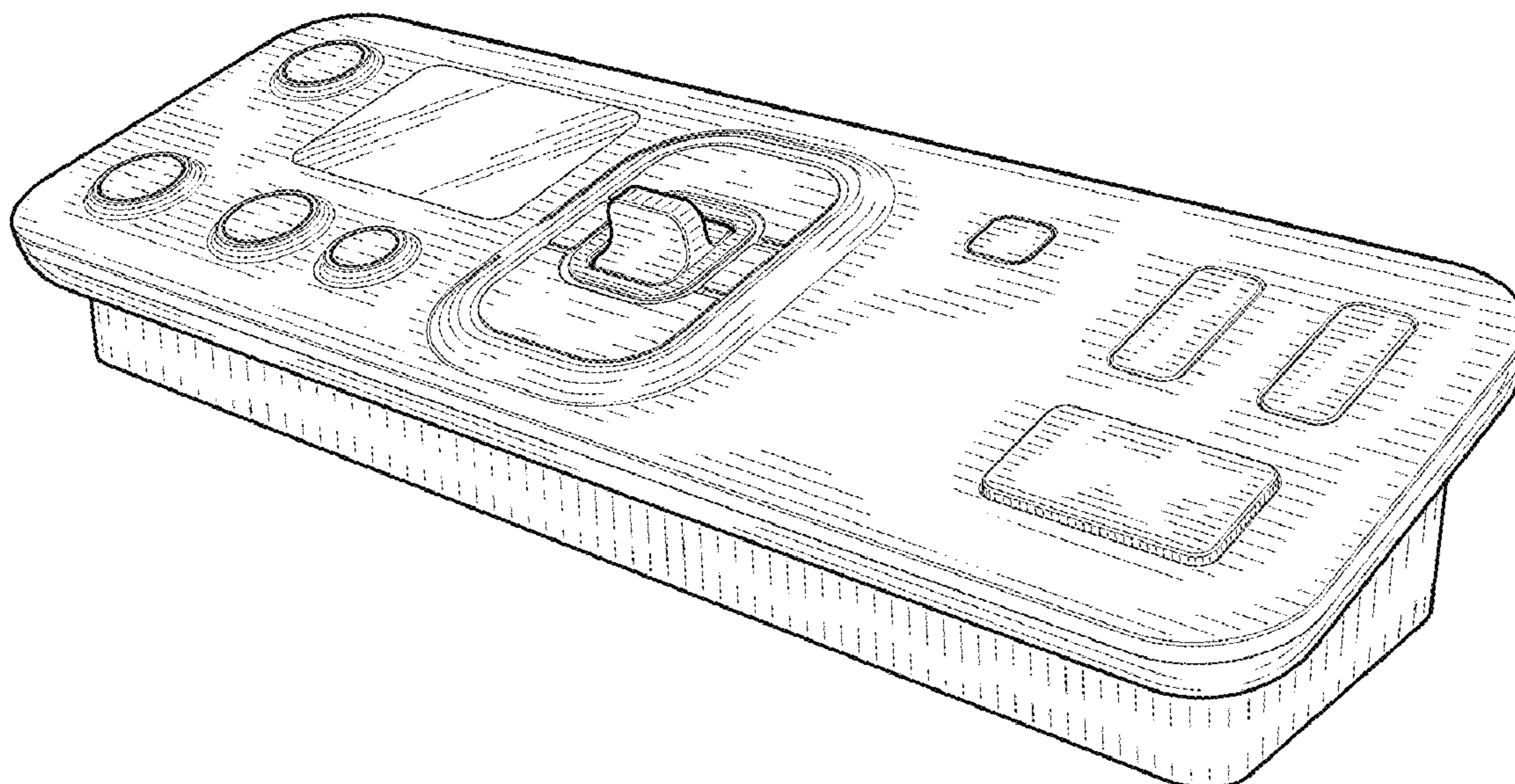
(57) **CLAIM**

The ornamental design for a control panel for CT scanner, as shown.

DESCRIPTION

FIG. 1 is a perspective view showing my design;
FIG. 2 is a front elevational view thereof;
FIG. 3 is a rear elevational view thereof;
FIG. 4 is a right side elevational view thereof;
FIG. 5 is a left side elevational view thereof;
FIG. 6 is a top plan view thereof; and,
FIG. 7 is a bottom plan view thereof.

1 Claim, 4 Drawing Sheets



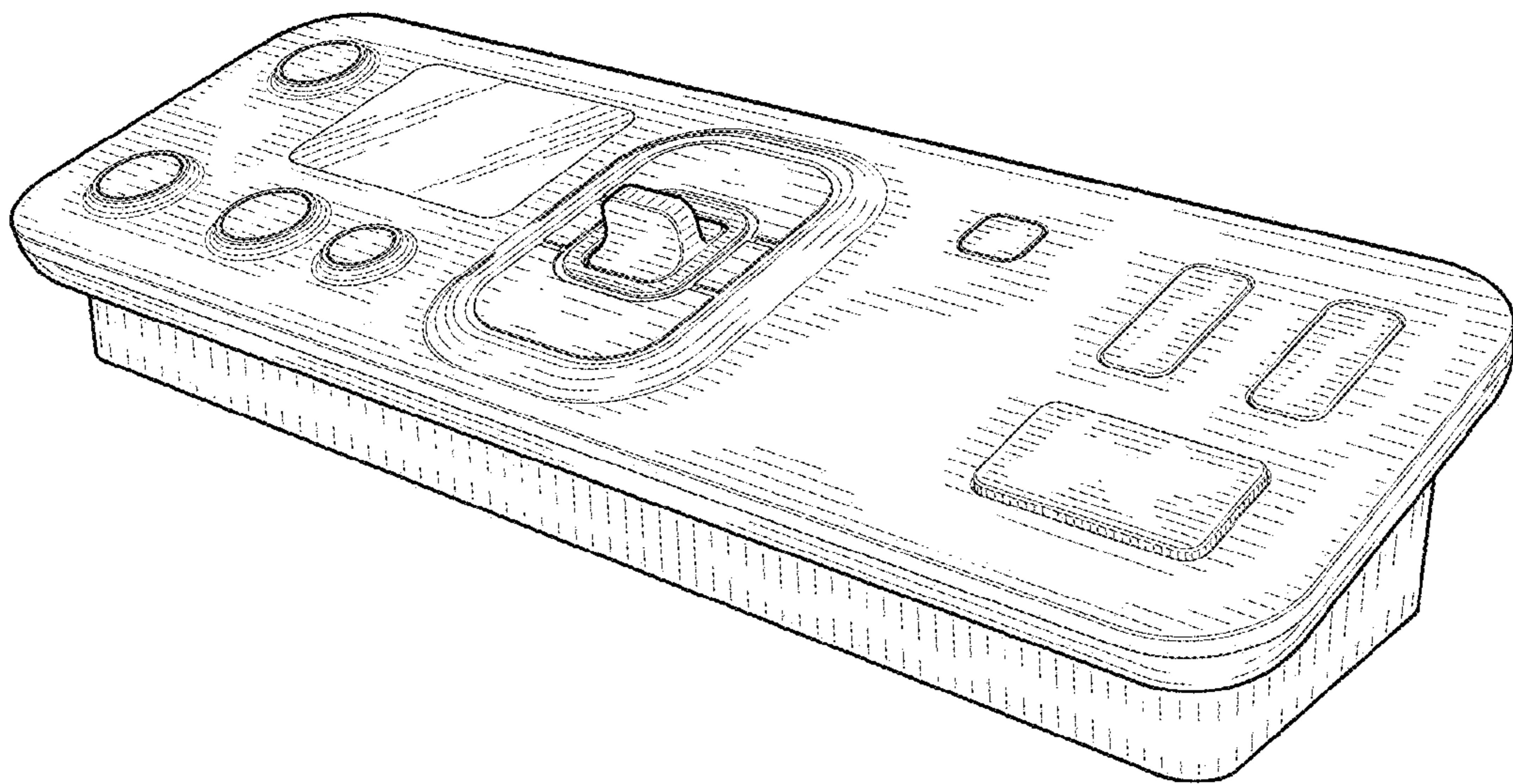


FIG. 1

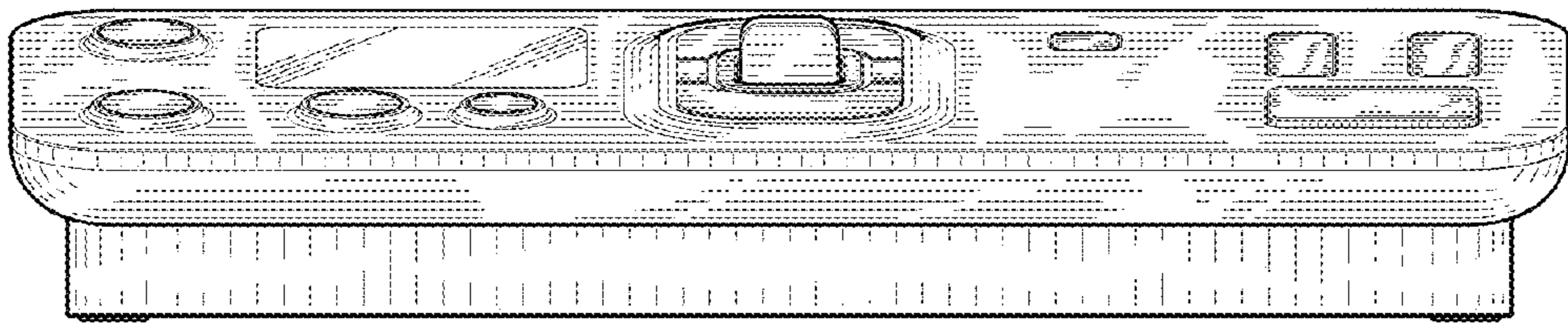


FIG. 2

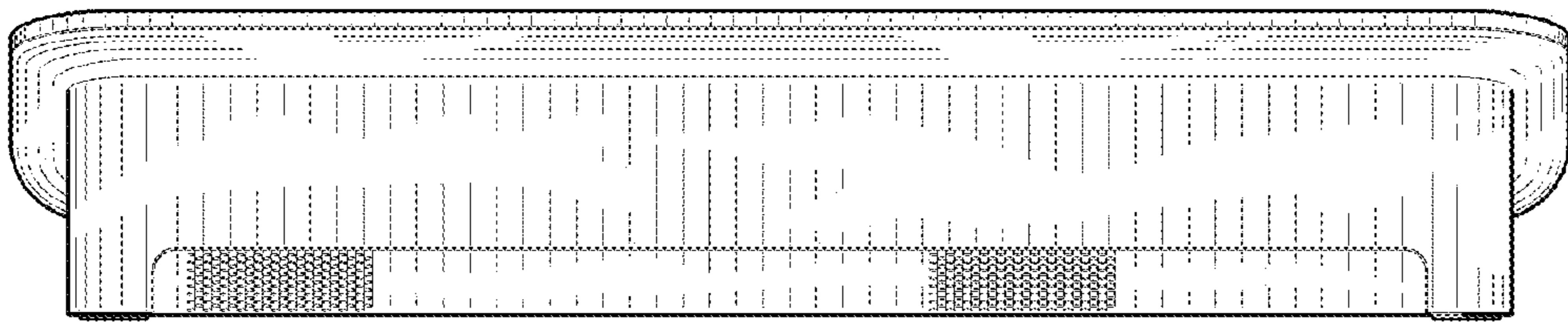


FIG. 3

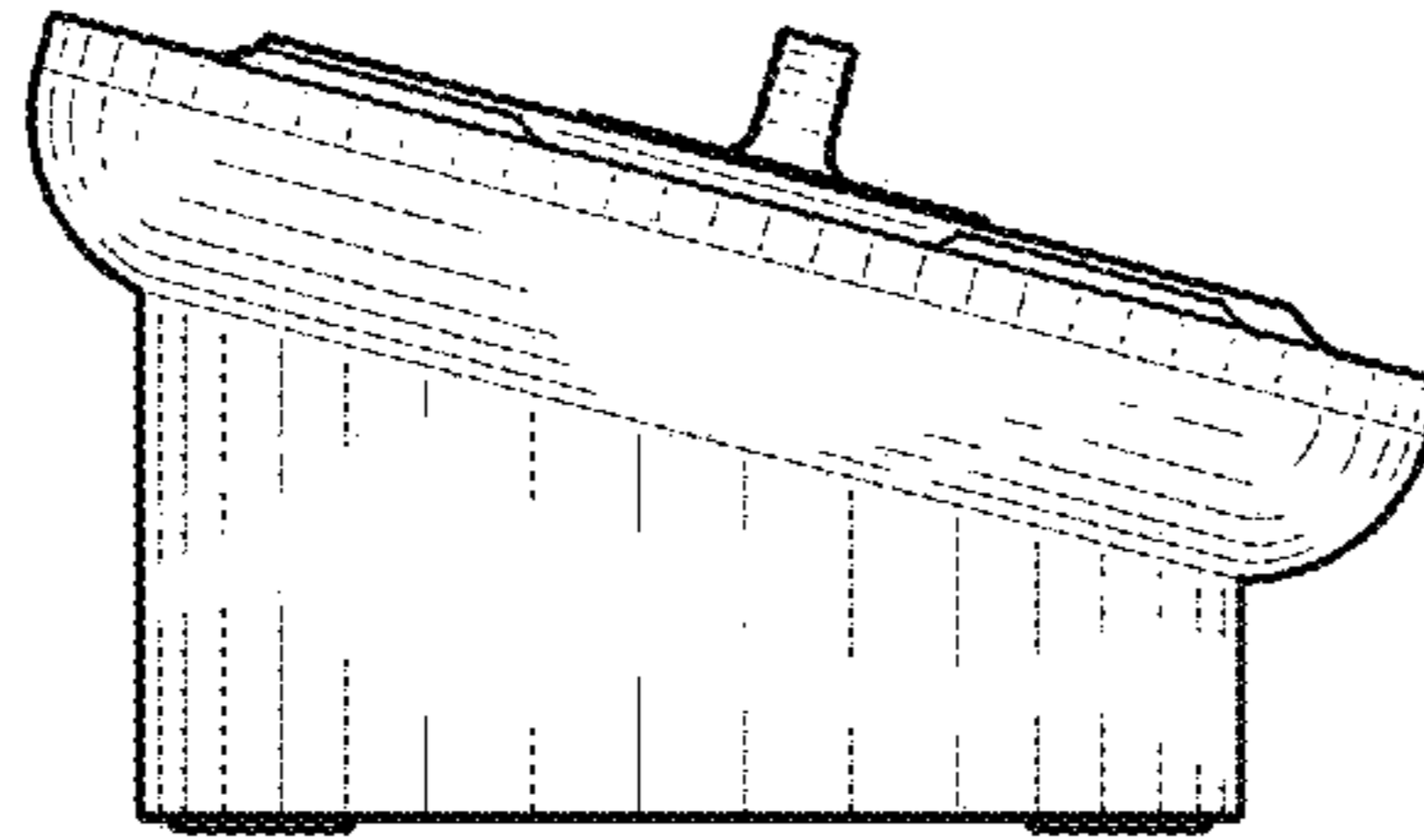


FIG. 4

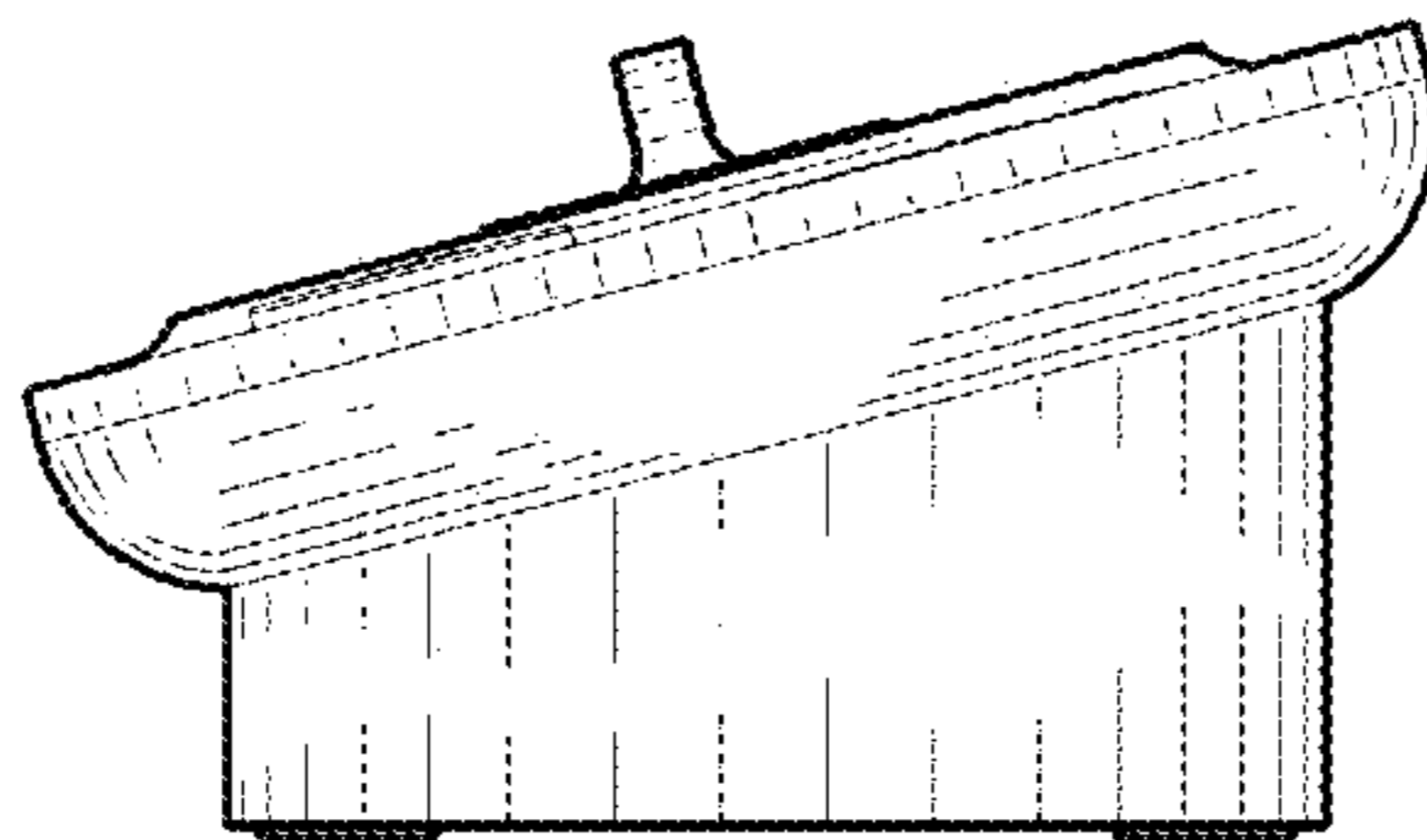


FIG. 5

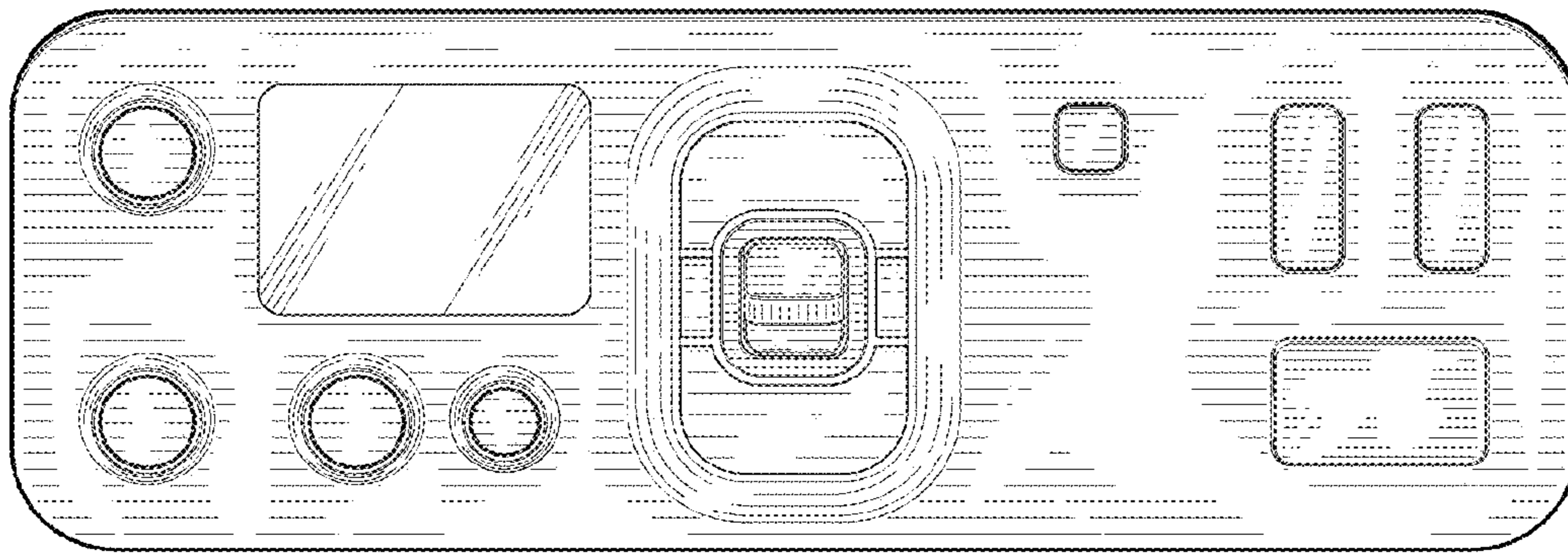


FIG. 6

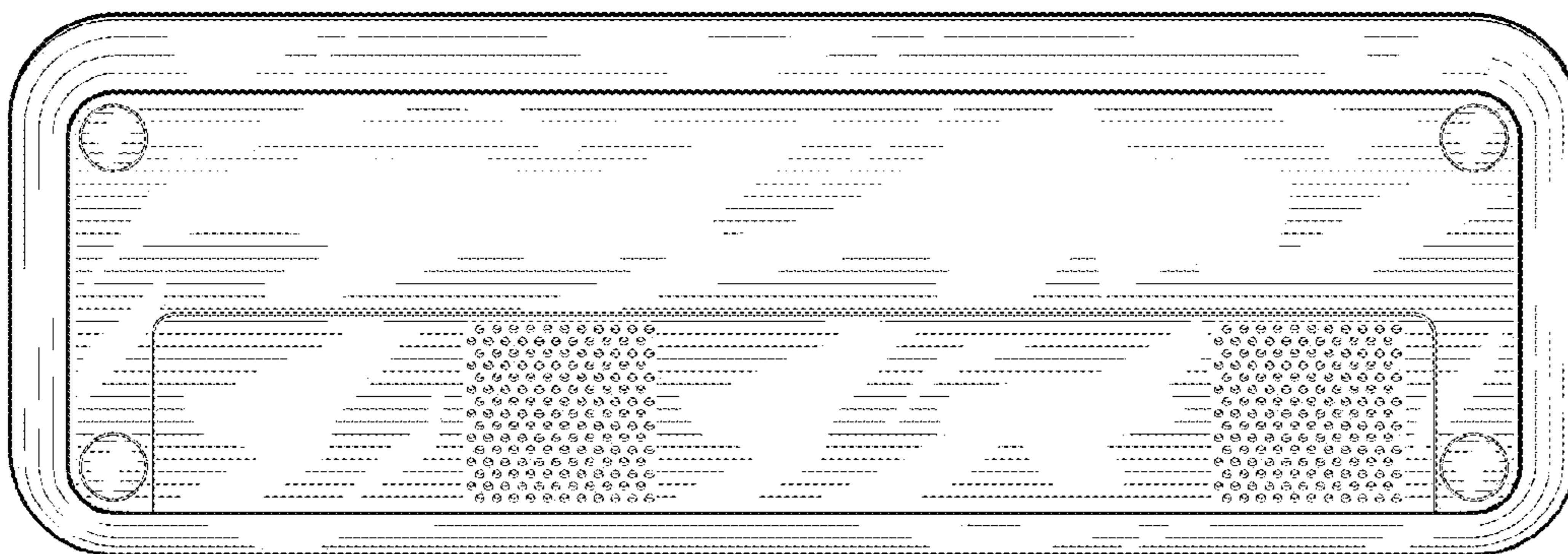


FIG. 7