



US00D727505S

(12) **United States Design Patent**
Choudhary et al.

(10) **Patent No.:** **US D727,505 S**
(45) **Date of Patent:** **** Apr. 21, 2015**

(54) **PORTABLE ULTRASOUND DEVICE**

(56) **References Cited**

(71) Applicant: **General Electric Company,**
Schenectady, NY (US)
(72) Inventors: **Manish Uddhaorao Choudhary,**
Bangalore (IN); **Thiyaga Rajan,**
Bangalore (IN)

U.S. PATENT DOCUMENTS

D454,954	S	*	3/2002	Cannon et al.	D24/160
D562,456	S	*	2/2008	Scruggs et al.	D24/160
D658,295	S	*	4/2012	Geijsen et al.	D24/158
D699,354	S	*	2/2014	Chung et al.	D24/158
D711,003	S	*	8/2014	Chen et al.	D24/186
2008/0249406	A1	*	10/2008	Naruse	600/437

* cited by examiner

(73) Assignee: **General Electric Company,**
Schenectady, NY (US)

Primary Examiner — Anhdao Doan
(74) *Attorney, Agent, or Firm* — GE Global Patent
Operation; Marc A. Vivenzio

(**) Term: **14 Years**

(57) **CLAIM**

The ornamental design for a portable ultrasound device, as shown and described.

(21) Appl. No.: **29/490,139**

DESCRIPTION

(22) Filed: **May 7, 2014**

FIG. 1 is a front and right perspective view of a portable ultrasound device according to an embodiment; FIG. 2 is a rear and left perspective view thereof; FIG. 3 is a rear and right perspective view thereof; FIG. 4 is a front and left perspective view thereof; FIG. 5 is a front view thereof; FIG. 6 is a left side view thereof; FIG. 7 is a right side view thereof; FIG. 8 is a rear view thereof; FIG. 9 is a top view thereof; and, FIG. 10 is a bottom view thereof.

(30) **Foreign Application Priority Data**

Nov. 7, 2013 (IN) 258017

The broken lines in the drawing views are directed to environmental subject matters and form no part of the claimed design.

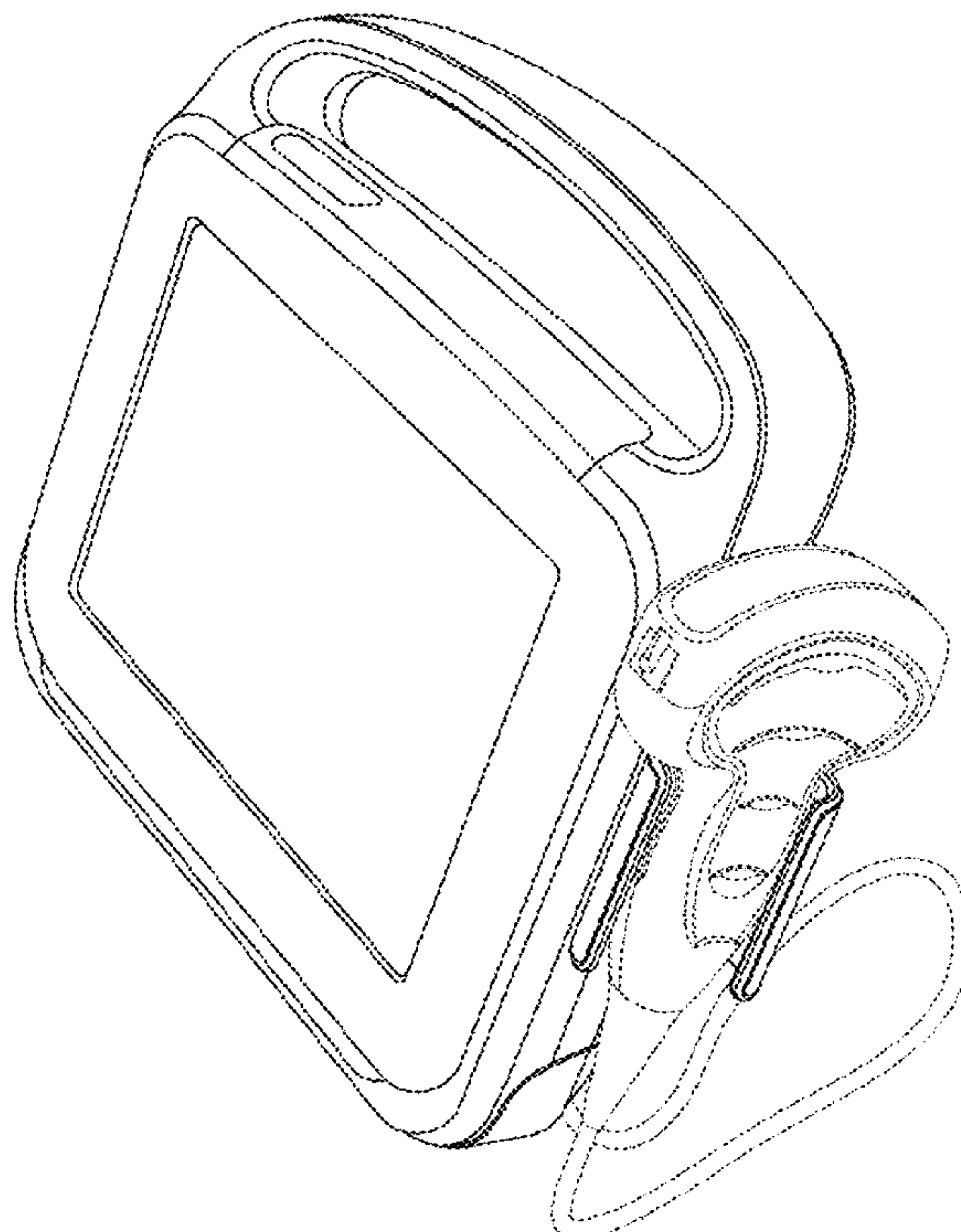
(51) **LOC (10) Cl.** **24-01**

(52) **U.S. Cl.**
USPC **D24/158; D24/160**

(58) **Field of Classification Search**
USPC D24/158-161, 185, 186; 606/32-34;
600/437, 443; 248/282.1

See application file for complete search history.

1 Claim, 10 Drawing Sheets



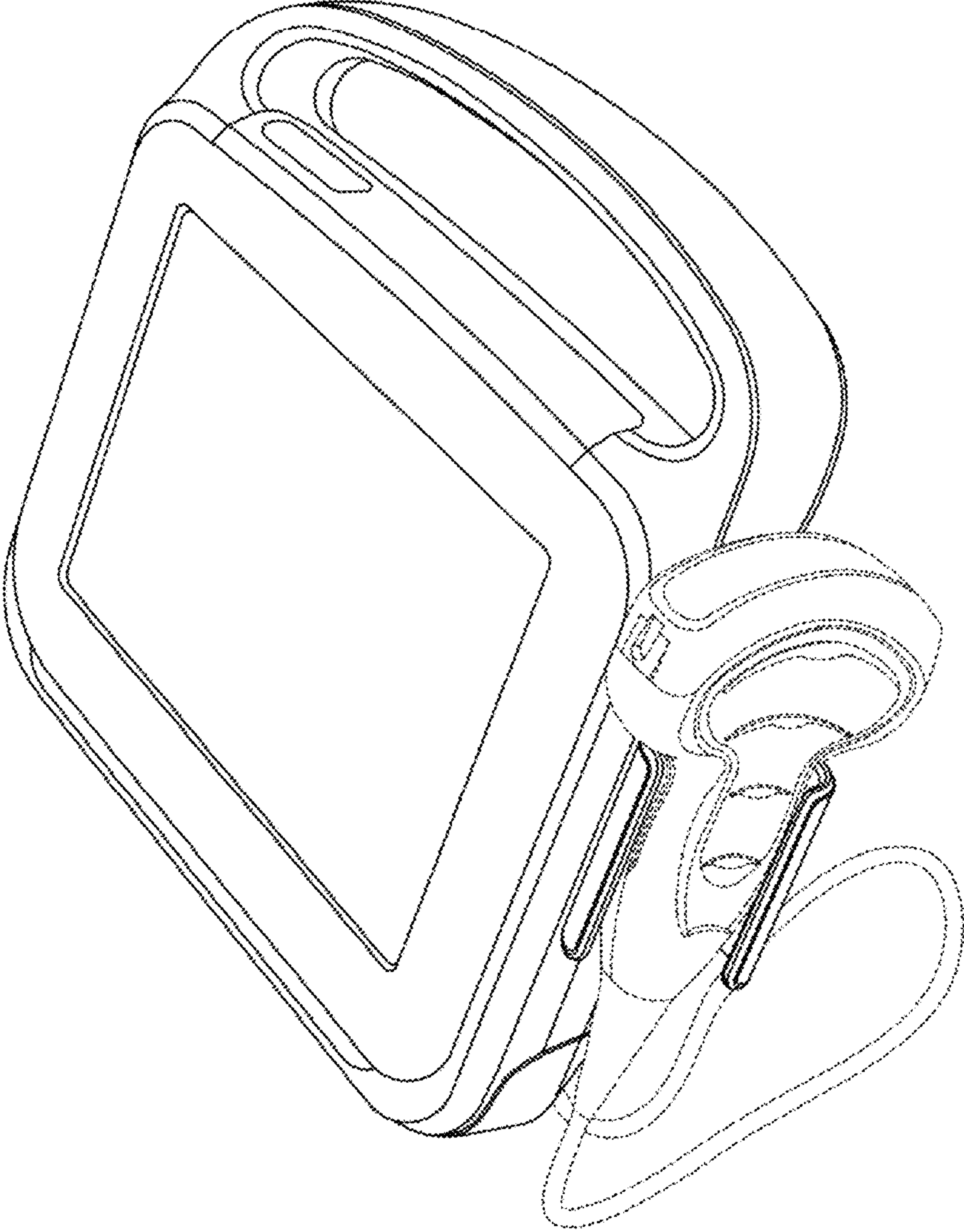


FIG. 1

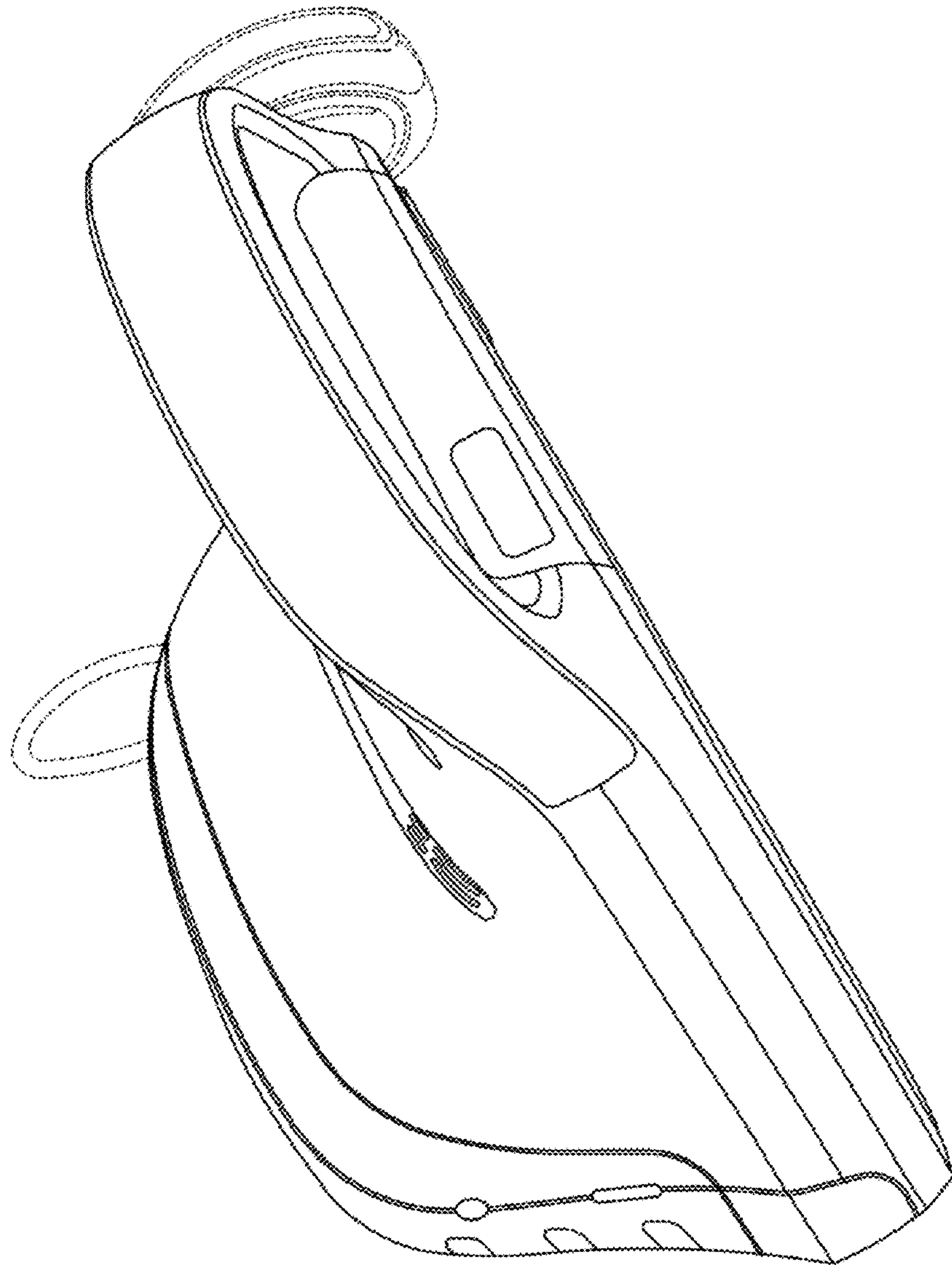


FIG. 2

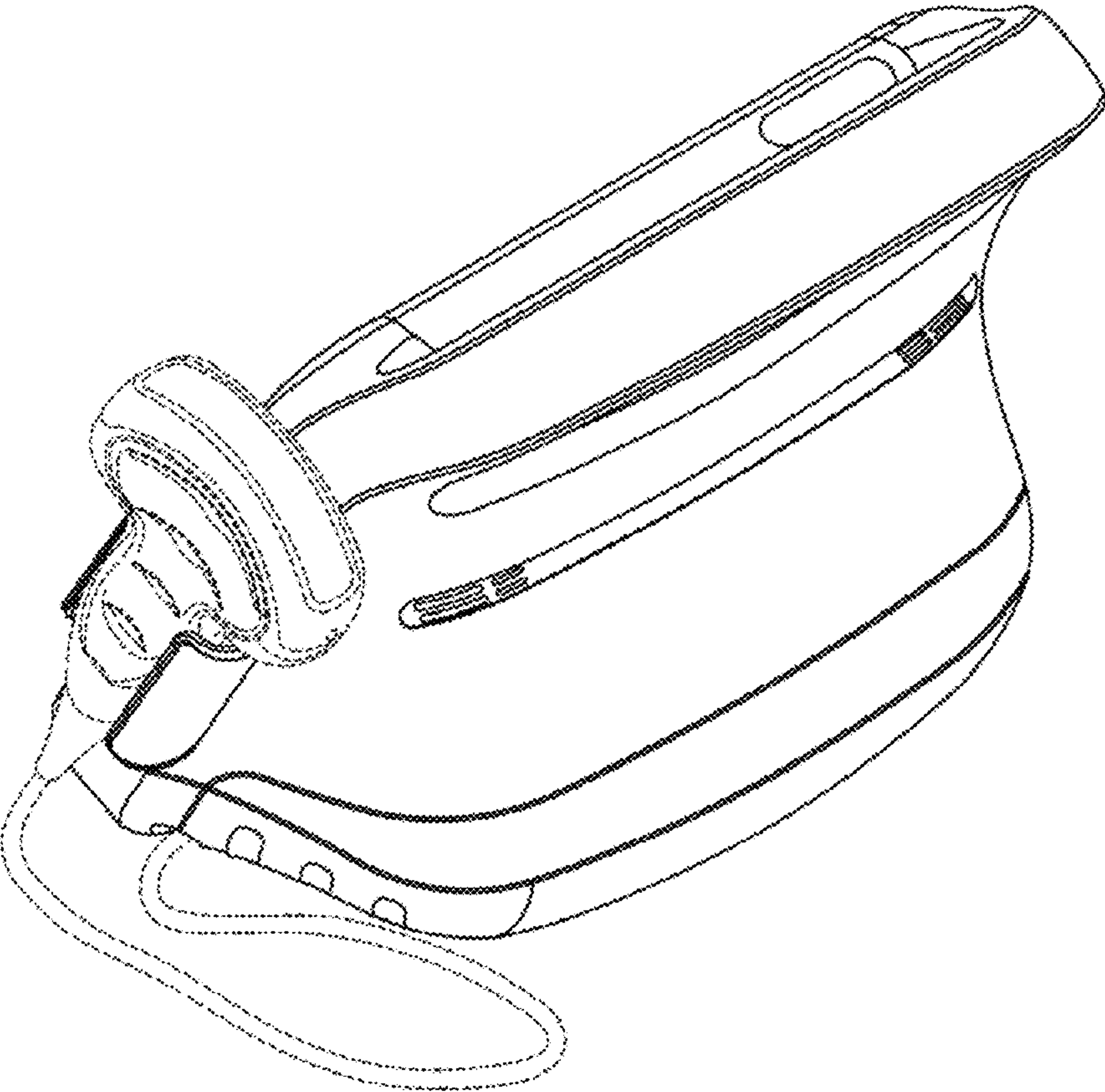


FIG. 3

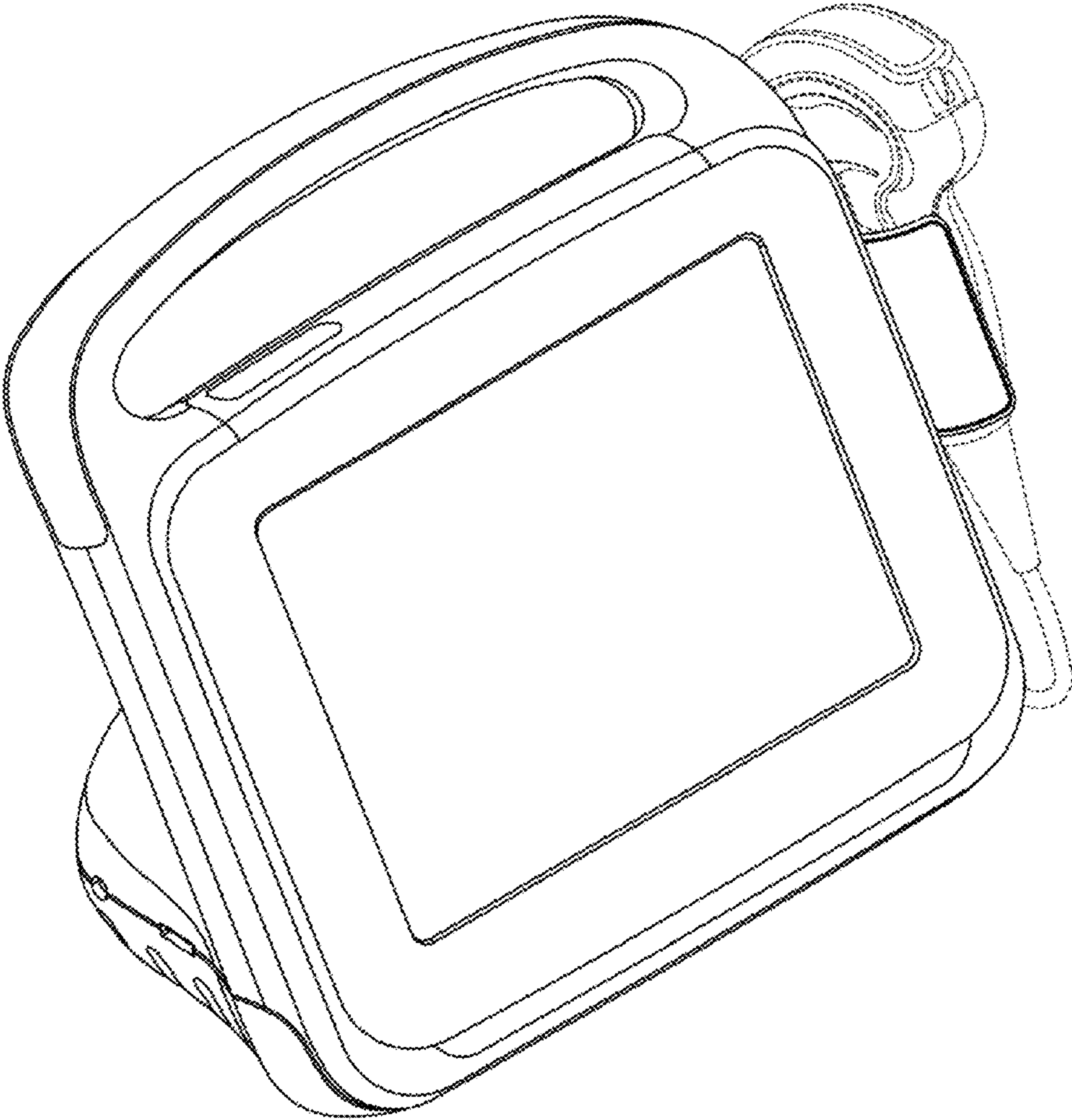


FIG. 4

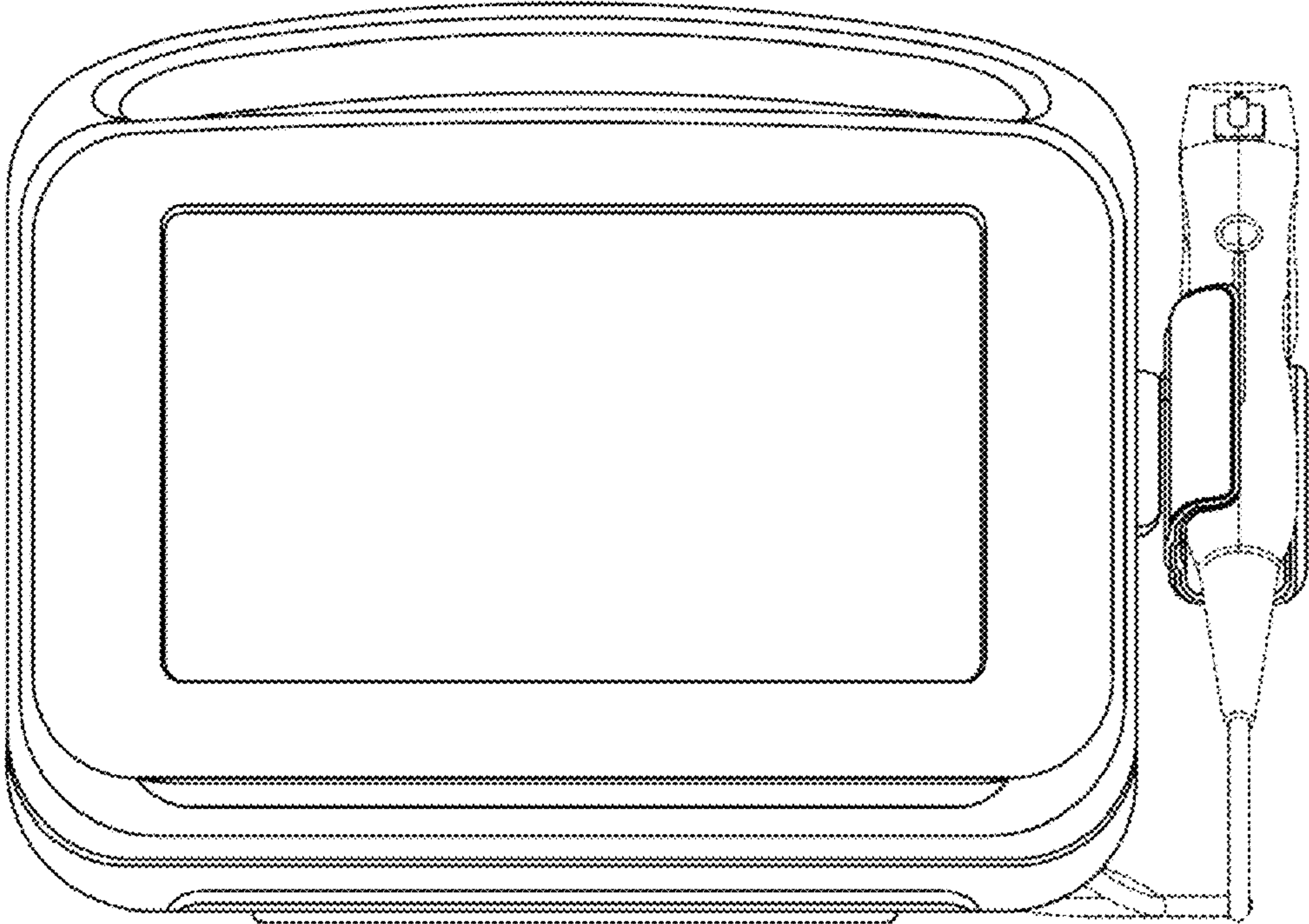


FIG. 5

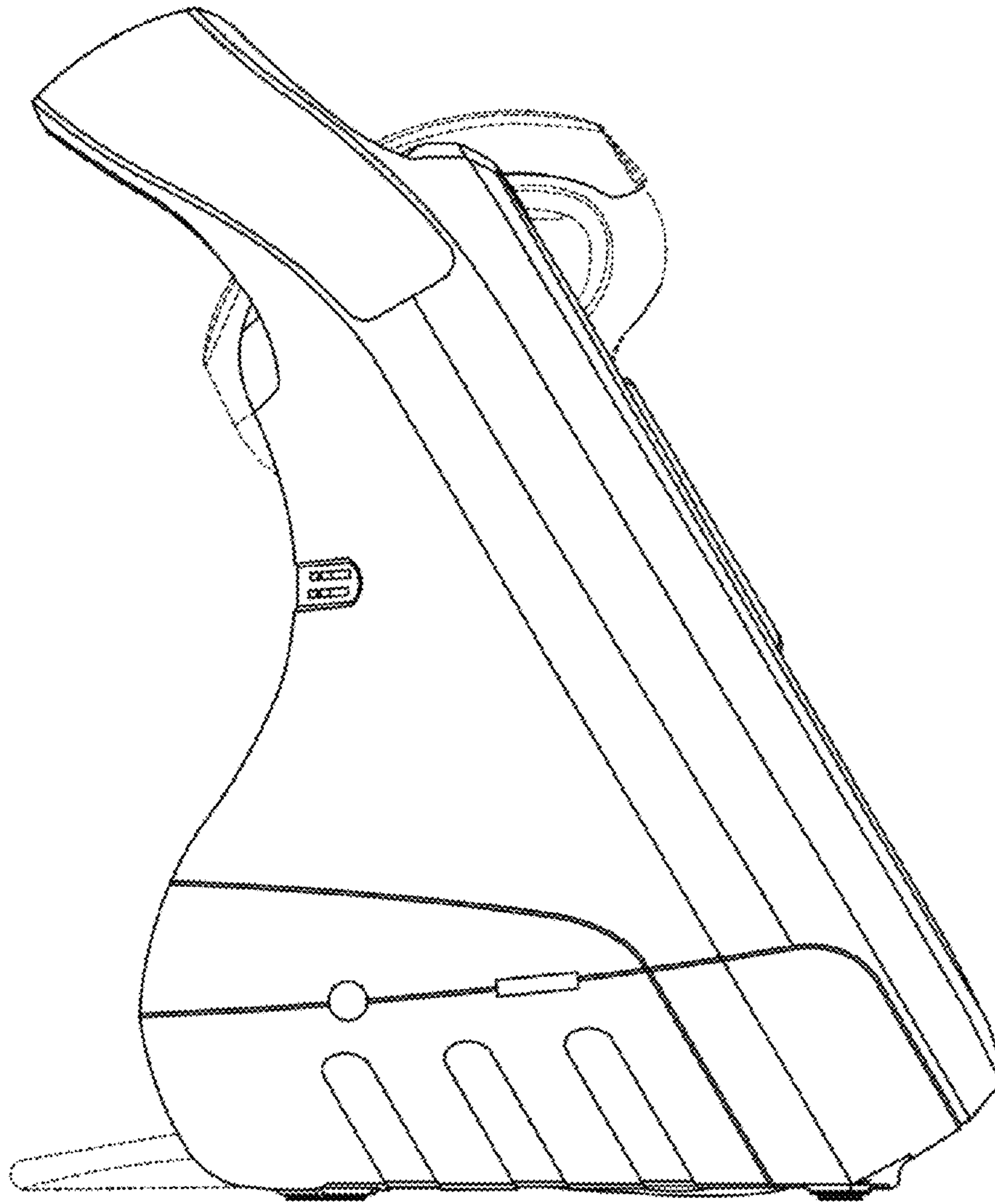


FIG. 6

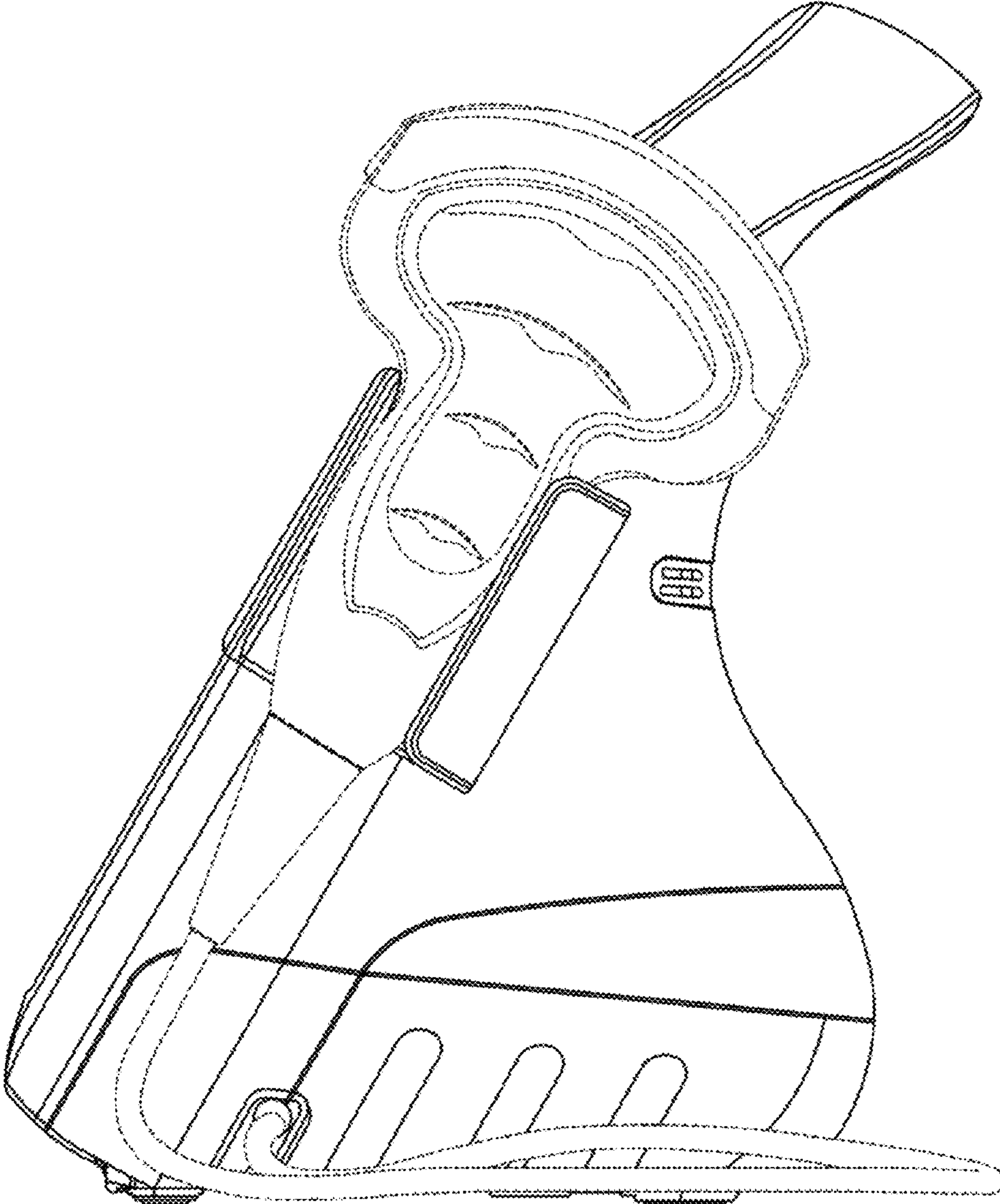


FIG. 7

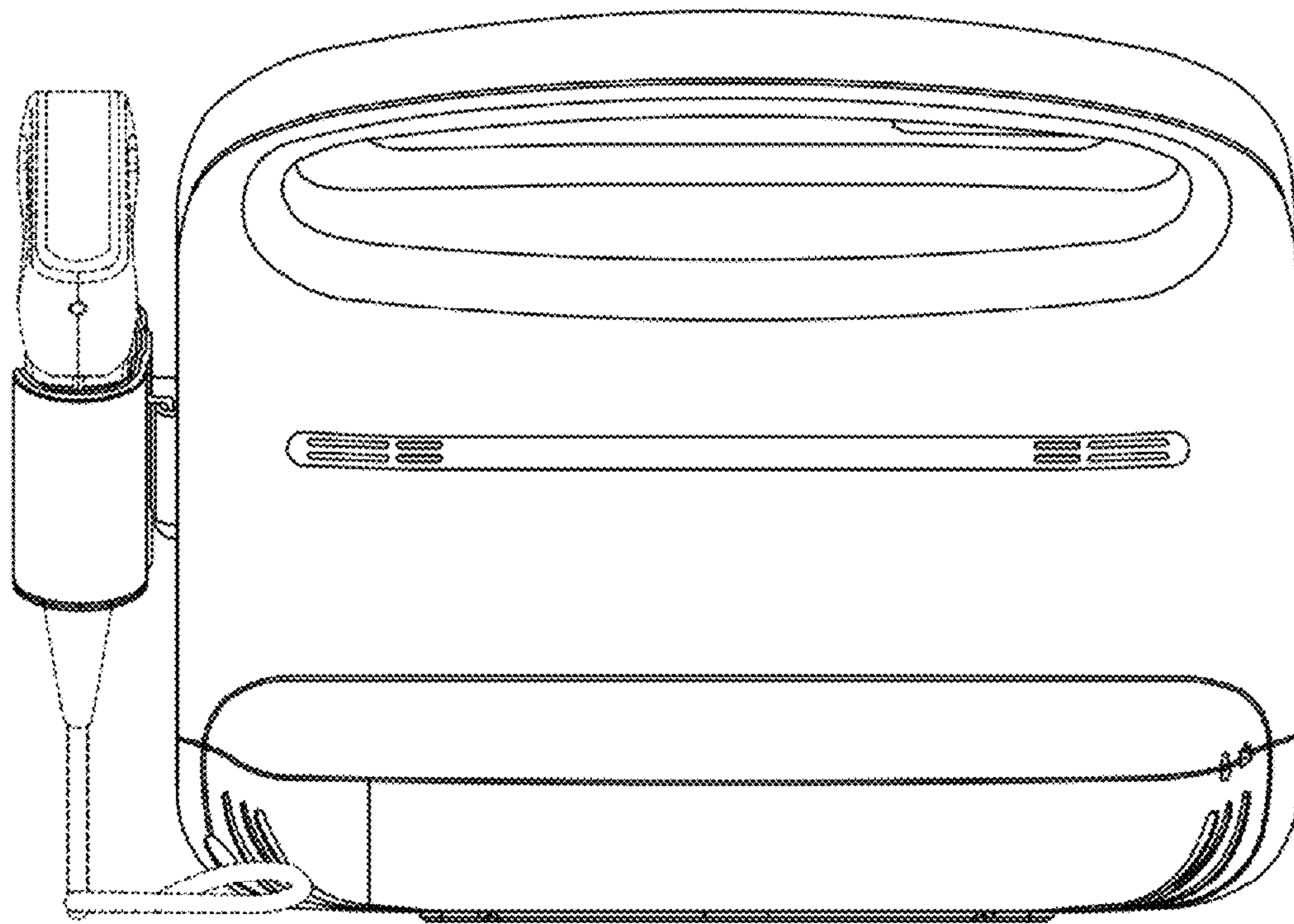


FIG. 8

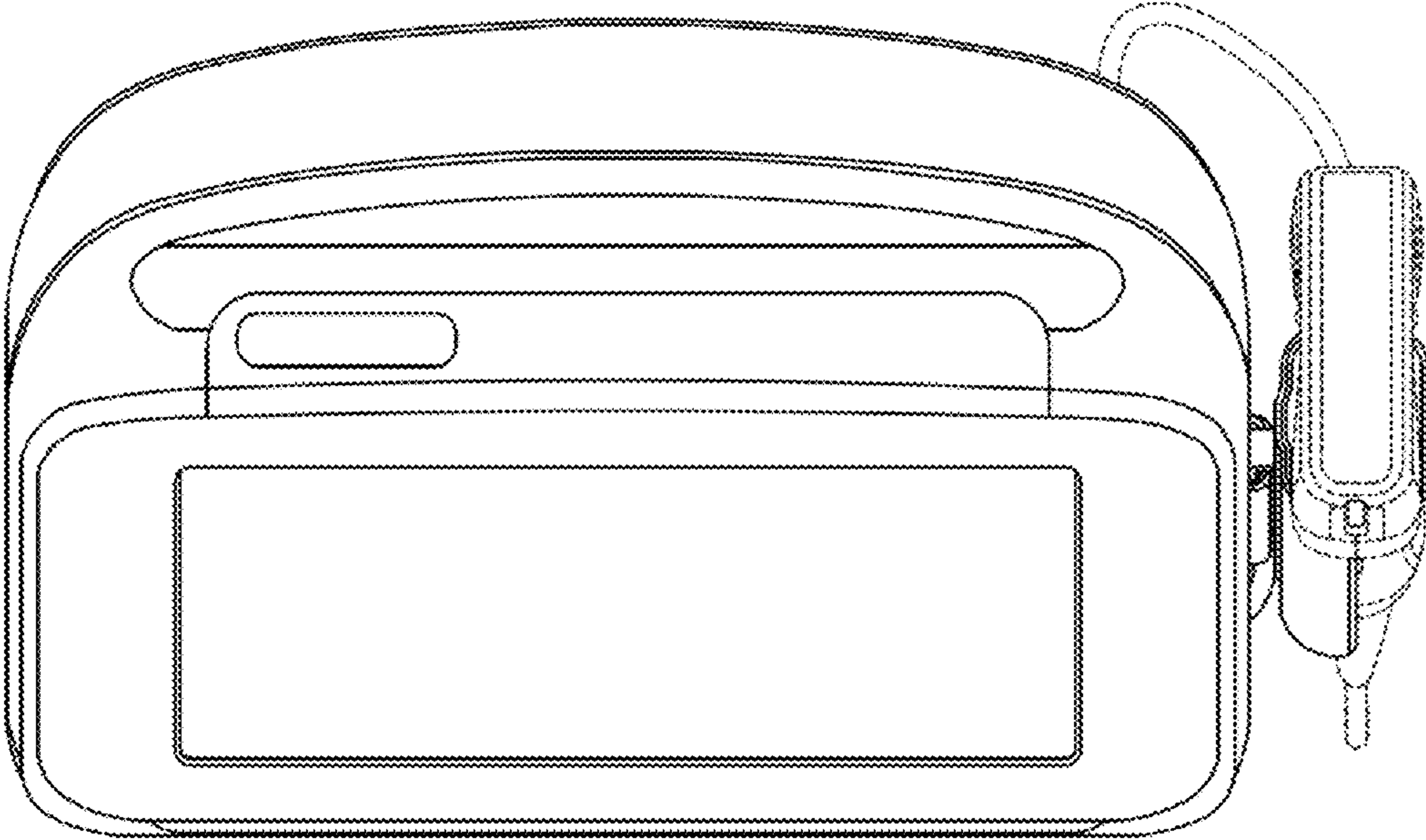


FIG. 9

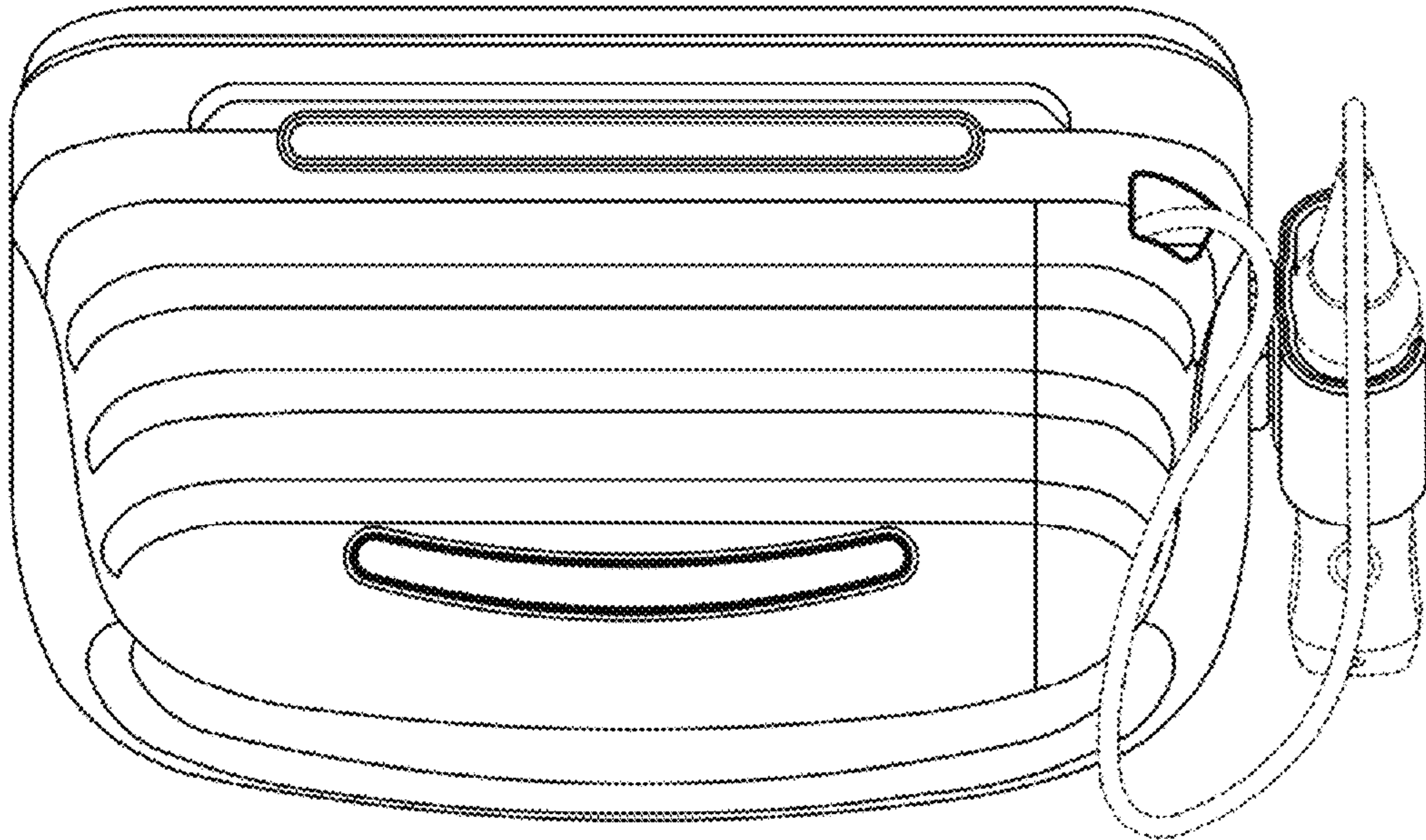


FIG. 10