



US00D727503S

(12) **United States Design Patent**  
**Kim**

(10) **Patent No.:** **US D727,503 S**

(45) **Date of Patent:** **\*\* Apr. 21, 2015**

(54) **COMPUTER TOMOGRAPHY APPARATUS**

(56) **References Cited**

(71) Applicant: **Samsung Electronics Co., Ltd.**,  
Suwon-Si, Gyeonggi-Do (KR)

(72) Inventor: **Yun-Su Kim**, Seoul (KR)

(73) Assignee: **Samsung Electronics Co., Ltd.**,  
Gyeonggi-do (KR)

(\*\*) Term: **14 Years**

(21) Appl. No.: **29/482,742**

(22) Filed: **Feb. 21, 2014**

(30) **Foreign Application Priority Data**

Aug. 28, 2013 (KR) ..... 30-2013-0044200

(51) **LOC (10) Cl.** ..... **24-01**

(52) **U.S. Cl.**  
USPC ..... **D24/158**

(58) **Field of Classification Search**  
USPC ..... D24/158-161, 185, 186; 378/4, 15, 17,  
378/21, 23-27, 62, 68, 196-198; 600/407,  
600/409, 410, 415, 421, 422, 425;  
D13/162, 164, 171; D14/388, 443;  
D8/353

See application file for complete search history.

U.S. PATENT DOCUMENTS

D566,843 S *	4/2008	Ogiwara .....	D24/158
D590,504 S *	4/2009	Ogiwara .....	D24/158
D625,416 S *	10/2010	Kasai et al. ....	D24/158
D649,250 S *	11/2011	Ishihara et al. ....	D24/158
D662,094 S *	6/2012	Mack et al. ....	D14/388
D683,023 S *	5/2013	Andersson et al. ....	D24/158
D715,943 S *	10/2014	Zhang et al. ....	D24/159
D716,948 S *	11/2014	Yokoyama et al. ....	D24/158

\* cited by examiner

*Primary Examiner* — Anhdao Doan

(74) *Attorney, Agent, or Firm* — Harness, Dickey & Dickey

(57) **CLAIM**

I claim, the ornamental design for a computer tomography apparatus, as shown and described.

**DESCRIPTION**

FIG. 1 is the front perspective view of a computer tomography apparatus showing my new design; FIG. 2 is a front elevation view thereof; FIG. 3 is a rear elevation view thereof; FIG. 4 is a side elevation view thereof; FIG. 5 is another side elevation view thereof; FIG. 6 is a top plan view thereof; FIG. 7 is a bottom plan view thereof; and, FIG. 8 is a partially enlarged view of FIG. 1 that is included to more clearly depict the part A of FIG. 1. The broken lines illustrating portions of the computer tomography apparatus are for environmental purposes only and form no part of the claimed design.

**1 Claim, 8 Drawing Sheets**

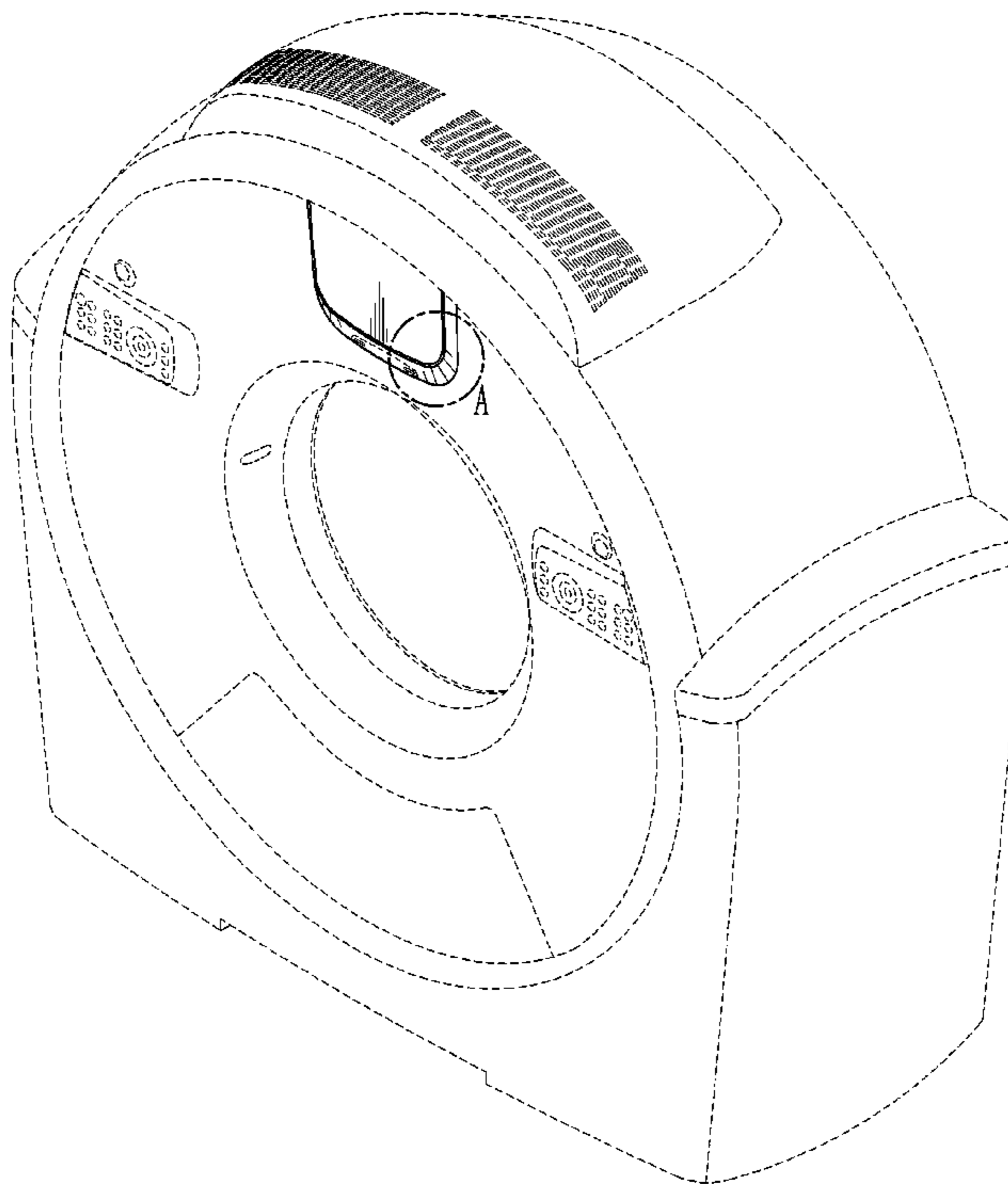


FIG. 1

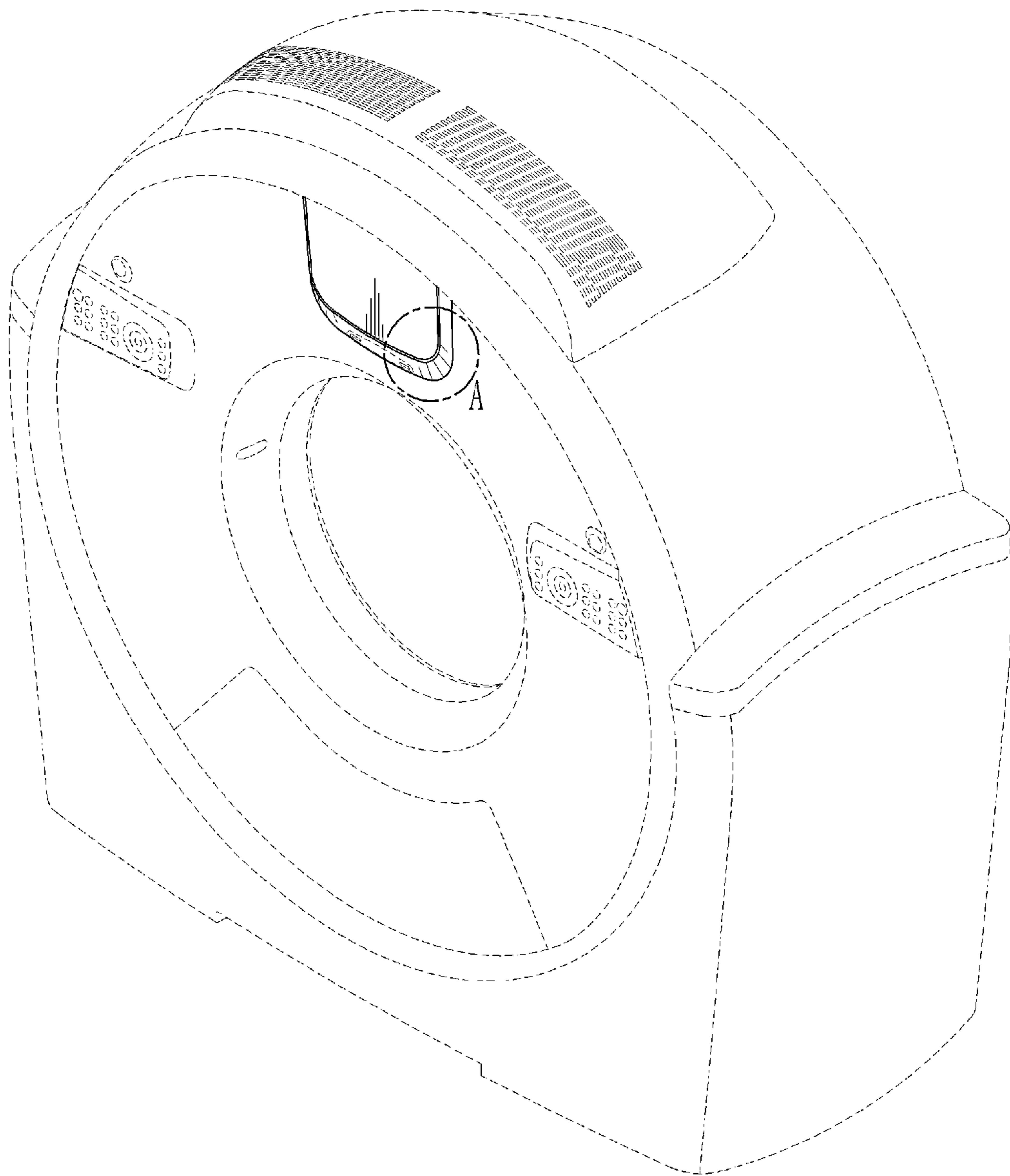
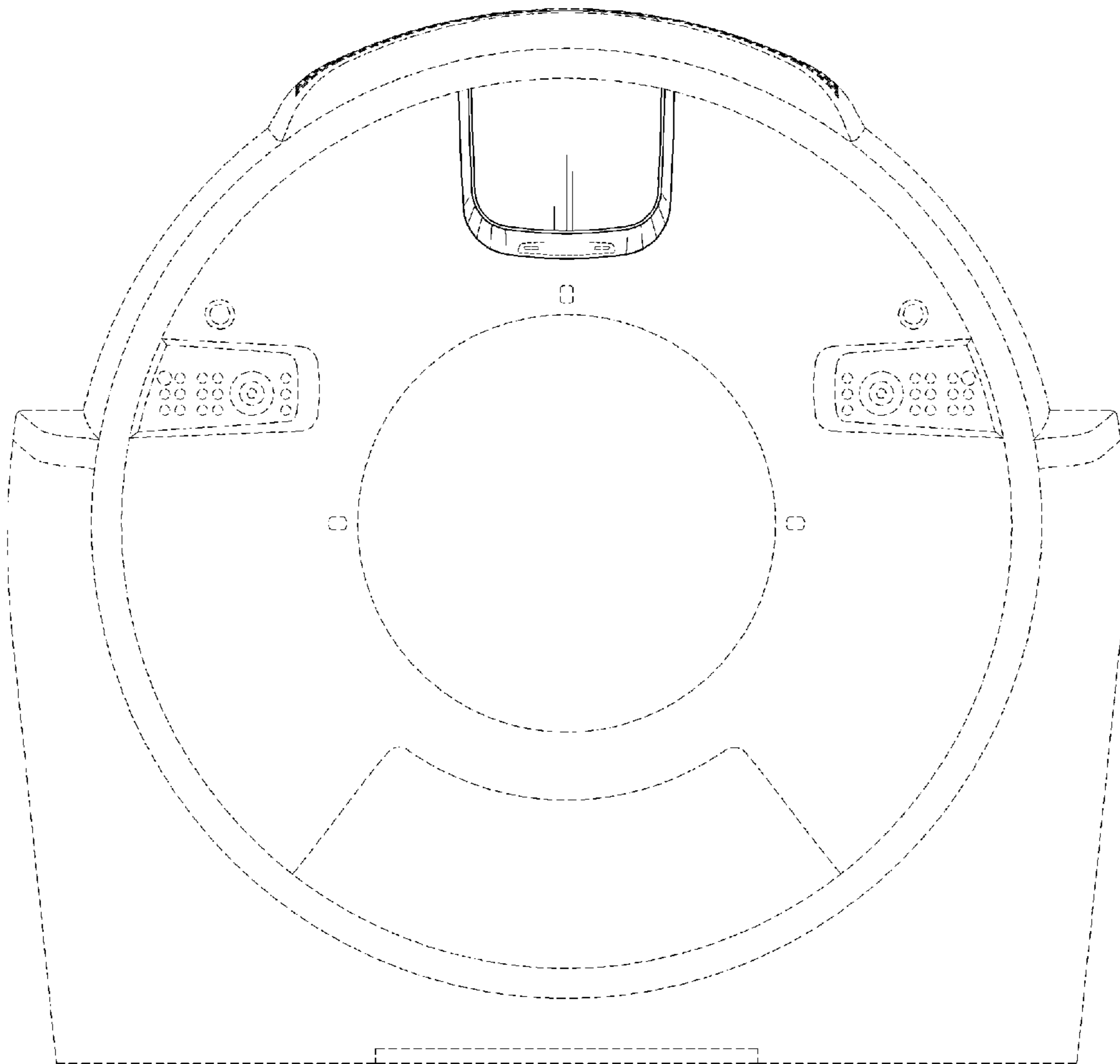
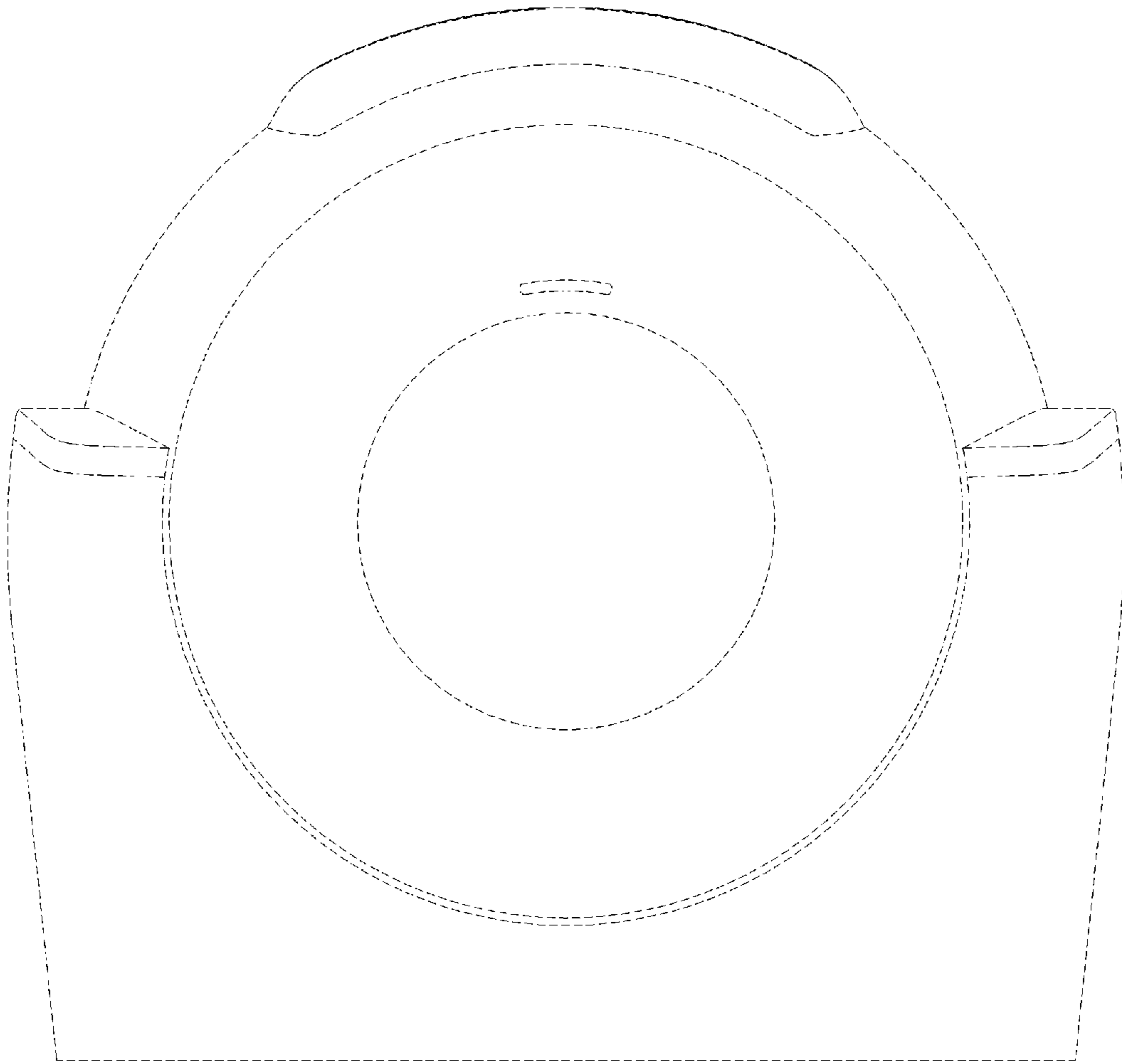


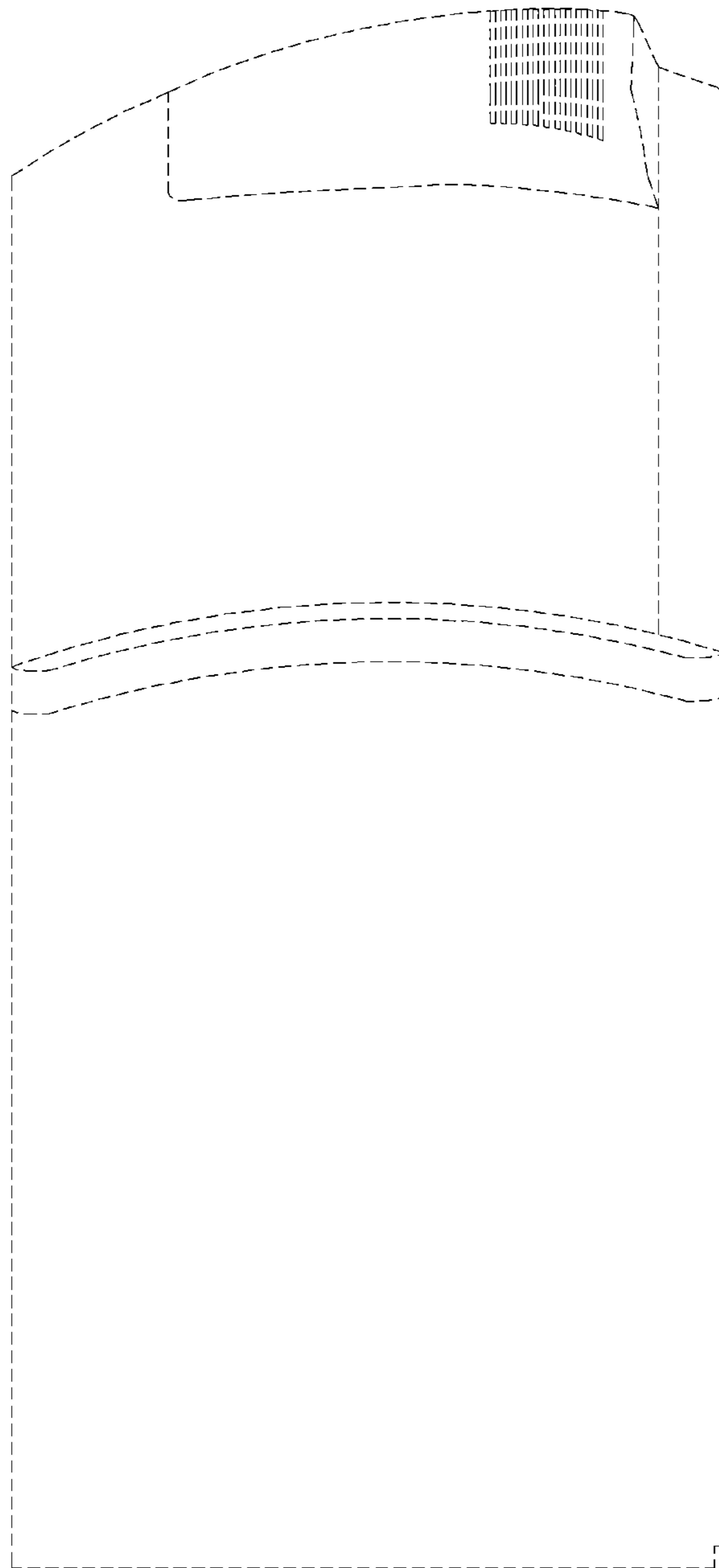
FIG. 2



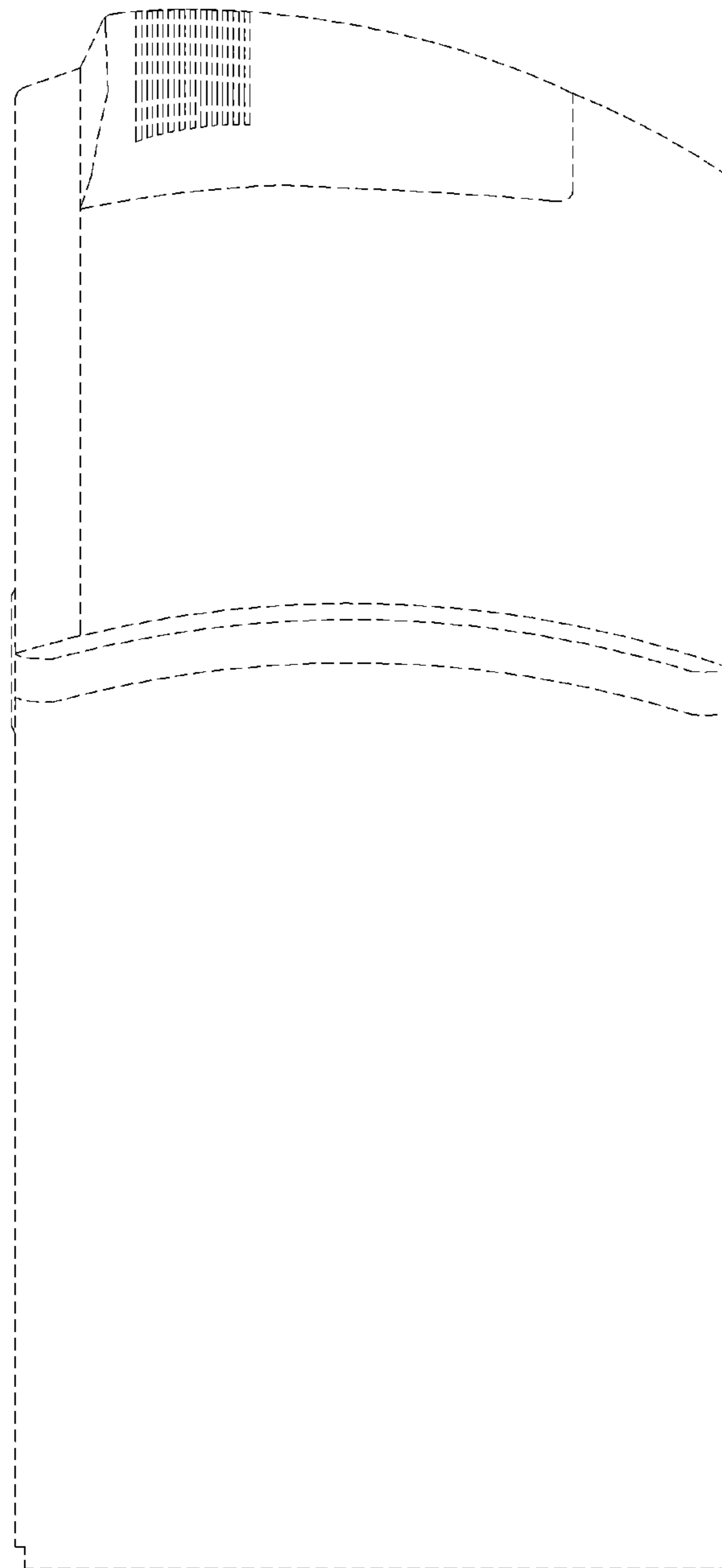
**FIG. 3**



**FIG. 4**



**FIG. 5**



**FIG. 6**



**FIG. 7**

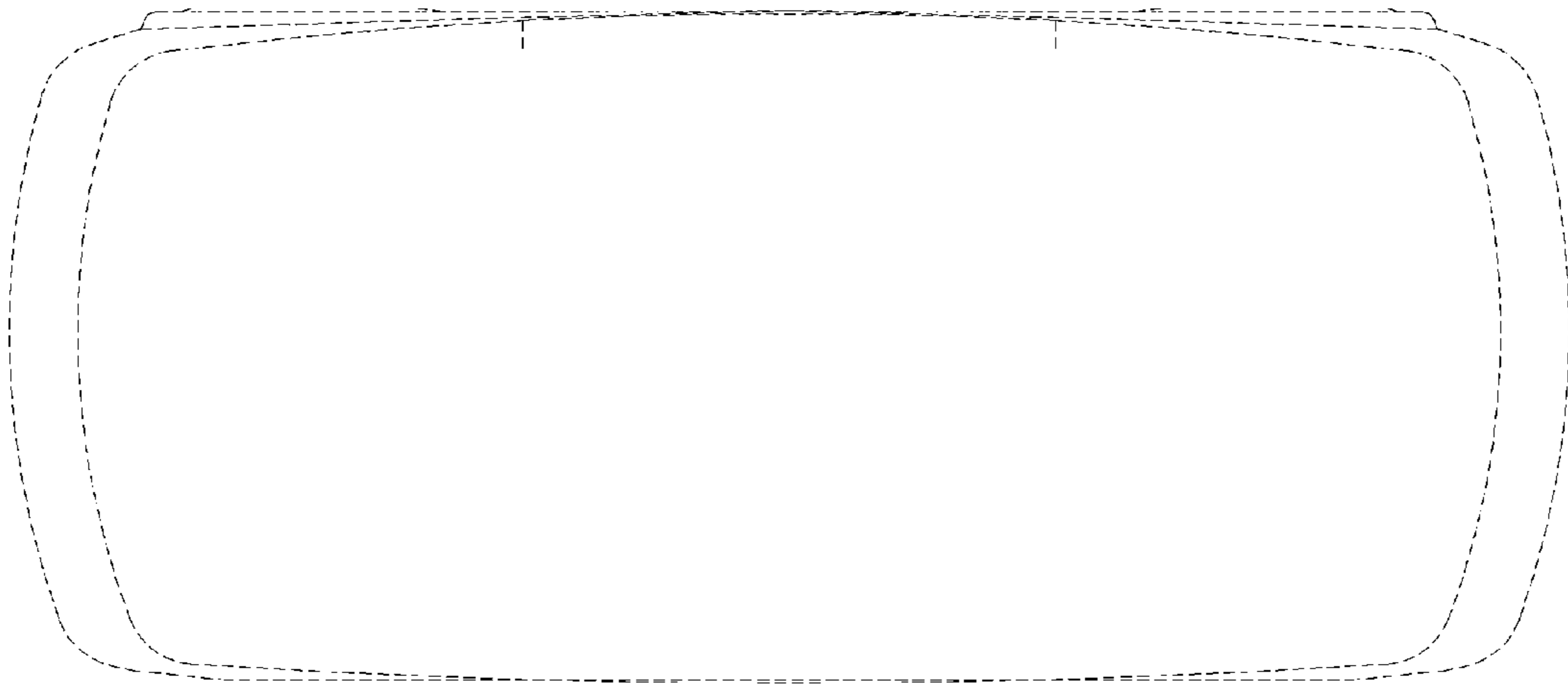




FIG. 8

