



US00D727502S

(12) **United States Design Patent**
Sul

(10) **Patent No.:** **US D727,502 S**
(45) **Date of Patent:** **** Apr. 21, 2015**

(54) **WIRELESS DETECTOR FOR X-RAY DEVICE**

(71) Applicant: **Samsung Electronics Co., Ltd.**,
Suwon-si, Gyeonggi-do (KR)

(72) Inventor: **Sung-Woo Sul**, Yongin (KR)

(73) Assignee: **Samsung Electronics Co., Ltd.** (KR)

(**) Term: **14 Years**

(21) Appl. No.: **29/473,625**

(22) Filed: **Nov. 25, 2013**

(51) **LOC (10) Cl.** **24-01**

(52) **U.S. Cl.**
USPC **D24/158**

(58) **Field of Classification Search**
USPC D24/158-161, 186; 378/169, 171, 172;
250/370.09, 484.04, 582; D14/481,
D14/482, 435; D16/250
See application file for complete search history.

(56) **References Cited**

U.S. PATENT DOCUMENTS

4,249,818 A * 2/1981 Buldini 396/598
D271,777 S * 12/1983 Schlagheck et al. D14/481
5,070,248 A * 12/1991 Pesce 250/483.1
5,912,944 A * 6/1999 Budinski et al. 378/182

D450,385 S * 11/2001 Salazar et al. D24/158
D450,848 S * 11/2001 Hayashi D24/158
D477,080 S * 7/2003 Takahashi D24/161
D477,081 S * 7/2003 Takahashi D24/161
7,242,011 B2 * 7/2007 Nakajo 250/484.4
7,331,710 B2 * 2/2008 Nakajo 378/188
D659,249 S * 5/2012 Ogura D24/161
2012/0217410 A1 * 8/2012 Amitani 250/370.09

* cited by examiner

Primary Examiner — Anhdao Doan

(74) *Attorney, Agent, or Firm* — Cantor Colburn LLP

(57) **CLAIM**

The ornamental design for a wireless detector for x-ray device, as shown and described.

DESCRIPTION

FIG. 1 is a top front perspective view of a wireless detector for x-ray device showing my new design;
FIG. 2 is a front view thereof;
FIG. 3 is a rear view thereof;
FIG. 4 is a left-side view thereof;
FIG. 5 is a right-side view thereof;
FIG. 6 is a top view thereof; and,
FIG. 7 is a bottom view thereof.

The broken lines in the drawing views are included for the purpose of illustrating portions of the wireless detector for x-ray device that form no part of the claimed design.

1 Claim, 4 Drawing Sheets

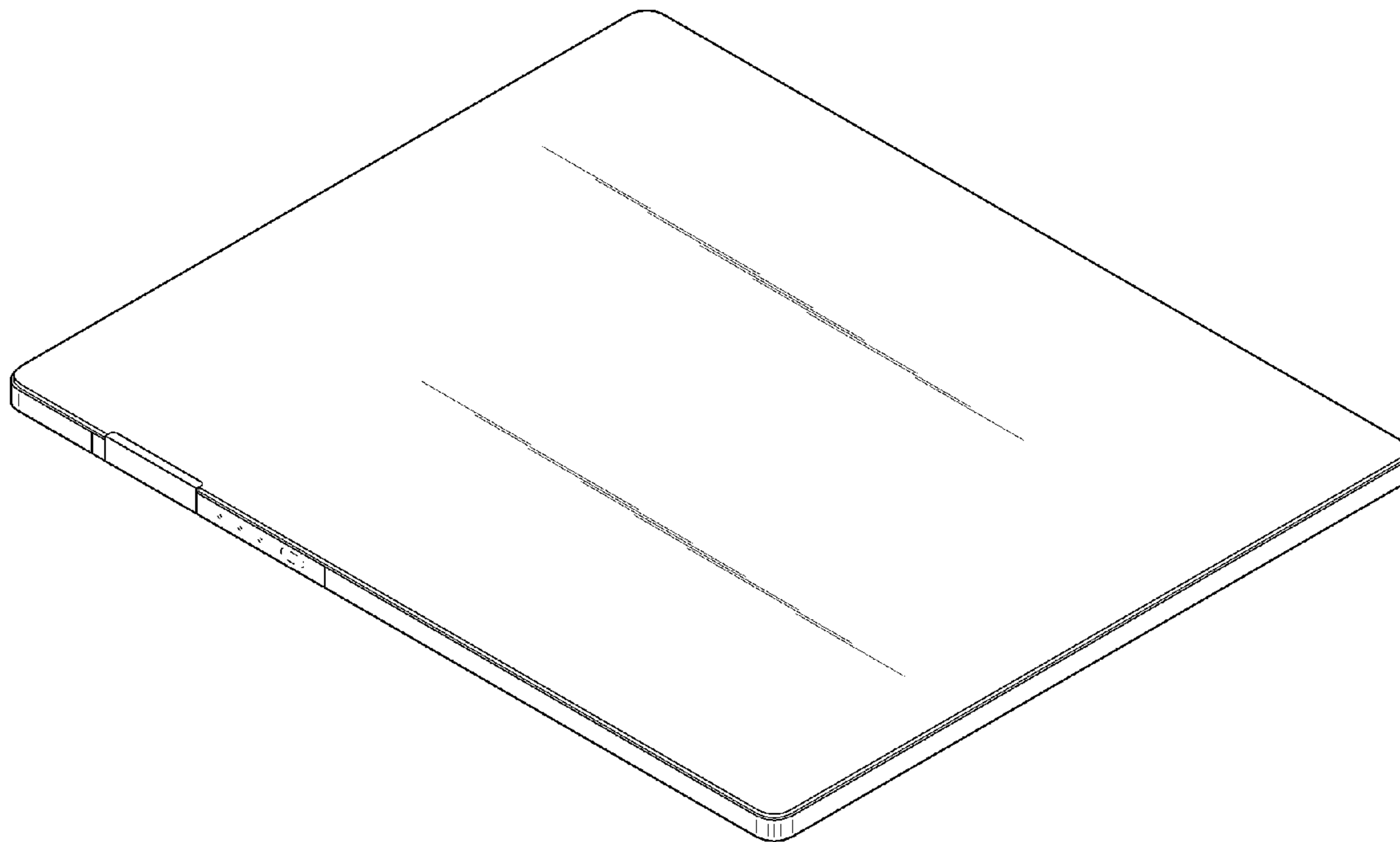


FIG.1

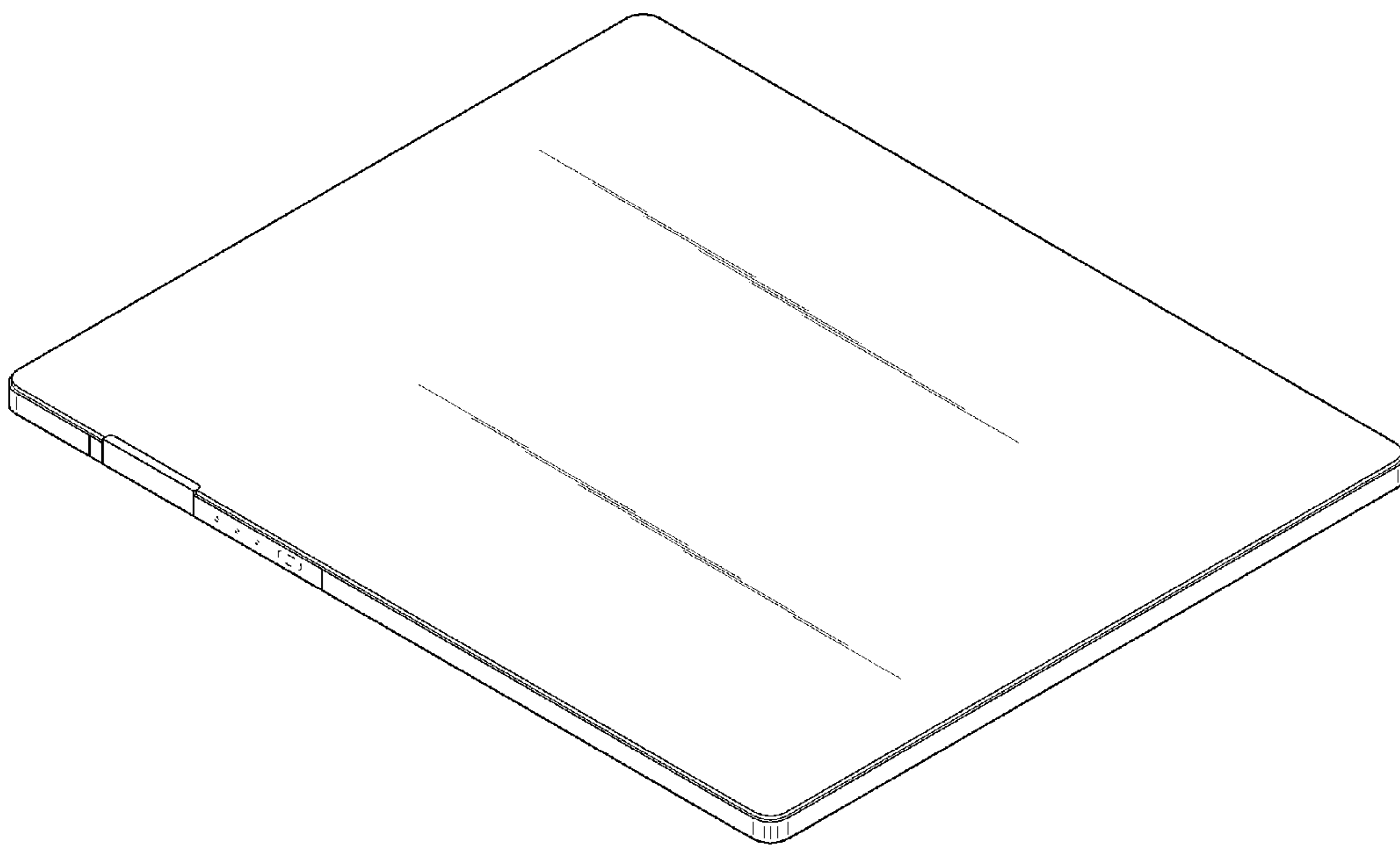


FIG.2

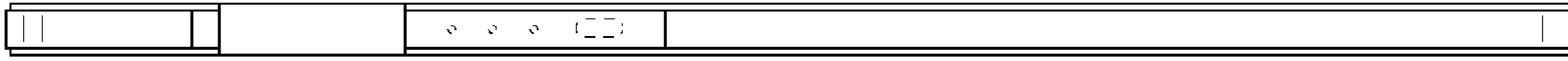


FIG.3

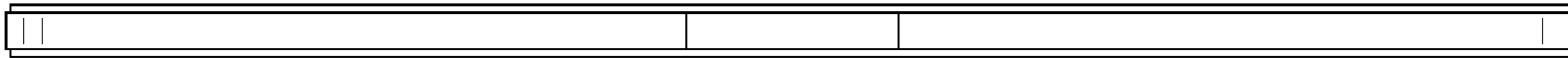


FIG.4

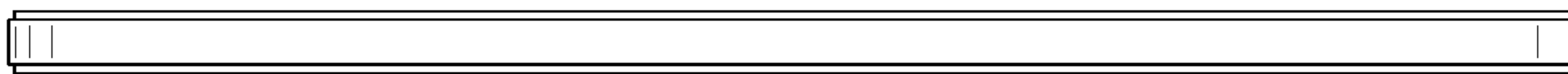


FIG.5

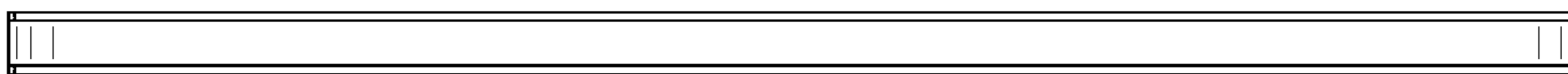


FIG.6

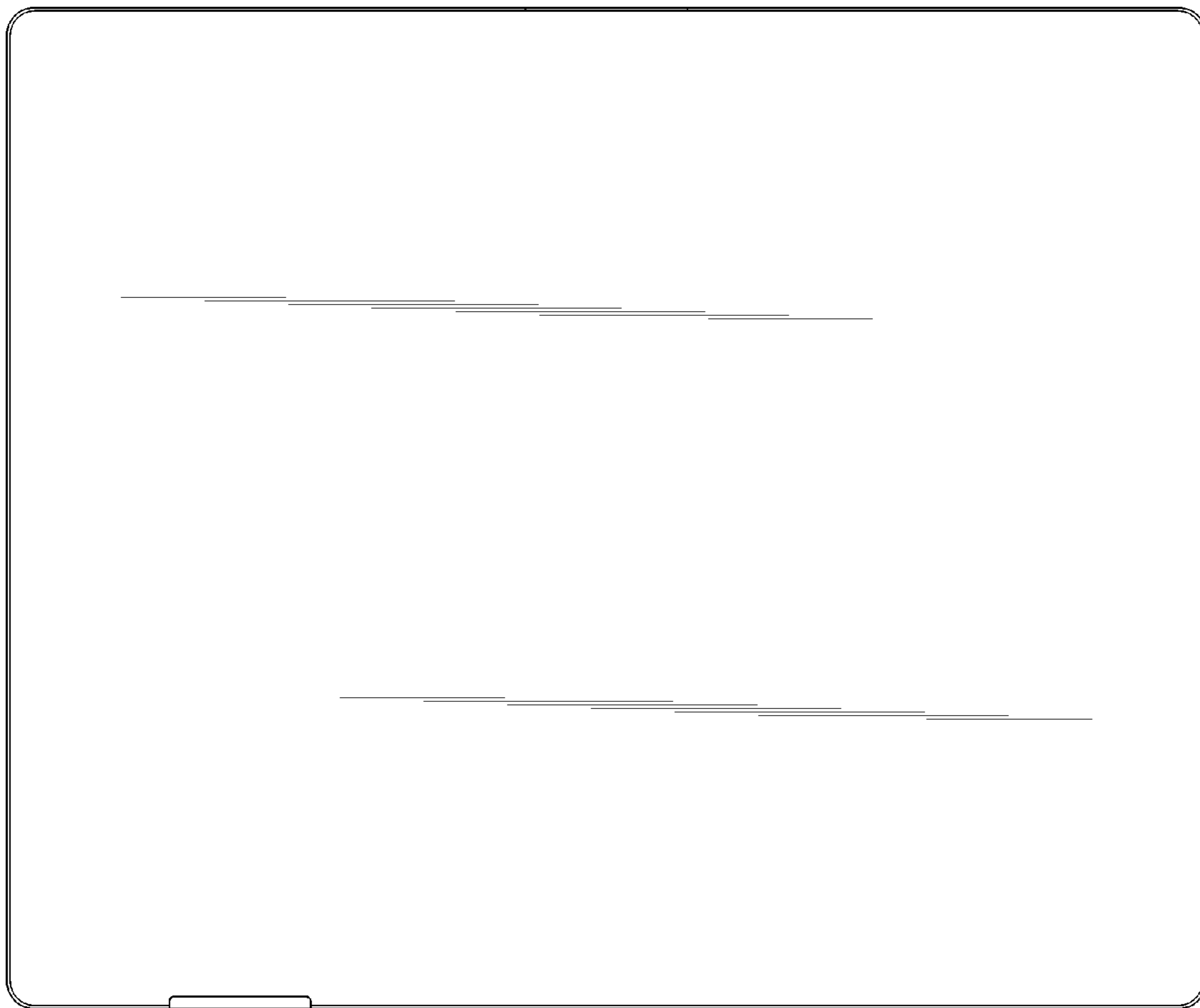


FIG.7

