



US00D727499S

(12) **United States Design Patent**
Schad et al.

(10) **Patent No.:** **US D727,499 S**
(45) **Date of Patent:** **** Apr. 21, 2015**

- (54) **TROCAR**
- (71) Applicant: **KARL STORZ GmbH & Co. KG**,
Tuttlingen (DE)
- (72) Inventors: **Kurt Schad**, Kolbingen (DE); **Michael Sauer**,
Tuttlingen (DE); **Sabine Zahler**,
Ebersberg (DE)
- (73) Assignee: **KARL STORZ GmbH & Co. KG**,
Tuttlingen (DE)
- (**) Term: **14 Years**
- (21) Appl. No.: **29/469,849**
- (22) Filed: **Oct. 15, 2013**

D587,369	S	*	2/2009	Hickok	D24/152
D588,697	S	*	3/2009	Hickok	D24/152
D590,945	S	*	4/2009	Berberich	D24/146
D600,806	S	*	9/2009	Horton et al.	D24/133
D606,193	S	*	12/2009	Oberlaender et al.	D24/146
D614,302	S	*	4/2010	Eisele	D24/146
D624,653	S	*	9/2010	Boillat	D24/146
D700,322	S	*	2/2014	Kleiner	D24/133
8,690,832	B2	*	4/2014	Racz	604/164.07
2008/0234713	A1	*	9/2008	Bernardini	606/170

* cited by examiner

Primary Examiner — Robert M Spear

Assistant Examiner — Marissa J Cash

(74) *Attorney, Agent, or Firm* — Muncy, Geissler, Olds & Lowe, P.C.

(30) **Foreign Application Priority Data**

Apr. 15, 2013 (EM) 002220467-0002

(51) **LOC (10) Cl.** **24-02**

(52) **U.S. Cl.**
USPC **D24/146**

(58) **Field of Classification Search**
CPC A61B 1/05; A61B 1/07; A61B 17/1671;
A61B 17/1617; A61B 5/1459
USPC D24/127, 133, 136.146–152, 172, 173,
D24/174, 176; 600/325, 110, 180; 606/79,
606/80

See application file for complete search history.

(56) **References Cited**

U.S. PATENT DOCUMENTS

D142,358	S	*	9/1945	Turkel	D24/147
7,229,406	B2	*	6/2007	Kehr et al.	600/172

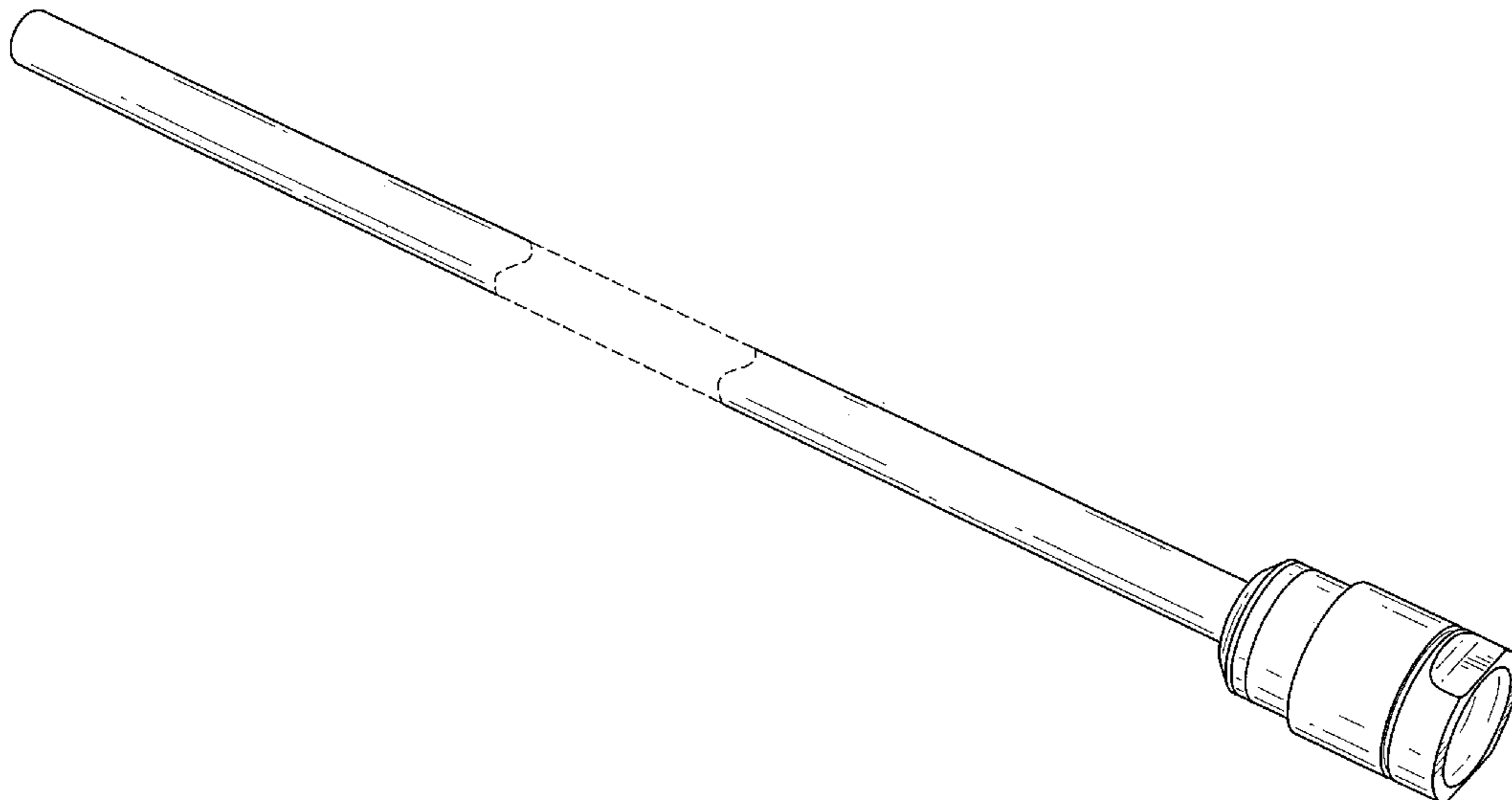
(57) **CLAIM**

The ornamental design for a trocar, as shown and described.

DESCRIPTION

FIG. 1 is a rear perspective view of a trocar according to the present invention.
 FIG. 2 is a top view of the trocar partially rotated of FIG. 1.
 FIG. 3 is a top view of the trocar of FIG. 1.
 FIG. 4 is a right side view of the trocar of FIG. 1.
 FIG. 5 is a left side view of the trocar of FIG. 1.
 FIG. 6 is a rear elevational view of the trocar of FIG. 1; and,
 FIG. 7 is a front perspective view of the trocar of FIG. 1.
 The dashed lines illustrate environment that does not form a part of the present invention, and no claim is made to the material illustrated with dashed lines.

1 Claim, 5 Drawing Sheets



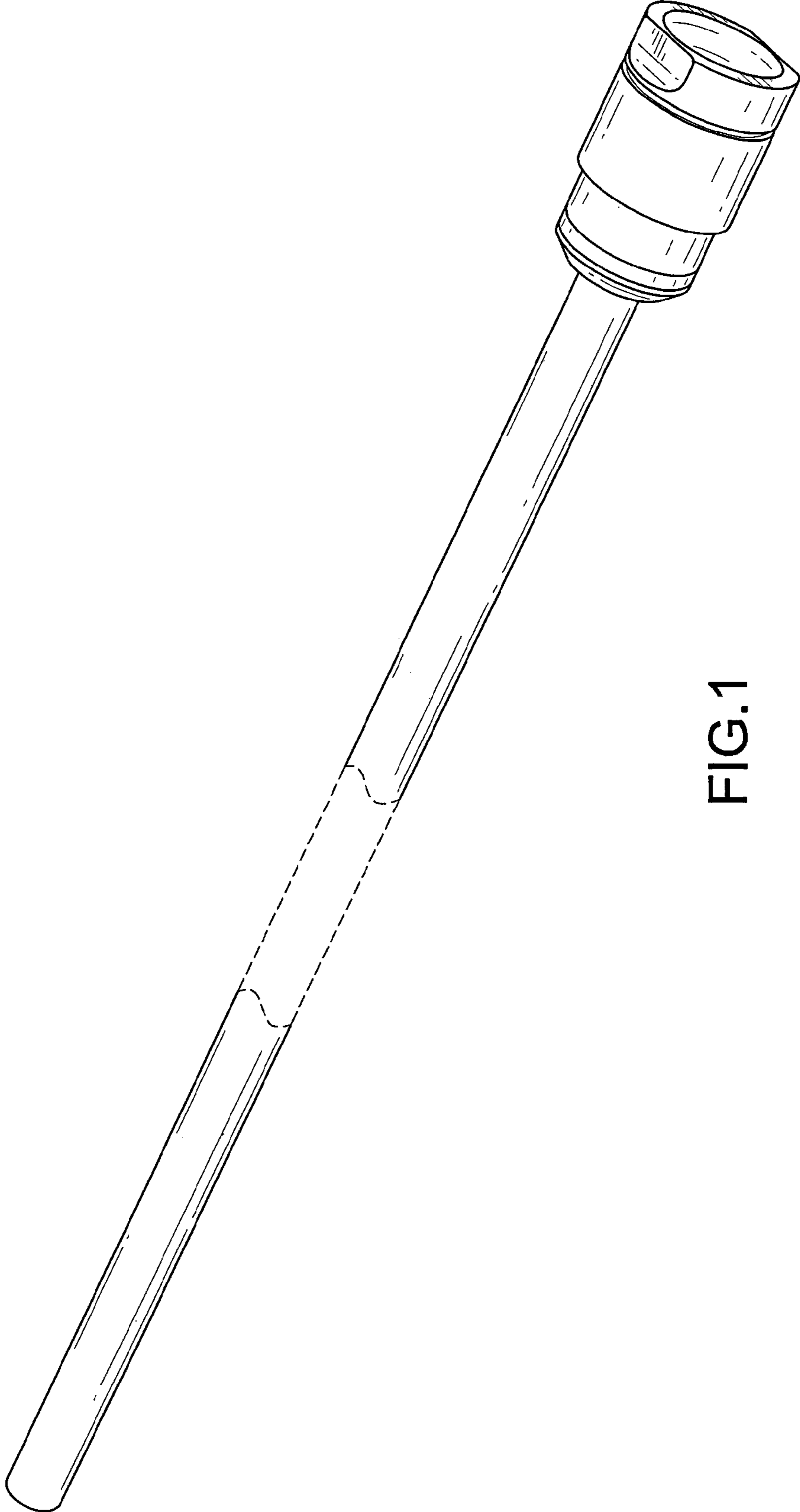


FIG.1

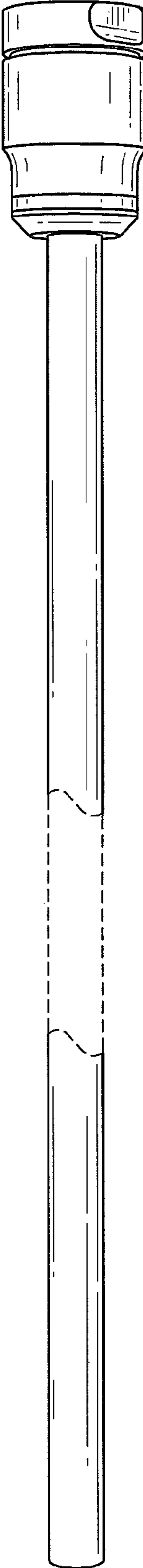


FIG. 2

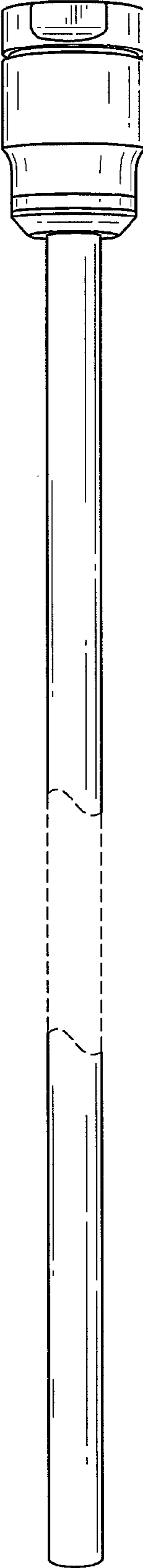


FIG. 3

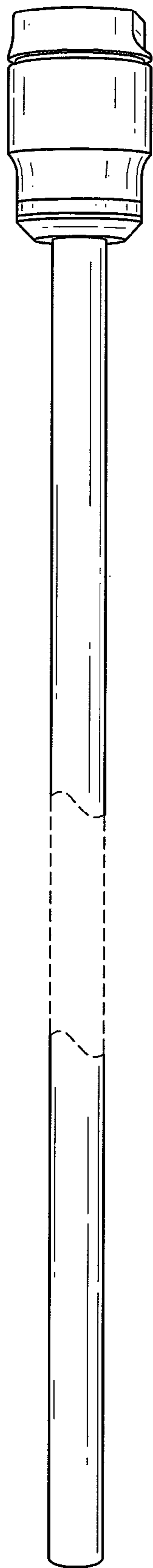


FIG. 4

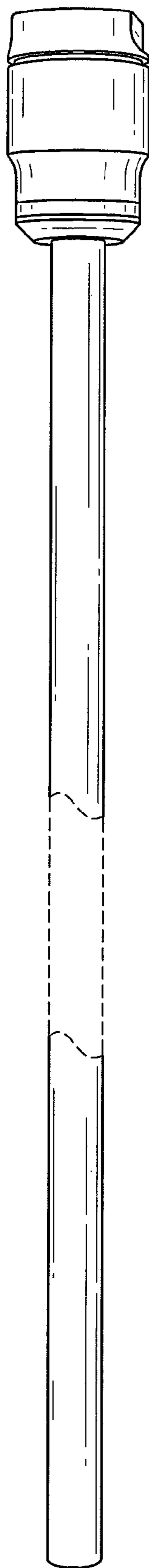


FIG. 5

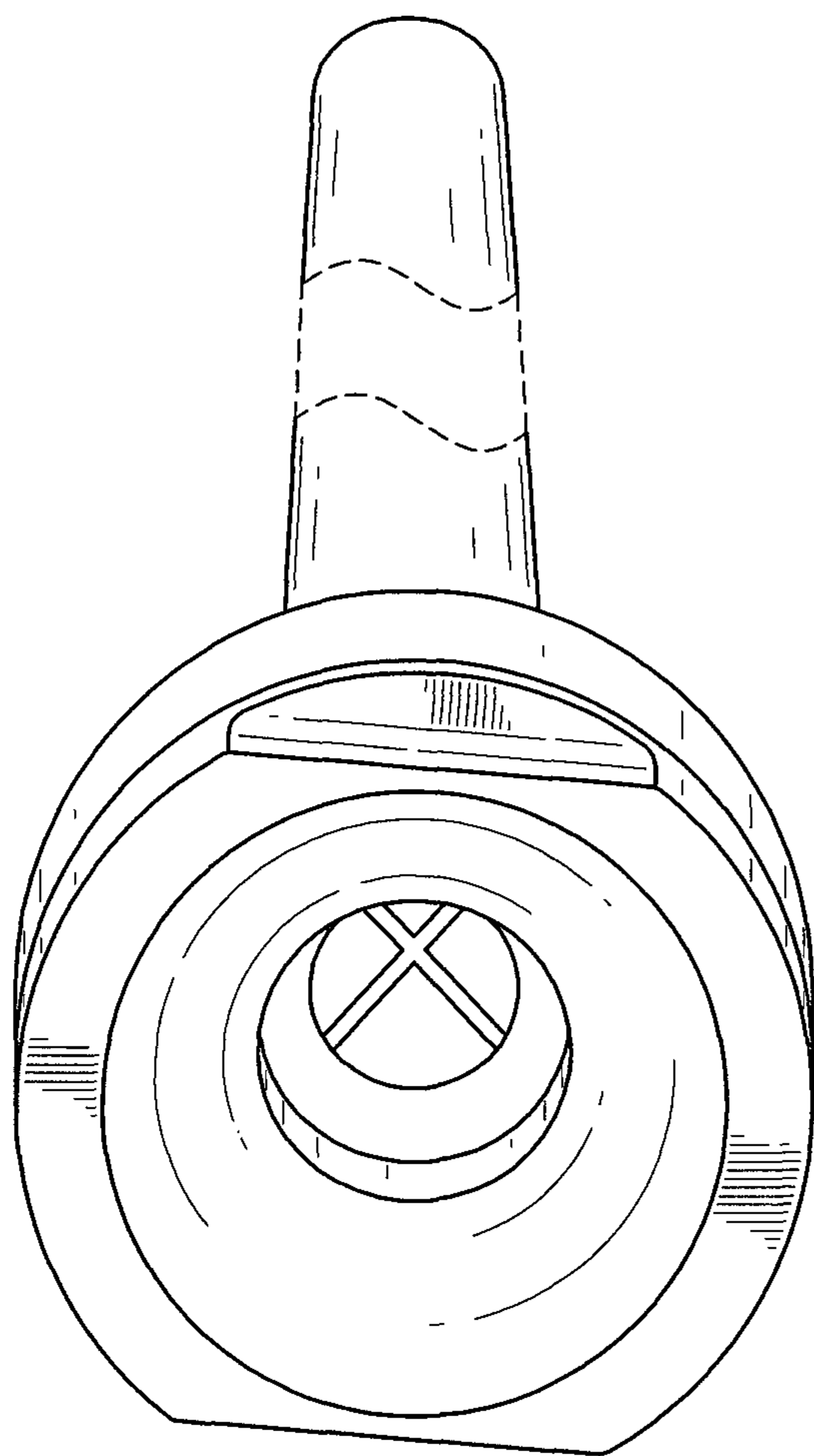


FIG. 6

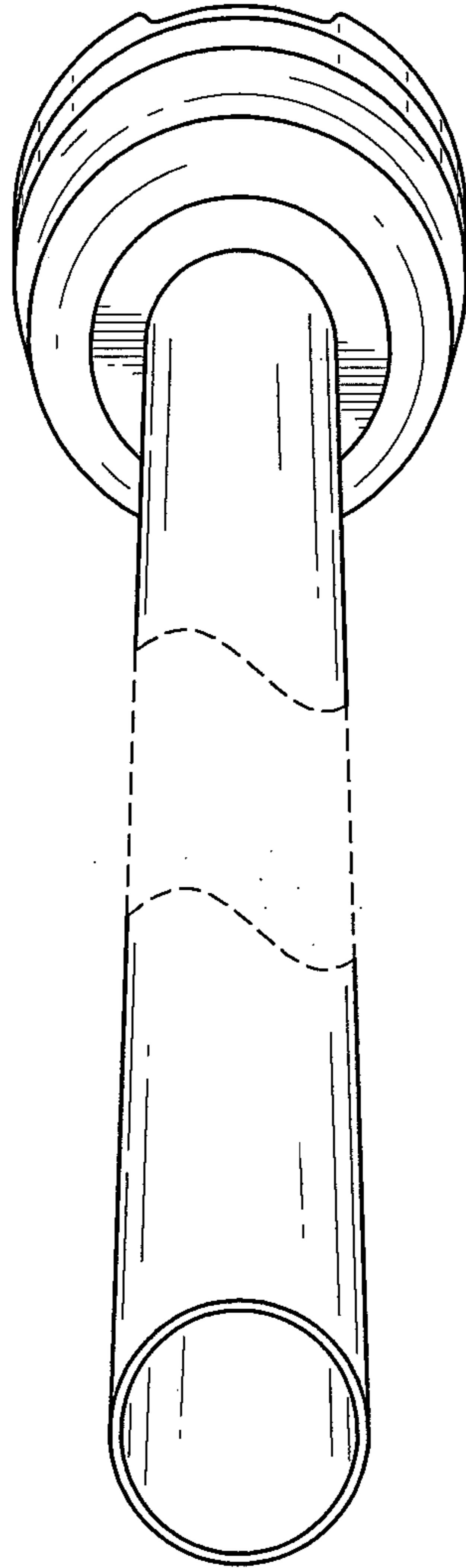


FIG.7