



US00D727497S

(12) **United States Design Patent**  
**Yang et al.**

(10) **Patent No.:** **US D727,497 S**  
(45) **Date of Patent:** **\*\* Apr. 21, 2015**

(54) **SUPPORT FOR FIDUCIAL MARKERS**

(71) Applicant: **7D Surgical Inc.**, Toronto (CA)

(72) Inventors: **Victor Yang**, Toronto (CA); **Peter Siegler**, Toronto (CA); **Adrian Linus Dinesh Mariampillai**, Toronto (CA); **Michael Ka Kit Leung**, Markham (CA); **Beau Anthony Standish**, Toronto (CA)

(73) Assignee: **7D Surgical Inc.**, Toronto, ON (CA)

(\*\*) Term: **14 Years**

(21) Appl. No.: **29/459,845**

(22) Filed: **Jul. 3, 2013**

(51) **LOC (10) Cl.** ..... **24-02**

(52) **U.S. Cl.**  
USPC ..... **D24/140**

(58) **Field of Classification Search**  
USPC ..... D24/232, 107, 127-129, 133, 137-138,  
D24/140, 158, 130, 186; D21/364, 368;  
D20/41; D10/64; 378/162-163;  
600/414, 420, 426, 429

See application file for complete search history.

(56) **References Cited**

**U.S. PATENT DOCUMENTS**

6,978,167	B2 *	12/2005	Dekel et al.	600/426
D527,820	S *	9/2006	Solar et al.	D24/140
7,139,418	B2 *	11/2006	Abovitz et al.	600/414
7,643,867	B2 *	1/2010	Solar et al.	600/426
7,734,327	B2 *	6/2010	Colquhoun	600/426
7,742,804	B2 *	6/2010	Faul	600/414

\* cited by examiner

*Primary Examiner* — Wan Laymon

(74) *Attorney, Agent, or Firm* — Hill & Schumacher; Lynn C. Schumacher; Stephen W. Leonard

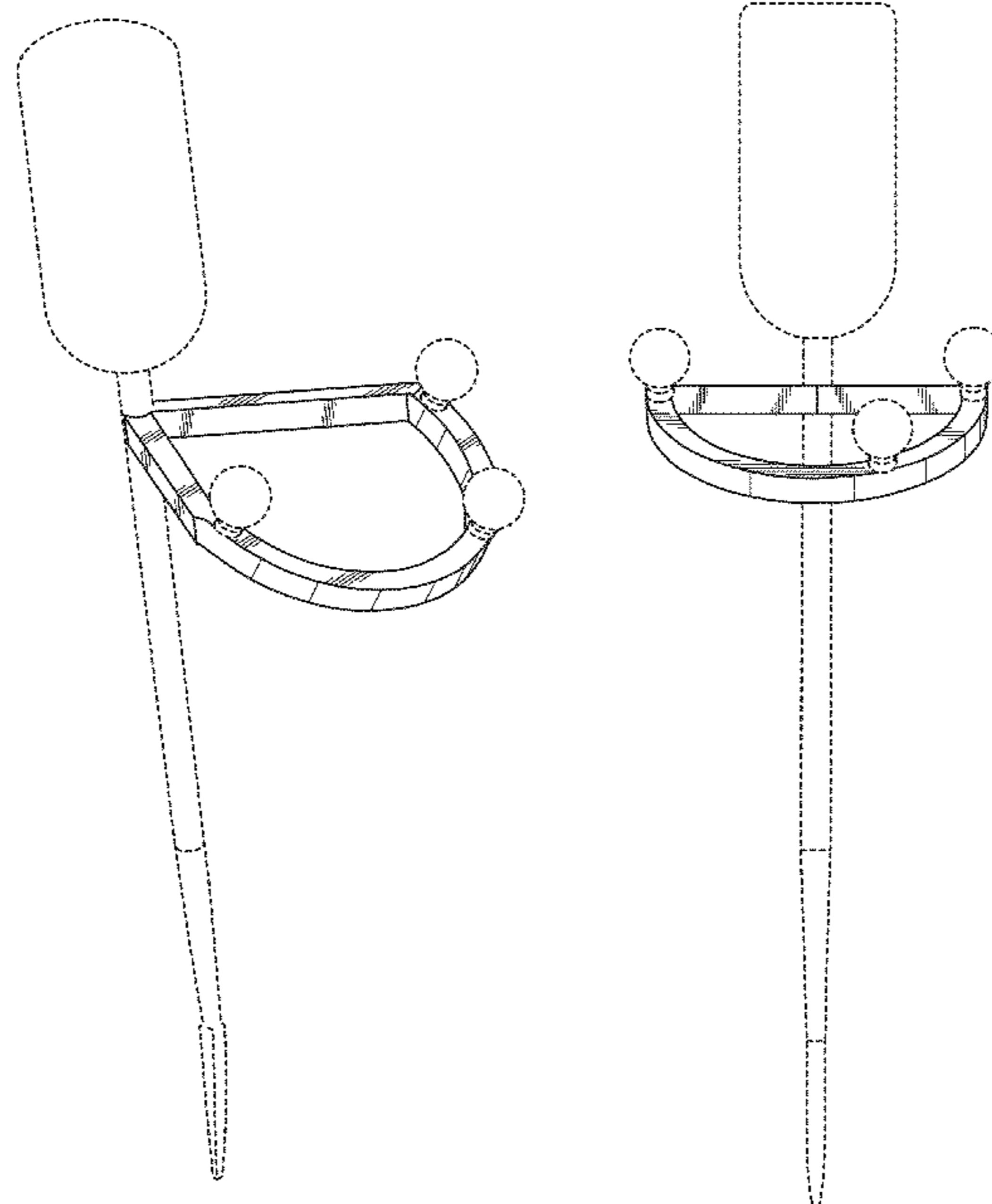
(57) **CLAIM**

The ornamental design for a support for fiducial markers, as shown and described.

**DESCRIPTION**

FIG. 1 is a perspective view of one embodiment of a support for fiducial markers showing our new design incorporated into a longitudinal axis tool;  
FIG. 2 is an enlarged top plan view thereof;  
FIG. 3 is a right side elevational view thereof;  
FIG. 4 is a front elevational view thereof;  
FIG. 5 is a left side elevational view thereof;  
FIG. 6 is a rear elevational view thereof;  
FIG. 7 is a bottom plan view thereof;  
FIG. 8 is a perspective view of another embodiment of a support for fiducial markers showing our new design incorporated into a longitudinal axis tool;  
FIG. 9 is an enlarged top plan view thereof;  
FIG. 10 is a right side elevational view thereof;  
FIG. 11 is a front elevational view thereof;  
FIG. 12 is a left side elevational view thereof;  
FIG. 13 is a rear elevational view thereof; and,  
FIG. 14 is an enlarged bottom plan view thereof.  
The broken lines shown in the figures are included for the purpose of illustrating portions of the support for fiducial markers and form no part of the claimed design.

**1 Claim, 14 Drawing Sheets**



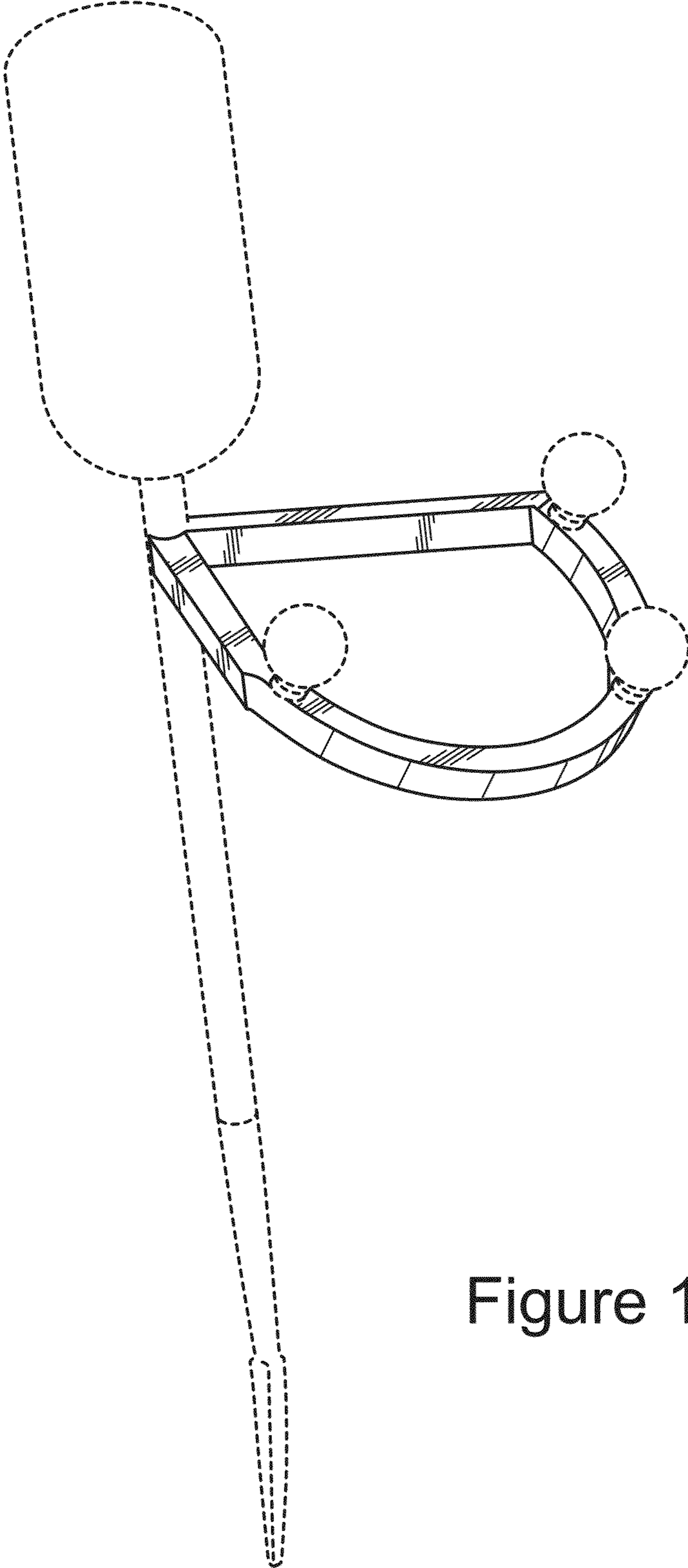


Figure 1

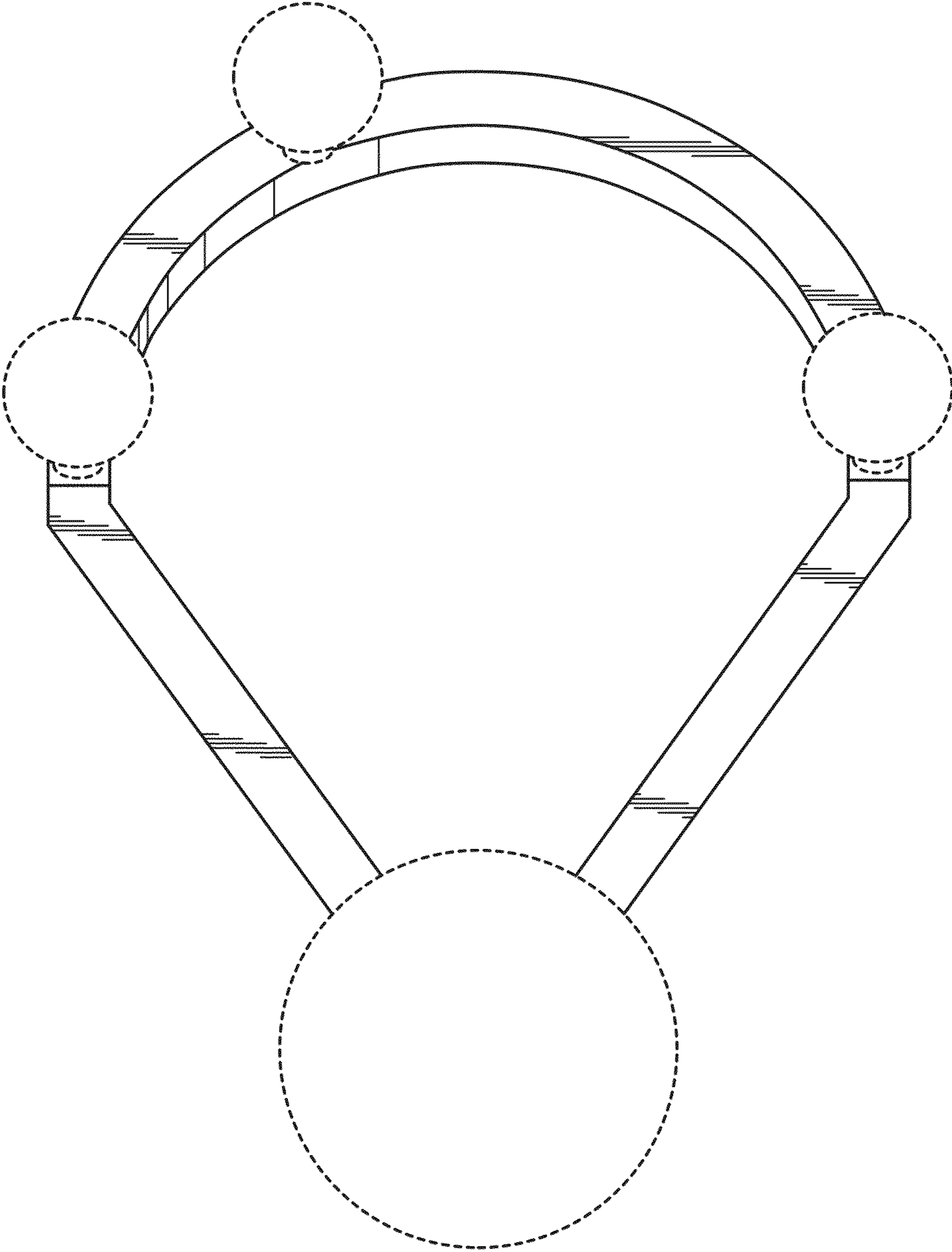


Figure 2

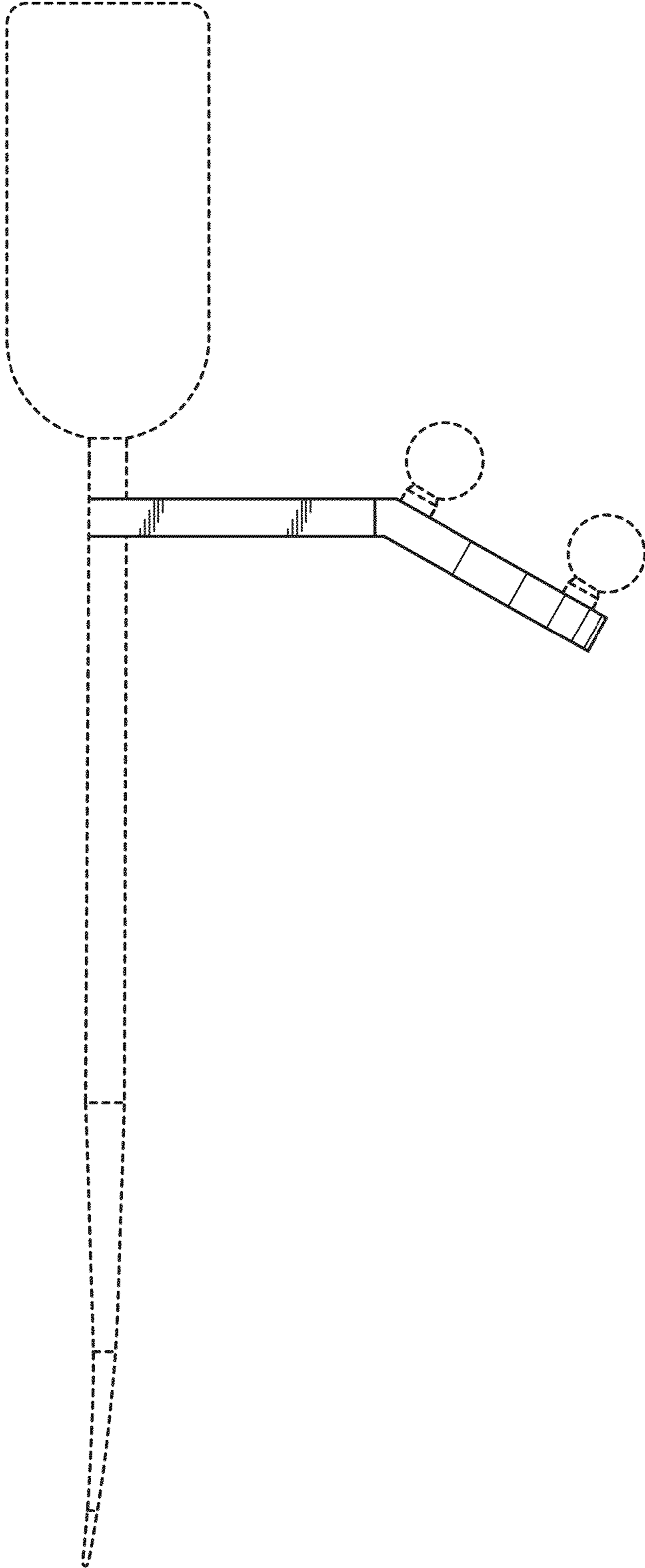


Figure 3

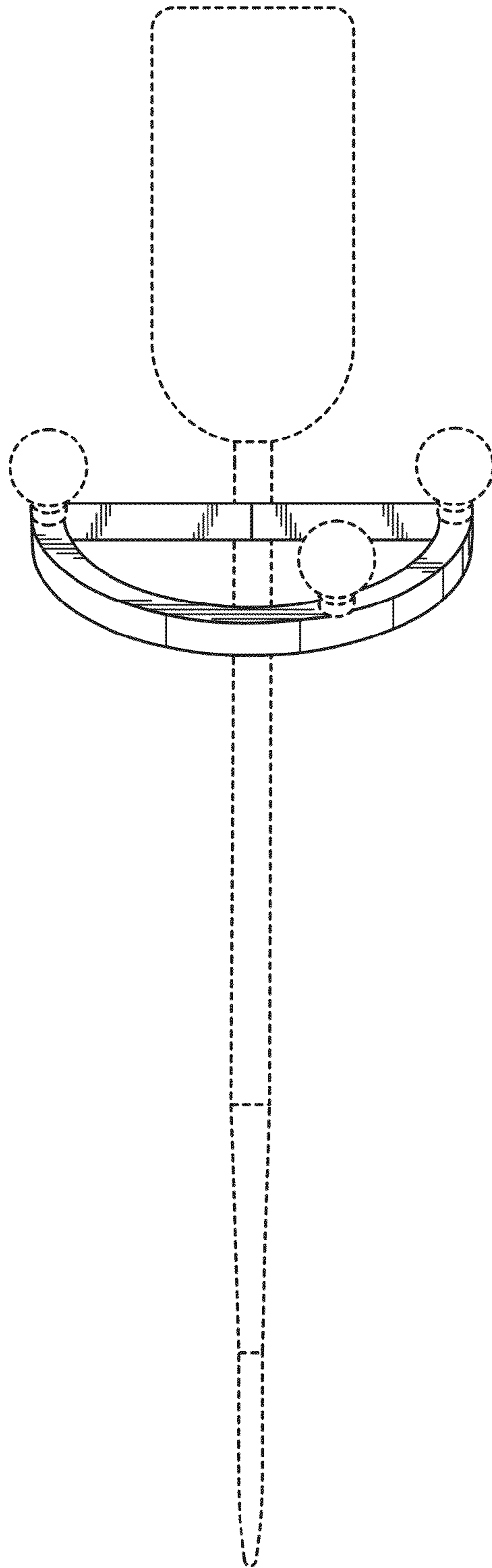


Figure 4

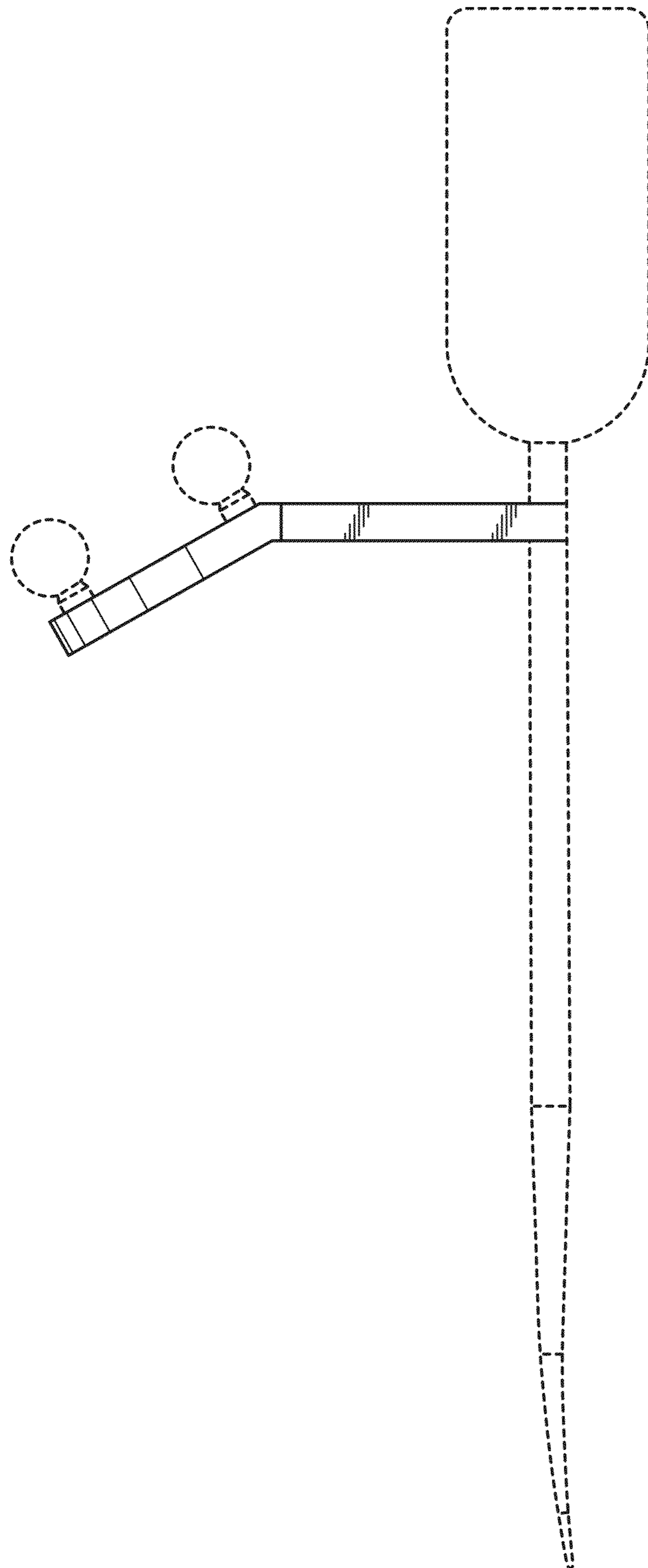


Figure 5

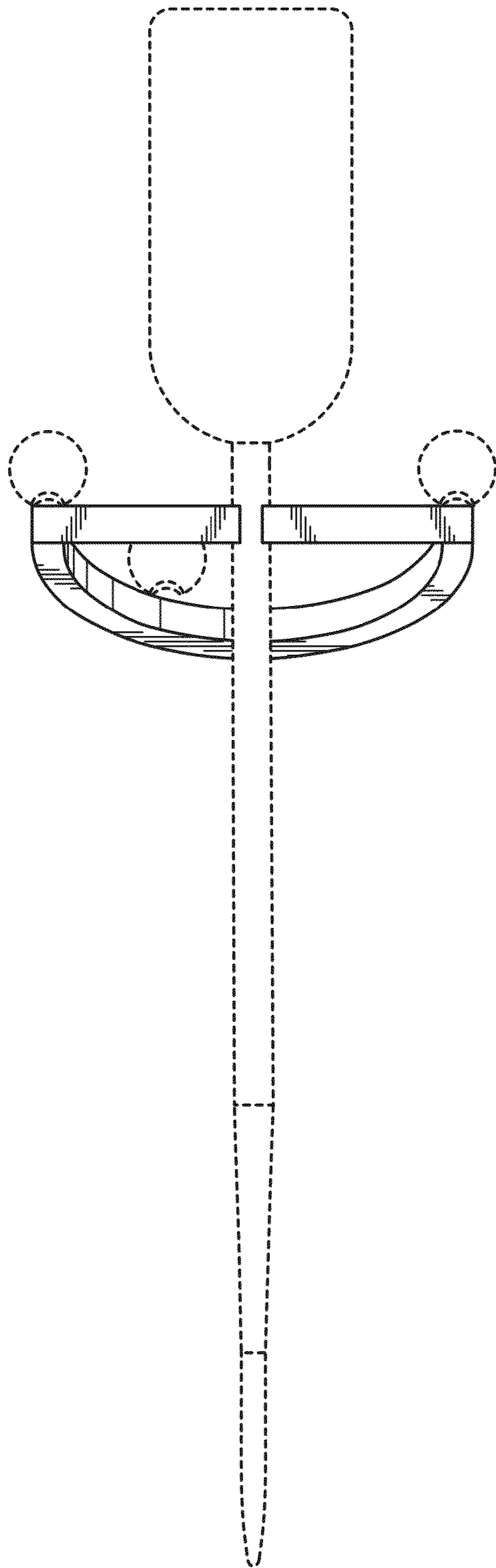


Figure 6

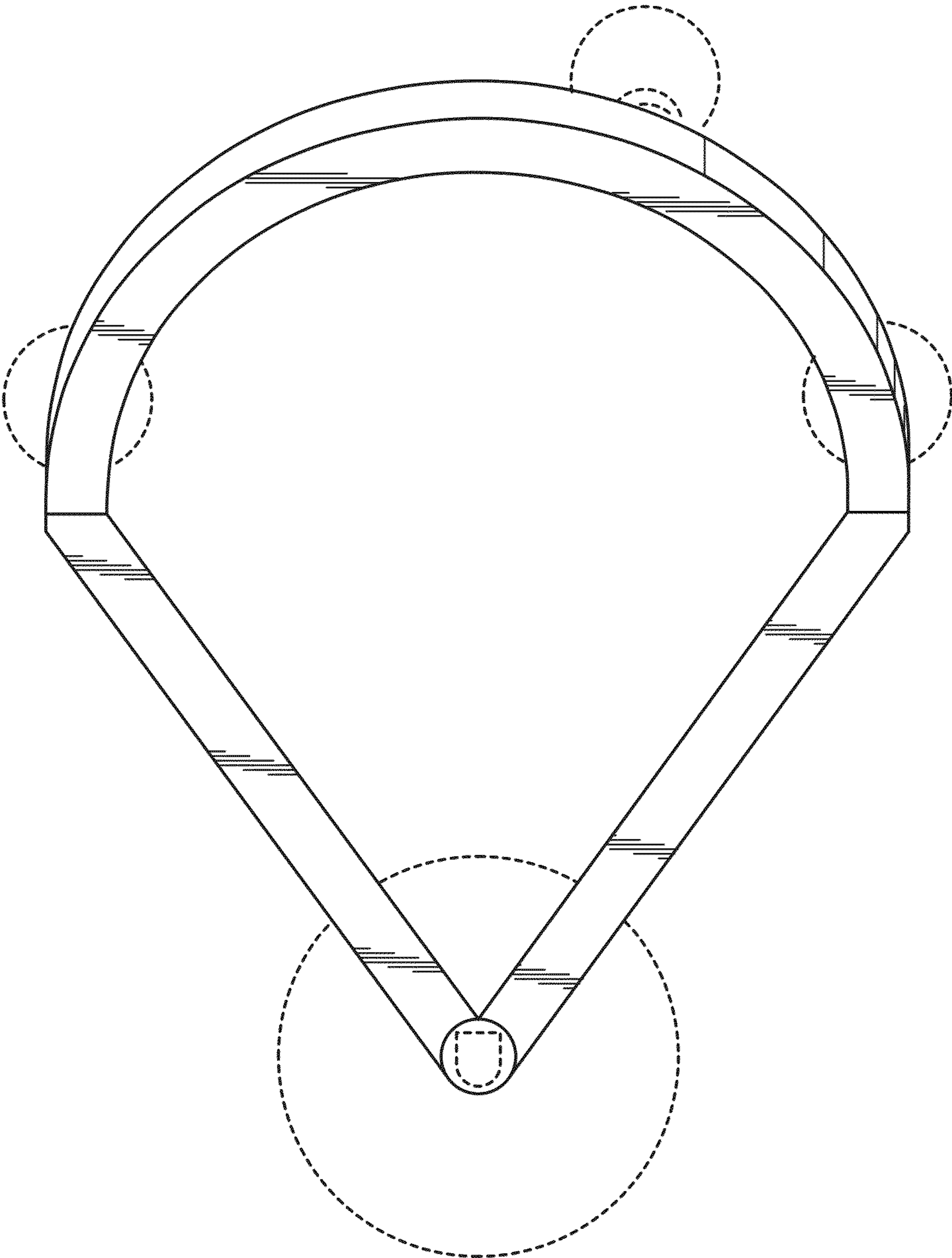


Figure 7



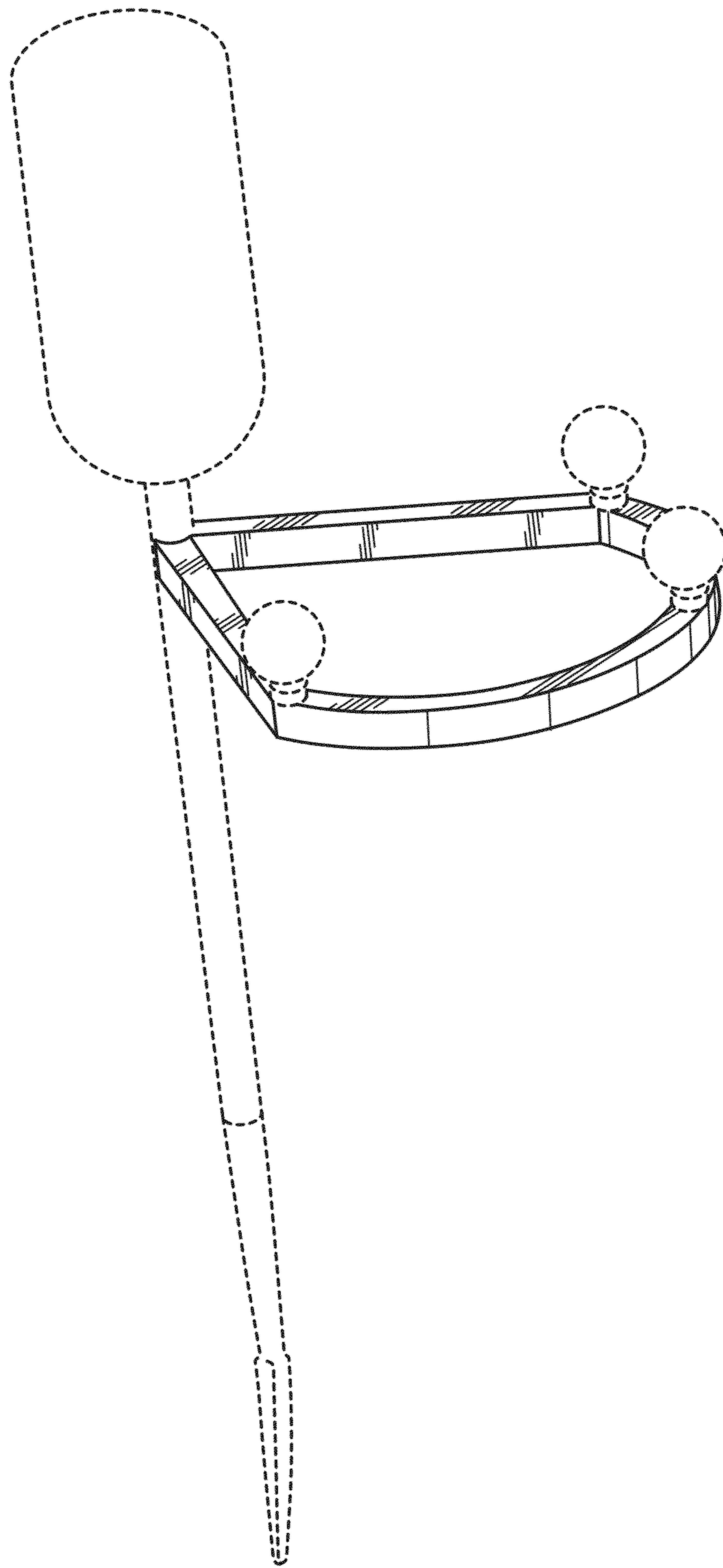


Figure 8

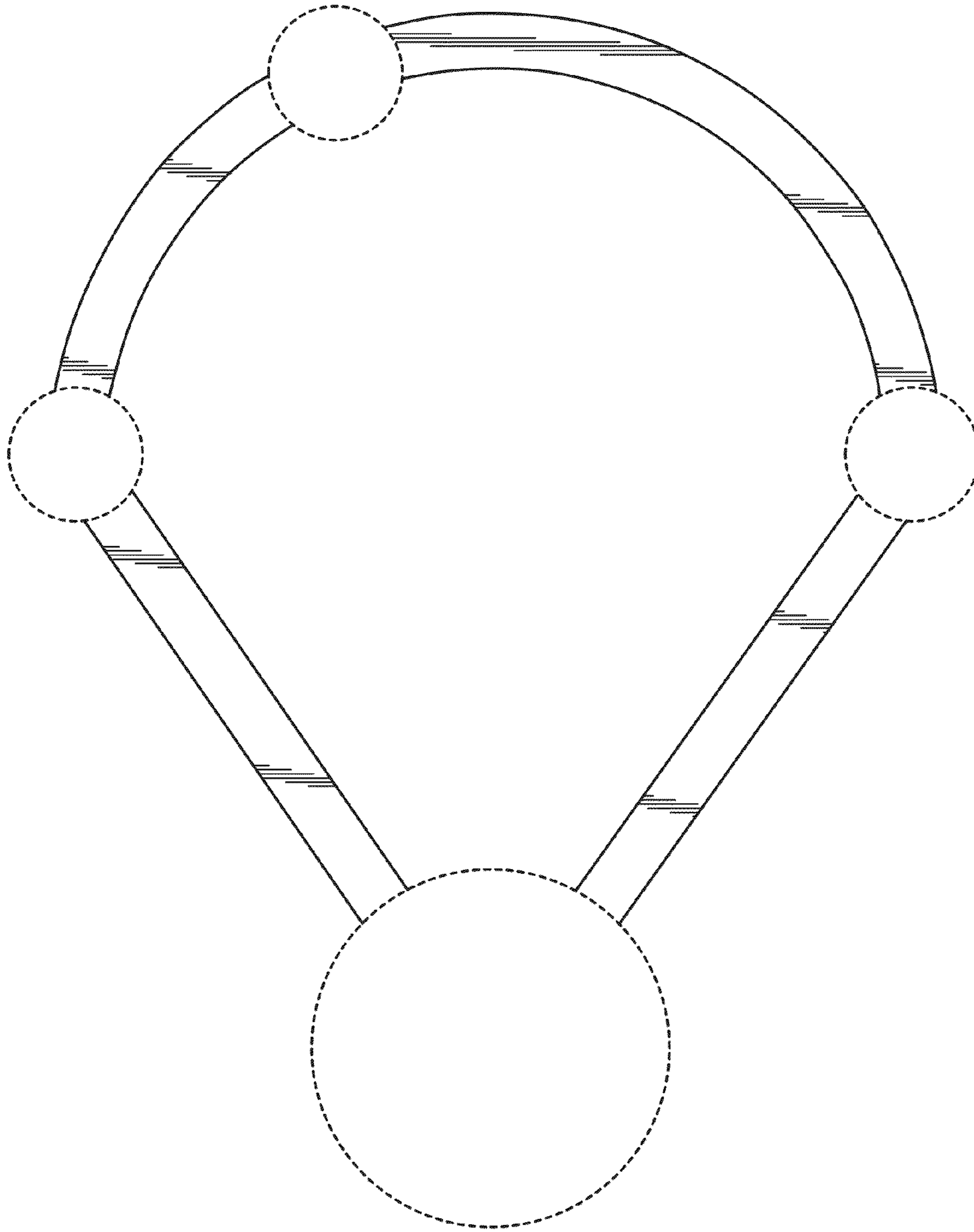


Figure 9

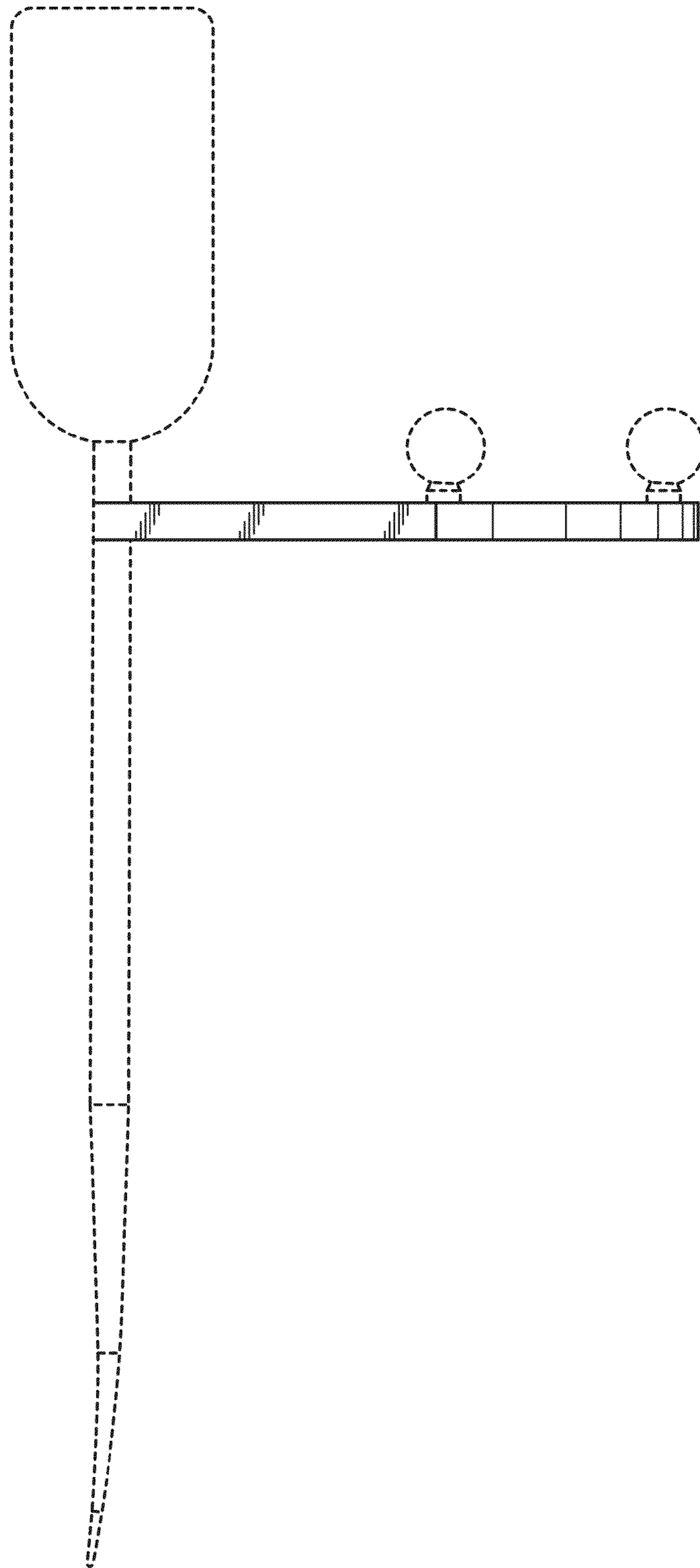


Figure 10

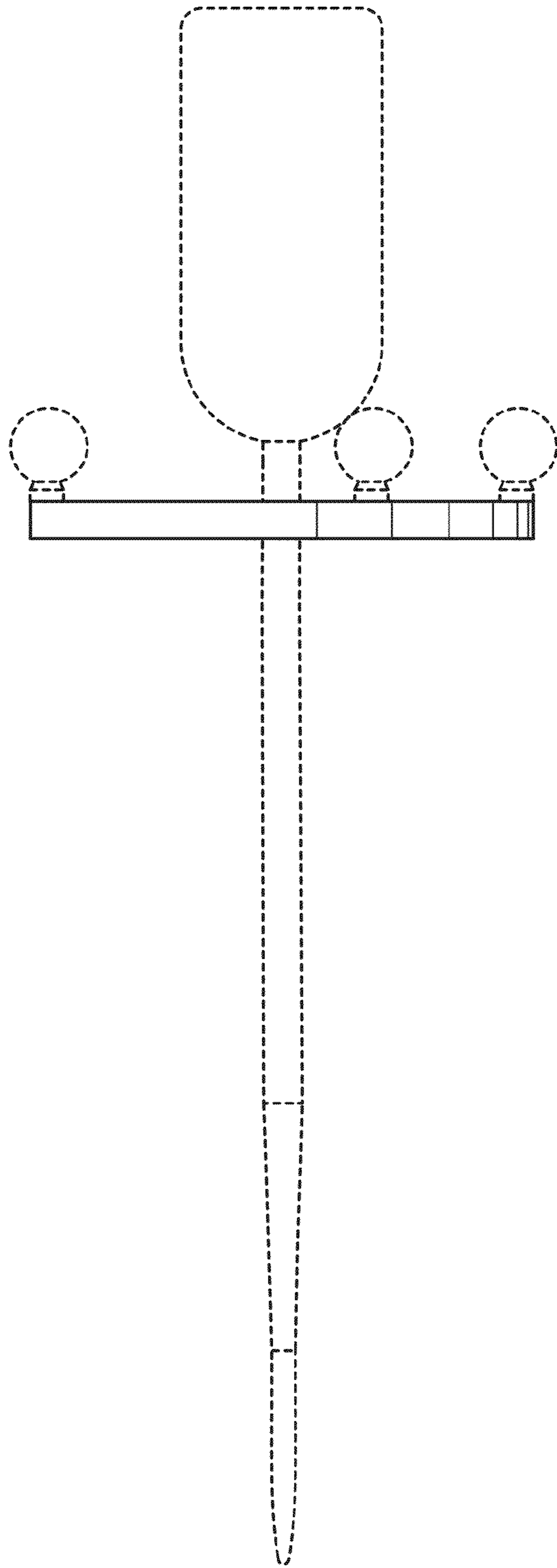


Figure 11

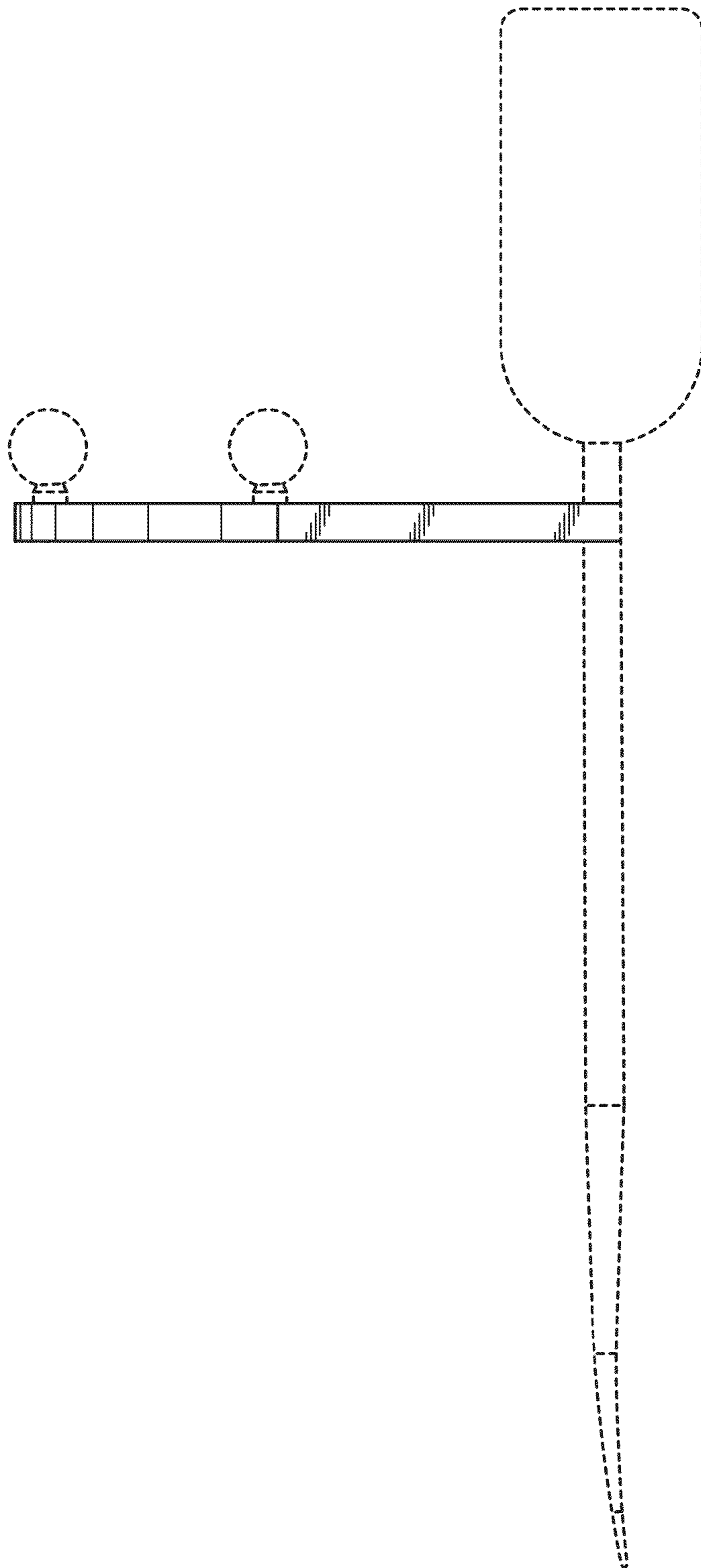


Figure 12

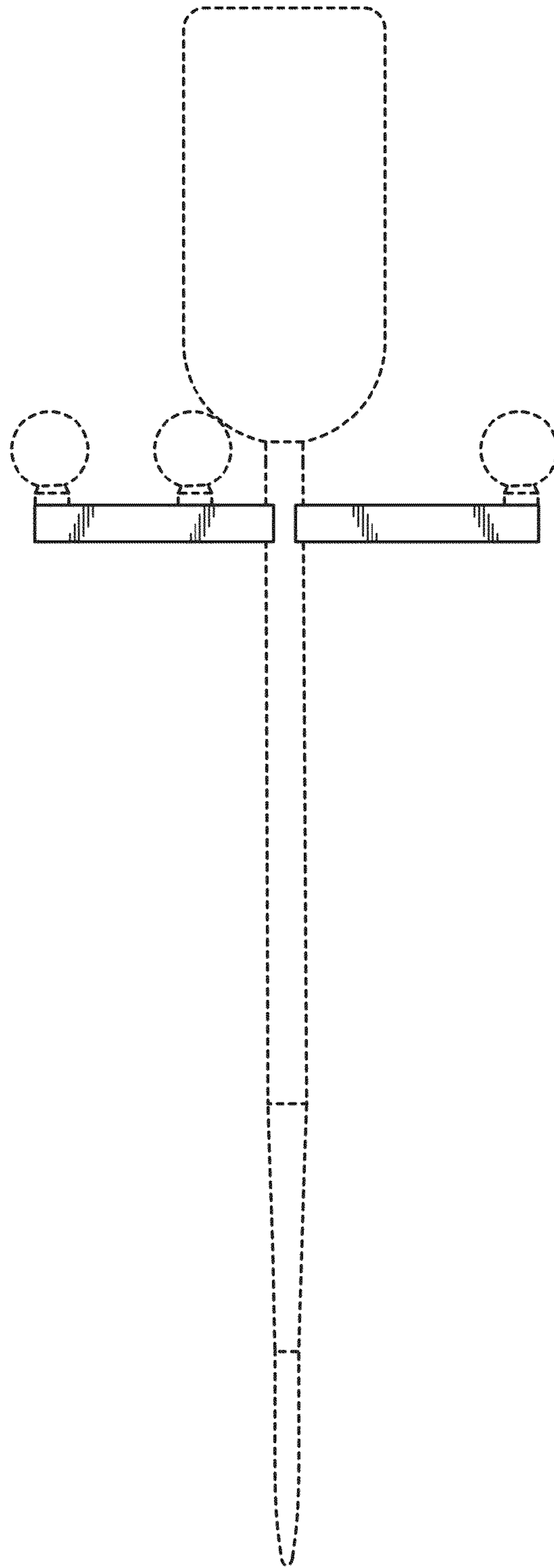


Figure 13

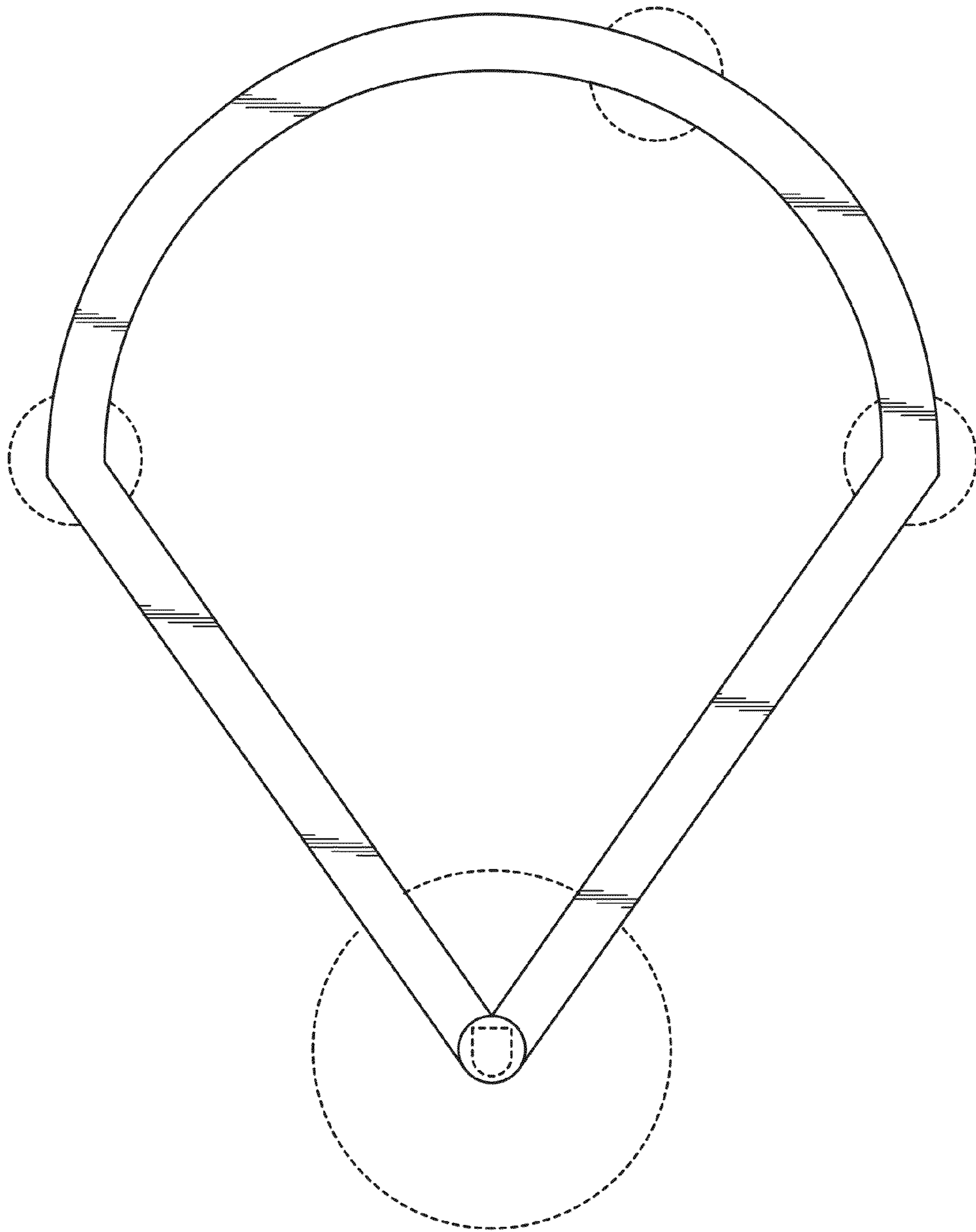


Figure 14