



US00D727494S

(12) **United States Design Patent**
Logue

(10) **Patent No.:** **US D727,494 S**

(45) **Date of Patent:** **** Apr. 21, 2015**

(54) **MEDICAMENT PACKAGE**

(75) Inventor: **Anthony Thomas Logue**, Yowie Bay (AU)

(73) Assignee: **Logue and Co. Pty Ltd.**, Yowie Bay, New South Wales (AU)

(**) Term: **14 Years**

(21) Appl. No.: **29/431,533**

(22) Filed: **Sep. 7, 2012**

(30) **Foreign Application Priority Data**

May 21, 2012 (AU) 2012-12459

(51) **LOC (10) Cl.** **24-04**

(52) **U.S. Cl.**
USPC **D24/121**

(58) **Field of Classification Search**

USPC D24/117, 121, 113, 112, 127, 224;
D9/453, 449, 447, 440, 436, 435, 434,
D9/516, 547, 549, 560, 572, 573; D7/398,
D7/397, 608, 602, 619.1, 629; 222/570,
222/569, 544, 548, 562, 157, 158; 604/403
See application file for complete search history.

(56) **References Cited**

U.S. PATENT DOCUMENTS

2,780,225 A * 2/1957 Barr et al. 604/403
3,426,931 A * 2/1969 Jensen 215/218

D287,335 S * 12/1986 Anderson D9/726
5,598,939 A * 2/1997 Watson et al. 215/307
5,931,828 A * 8/1999 Durkee 604/403
D482,794 S * 11/2003 Whitley D24/224
7,244,246 B2 * 7/2007 Madritsch et al. 604/294
D643,291 S * 8/2011 Haskins D9/516
2011/0073501 A1 * 3/2011 Wu 206/219
2011/0130740 A1 * 6/2011 Levy 604/403
2012/0216909 A1 * 8/2012 Levy 141/2
2013/0231635 A1 * 9/2013 Lee 604/506
2014/0005629 A1 * 1/2014 Moy et al. 604/403

* cited by examiner

Primary Examiner — David Muller

Assistant Examiner — Nathan Johnston

(74) *Attorney, Agent, or Firm* — Sughrue Mion, PLLC

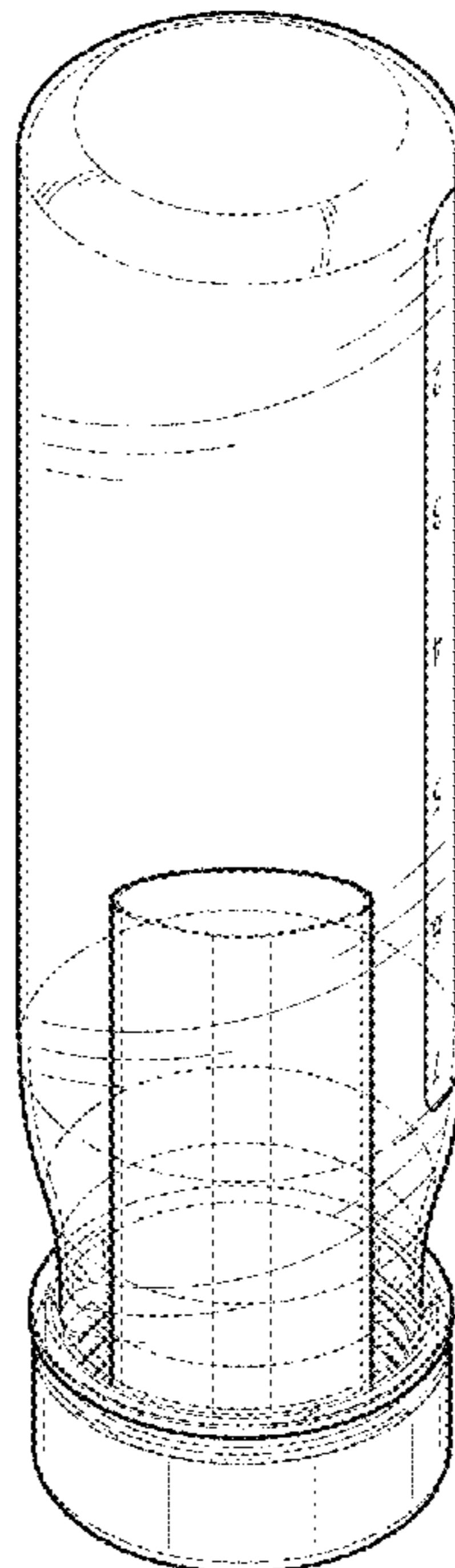
(57) **CLAIM**

The ornamental design for a medicament package, as shown and described.

DESCRIPTION

FIG. 1 is a front perspective view of the medicament package;
FIG. 2 is a left side view of thereof;
FIG. 3 is a right side view thereof;
FIG. 4 is a front view thereof;
FIG. 5 is a rear view thereof;
FIG. 6 is a top view thereof; and,
FIG. 7 is a bottom view thereof.

1 Claim, 4 Drawing Sheets



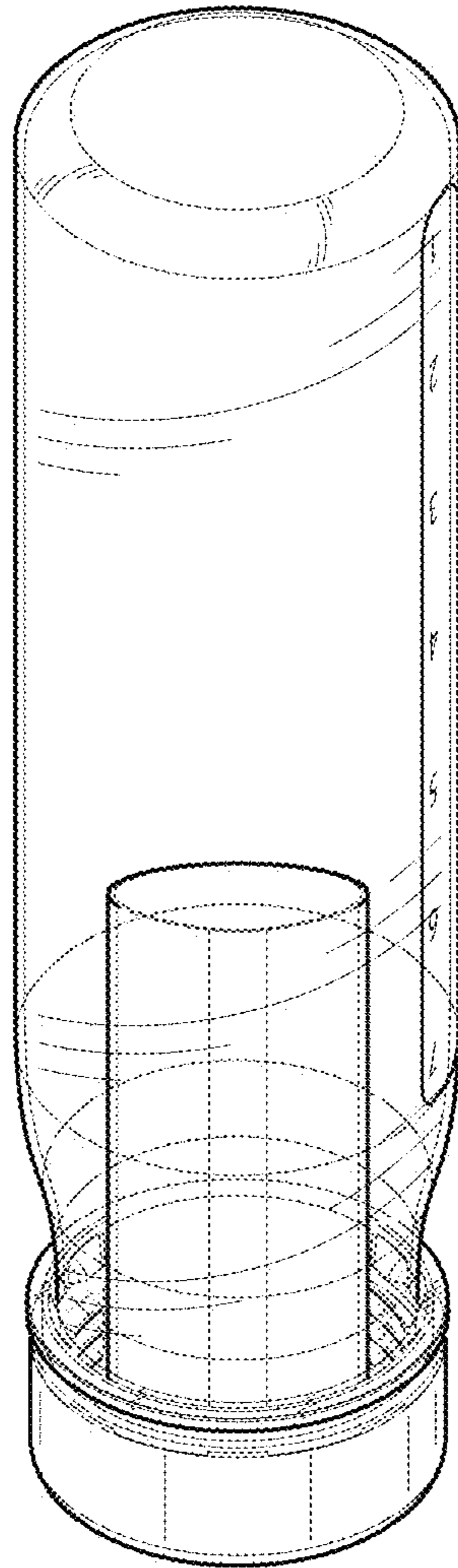


FIG. 1

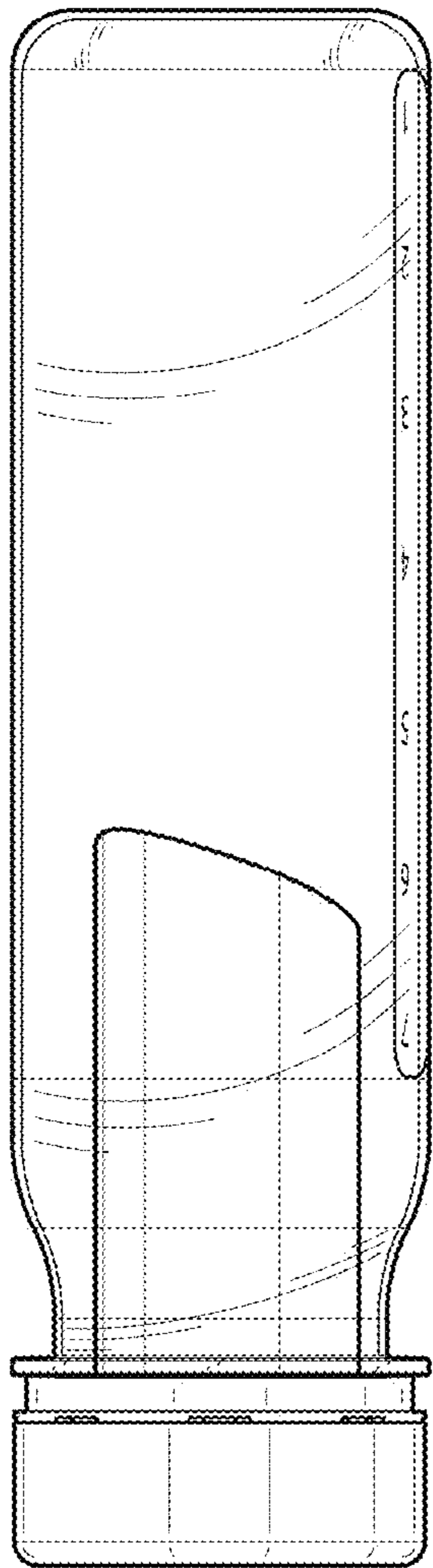


FIG. 2

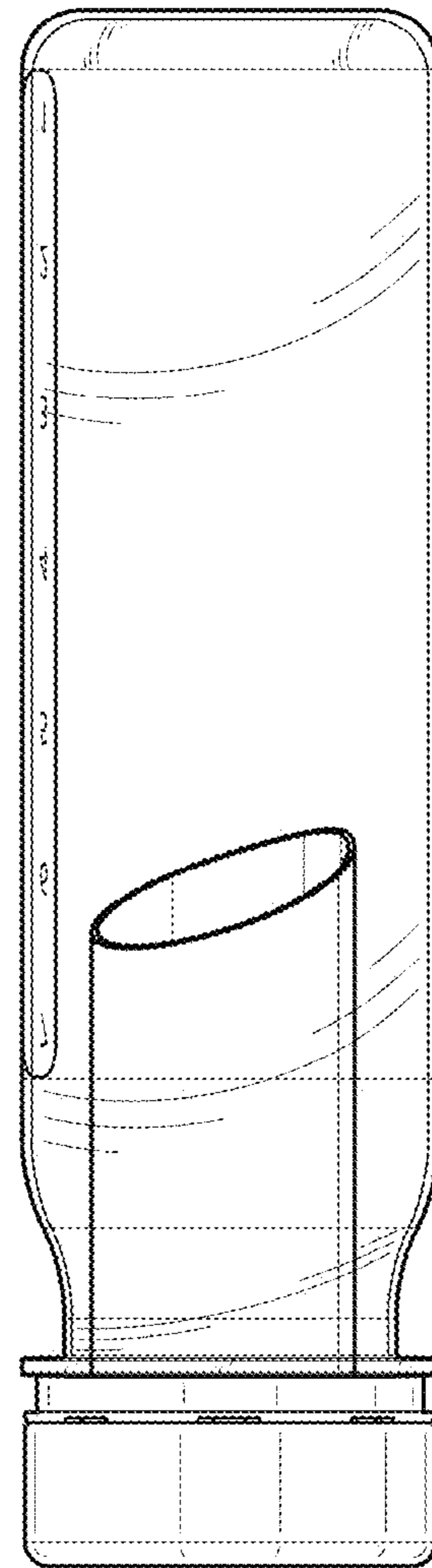


FIG. 3

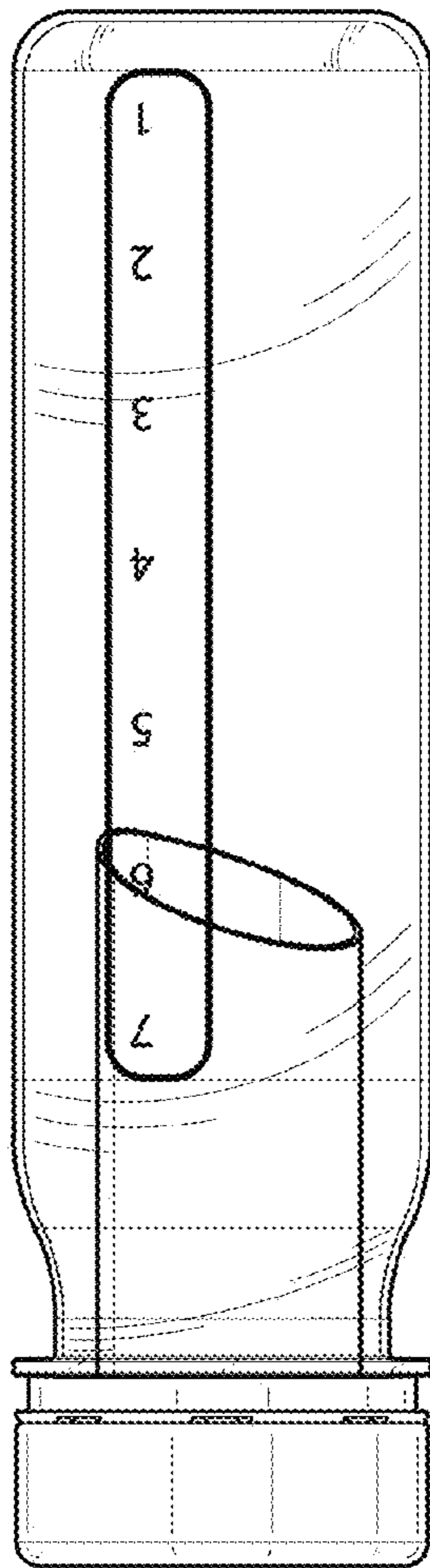


FIG. 4

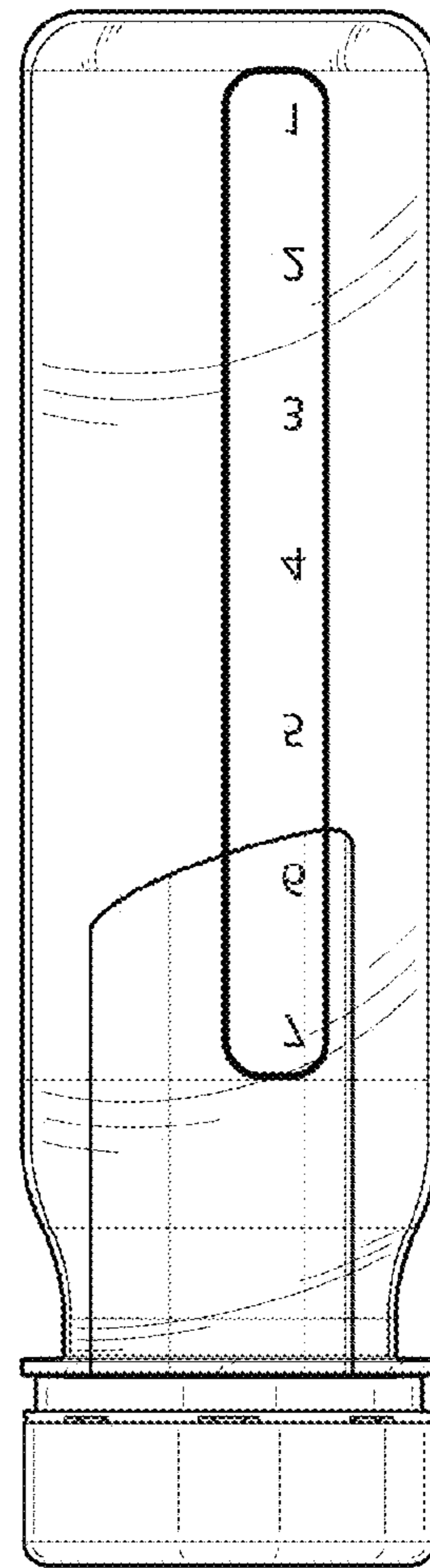


FIG. 5

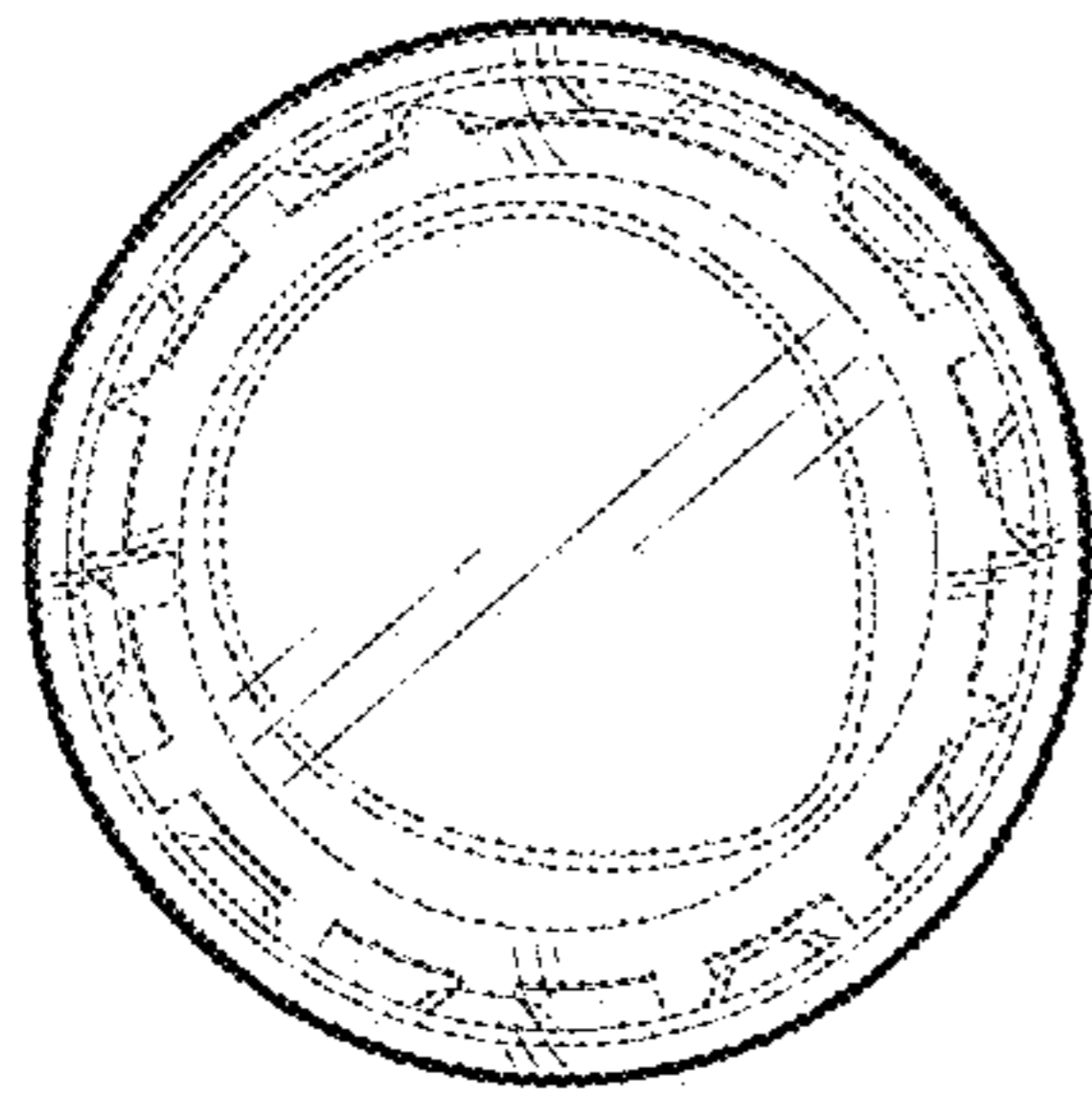


FIG. 6

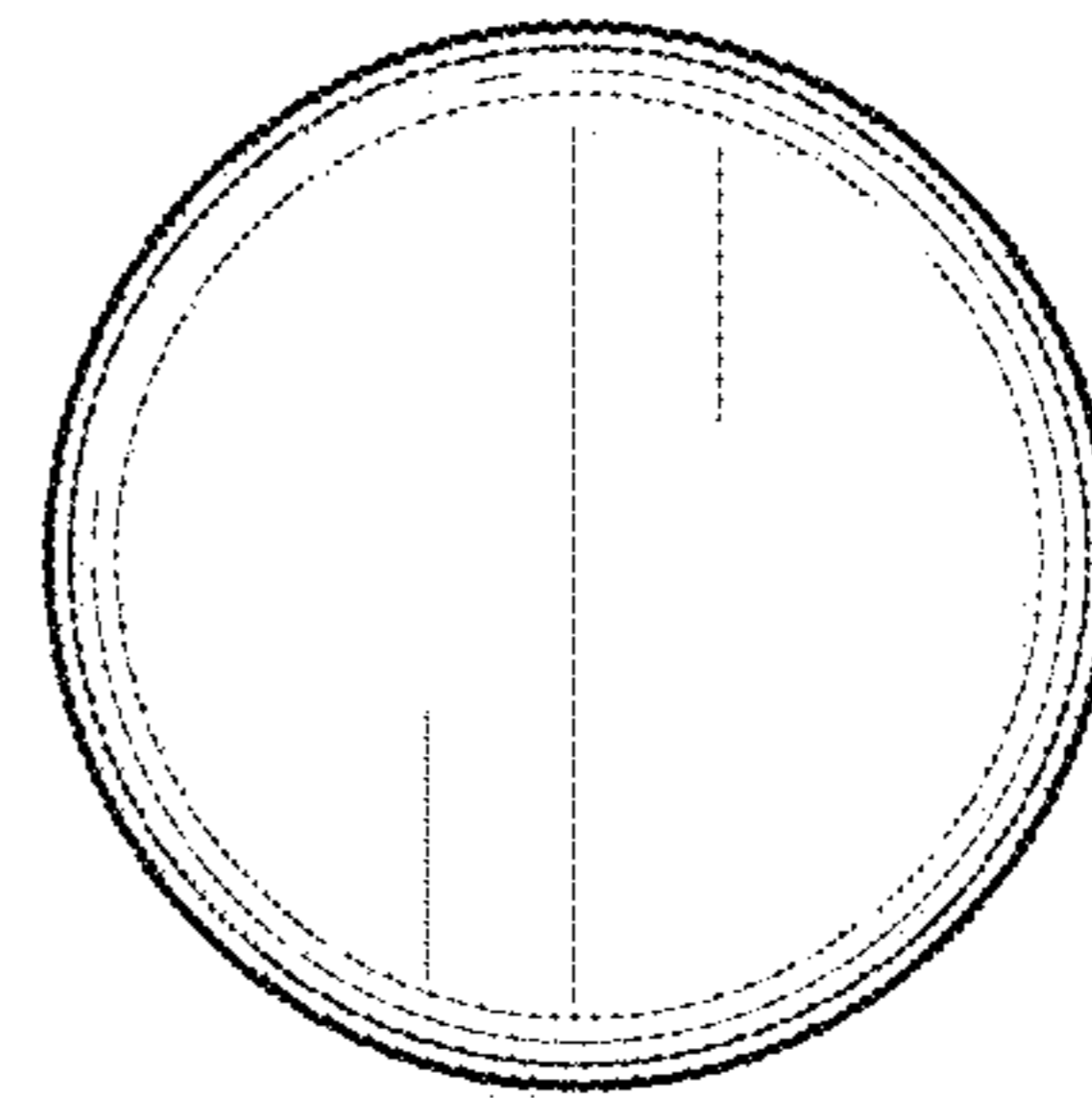


FIG. 7