

US00D727491S

(12) **United States Design Patent**  
**LaGratta**

(10) **Patent No.:** **US D727,491 S**

(45) **Date of Patent:** **\*\* Apr. 21, 2015**

(54) **WAVE-SHAPED TABLET**

FOREIGN PATENT DOCUMENTS

(71) Applicant: **John F. LaGratta**, New York, NY (US)

CA 02300018 8/2000

(72) Inventor: **John F. LaGratta**, New York, NY (US)

EP 0288149 3/1988

(73) Assignee: **John F. LaGratta**, New York, NY (US)

EP 0421541 10/1990

EP 1413624 4/2004

(\*\*) Term: **14 Years**

OTHER PUBLICATIONS

(21) Appl. No.: **29/468,634**

C1: "Candy Lego," (Publication date: Date Unknown) Economy Candy. Retrieved Oct. 29, 2013 from [http://www.economycandy.com/index.php?dispatch=products.view&product\\_id=1568](http://www.economycandy.com/index.php?dispatch=products.view&product_id=1568).

(22) Filed: **Oct. 1, 2013**

(Continued)

(51) **LOC (10) Cl.** ..... **24-01**

*Primary Examiner* — Ian Simmons

(52) **U.S. Cl.**

*Assistant Examiner* — Charles Hanson

USPC ..... **D24/101**

(74) *Attorney, Agent, or Firm* — Proskauer Rose LLP

(58) **Field of Classification Search**

USPC ..... D24/100–104; D1/100, 127, 130;  
D23/207, 208; 604/287, 288, 403;  
206/1.5, 528, 530–539; 424/10.2, 10.3,  
424/408, 438, 439, 451, 472, 473, 475,  
424/453–456, 464–469

(57) **CLAIM**

The ornamental design for a wave-shaped tablet, as shown and described.

See application file for complete search history.

**DESCRIPTION**

(56) **References Cited**

U.S. PATENT DOCUMENTS

1,855,145 A 4/1932 Jones  
D183,846 S \* 11/1958 Lippert ..... D28/8.1  
3,892,867 A 7/1975 Schoonman  
4,735,805 A \* 4/1988 Ni et al. .... 424/464  
4,975,295 A 12/1990 Sierra  
D372,974 S \* 8/1996 Williams ..... D24/104  
D373,187 S \* 8/1996 Dickinson et al. .... D24/103  
D373,234 S \* 9/1996 Manderfeld ..... D1/130  
6,808,727 B2 10/2004 Kemeny  
D604,929 S \* 12/2009 Hartmann ..... D1/127  
8,545,883 B2 \* 10/2013 Colombo et al. .... 424/464

FIG. 1 is a perspective view of a wave-shaped tablet according to my new design.

FIG. 2 is a side perspective view of my wave-shaped tablet.

FIG. 3 is a front side view of my wave-shaped tablet.

FIG. 4 is a right side view of my wave-shaped tablet.

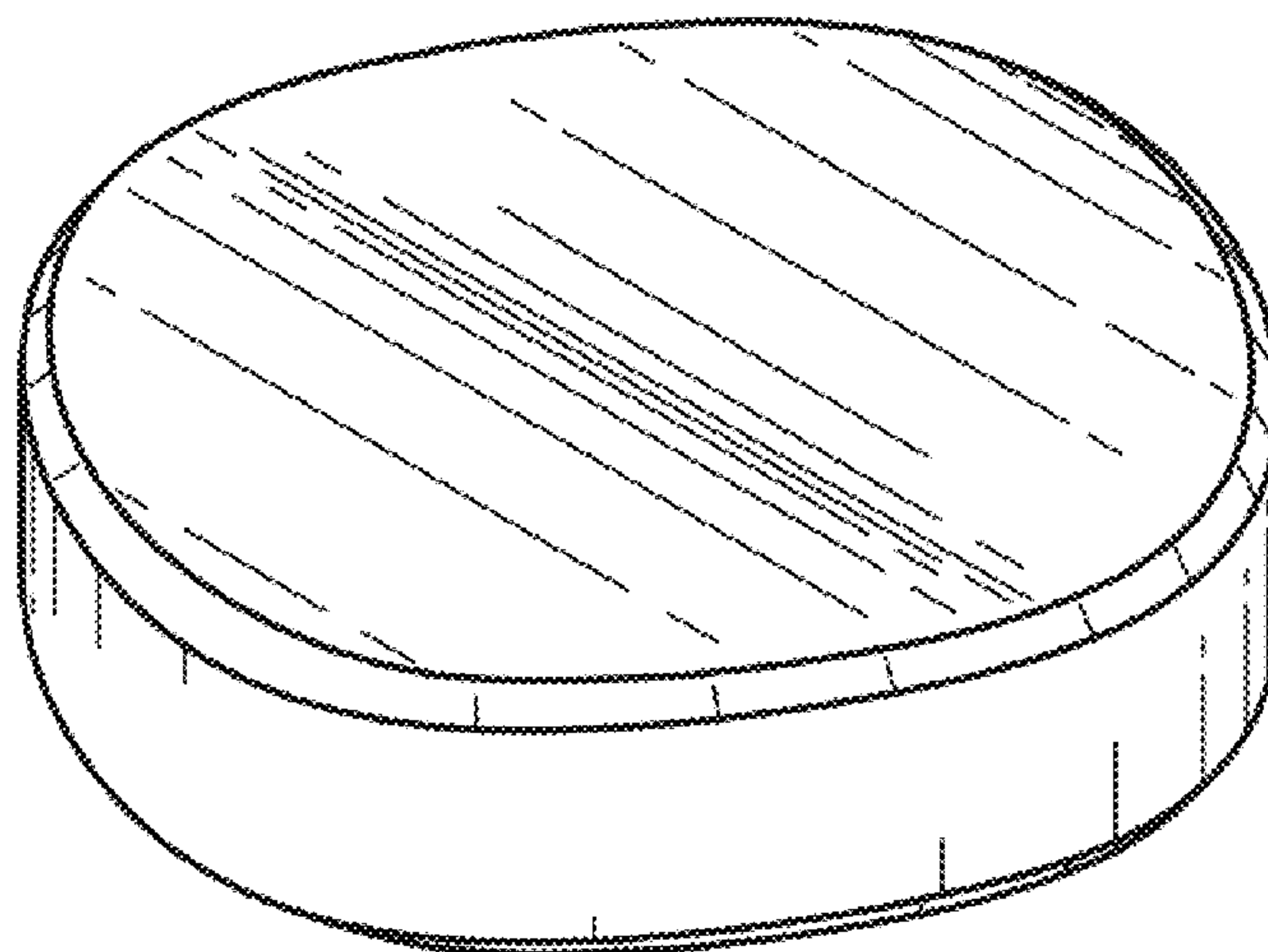
FIG. 5 is a left side view of my wave-shaped tablet.

FIG. 6 is a top side view of my wave-shaped tablet; and,

FIG. 7 is a front side view of my wave-shaped tablet illustrated in a stacked arrangement.

The broken line showing in FIG. 7 is included for the purpose of illustrating environment and forms no part of the claimed design.

**1 Claim, 1 Drawing Sheet**



(56)

**References Cited**

OTHER PUBLICATIONS

C2: "Cookie Press-Fit Construction Kit," (Publication date: Date Unknown) Massachusetts Institute of Technology. Retrieved Oct. 29, 2013 from <http://fab.cba.mit.edu/classes/863.11/people/janice.wang/MAS863.11Site/Press-Fit.html>.

C3: "Designer Diabetes," (Jan. 27, 2011) The Exfoliator. Retrieved Oct. 29, 2013 from [http://www.theexfoliator.com/2011\\_01\\_01\\_archive.html](http://www.theexfoliator.com/2011_01_01_archive.html).

C4: "Interlocking Rings," (Publication date: Date Unknown) Sandscripts. Retrieved Oct. 29, 2013 from [http://www.sandscripts.com/catalog/wedding/gif/interlocking\\_rings.jpg](http://www.sandscripts.com/catalog/wedding/gif/interlocking_rings.jpg).

C5: "Sugar Cubes," (Publication date: Date Unknown) Anderson Ranch Arts Center. Retrieved Oct. 29, 2013 from <http://www.andersonranch.org/blog/wp-content/uploads/2011/04/SugarCubes.jpg>.

\* cited by examiner

FIG. 1

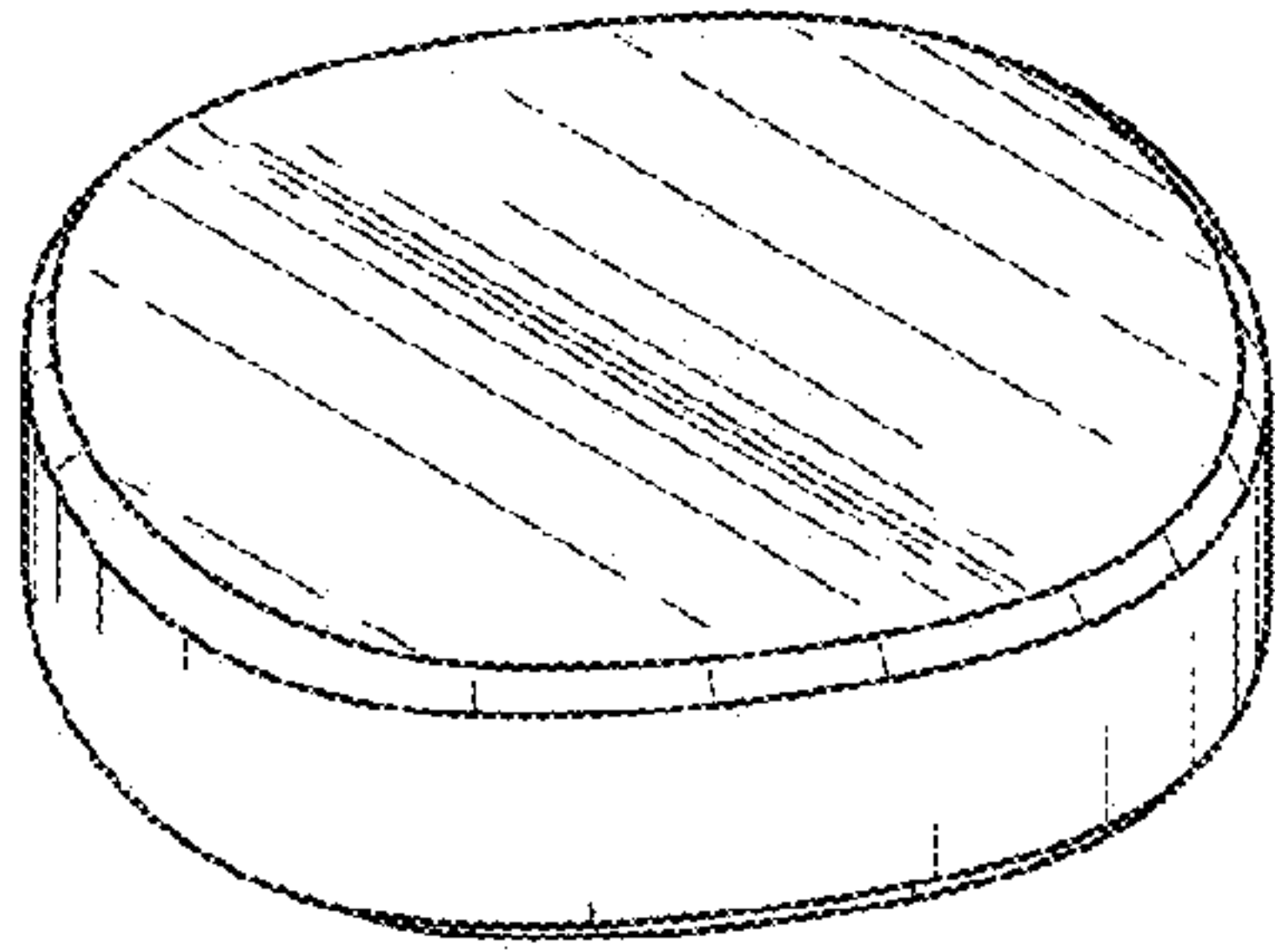


FIG. 2

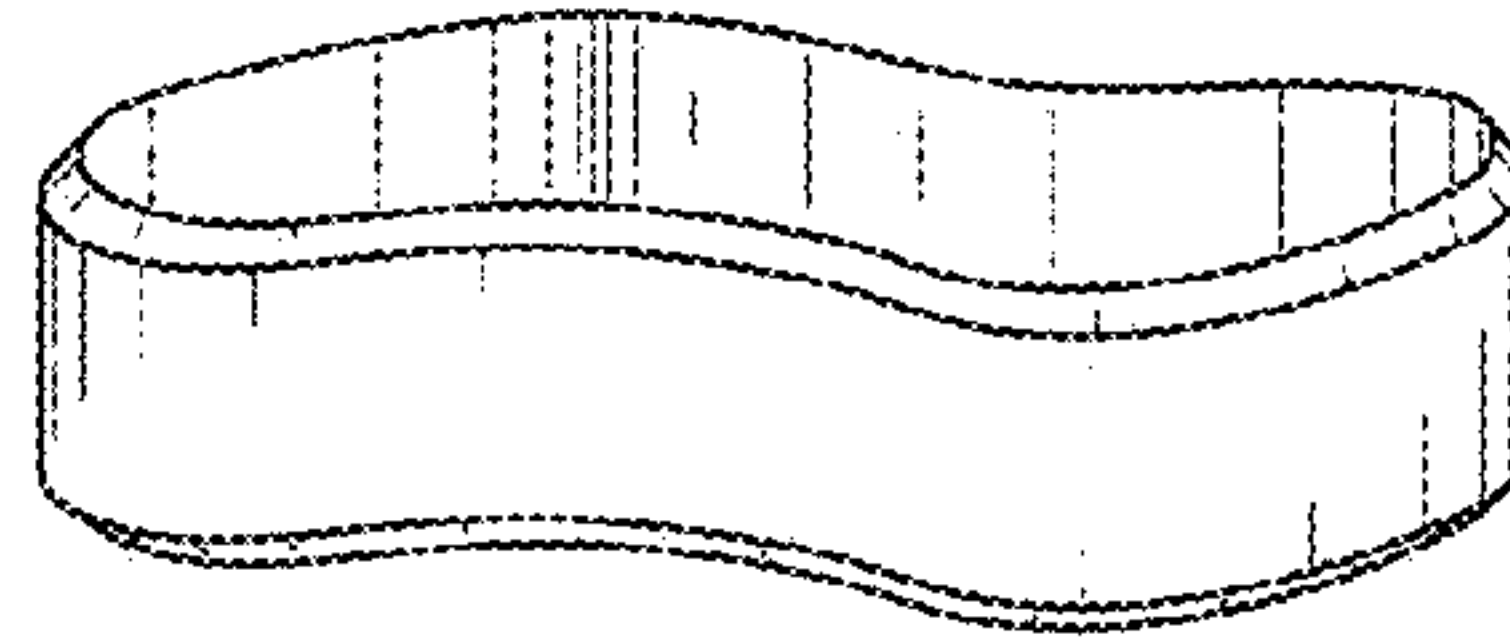


FIG. 3



FIG. 4



FIG. 5

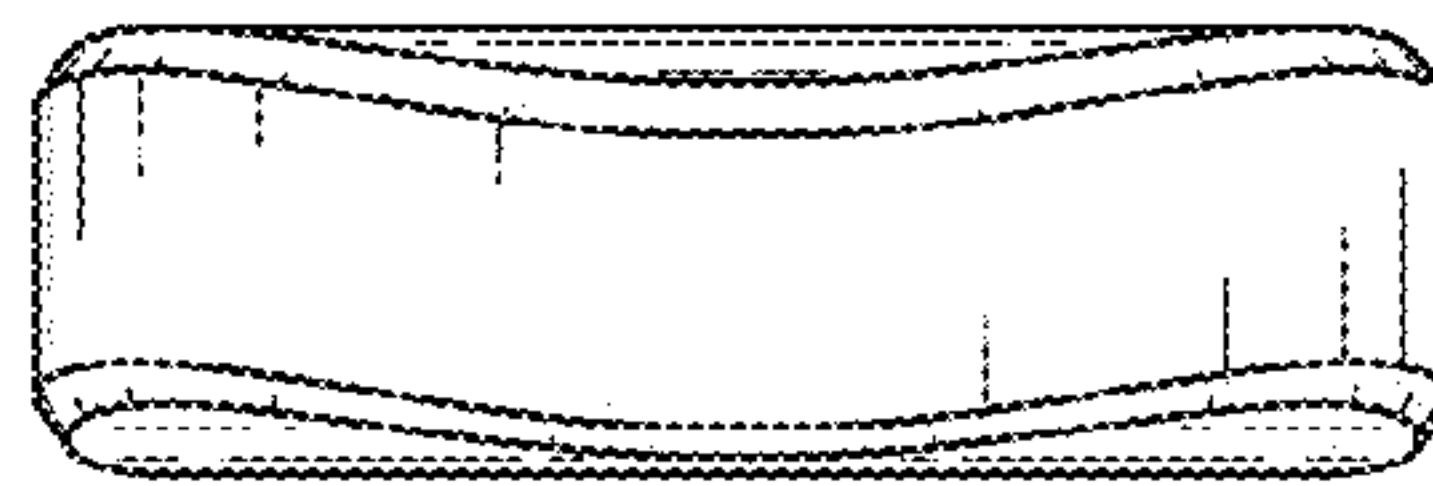


FIG. 6

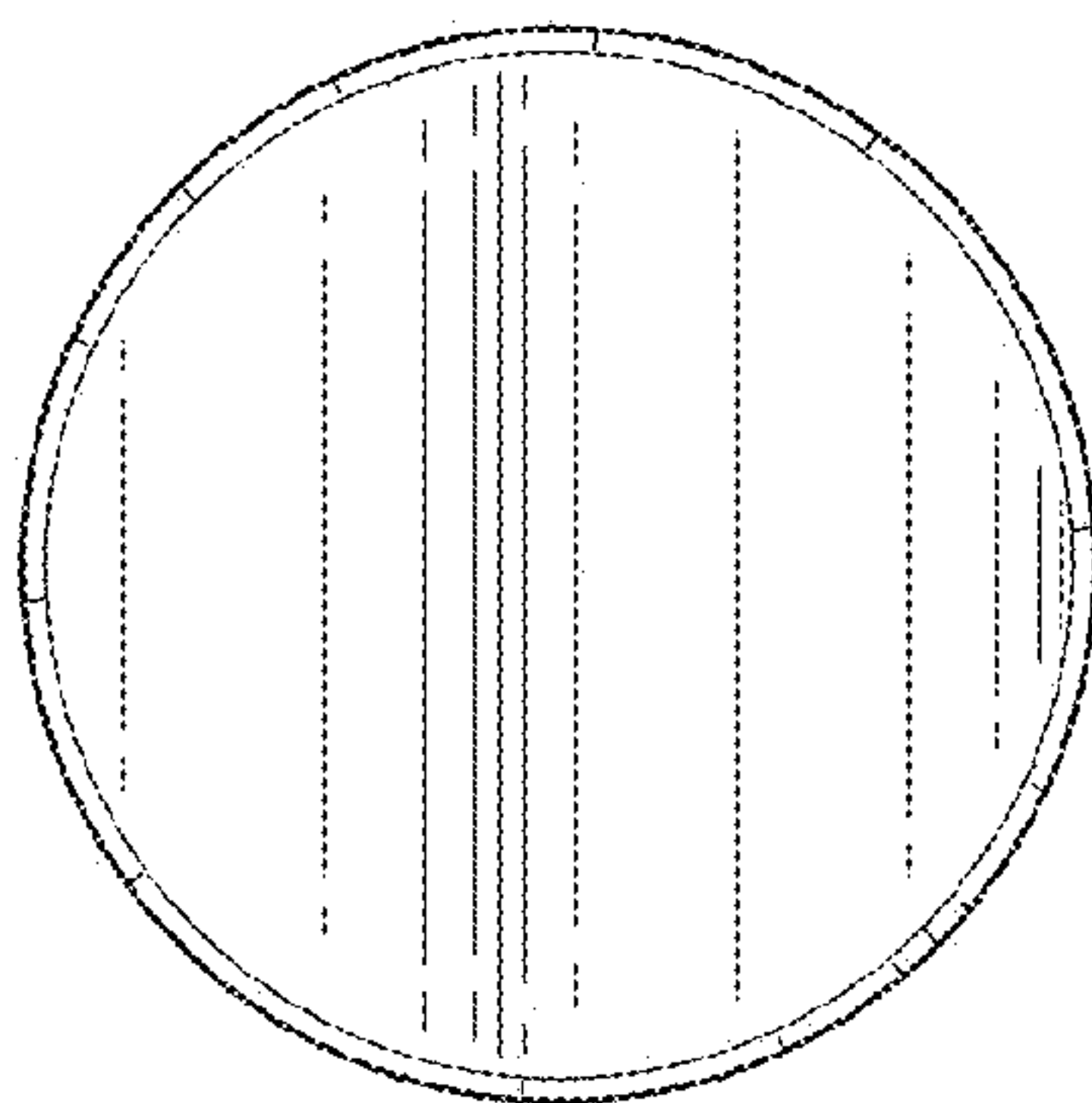


FIG. 7

