



US00D727489S

(12) **United States Design Patent**
Rohskopf et al.

(10) **Patent No.:** **US D727,489 S**

(45) **Date of Patent:** **** Apr. 21, 2015**

(54) **DRAFT INDUCER**

(71) Applicant: **US Draft Co., LLC**, Fort Worth, TX
(US)

(72) Inventors: **Thaddeus James Rohskopf**, Fort Worth,
TX (US); **Timothy Edward McNulty**,
Fort Worth, TX (US)

(73) Assignee: **US Draft Co., LLC**, Fort Worth, TX
(US)

(**) Term: **14 Years**

(21) Appl. No.: **29/449,317**

(22) Filed: **Mar. 14, 2013**

(51) **LOC (10) Cl.** **23-04**

(52) **U.S. Cl.**
USPC **D23/388**

(58) **Field of Classification Search**
USPC D23/385-395, 397, 370-373, 365, 351,
D23/354, 399-403, 421, 499; 454/309,
454/275-277, 284, 287-291, 358-363;
52/302.1, 32.07; 285/229, 189, 183,
285/123.1, 15, 114, 110, 424, 197; 165/59;
417/423.1

See application file for complete search history.

(56) **References Cited**

U.S. PATENT DOCUMENTS

2,679,972	A	6/1949	Brumme	
4,164,690	A *	8/1979	Muller et al.	318/400.41
D289,680	S *	5/1987	Heob	D23/386
D425,612	S *	5/2000	Andersen	D23/393
D461,550	S *	8/2002	Hsin-mao	D23/370
D539,408	S *	3/2007	Wu et al.	D23/370
D636,863	S *	4/2011	Isoda et al.	D23/370

8,056,933	B2 *	11/2011	Liptak	285/189
D667,536	S *	9/2012	Zengin	D23/351
D669,570	S *	10/2012	Penlesky et al.	D23/393
D669,571	S *	10/2012	Penlesky et al.	D23/393
D681,184	S *	4/2013	Romero Carreras	D23/370
D701,299	S *	3/2014	Oba	D23/370
D701,597	S *	3/2014	DeFilippis	D23/414

OTHER PUBLICATIONS

Drawing of Prior Art Utility Set Fan.
Drawing of Prior Art Belt Driven Tube Fan.
Drawing of Prior Art Bifurcated Fan.

* cited by examiner

Primary Examiner — David Muller

(74) *Attorney, Agent, or Firm* — Lathrop & Gage LLP

(57) **CLAIM**

The ornamental design for a draft inducer, as shown and described.

DESCRIPTION

FIG. 1 is a bottom perspective view of a draft inducer in accordance with the present invention.

FIG. 2 is another bottom perspective view thereof.

FIG. 3 is a top perspective view thereof.

FIG. 4 is another top perspective view thereof.

FIG. 5 is a side perspective view thereof.

FIG. 6 is a bottom plan view thereof.

FIG. 7 is a top plan view thereof.

FIG. 8 is a side elevation view thereof.

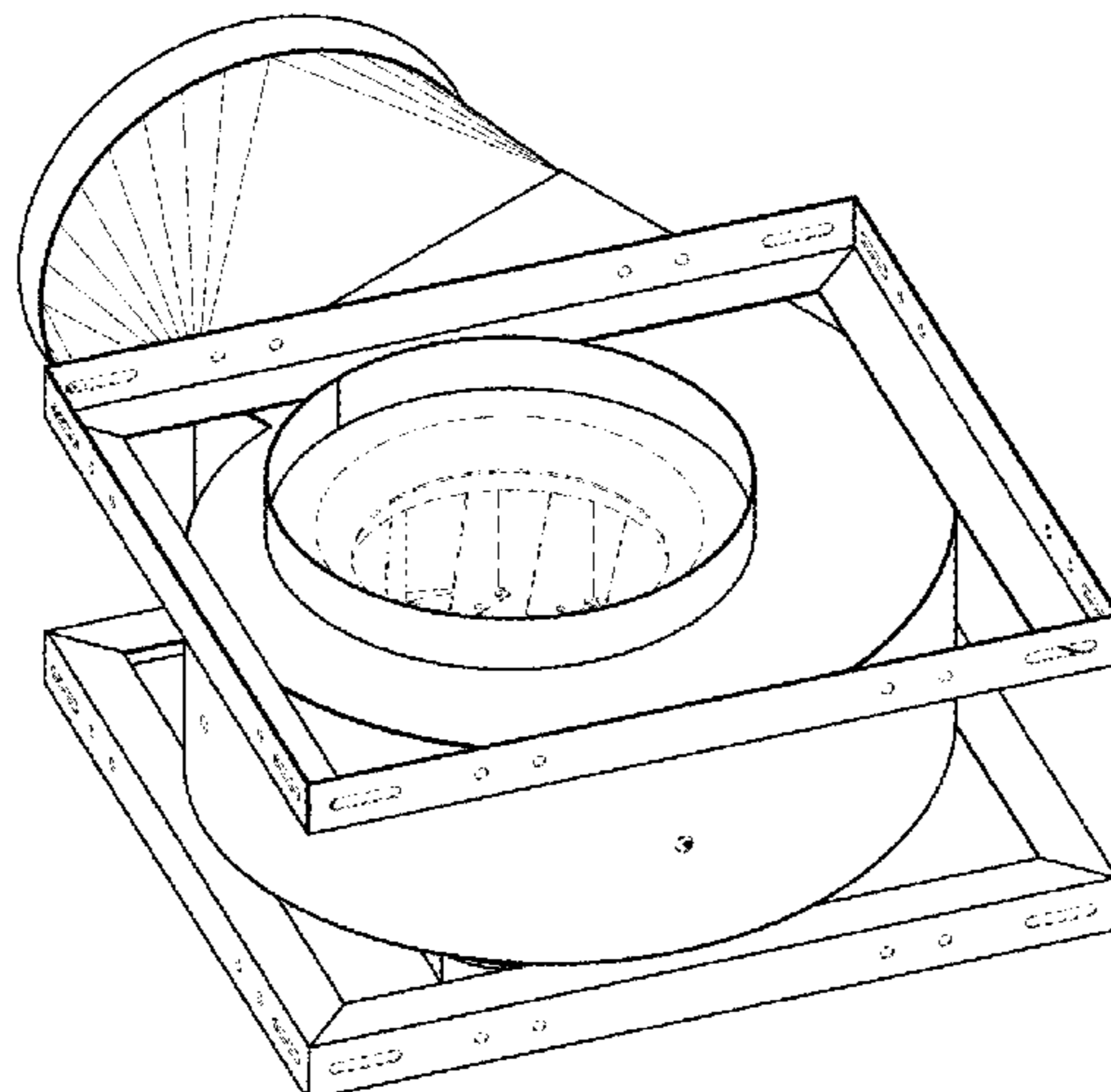
FIG. 9 is another side elevation view thereof.

FIG. 10 is another side elevation view thereof; and,

FIG. 11 is another side elevation view thereof.

All of the broken lines in the accompanying drawings illustrate environmental structure and form no part of the claimed design.

1 Claim, 6 Drawing Sheets



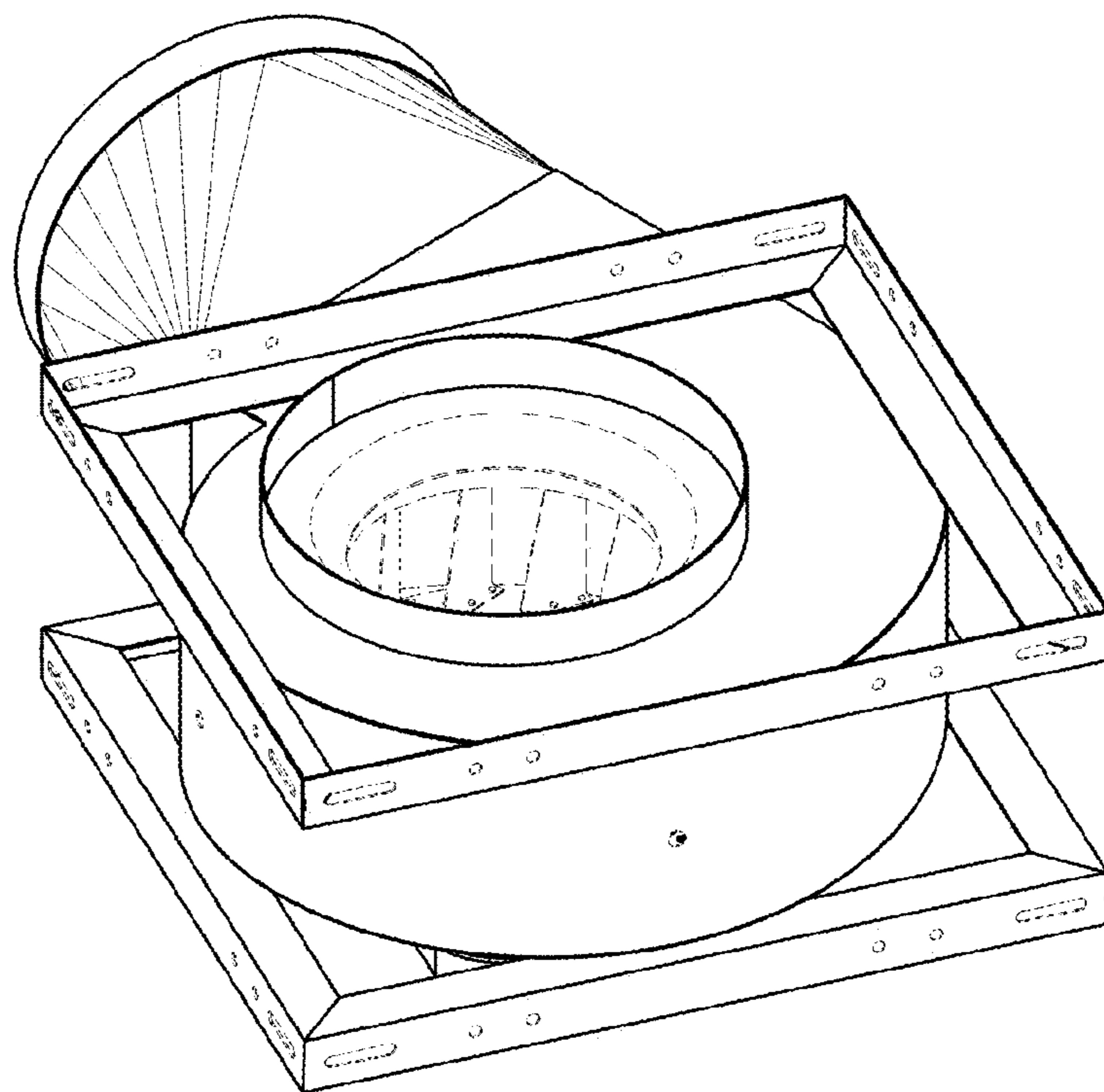


FIG. 1

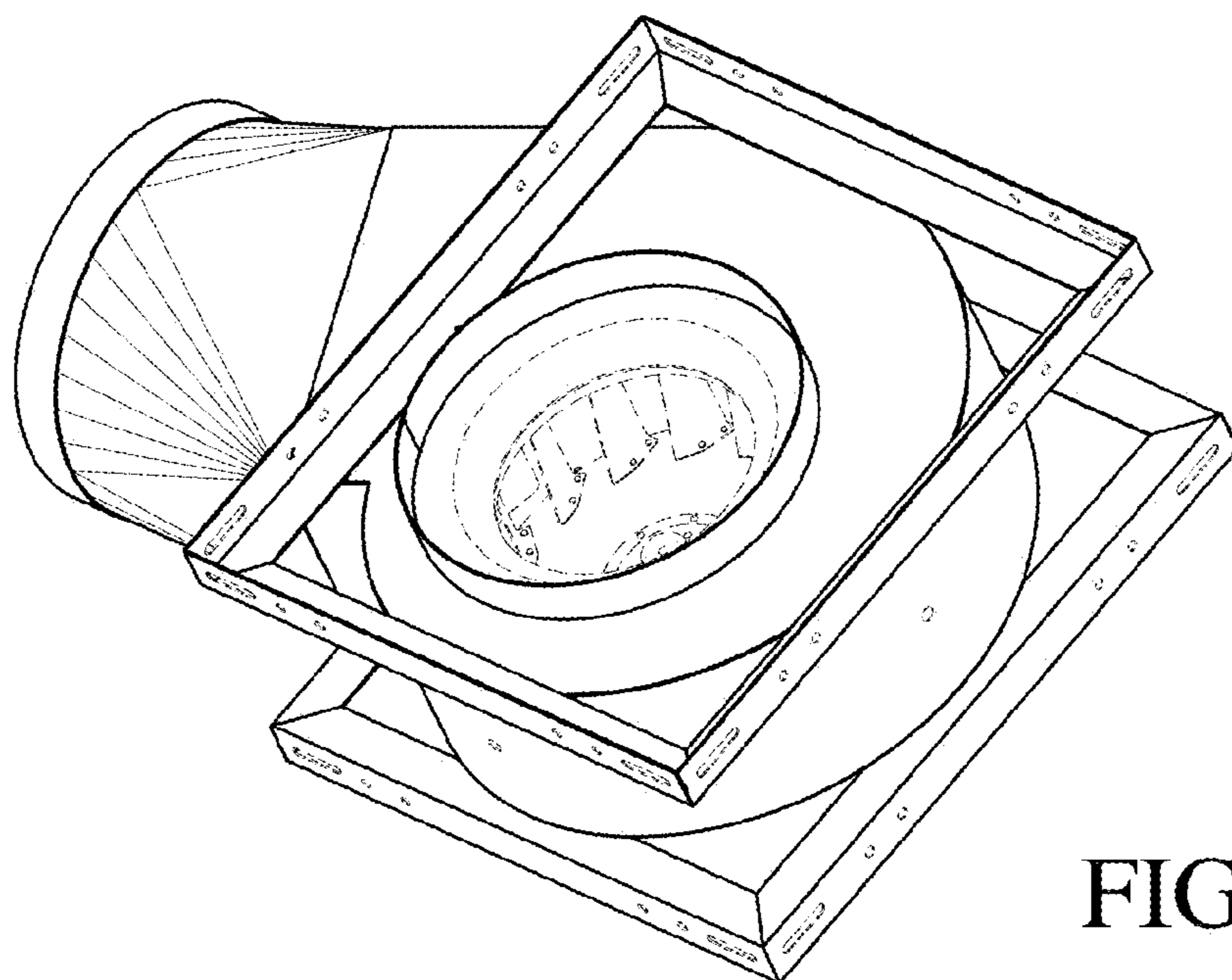


FIG. 2

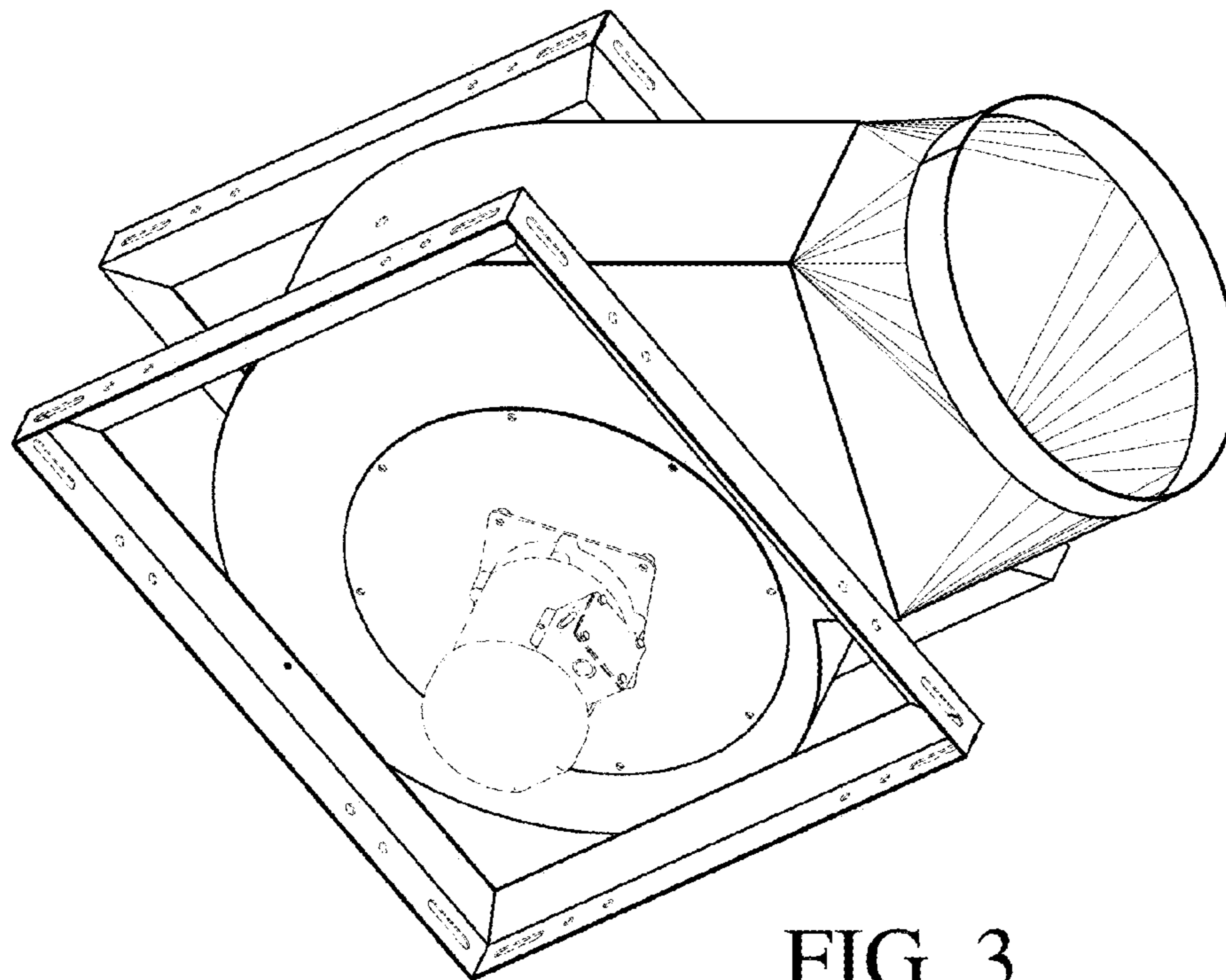


FIG. 3

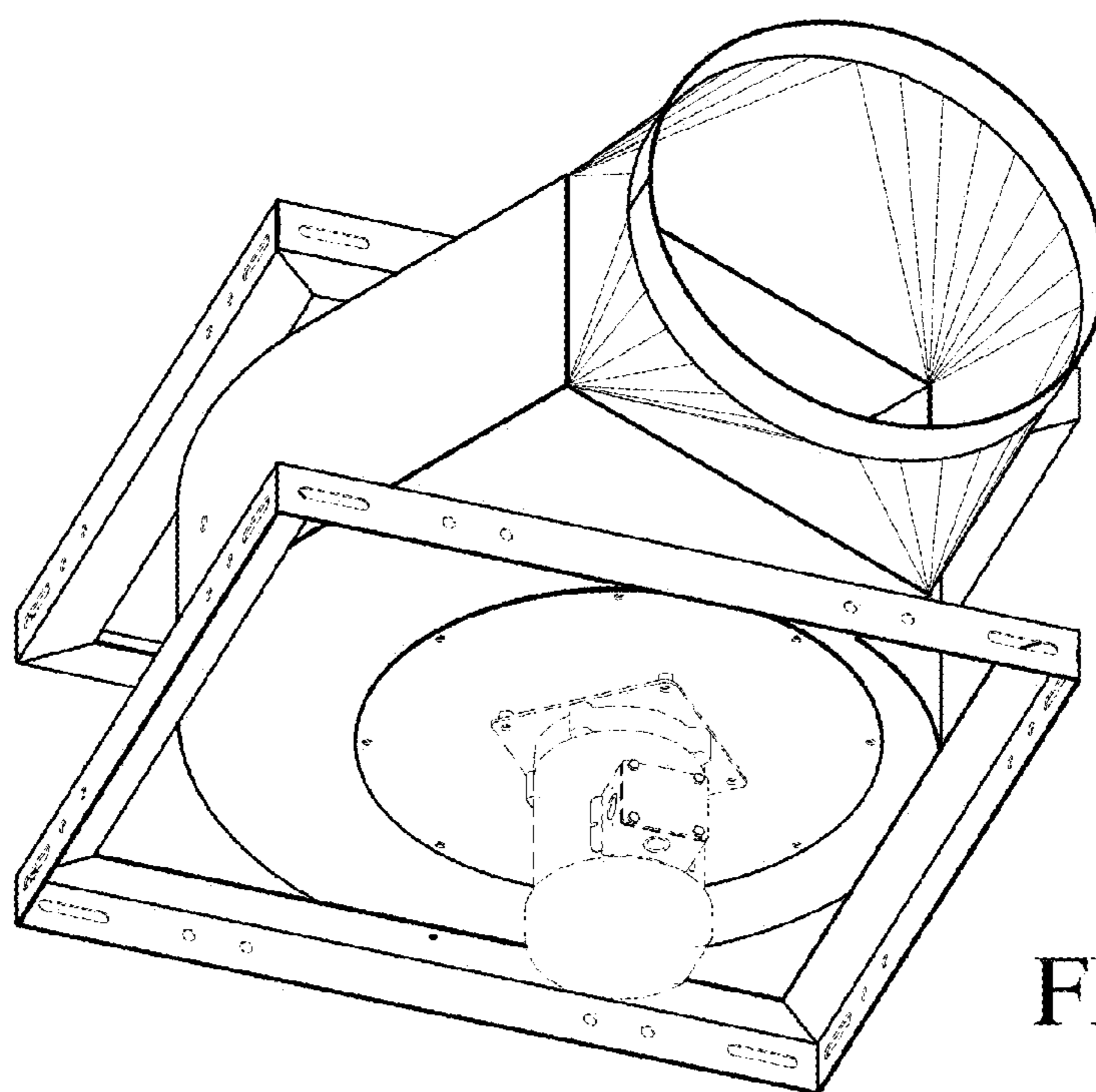


FIG. 4

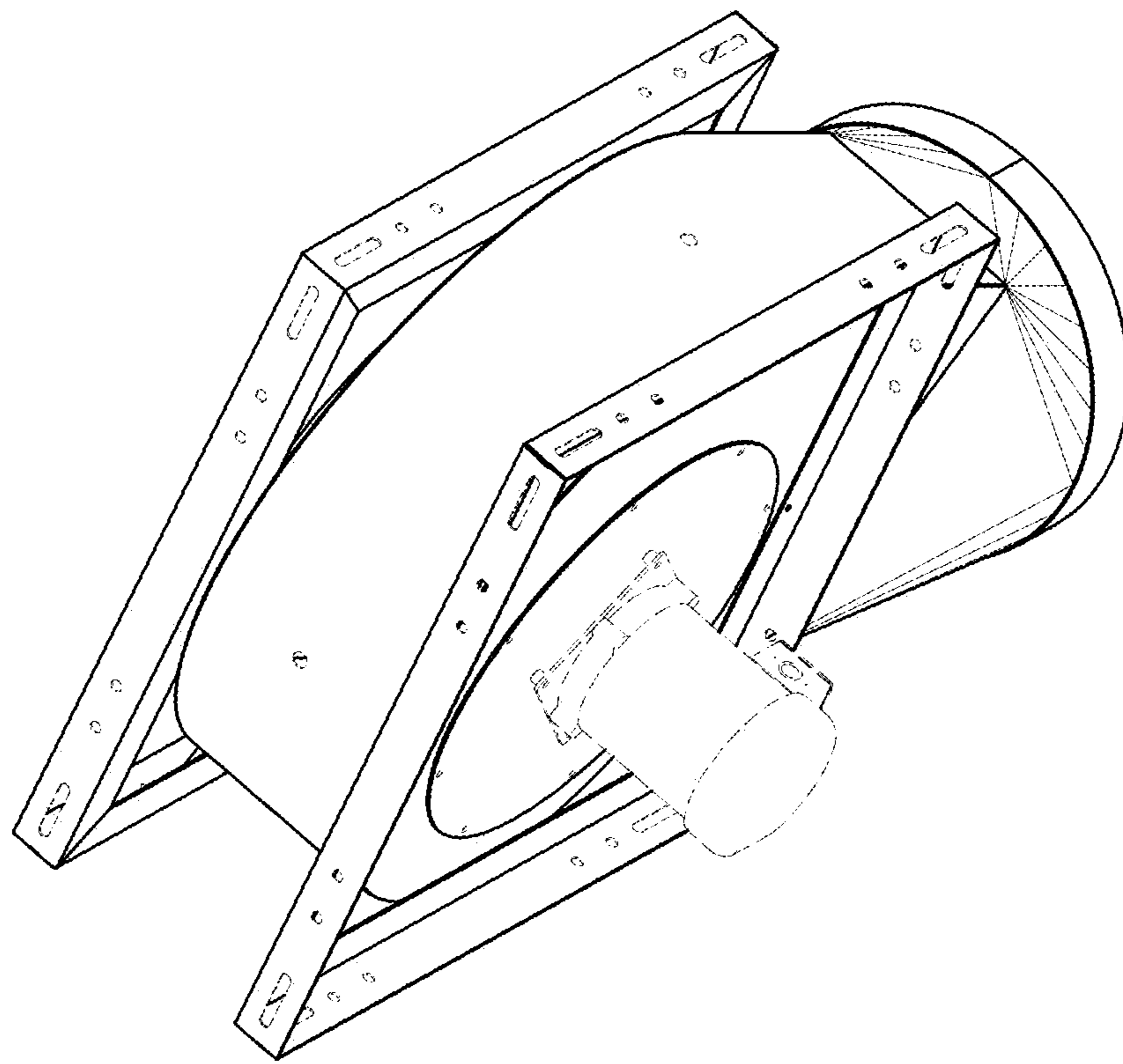


FIG. 5

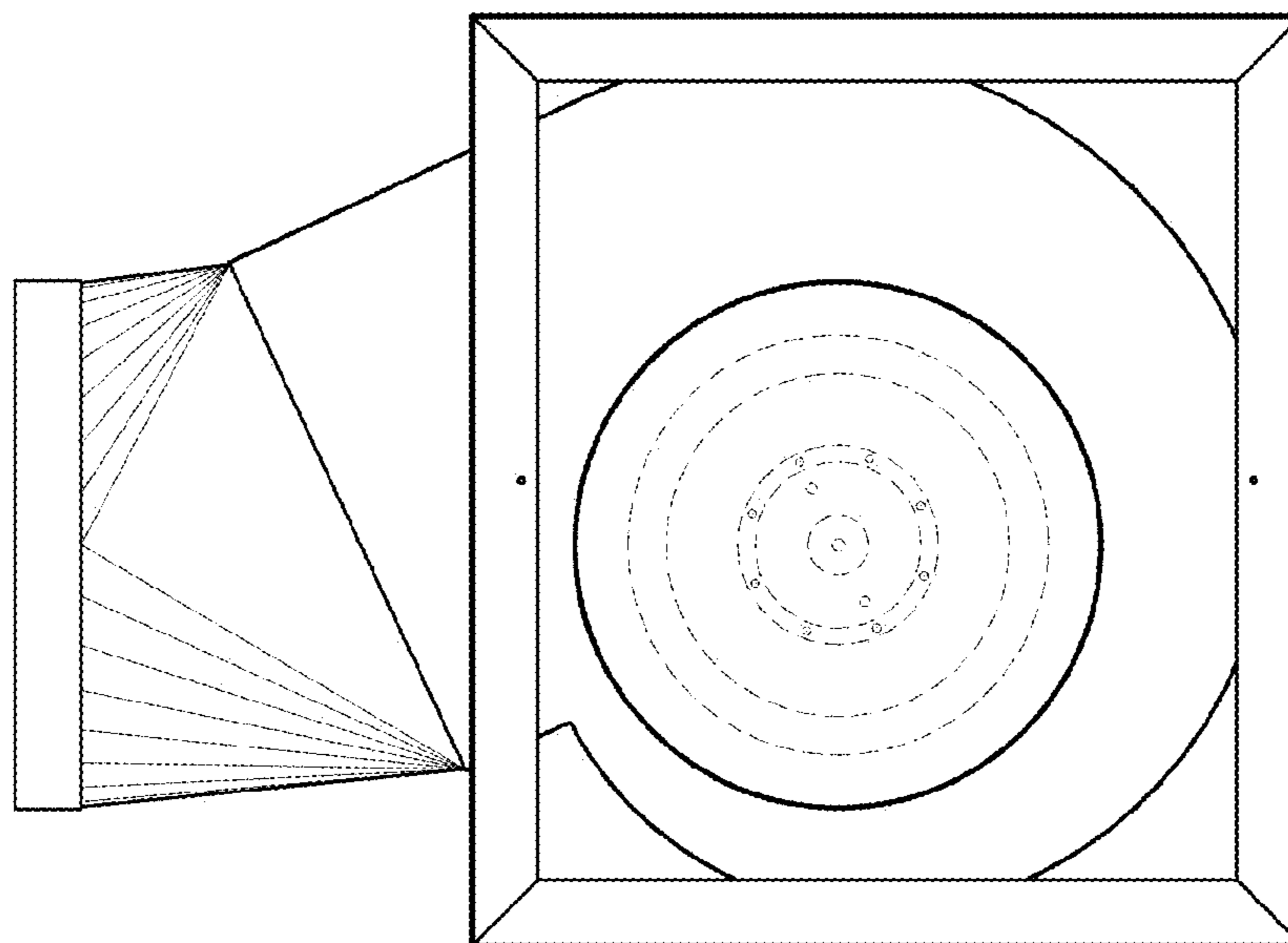


FIG. 6

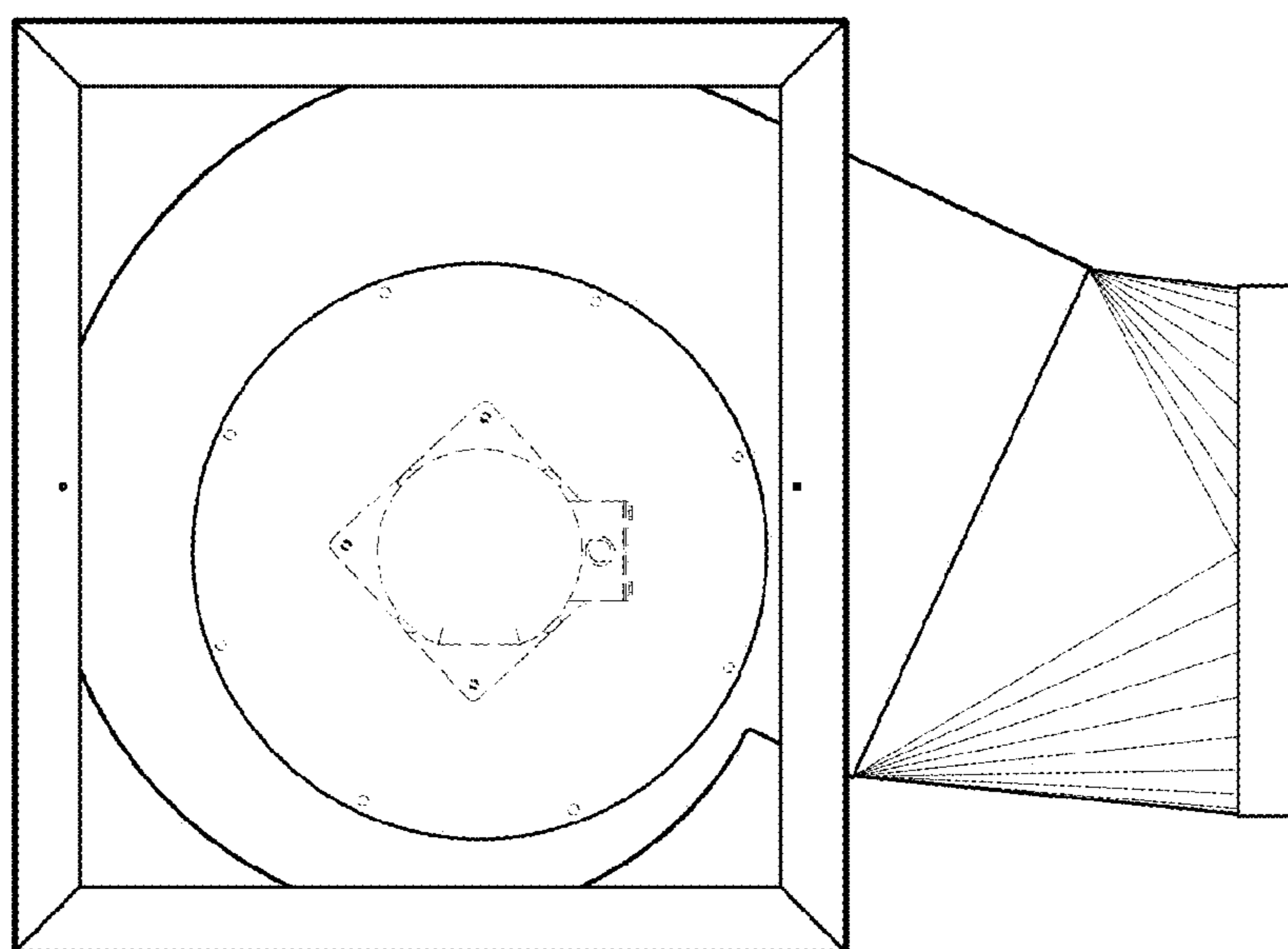


FIG. 7

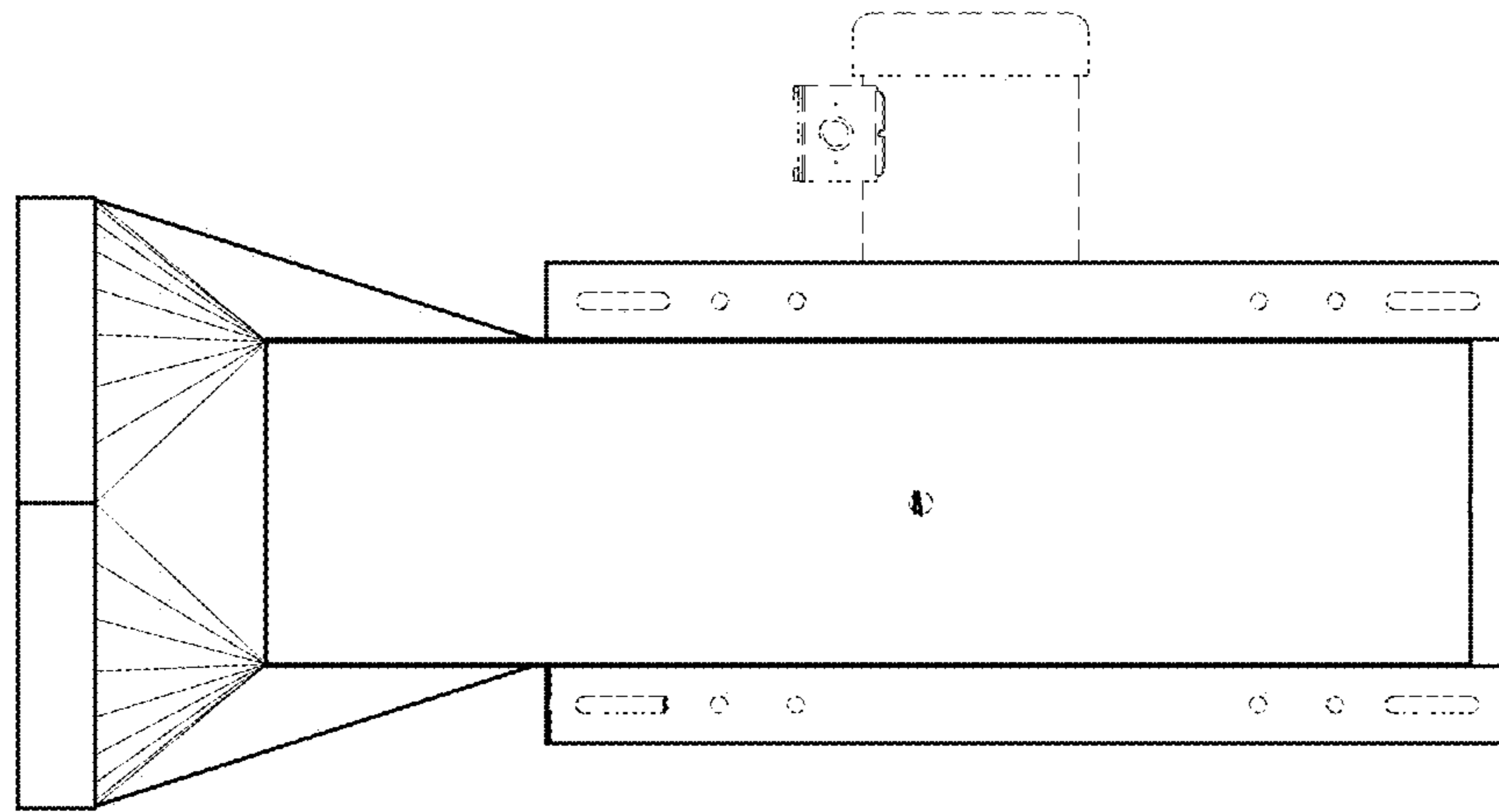


FIG. 8

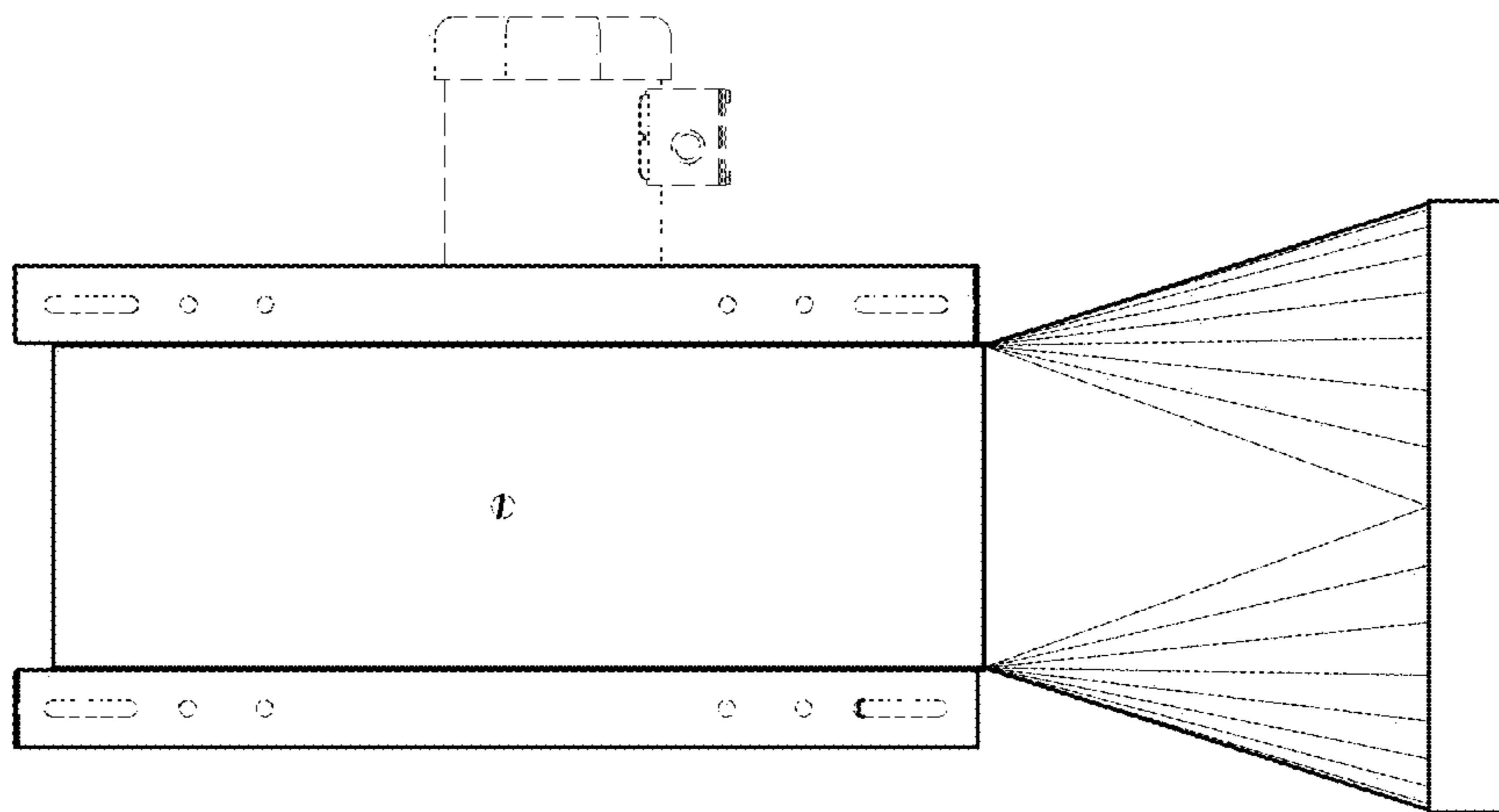


FIG. 9

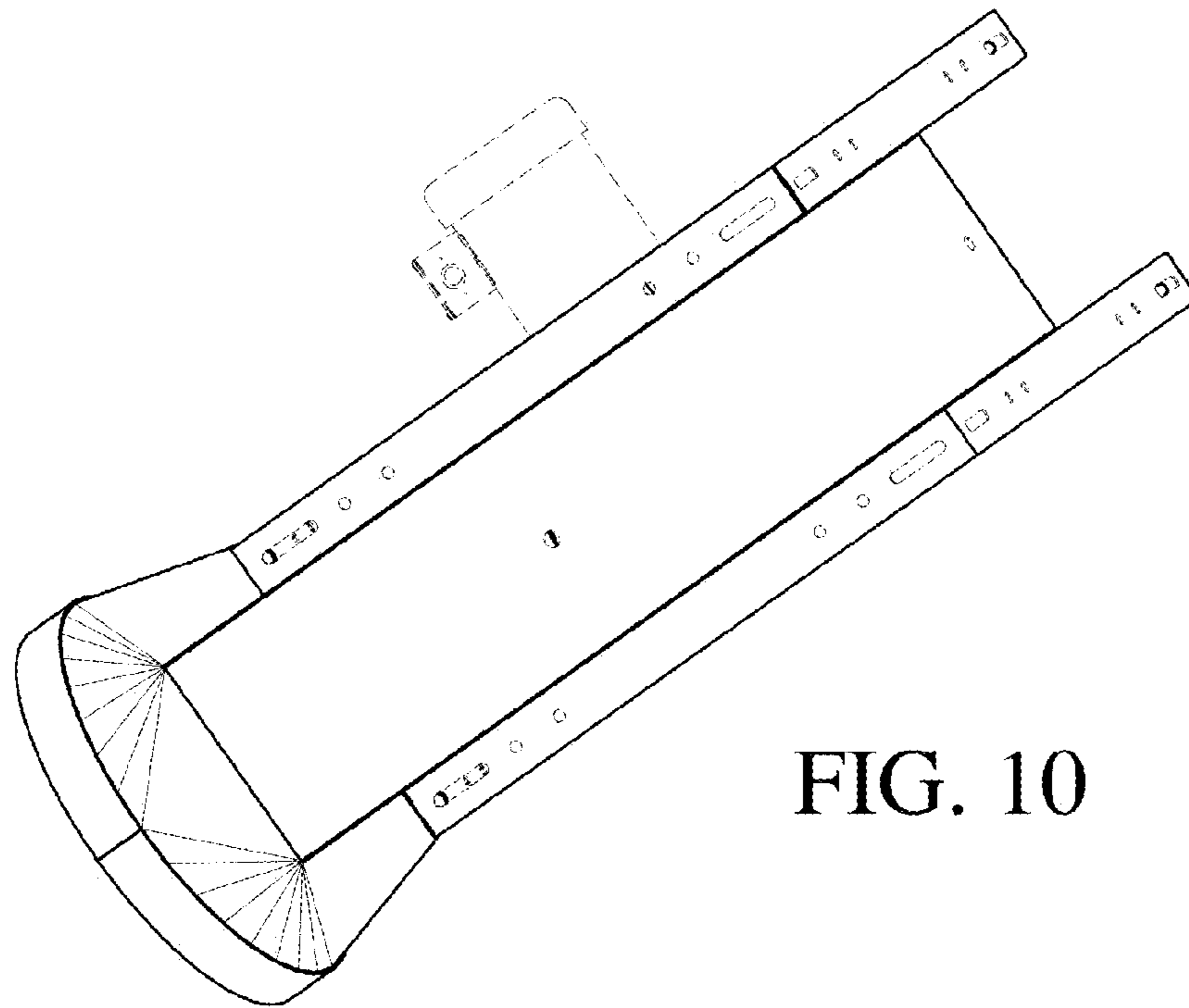


FIG. 10

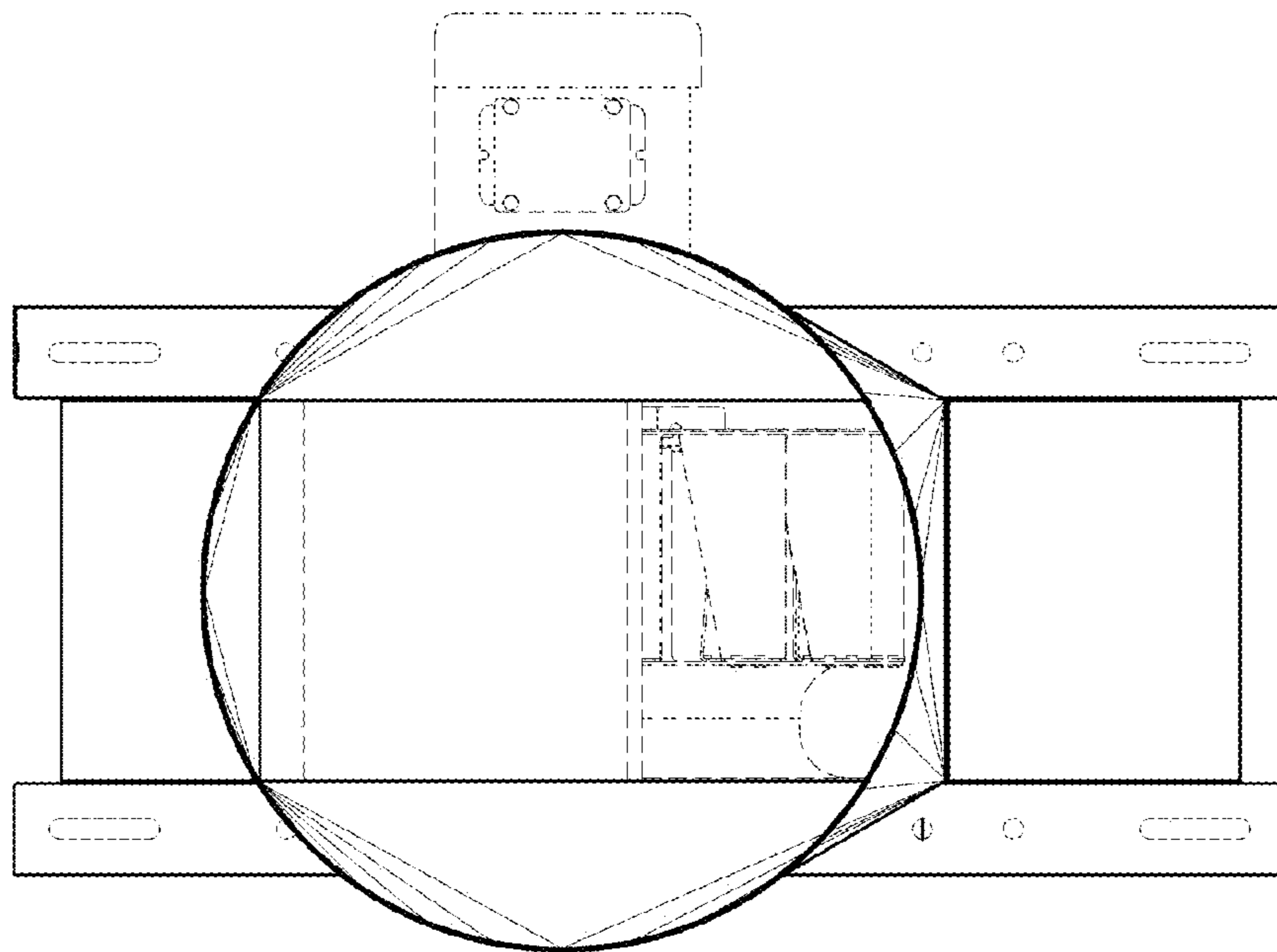


FIG. 11