



US00D727488S

(12) **United States Design Patent**  
**Hsu**

(10) **Patent No.:** **US D727,488 S**  
(45) **Date of Patent:** **\*\* Apr. 21, 2015**

(54) **DESK FAN**

(71) Applicant: **Ching-Feng Hsu**, New Taipei (TW)

(72) Inventor: **Ching-Feng Hsu**, New Taipei (TW)

(\*\*) Term: **14 Years**

(21) Appl. No.: **29/469,403**

(22) Filed: **Oct. 9, 2013**

(51) **LOC (10) Cl.** ..... **23-04**

(52) **U.S. Cl.**  
USPC ..... **D23/382**

(58) **Field of Classification Search**

CPC ... F04D 25/084; F04D 29/601; F04D 29/388;  
F04D 29/4226  
USPC ..... D23/380–385, 328, 332, 333, 335–337,  
D23/353–369, 370–379, 397, 411, 499;  
D9/526, 689–693; 392/365–369, 373,  
392/374, 382, 383; 415/53.1–53.3; 416/62,  
416/63, 100, 244 R, 246, 247 R; 417/200  
See application file for complete search history.

(56) **References Cited**

**U.S. PATENT DOCUMENTS**

D178,308 S *	7/1956	Mersmann	.....	D23/379
D182,209 S *	2/1958	Stanley	.....	D23/412
D239,388 S *	3/1976	Larkfeldt et al.	.....	D23/387
D291,352 S *	8/1987	Kouno et al.	.....	D23/378
D313,468 S *	1/1991	Chaney	.....	D23/412
D314,428 S *	2/1991	Wang	.....	D23/378
D315,018 S *	2/1991	Wang	.....	D23/382
D316,599 S *	4/1991	Wang	.....	D23/378
D336,512 S *	6/1993	Cunning	.....	D23/411
5,304,040 A *	4/1994	Wang	.....	416/247 R
5,609,473 A *	3/1997	Litvin	.....	416/246
D387,422 S *	12/1997	Radtke et al.	.....	D23/328
D398,983 S *	9/1998	Keller et al.	.....	D23/382
D413,660 S *	9/1999	Lee	.....	D23/332
D414,550 S *	9/1999	Bloom	.....	D23/328
D432,227 S *	10/2000	Lozzio et al.	.....	D23/411
D433,117 S *	10/2000	Wolfe	.....	D23/411
6,244,823 B1 *	6/2001	Marino et al.	.....	416/246
6,533,551 B2 *	3/2003	Escobar et al.	.....	416/244 R

D544,595 S *	6/2007	Kung	.....	D23/382
D669,164 S *	10/2012	Hsu	.....	D23/411
D681,799 S *	5/2013	Pan	.....	D23/412
D685,459 S *	7/2013	Pan	.....	D23/411
D691,256 S *	10/2013	Pan	.....	D23/411
D692,996 S *	11/2013	Alexander	.....	D23/370
D693,453 S *	11/2013	Alexander	.....	D23/412
D699,834 S *	2/2014	Pan	.....	D23/412
D707,344 S *	6/2014	Wang	.....	D23/411
2008/0069694 A1 *	3/2008	Hernandez et al.	.....	416/63
2011/0268567 A1 *	11/2011	Ching	.....	415/213.1
2012/0014785 A1 *	1/2012	Chen	.....	415/182.1
2012/0051884 A1 *	3/2012	Junkel et al.	.....	415/90

**OTHER PUBLICATIONS**

Desk Fans (Design -© Questel). orbit.com [online PDF] 8 pages. Uploaded range 2013-2014 [retrieved on Nov. 18, 2014]. Retrieved from Internet: <<http://sobjprd.questel.fr/export/QPTUJ214/pdf2/c04e09e5-9b01-4eaa-8894-4047e8a582f7-170615.pdf>>.\*

\* cited by examiner

*Primary Examiner* — Susan Bennett Hattan

*Assistant Examiner* — Marie Fast Horse

(74) *Attorney, Agent, or Firm* — patenttm.us

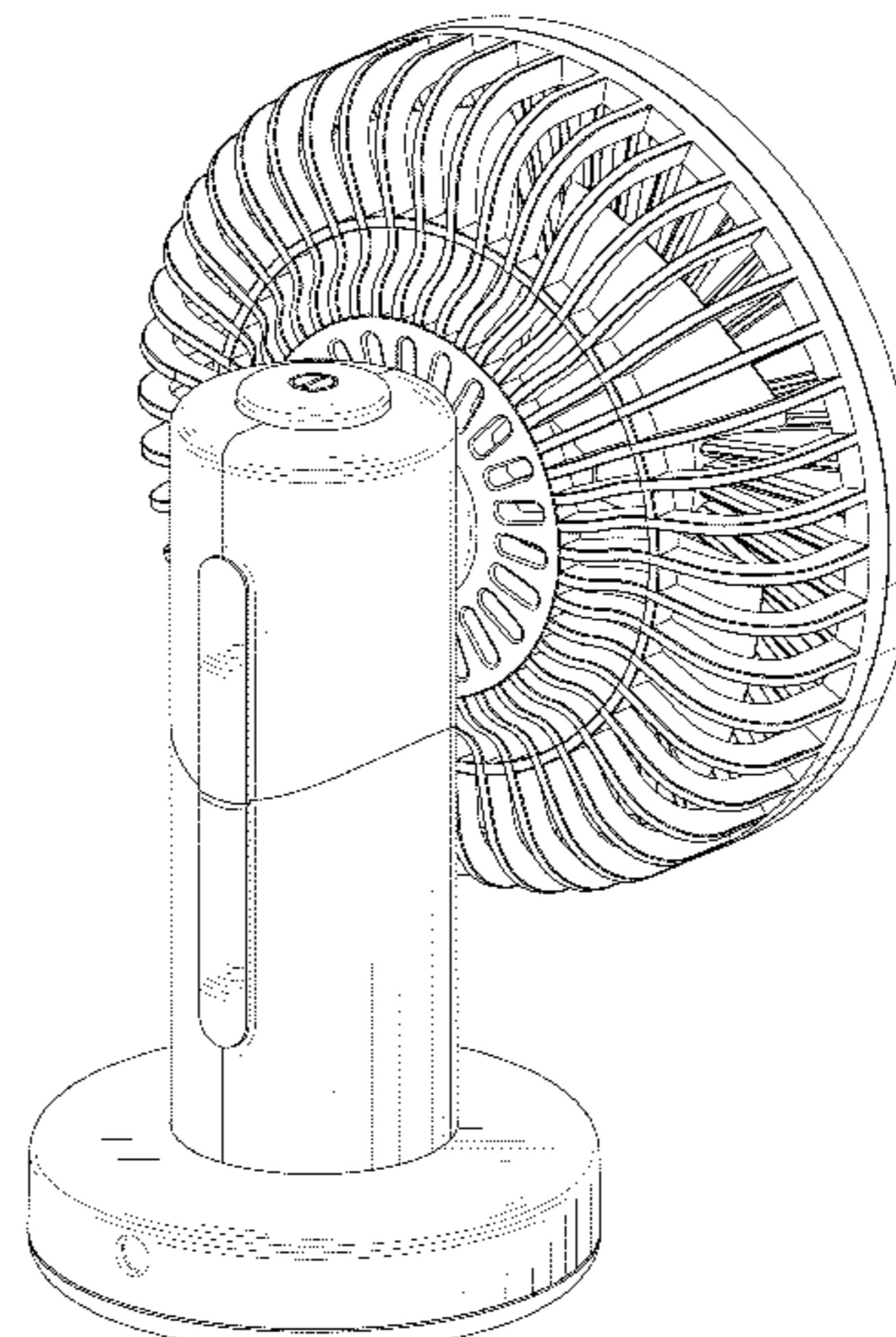
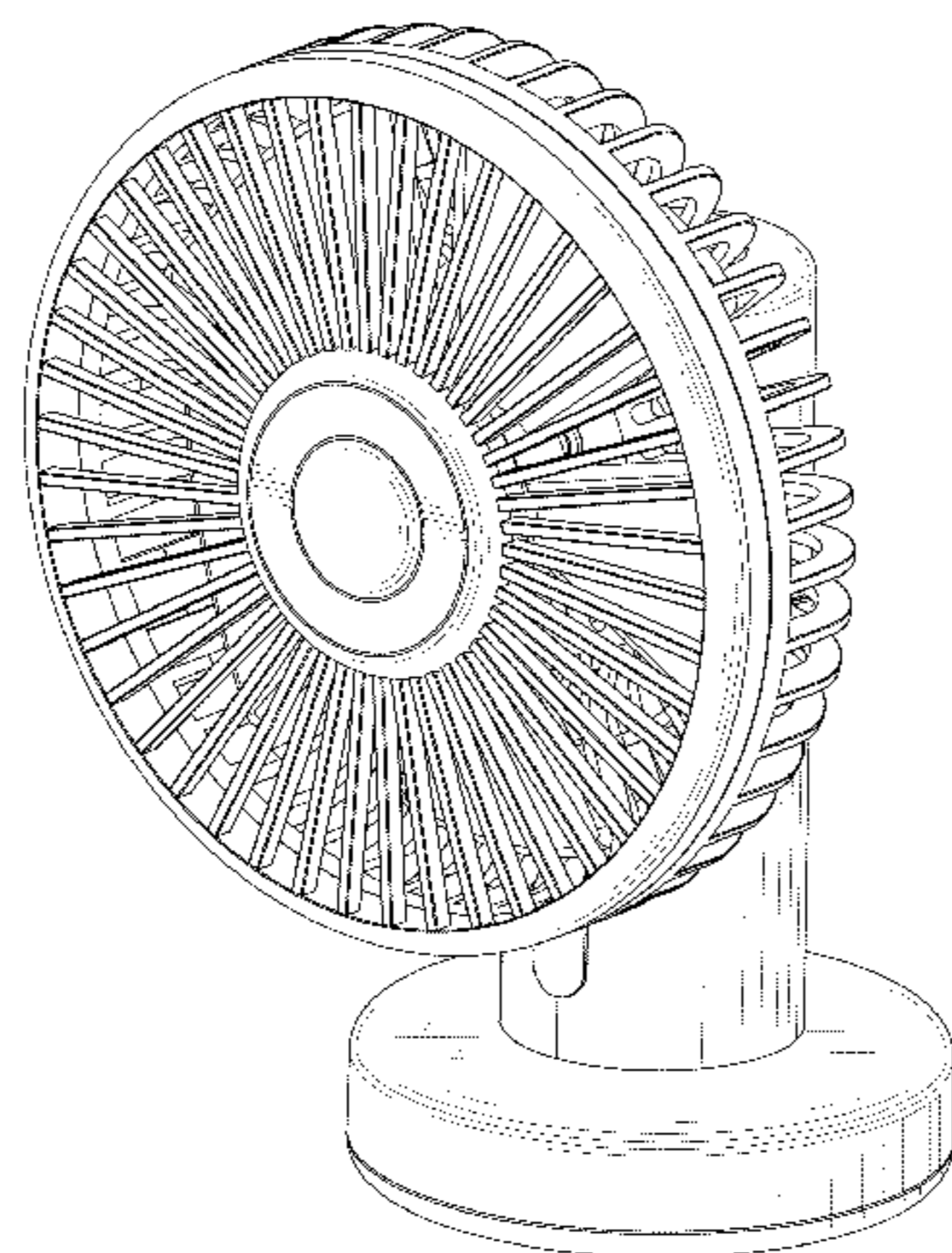
(57) **CLAIM**

The ornamental design for a desk fan, as shown and described.

**DESCRIPTION**

FIG. 1 is a perspective view of a desk fan showing my new design;  
FIG. 2 is a front view thereof;  
FIG. 3 is a rear view thereof;  
FIG. 4 is a left side view thereof;  
FIG. 5 is a right side view thereof;  
FIG. 6 is a top view thereof;  
FIG. 7 is a bottom view thereof; and,  
FIG. 8 is another perspective view thereof.  
The broken lines depict parts of the desk fan that form no part of the claimed design.

**1 Claim, 7 Drawing Sheets**



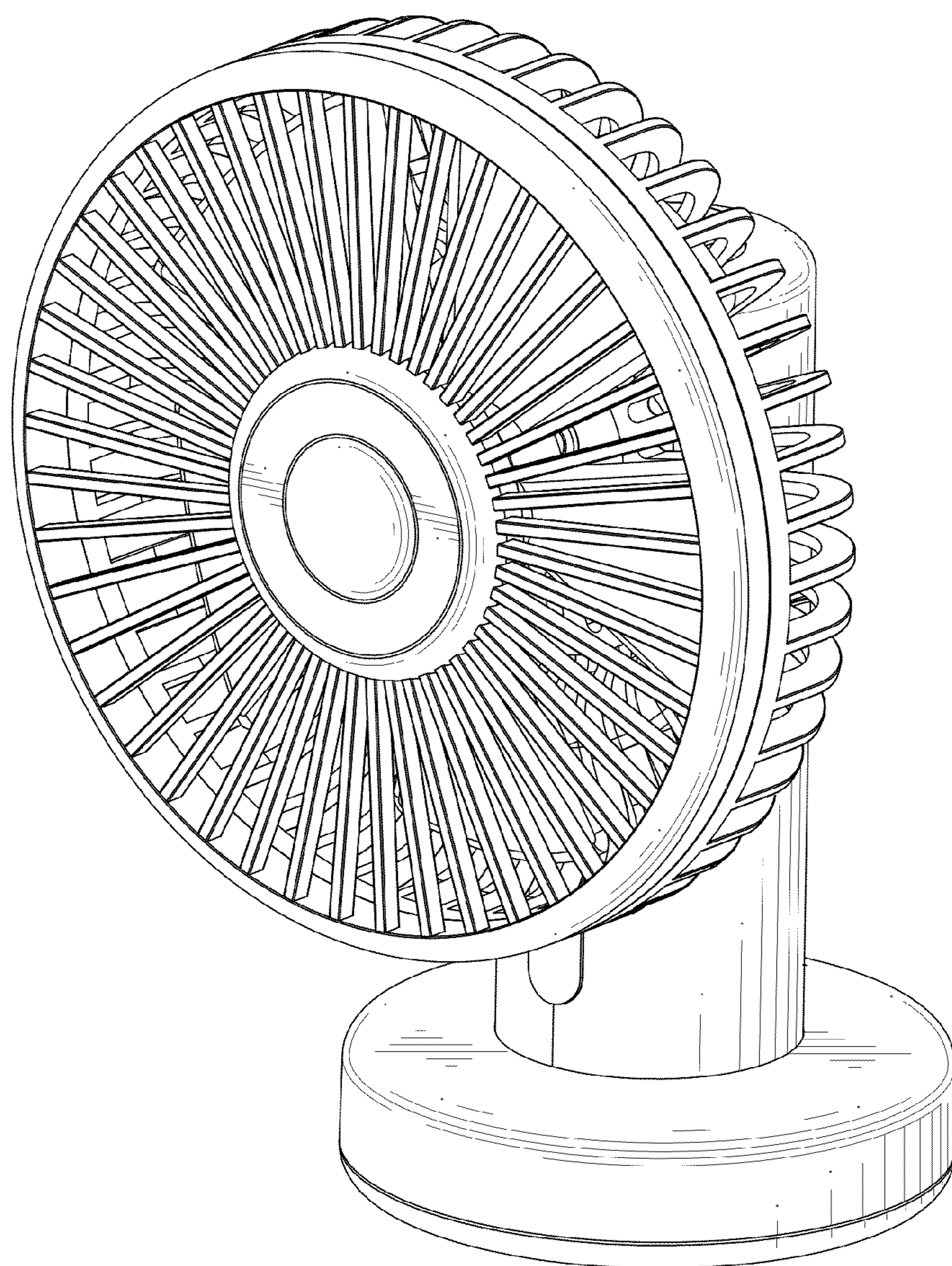


FIG.1

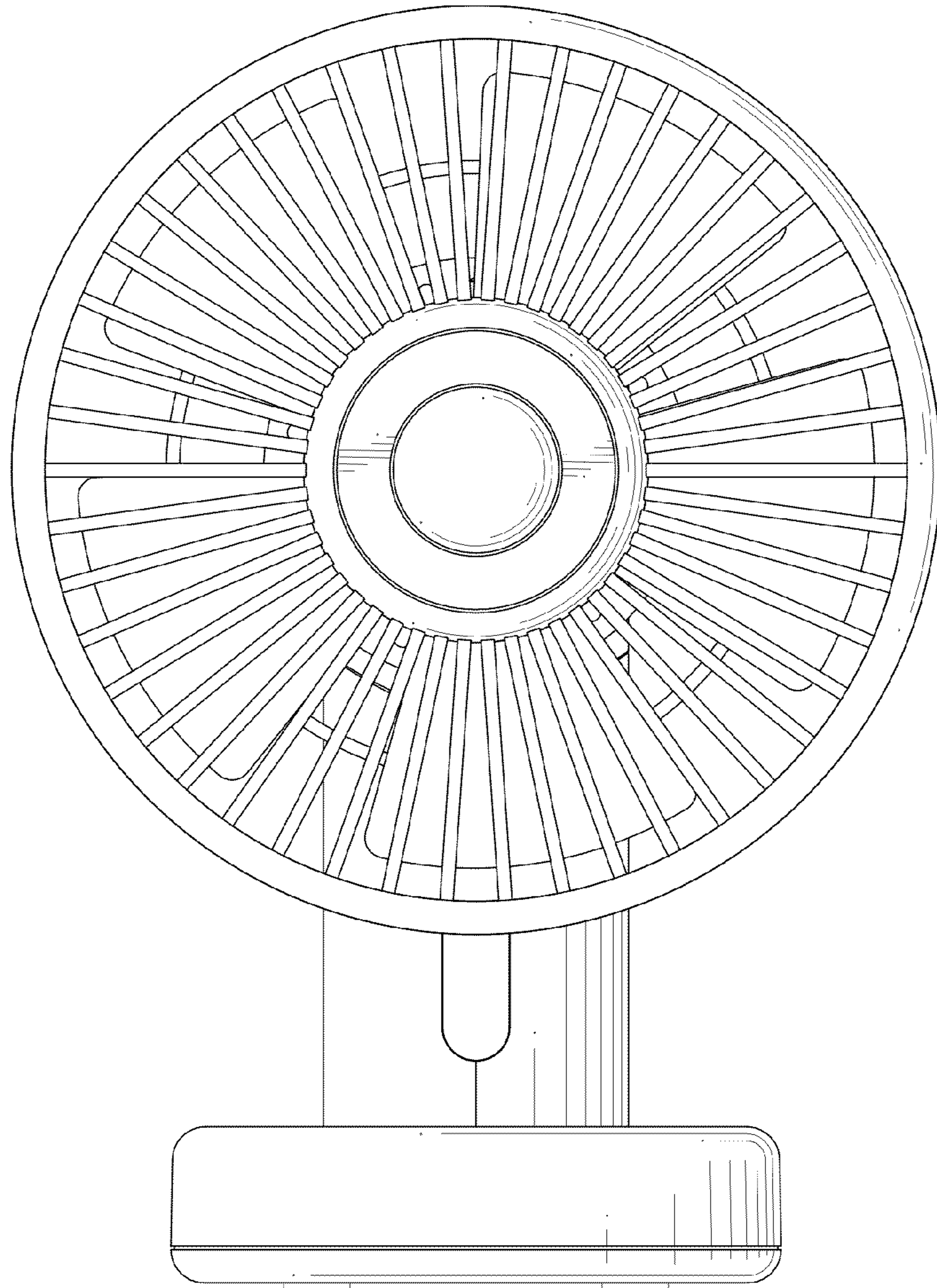


FIG.2

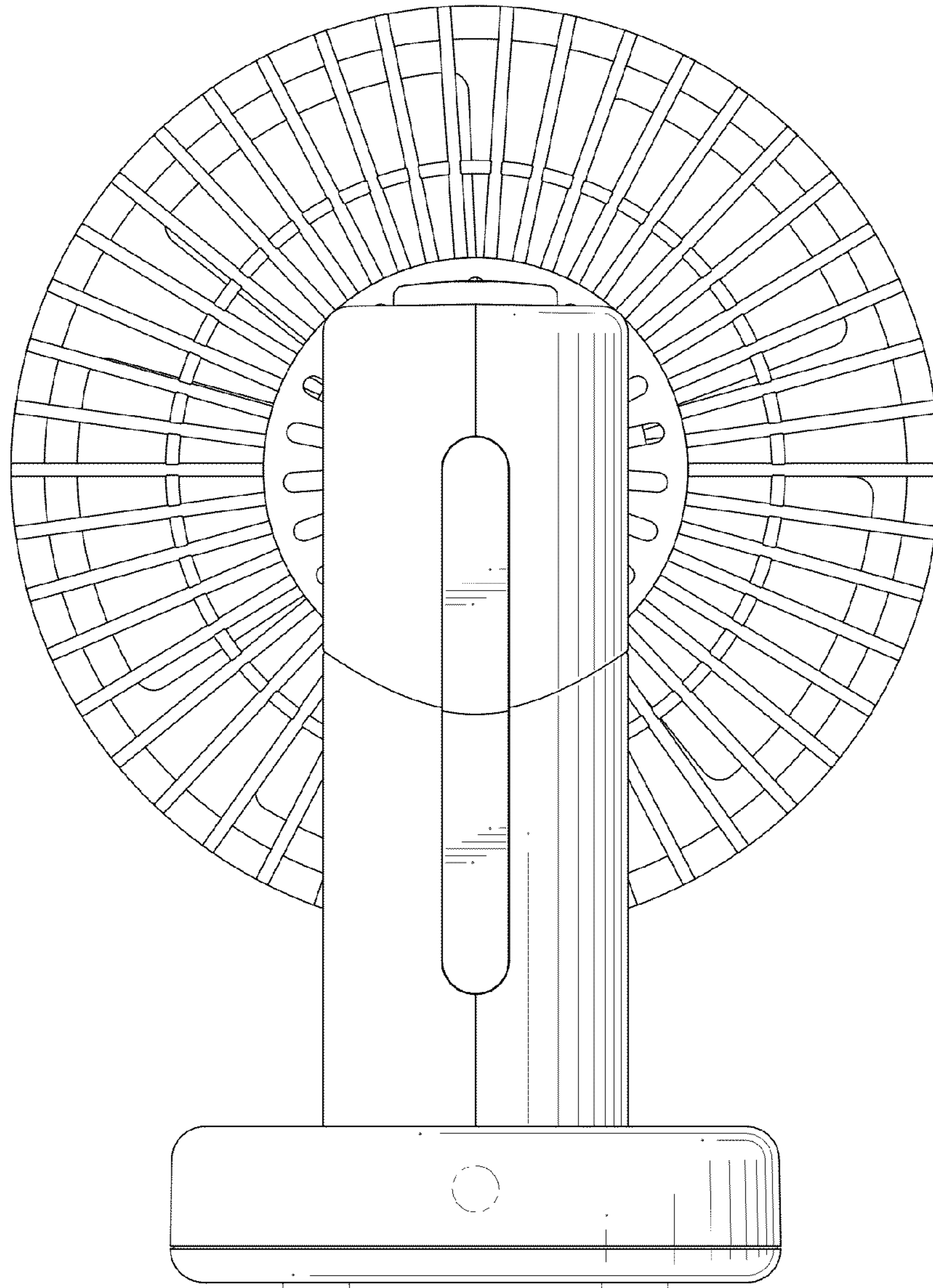


FIG.3

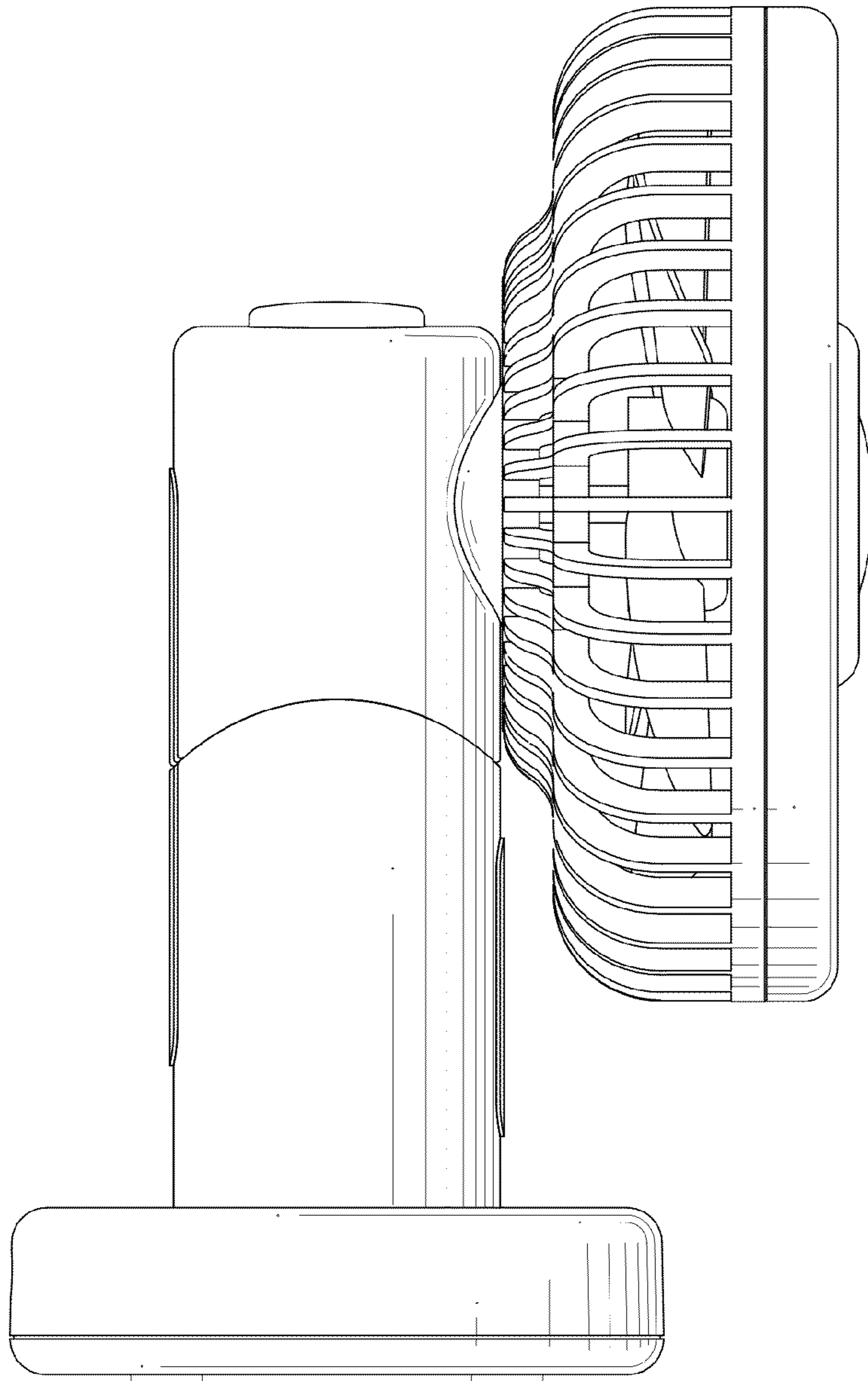


FIG.4

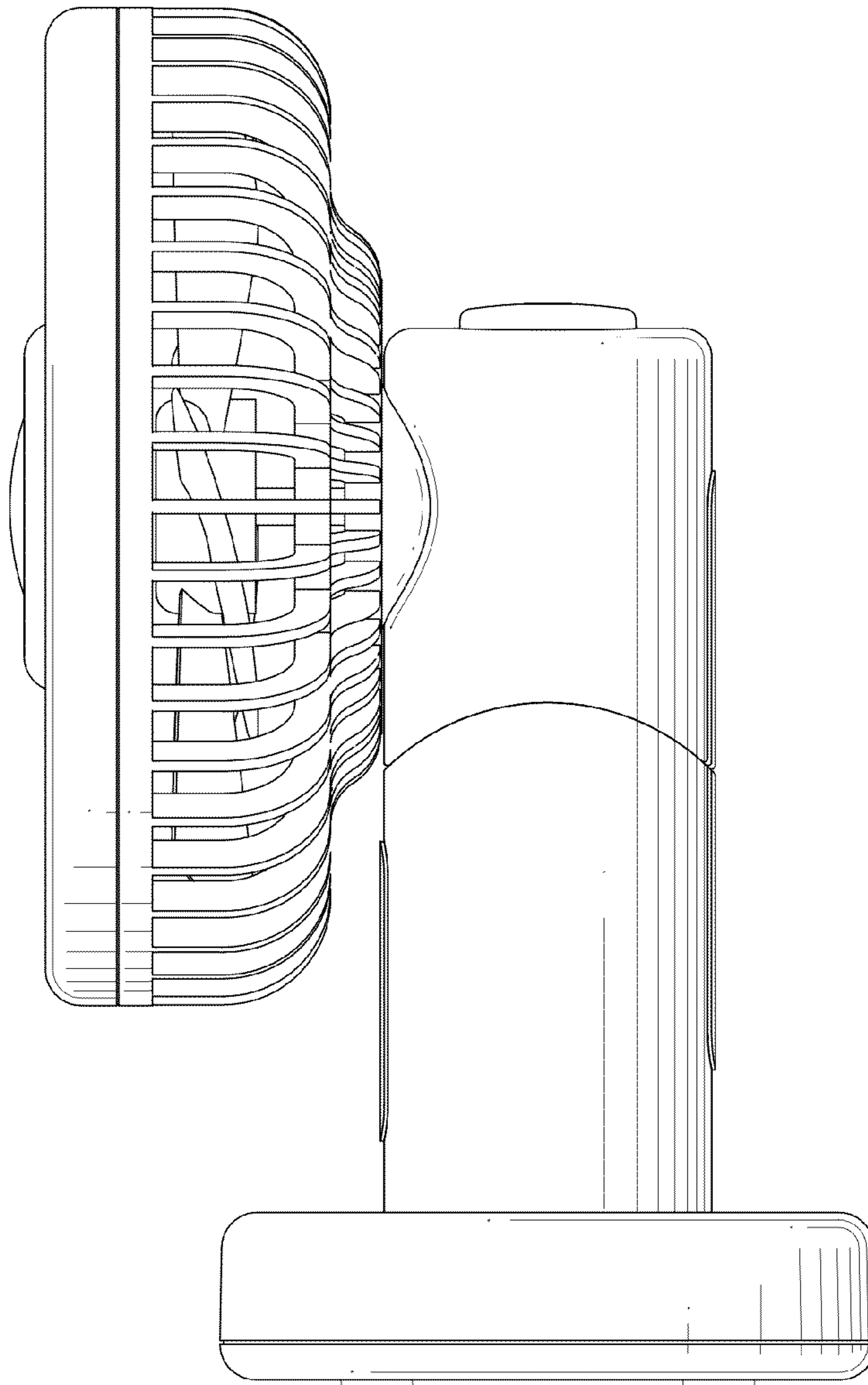


FIG.5

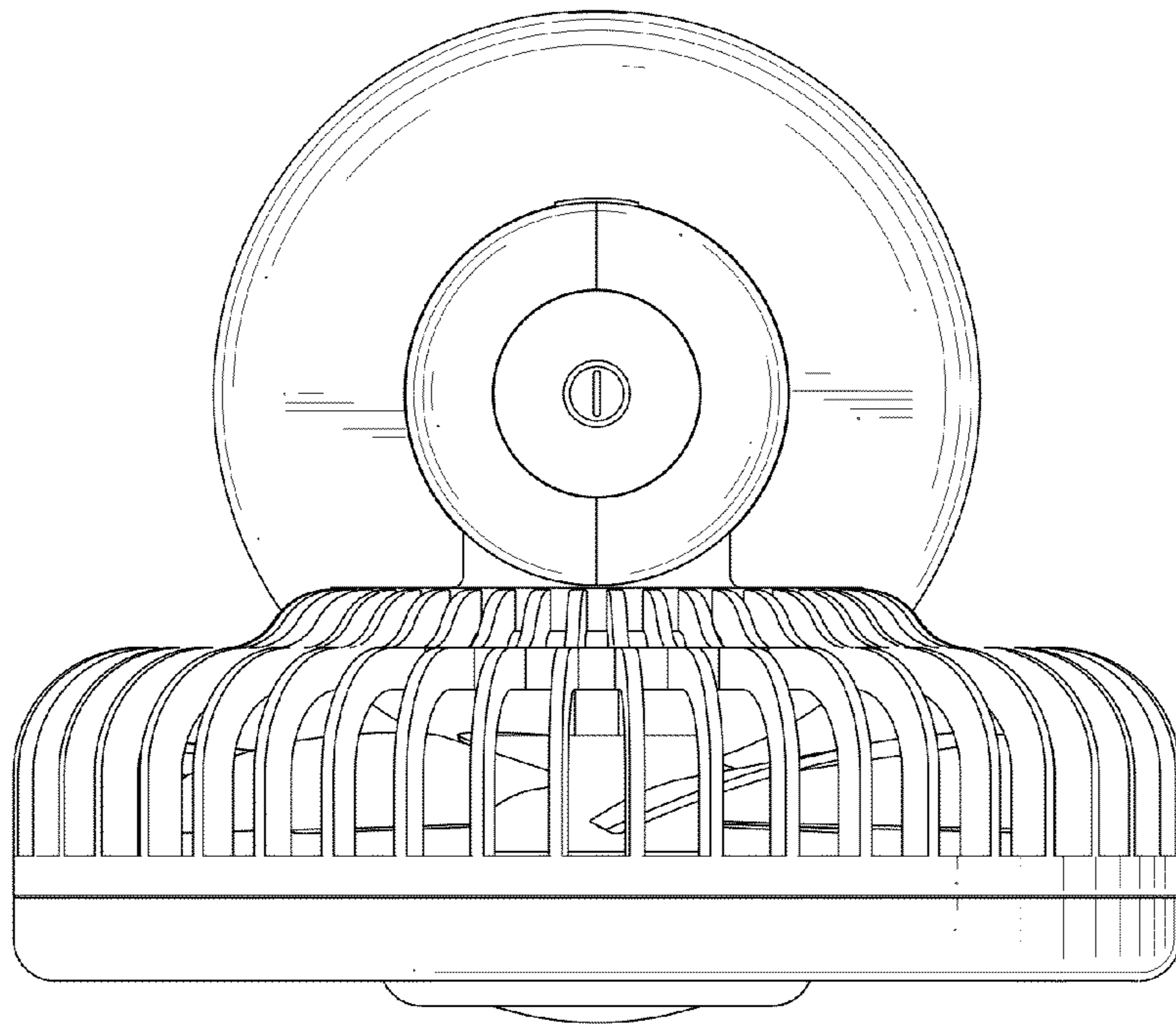


FIG.6

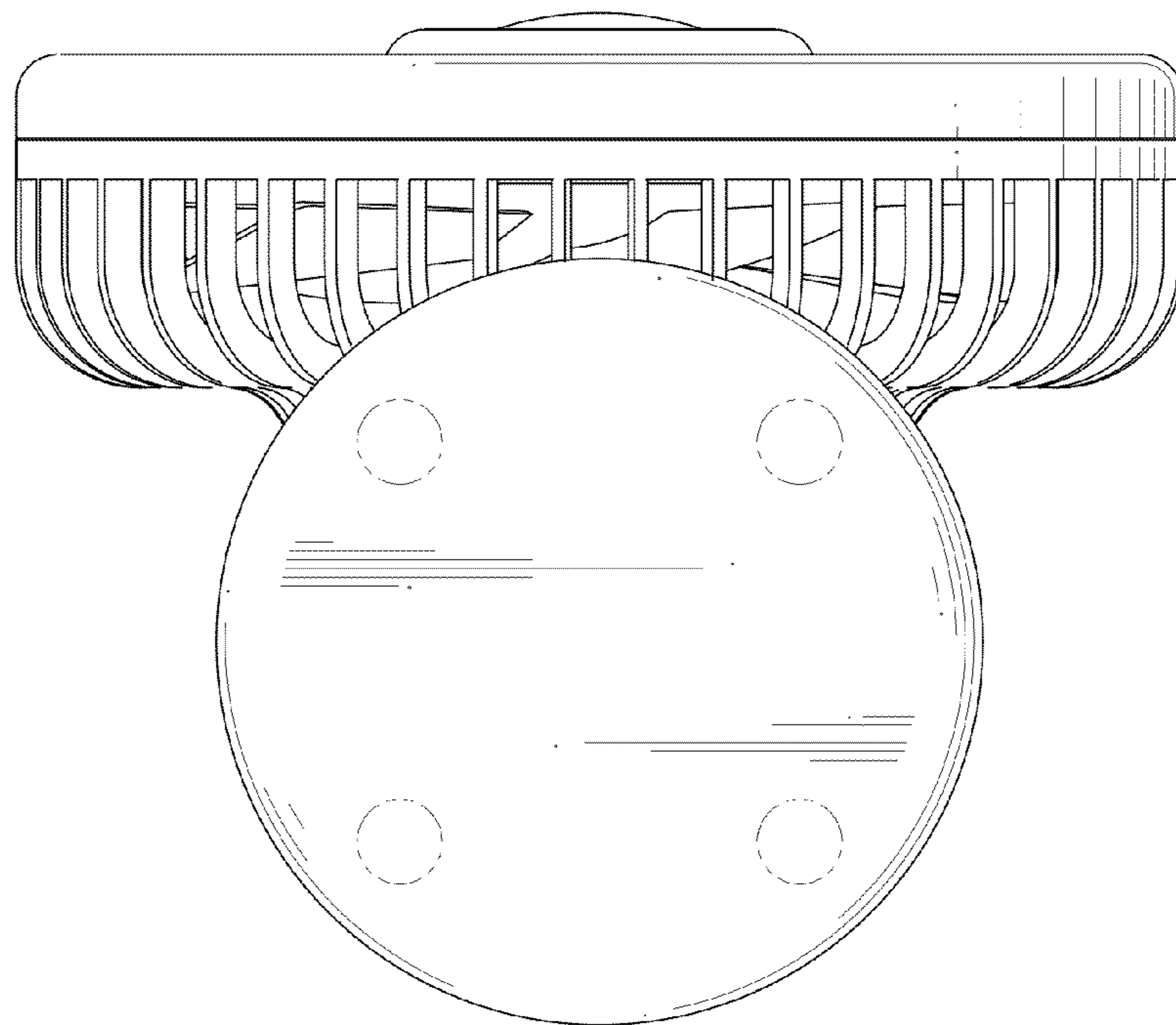


FIG.7

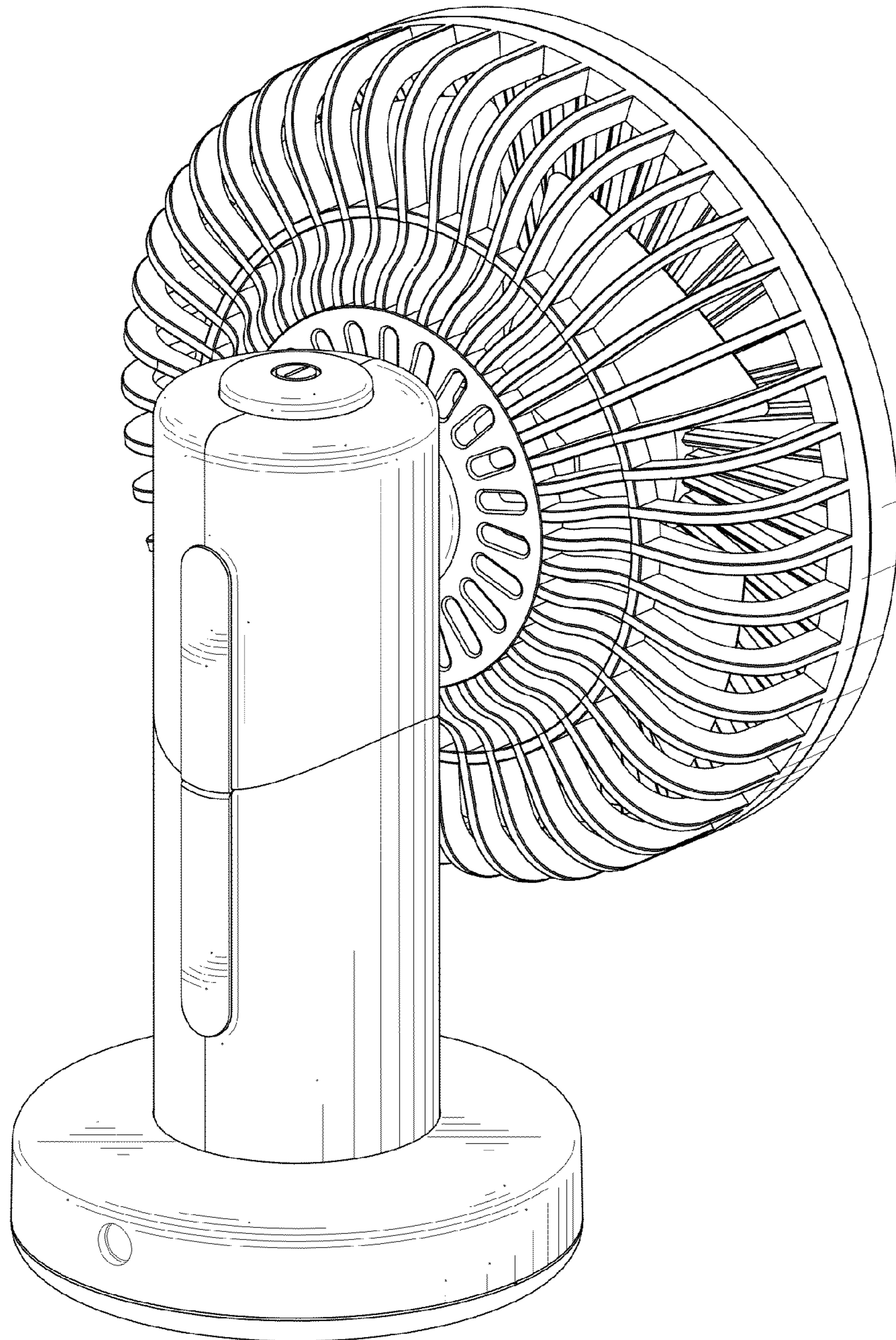


FIG. 8