



US00D727487S

(12) **United States Design Patent**  
**Carter**

(10) **Patent No.:** **US D727,487 S**

(45) **Date of Patent:** **\*\* Apr. 21, 2015**

- (54) **ANGLED BIFILTER HOUSING**
- (71) Applicant: **Scott Carter**, Rogers, AR (US)
- (72) Inventor: **Scott Carter**, Rogers, AR (US)
- (\*\*) Term: **14 Years**
- (21) Appl. No.: **29/471,889**
- (22) Filed: **Nov. 6, 2013**
- (51) **LOC (10) Cl.** ..... **23-04**
- (52) **U.S. Cl.**  
USPC ..... **D23/365**
- (58) **Field of Classification Search**  
USPC ..... D23/365, 209, 363, 358, 386, 354, 341,  
D23/364; 55/385.3, 502, 497, 506, 505,  
55/521, 495, 422, 493, DIG. 30; 210/435,  
210/130, 136, 248, 339, 448, 452, 497.1;  
D32/31; D15/5  
See application file for complete search history.

- 7,156,898 B2 \* 1/2007 Jaisinghani ..... 95/63
- 7,585,346 B2 \* 9/2009 Roseberry et al. .... 55/518
- 8,603,229 B2 \* 12/2013 Tatarchuk et al. .... 96/134
- 8,747,506 B2 \* 6/2014 Borkent et al. .... 55/495

\* cited by examiner

*Primary Examiner* — David Muller  
(74) *Attorney, Agent, or Firm* — Keisling & Pieper PLC;  
Daniel B. Pieper

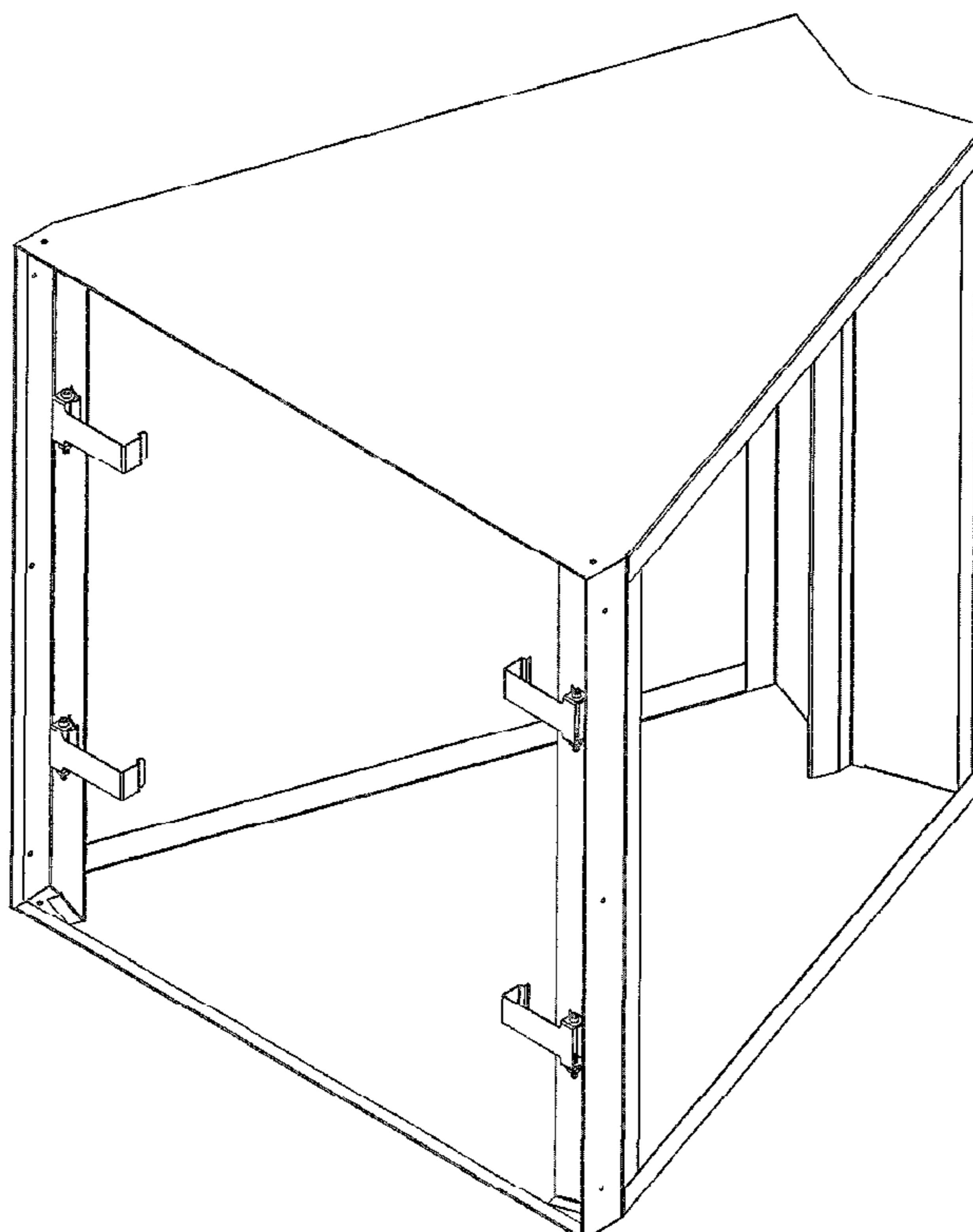
(57) **CLAIM**  
The ornamental design for an angled bifilter housing, as shown and described.

**DESCRIPTION**

FIG. 1 is a front perspective view of an angled bifilter housing;  
FIG. 2 is a left side view thereof;  
FIG. 3 is a front view thereof;  
FIG. 4 is a right side view thereof;  
FIG. 5 is a back view thereof;  
FIG. 6 is a top view thereof;  
FIG. 7 is a bottom view thereof; and,  
FIG. 8 is an environmental view thereof showing filter installation with the filters shown in broken lines.  
The broken lines illustrate the environment in which the article embodying the design is used and form no part of the claimed design.

- (56) **References Cited**  
U.S. PATENT DOCUMENTS  
2,966,959 A \* 1/1961 Neumann ..... 55/484  
4,685,944 A \* 8/1987 Allan et al. .... 55/521  
4,969,936 A \* 11/1990 Schweigert et al. .... 96/129  
5,223,011 A \* 6/1993 Hanni ..... 55/502  
5,593,476 A \* 1/1997 Coppom ..... 95/78  
5,733,350 A \* 3/1998 Muller et al. .... 55/482  
D455,826 S \* 4/2002 Gillingham et al. .... D23/365  
D469,863 S \* 2/2003 Kice ..... D23/386  
6,835,128 B1 \* 12/2004 Olson ..... 454/232

**1 Claim, 8 Drawing Sheets**



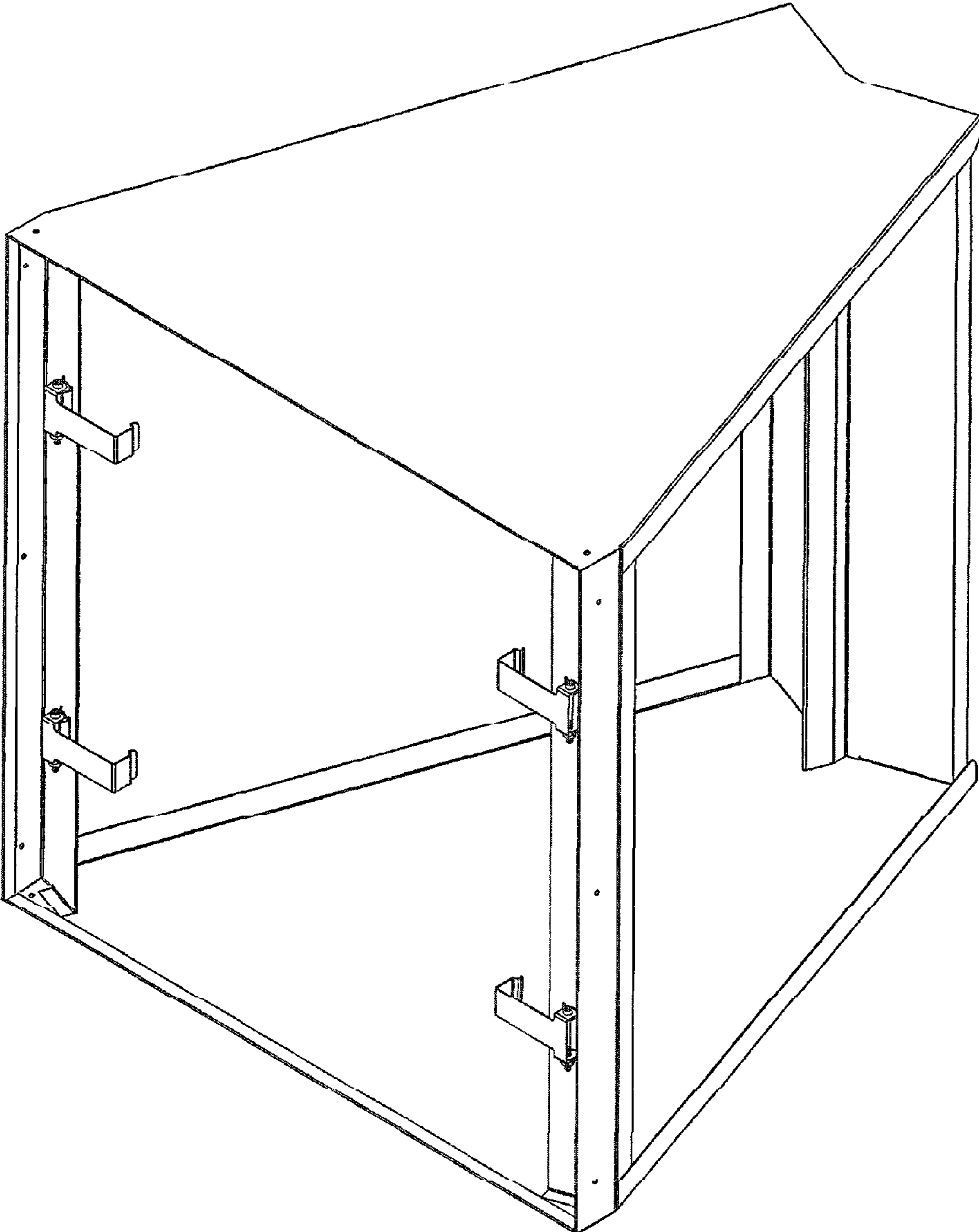
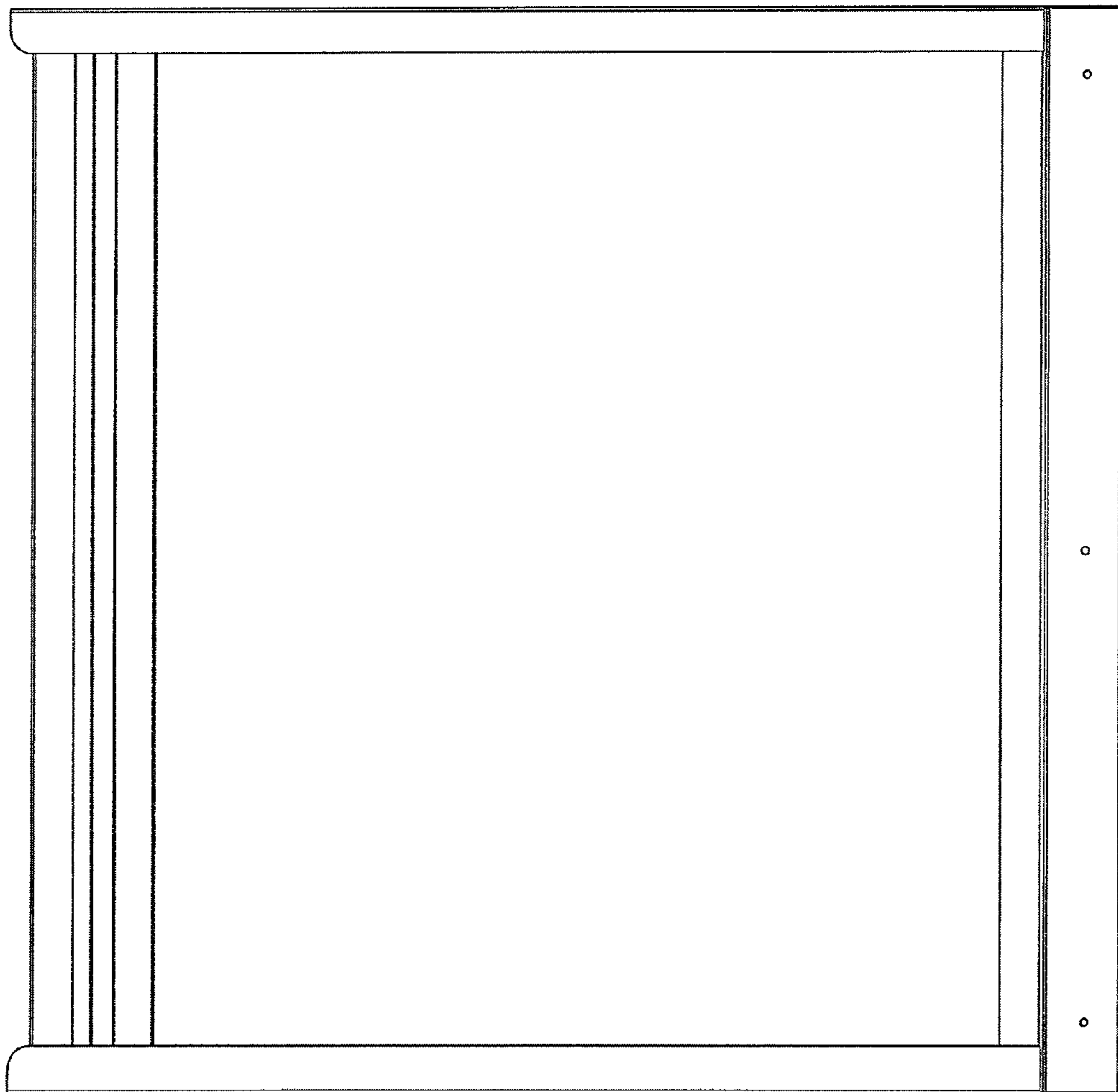
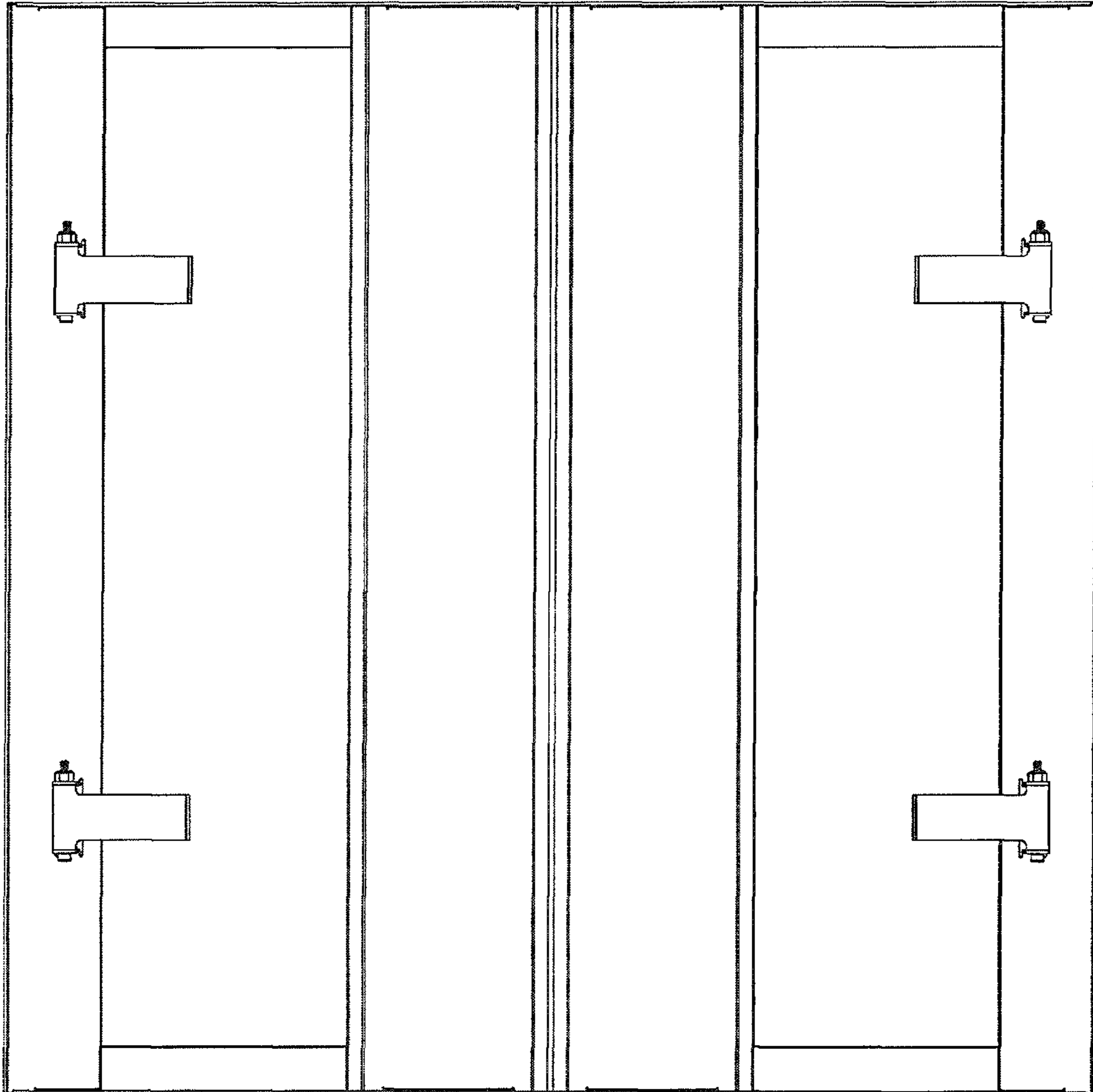


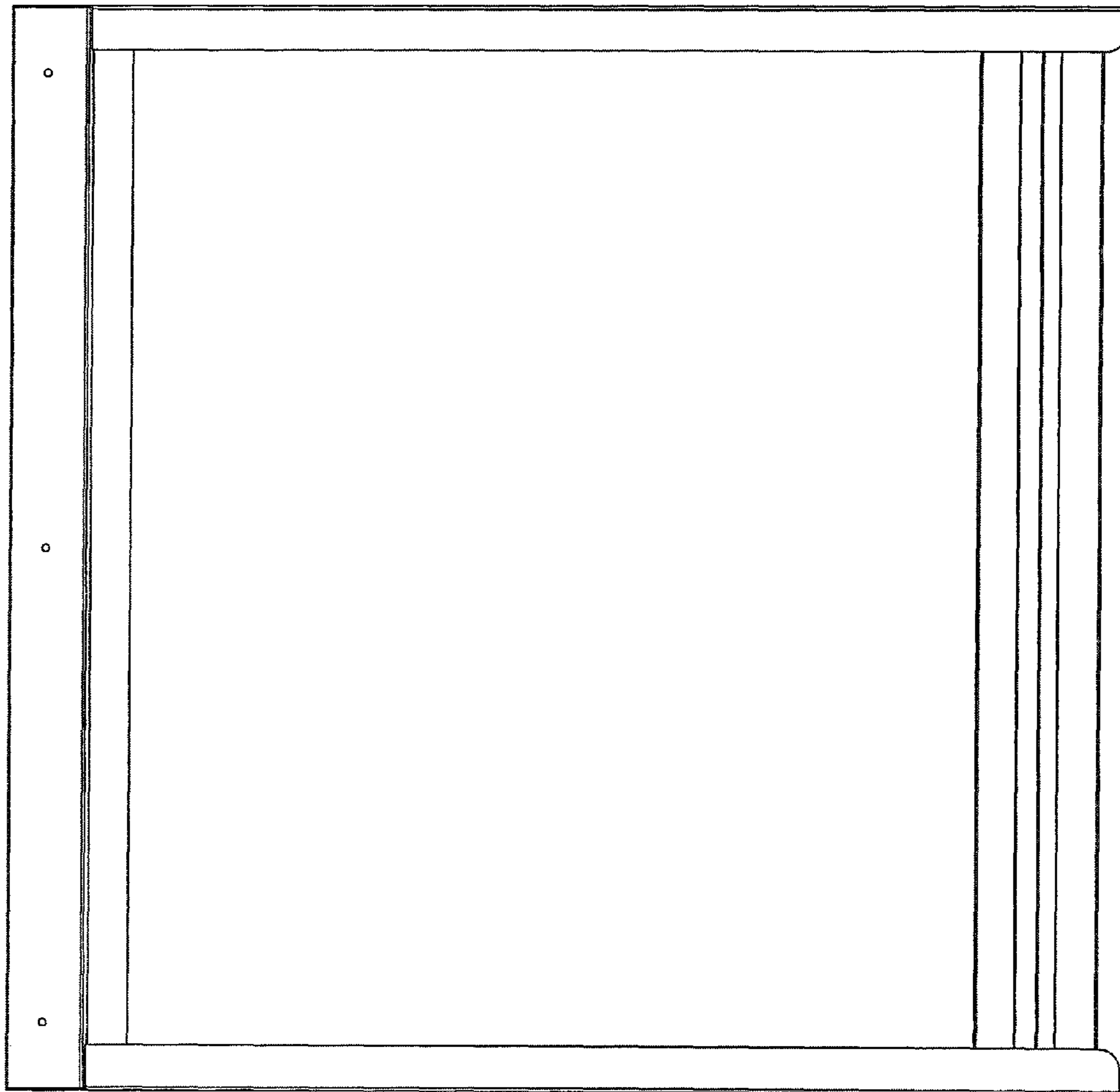
FIG. 1



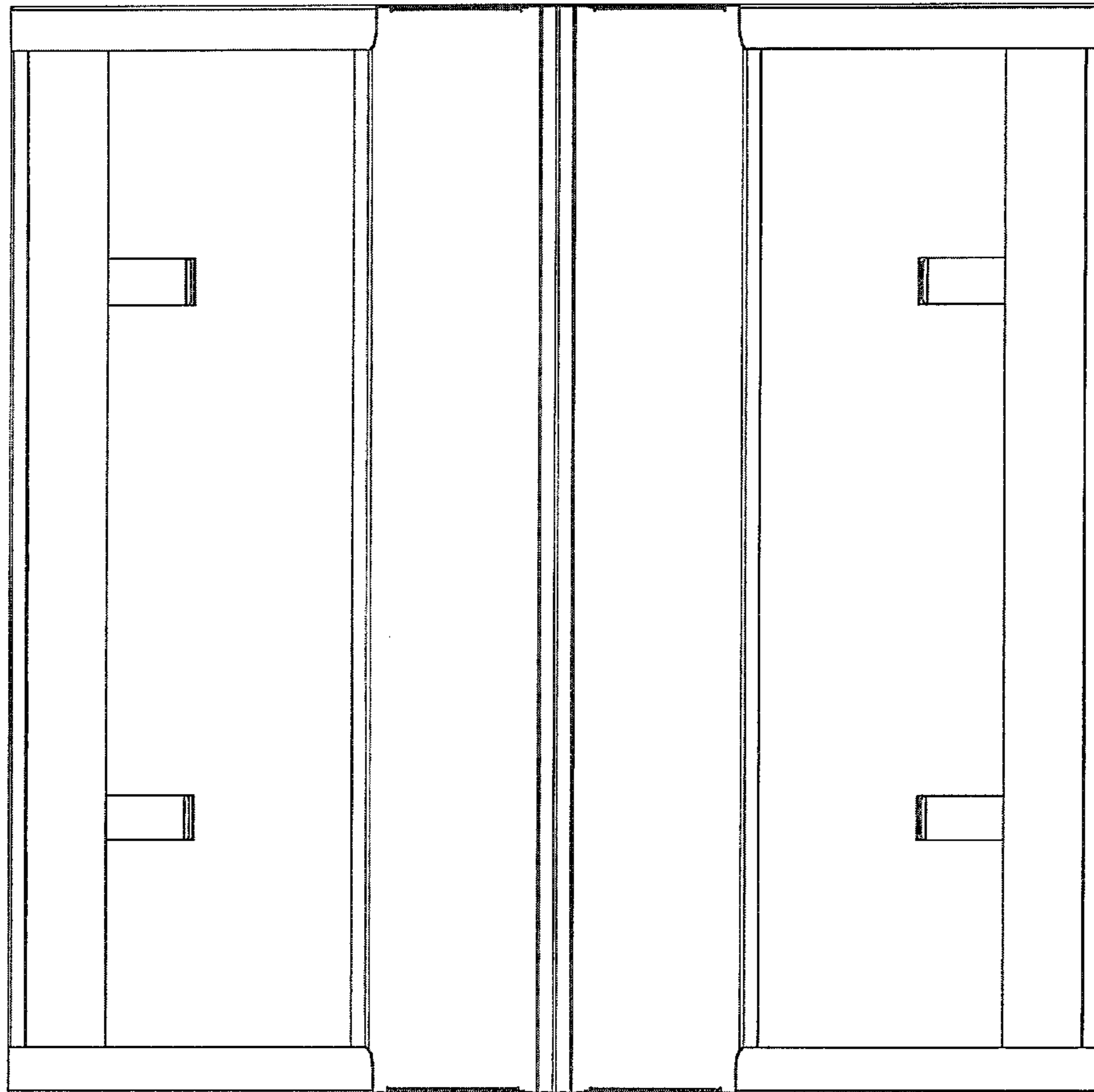
*FIG. 2*



*FIG. 3*

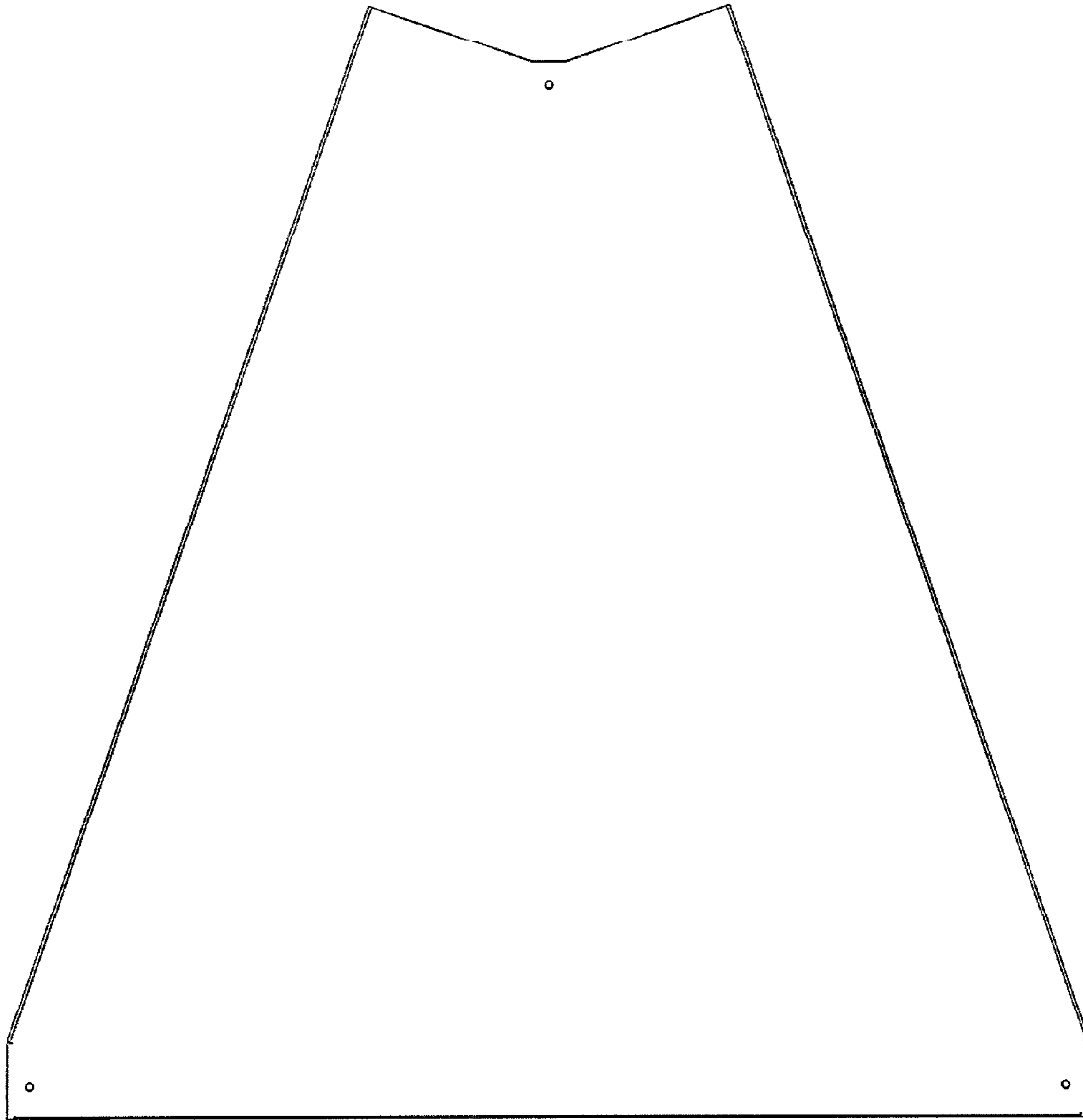


*FIG. 4*

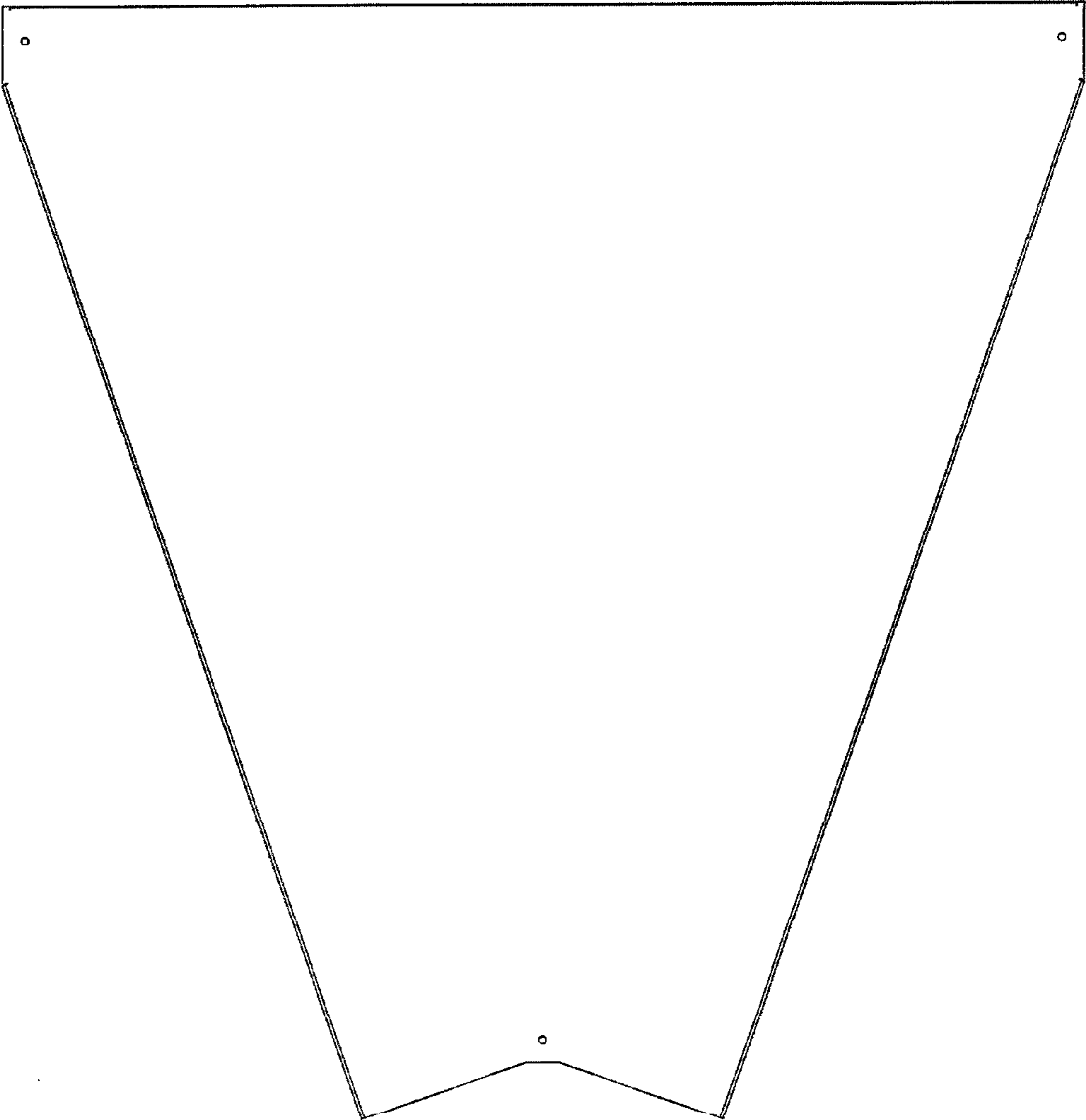


*FIG. 5*



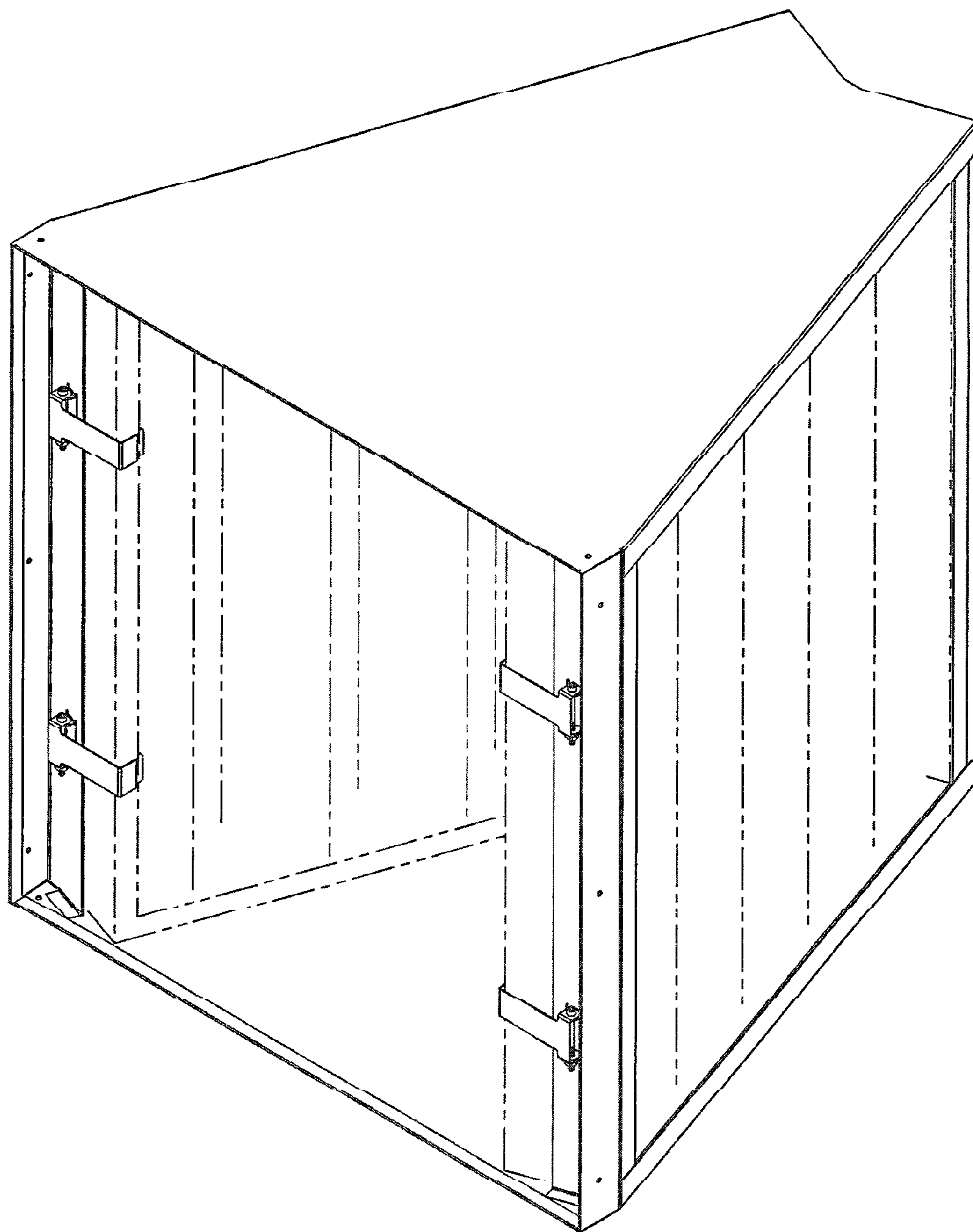


*FIG. 6*



*FIG. 7*





*FIG. 8*