



US00D727481S

(12) **United States Design Patent**
Smith

(10) **Patent No.:** **US D727,481 S**

(45) **Date of Patent:** **** Apr. 21, 2015**

(54) **NOVELTY TOILET SURROUND**

(71) Applicant: **Tyson Smith**, Bellingham, WA (US)

(72) Inventor: **Tyson Smith**, Bellingham, WA (US)

(**) Term: **14 Years**

(21) Appl. No.: **29/493,002**

(22) Filed: **Jun. 4, 2014**

(51) **LOC (10) Cl.** **23-02**

(52) **U.S. Cl.**
USPC **D23/297**

(58) **Field of Classification Search**
USPC D23/296-297, 303, 309, 311-312
See application file for complete search history.

(56) **References Cited**

U.S. PATENT DOCUMENTS

2,629,882	A	3/1953	Blumenshine	
2,851,697	A	9/1958	Dubay et al.	
3,408,661	A	* 11/1968	Hammond	4/901
D297,789	S	9/1988	Stepien	
D321,246	S	* 10/1991	Lambdin	D23/297
D388,160	S	* 12/1997	Simmons	D23/297
5,734,998	A	* 4/1998	Simmons	4/483
D509,576	S	* 9/2005	Williams	D23/297

D639,405	S	*	6/2011	Miller	D23/297
2007/0050900	A1		3/2007	McDowell		
2012/0227169	A1		9/2012	Thyren et al.		

* cited by examiner

Primary Examiner — Robert Delehanty

(74) *Attorney, Agent, or Firm* — Dwayne E. Rogge; Schacht Law Office, Inc.

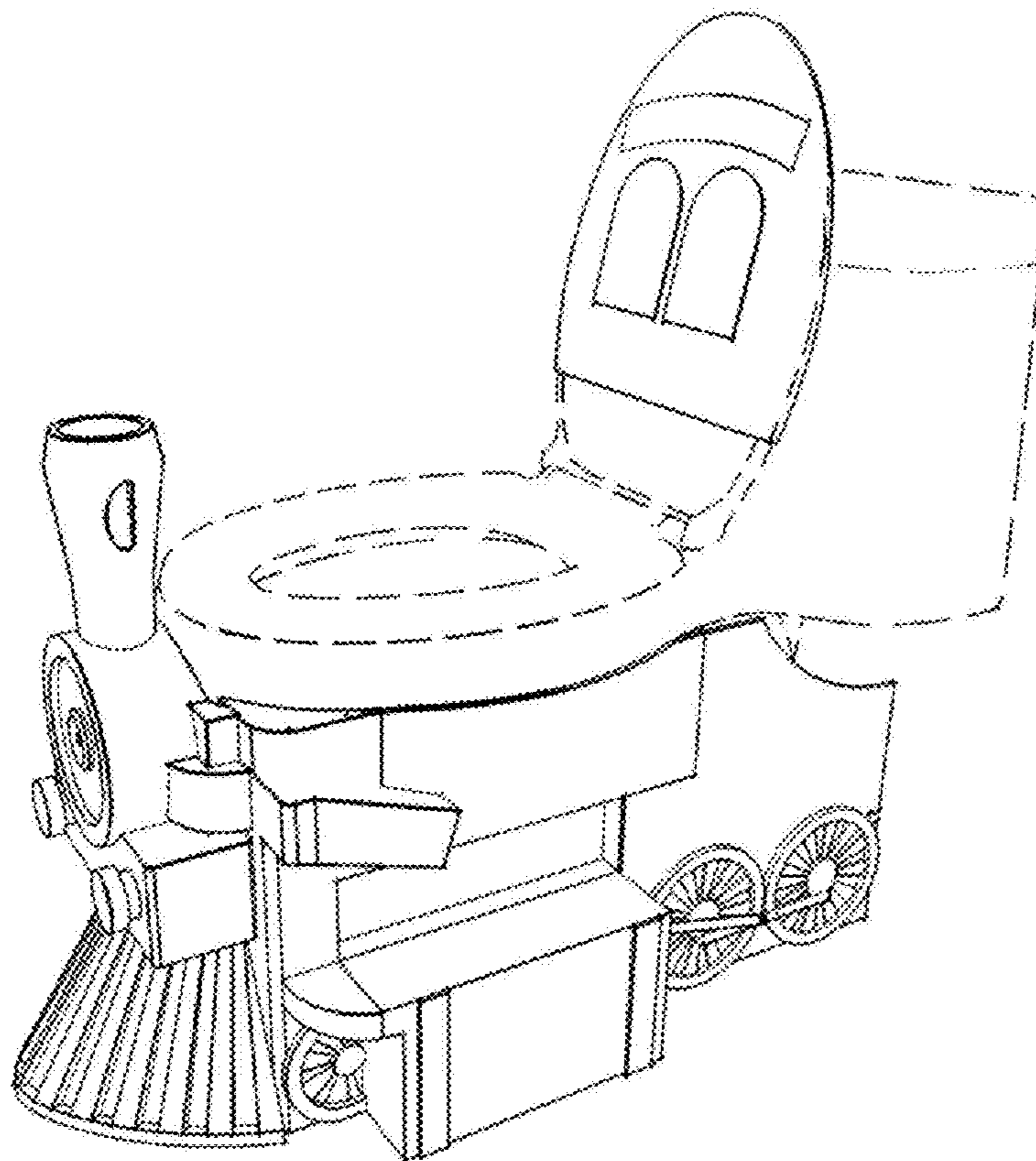
(57) **CLAIM**

The ornamental design for a novelty toilet surround, as shown and described.

DESCRIPTION

FIG. 1 is an isometric view of our novelty toilet surround thereof attached to a toilet for illustrative purposes only. FIG. 2 is an isometric view thereof. FIG. 3 is a top view thereof. FIG. 4 is a right side view thereof. FIG. 5 is a left side view thereof. FIG. 6 is a front view thereof. FIG. 7 is a rear view thereof from a slightly elevated angle; and, FIG. 8 is a bottom view thereof. Broken lines of the toilet shown in the drawings are for illustrative purposes only and form no part of the claimed design.

1 Claim, 2 Drawing Sheets



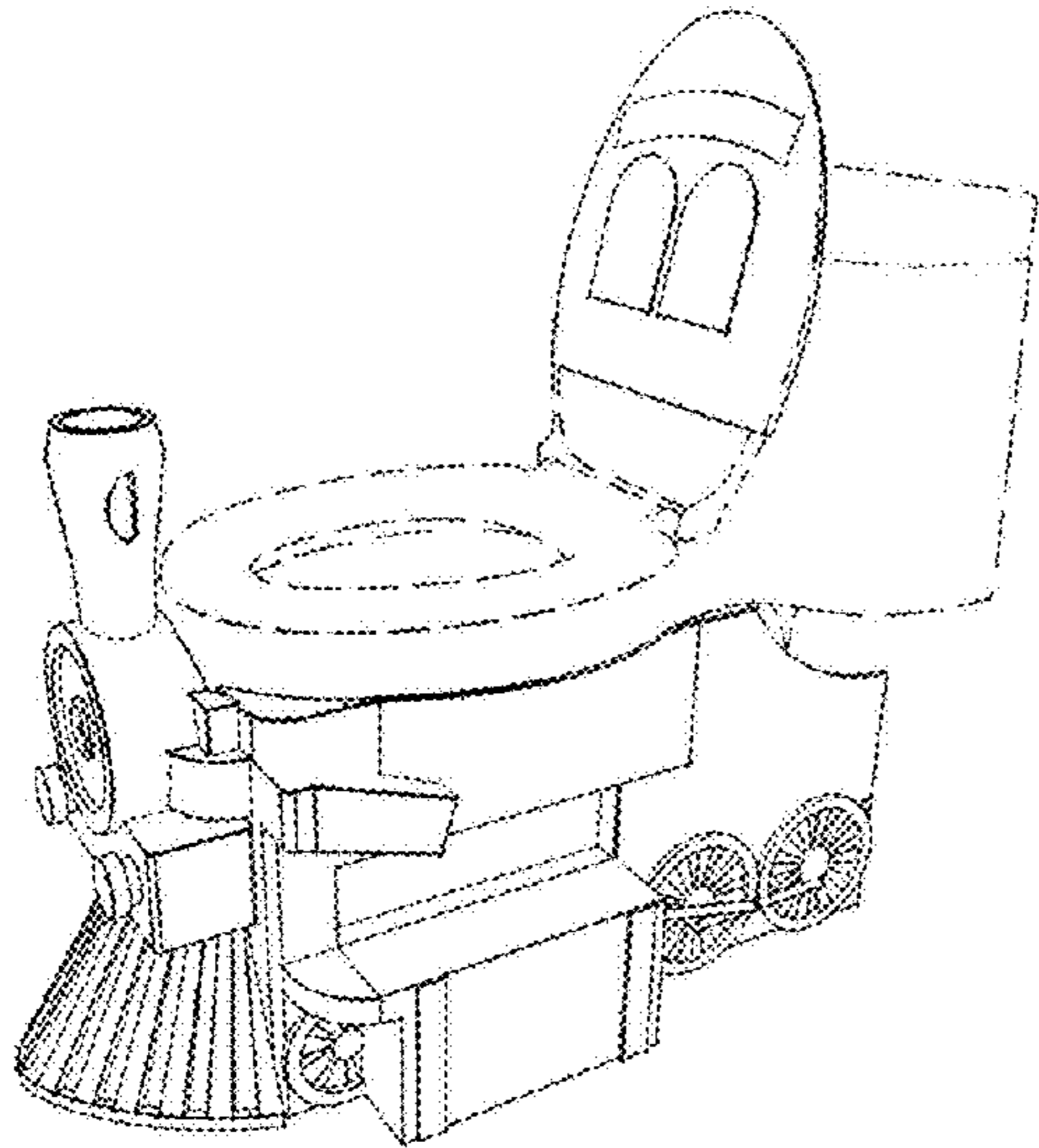


Fig. 1

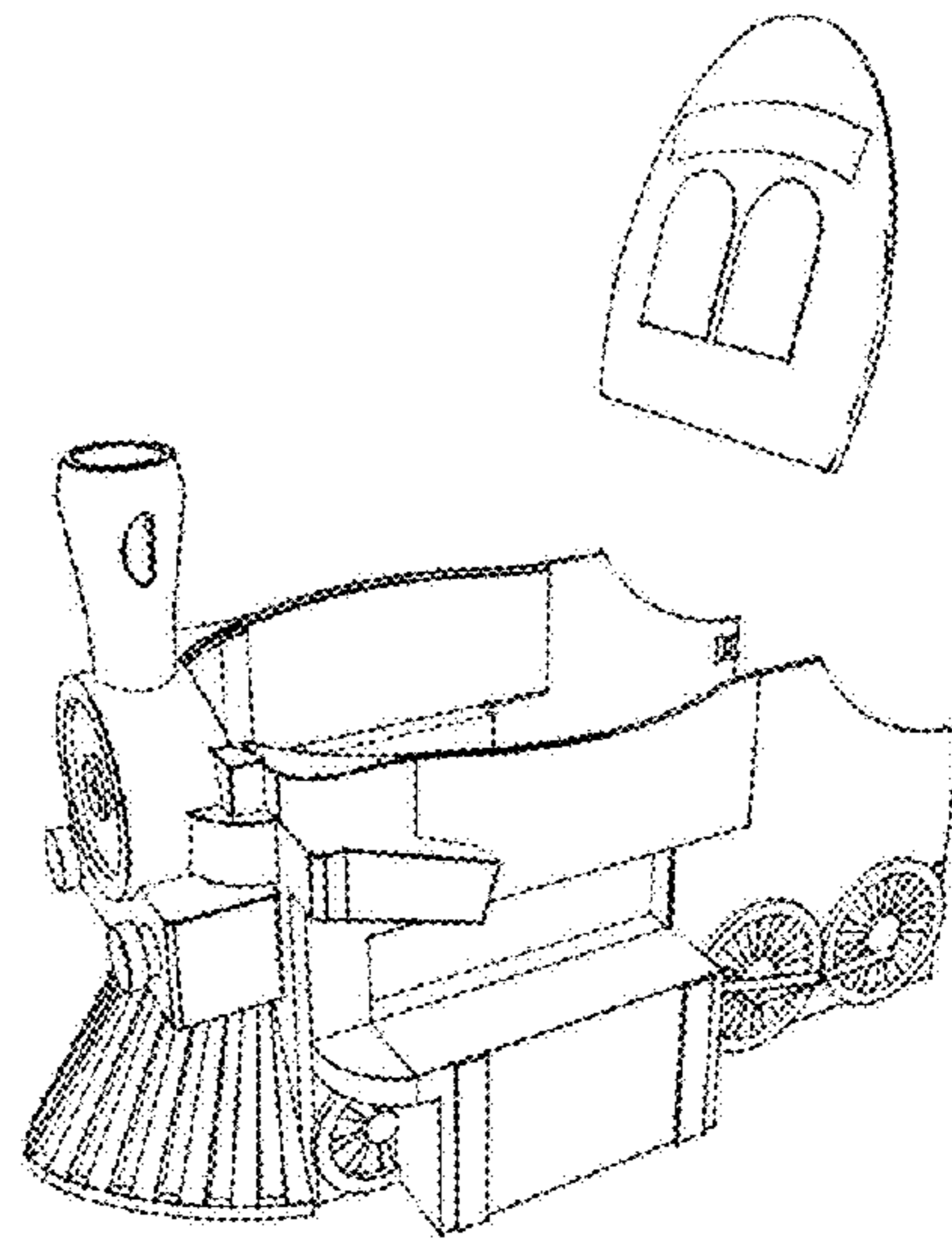


Fig. 2

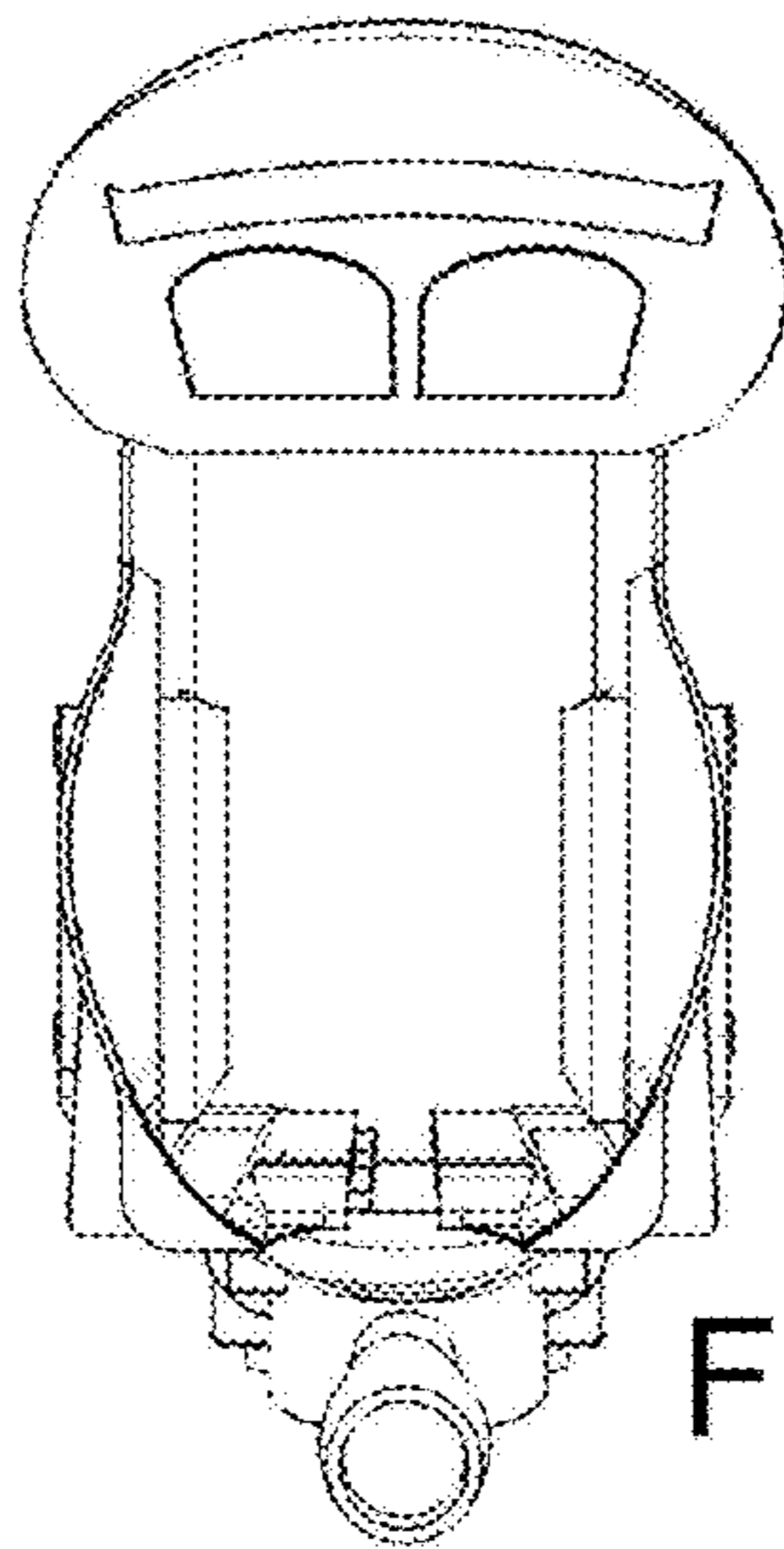


Fig. 3

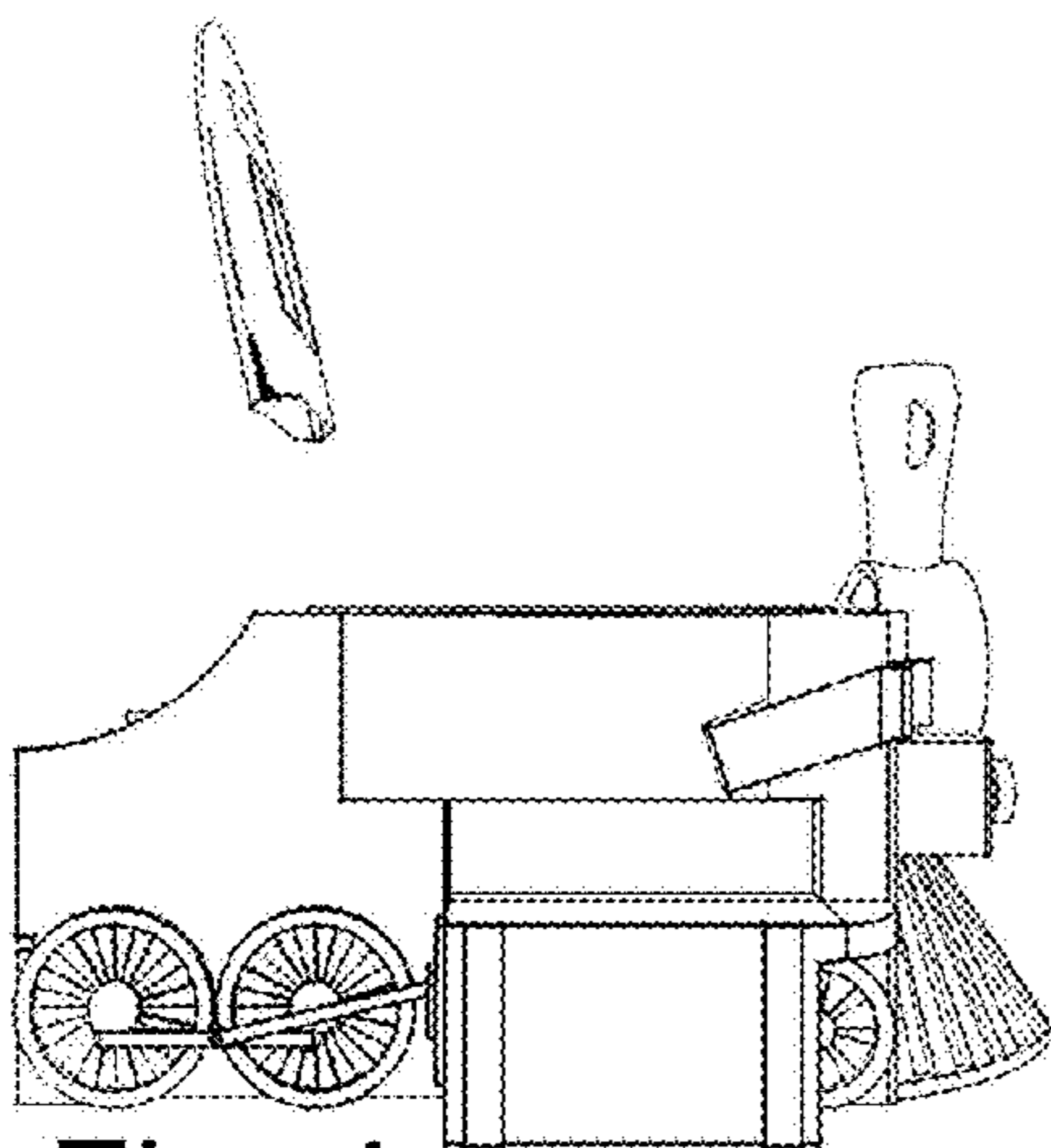


Fig. 4

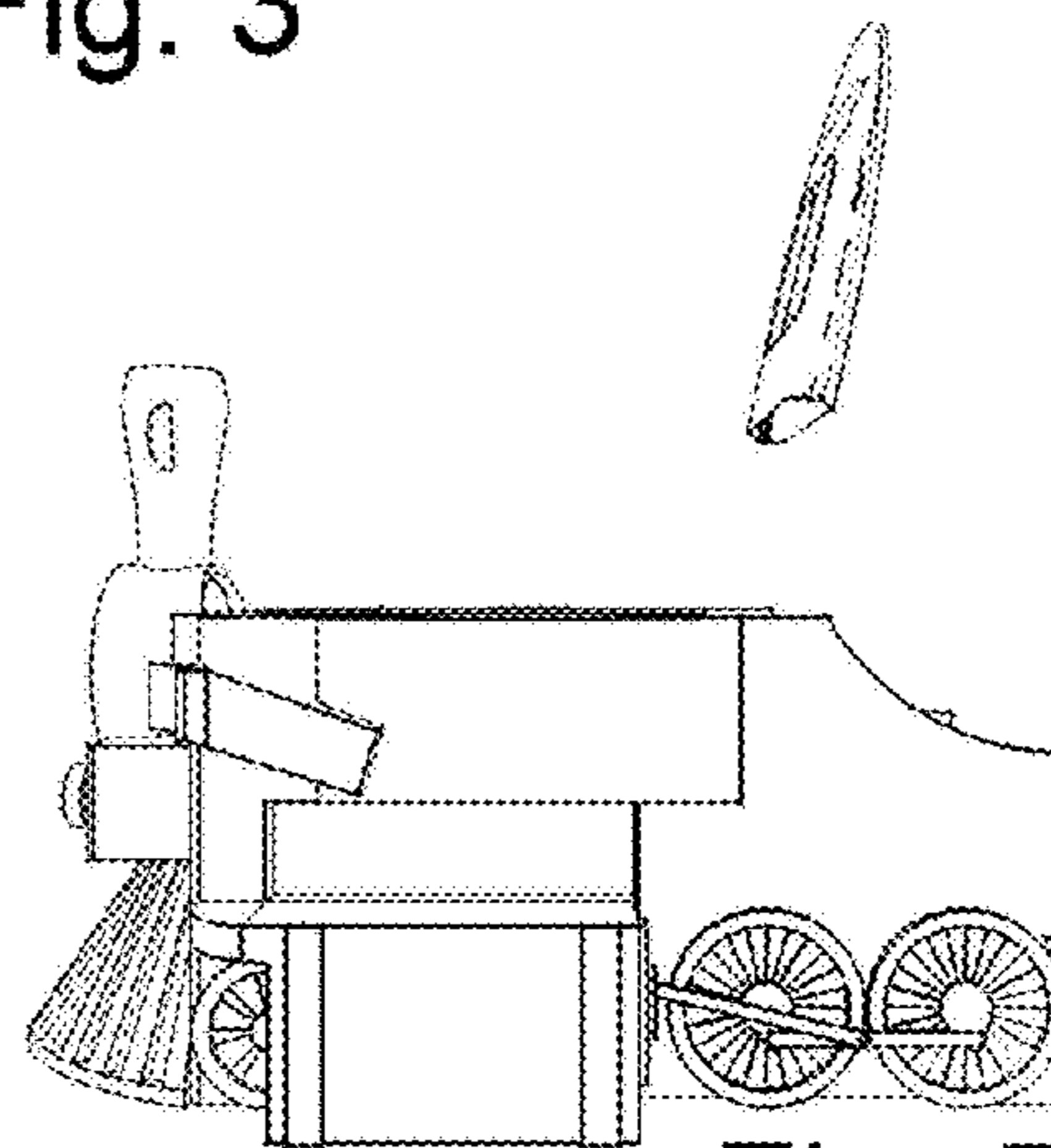


Fig. 5

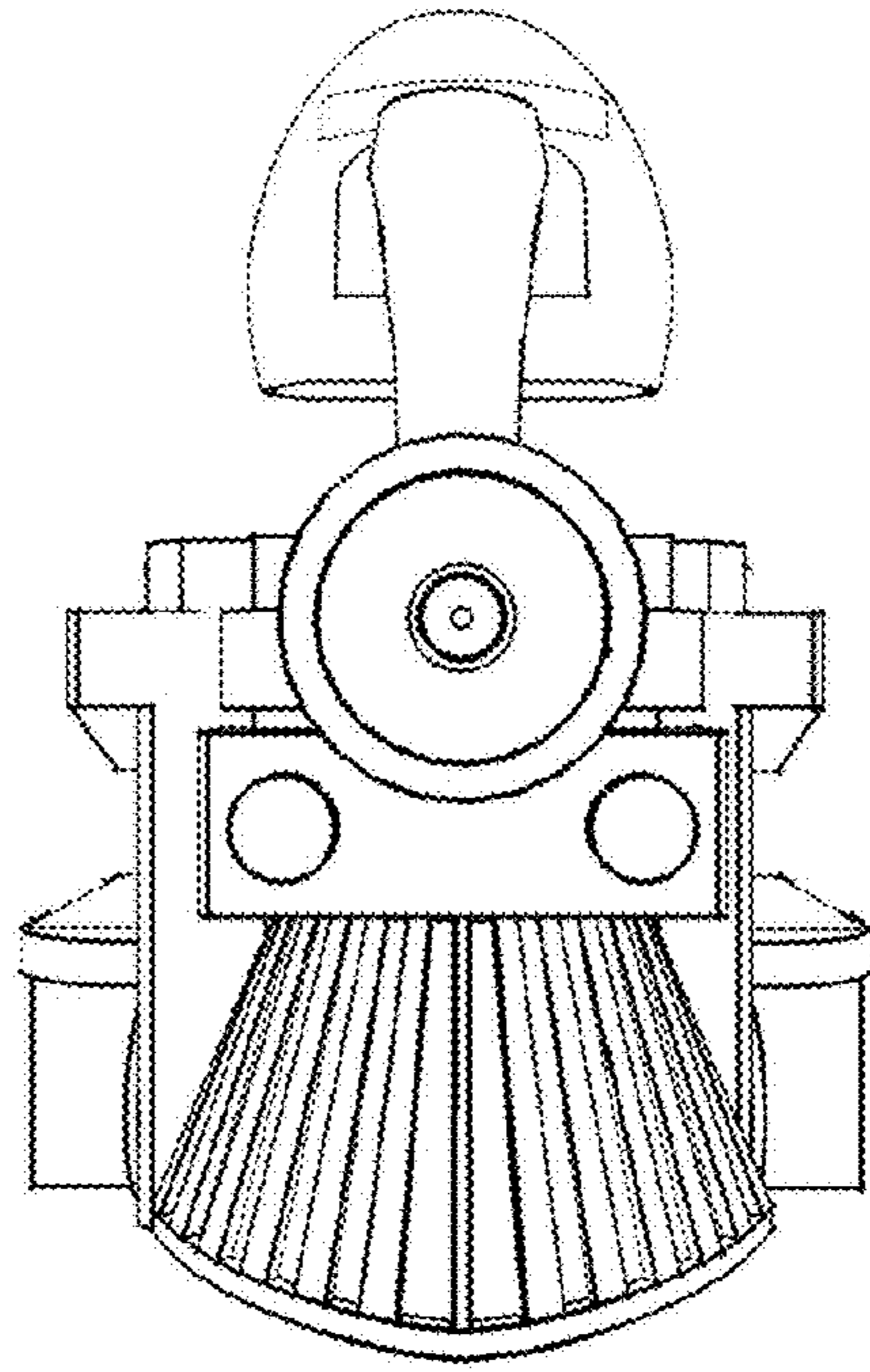


Fig. 6

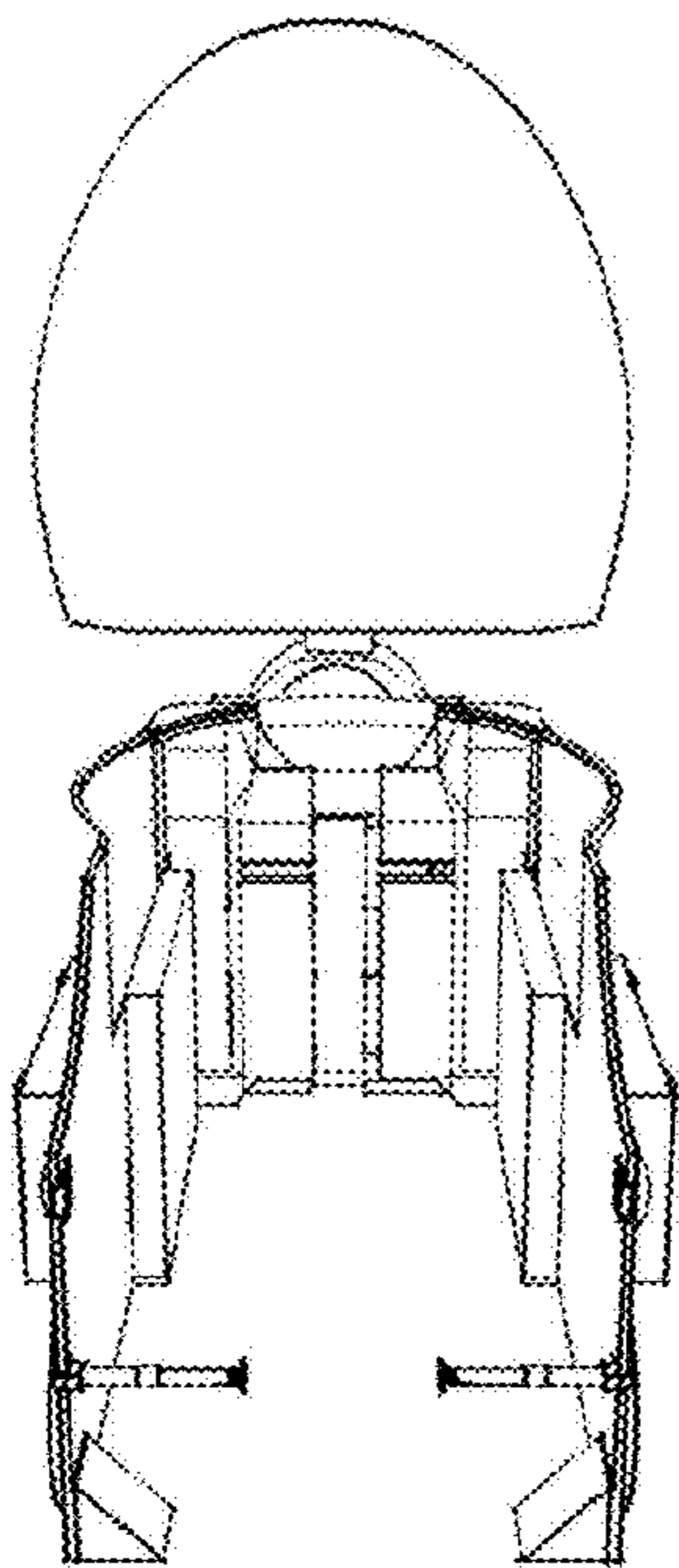


Fig. 7

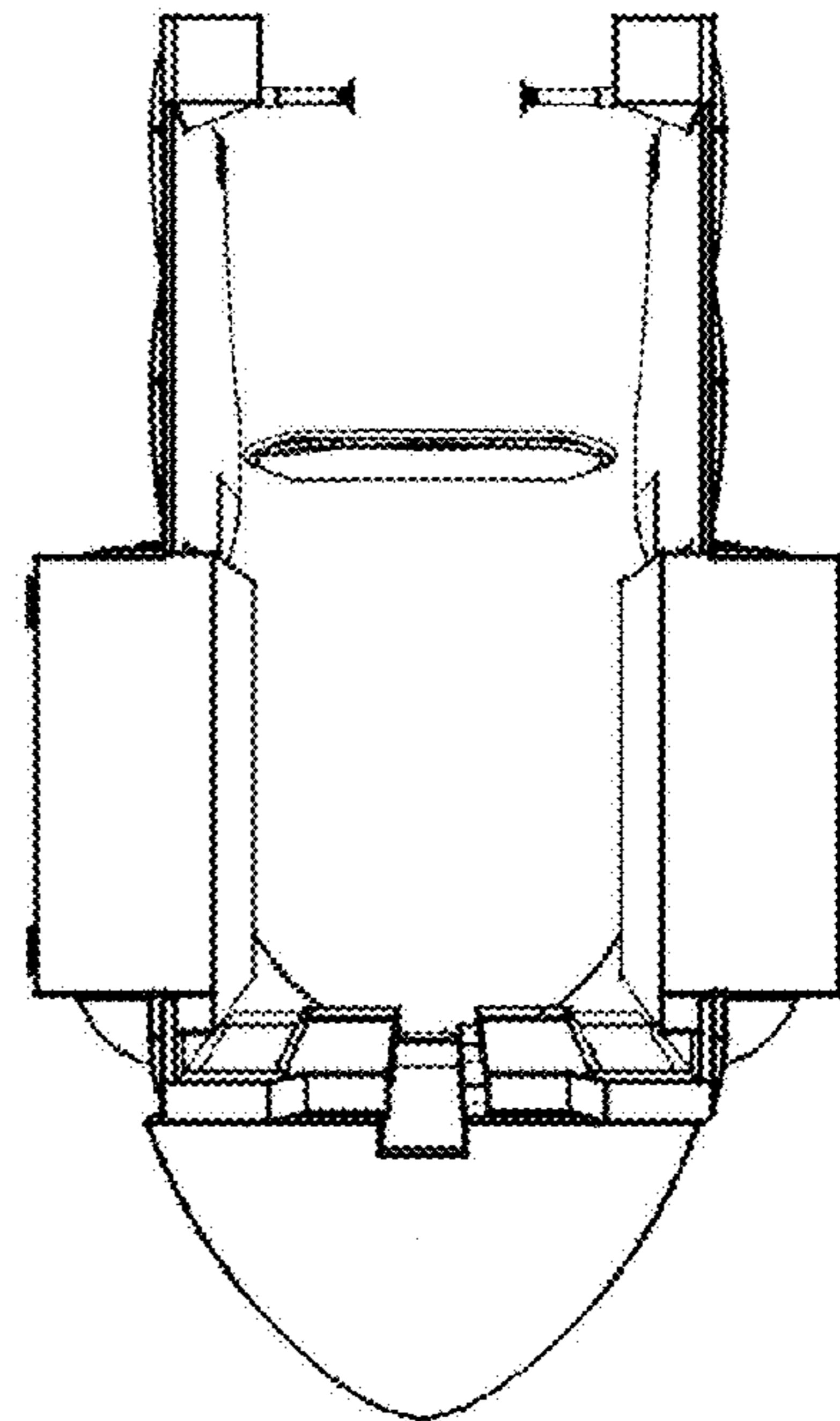


Fig. 8