

US00D727480S

(12) **United States Design Patent**
Mayer et al.

(10) **Patent No.:** **US D727,480 S**
(45) **Date of Patent:** **** Apr. 21, 2015**

(54) **COMBINATION CABINET AND SINK WITH MIRROR**

(71) Applicant: **Deco Lav, Inc.**, Boca Raton, FL (US)

(72) Inventors: **Robert Mayer**, Boca Raton, FL (US);
Kristina Gros, Boca Raton, FL (US);
Matt Muenster, Boca Raton, FL (US)

(73) Assignee: **Deco Lav, Inc.**, Boca Raton, FL (US)

(**) Term: **14 Years**

(21) Appl. No.: **29/476,514**

(22) Filed: **Dec. 13, 2013**

(51) **LOC (10) Cl.** **23-02**

(52) **U.S. Cl.**
USPC **D23/286; D6/308**

(58) **Field of Classification Search**
USPC D23/286, 272-274, 303, 308; D24/234;
4/630-631, 638, 643; D6/444, 642,
D6/633, 300, 664.1, 671, 671.3, 655,
D6/354.1, 354.16; 312/228, 224, 227

See application file for complete search history.

(56) **References Cited**

U.S. PATENT DOCUMENTS

2,784,302 A *	3/1957	Golden	362/133
D224,637 S *	8/1972	Ball	D6/511
D463,538 S *	9/2002	Chipperfield	D23/284
D587,350 S *	2/2009	Ziemann et al.	D23/286
D595,511 S *	7/2009	Mischel et al.	D6/308

* cited by examiner

Primary Examiner — Robert Delehanty

(74) *Attorney, Agent, or Firm* — Mark Terry

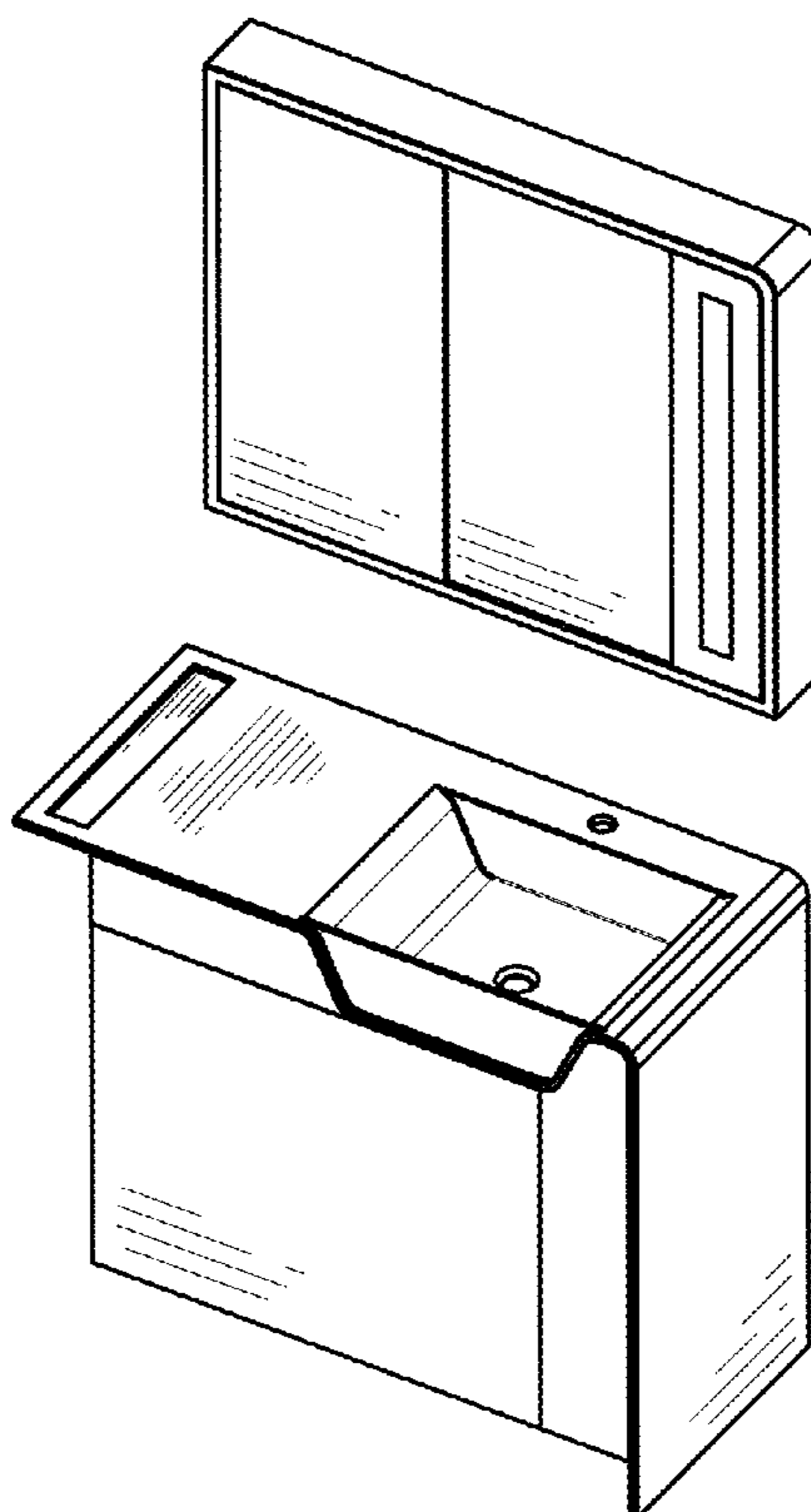
(57) **CLAIM**

The ornamental design for a combination cabinet and sink with mirror, as shown and described.

DESCRIPTION

FIG. 1 is a top perspective view of a combination cabinet and sink with mirror, showing the new design; FIG. 2 is a bottom perspective view thereof; FIG. 3 is a front view thereof; FIG. 4 is a rear view thereof; FIG. 5 is a top view thereof; FIG. 6 is a bottom side view thereof; FIG. 7 is a left side view thereof; and, FIG. 8 is a right side view thereof.

1 Claim, 4 Drawing Sheets



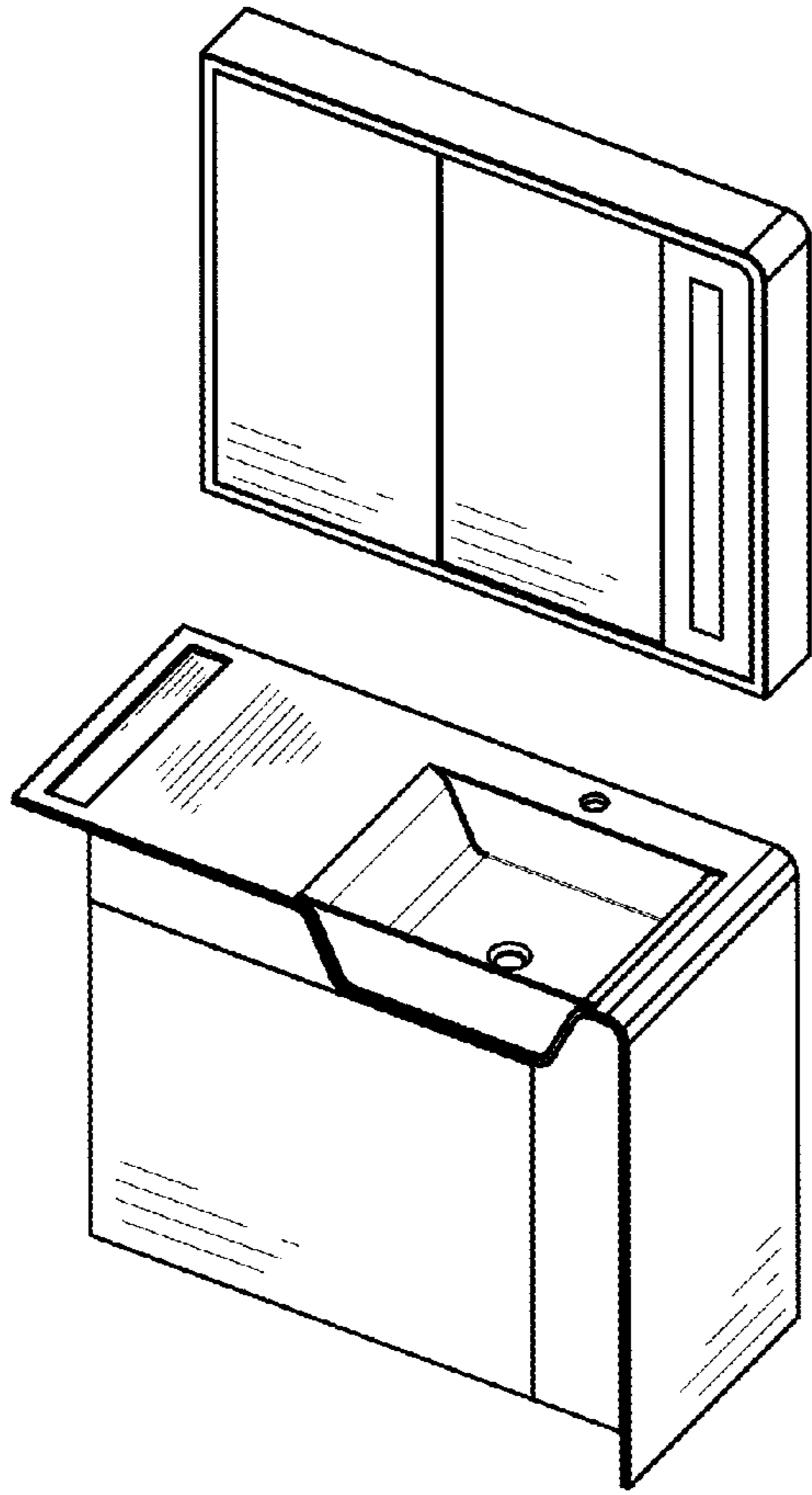


Fig. 1

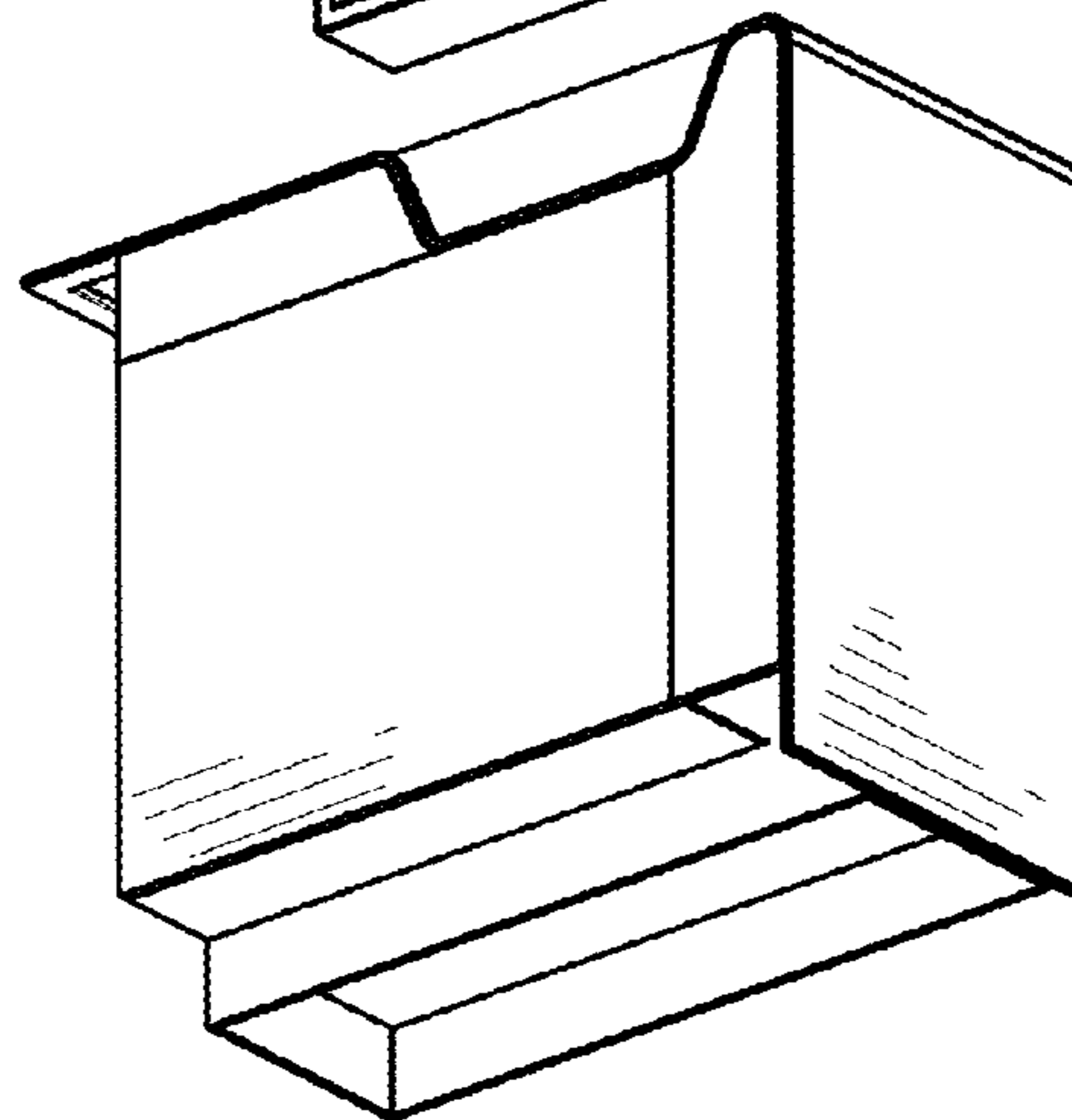
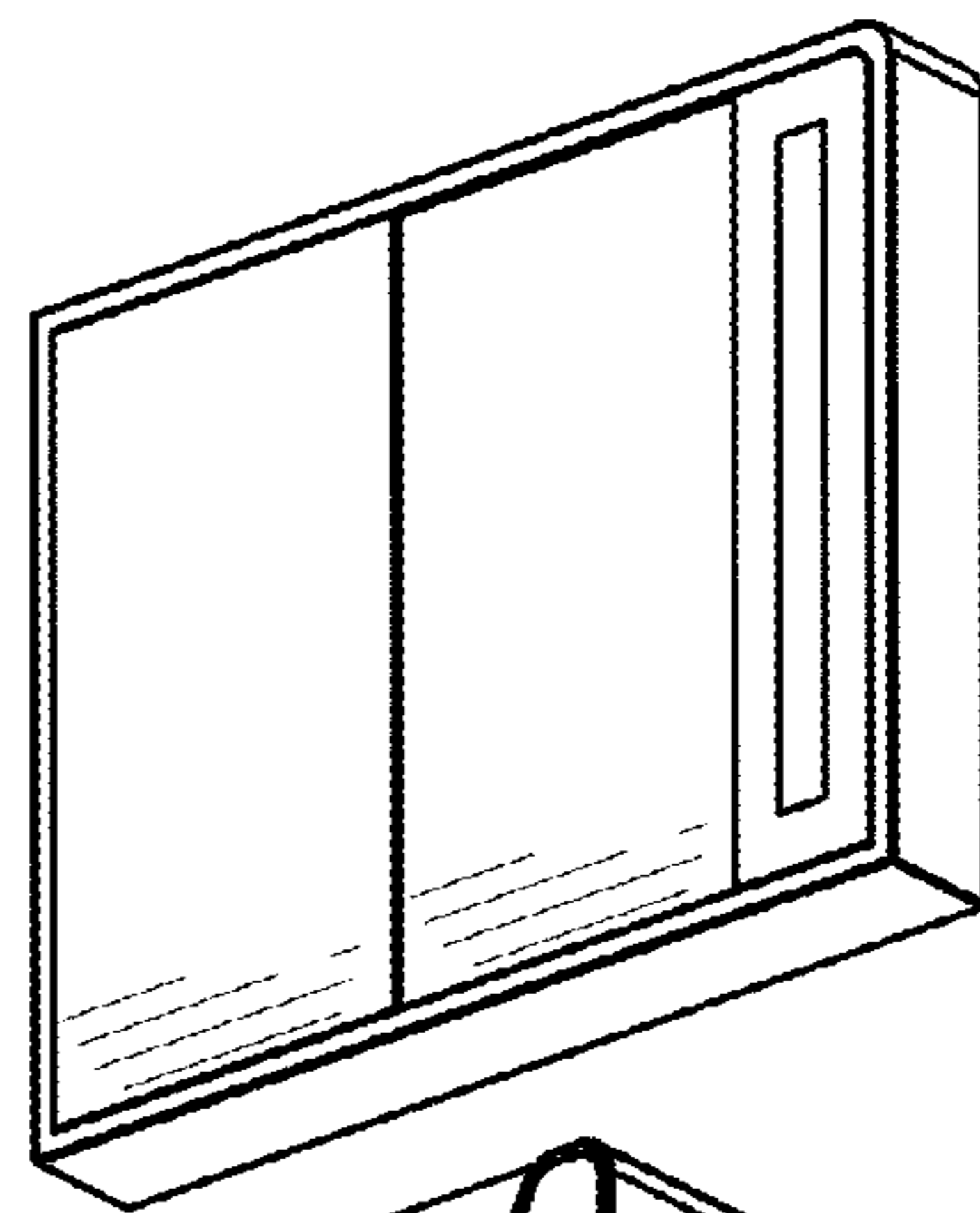


Fig. 2

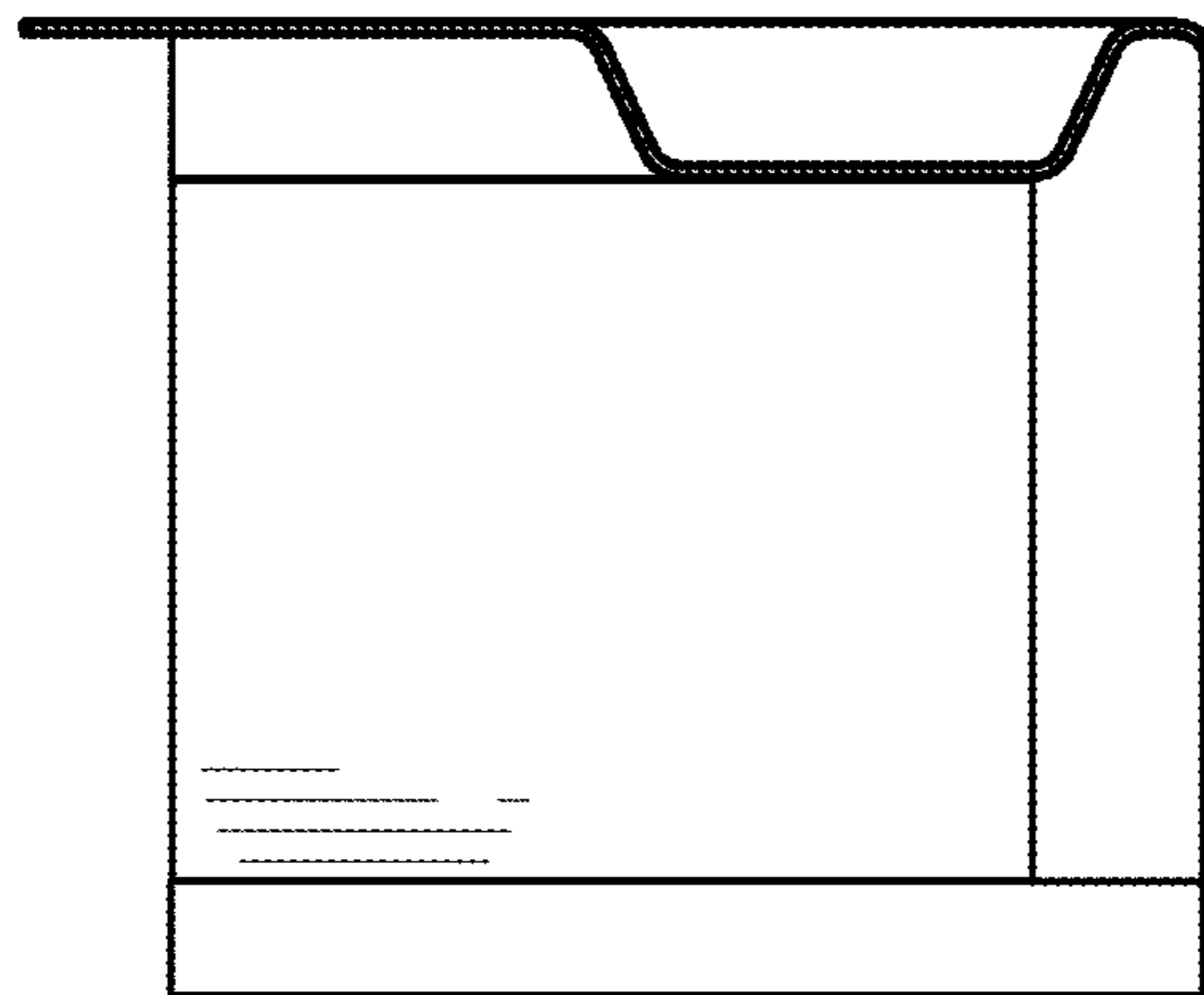
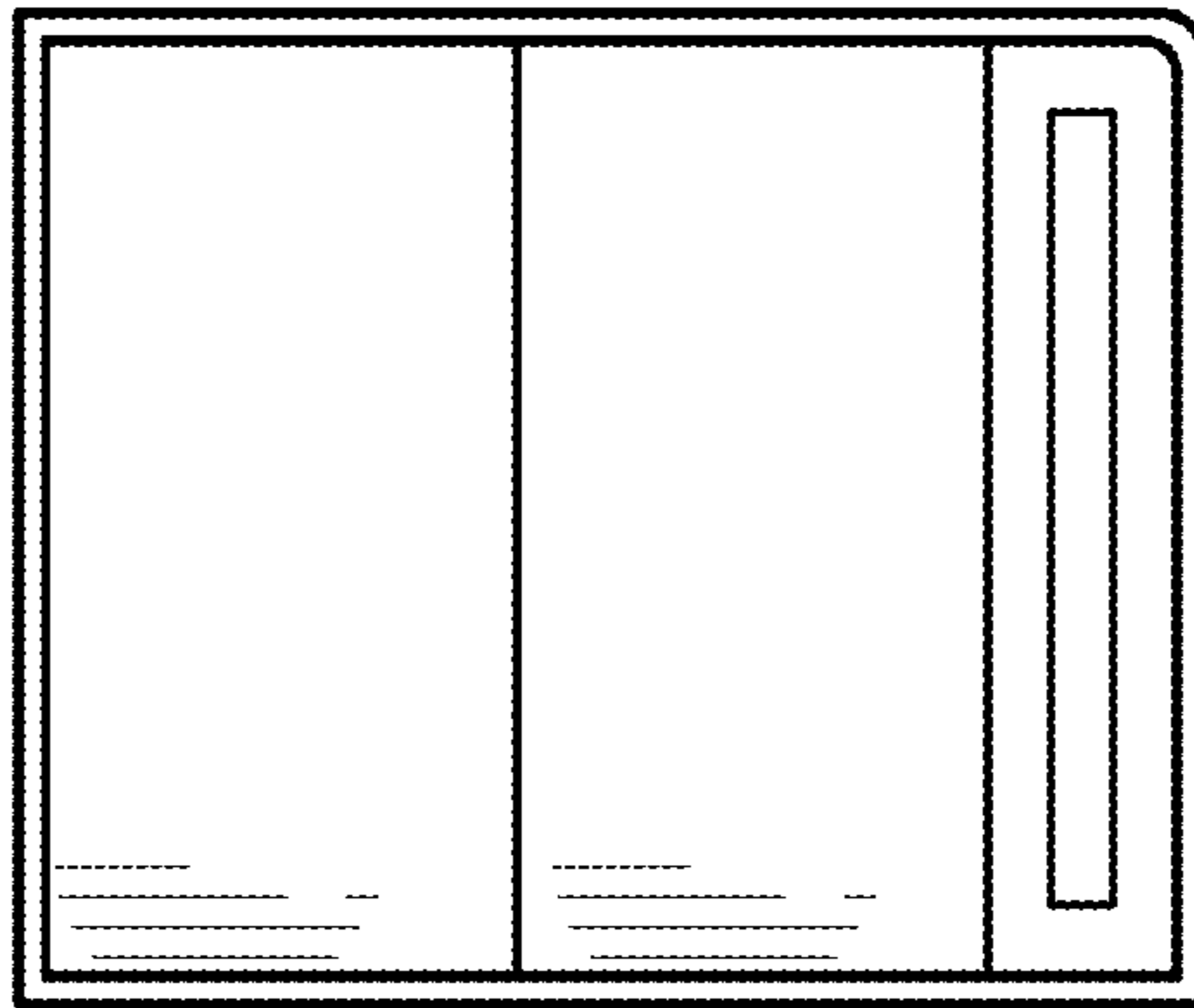


Fig. 3

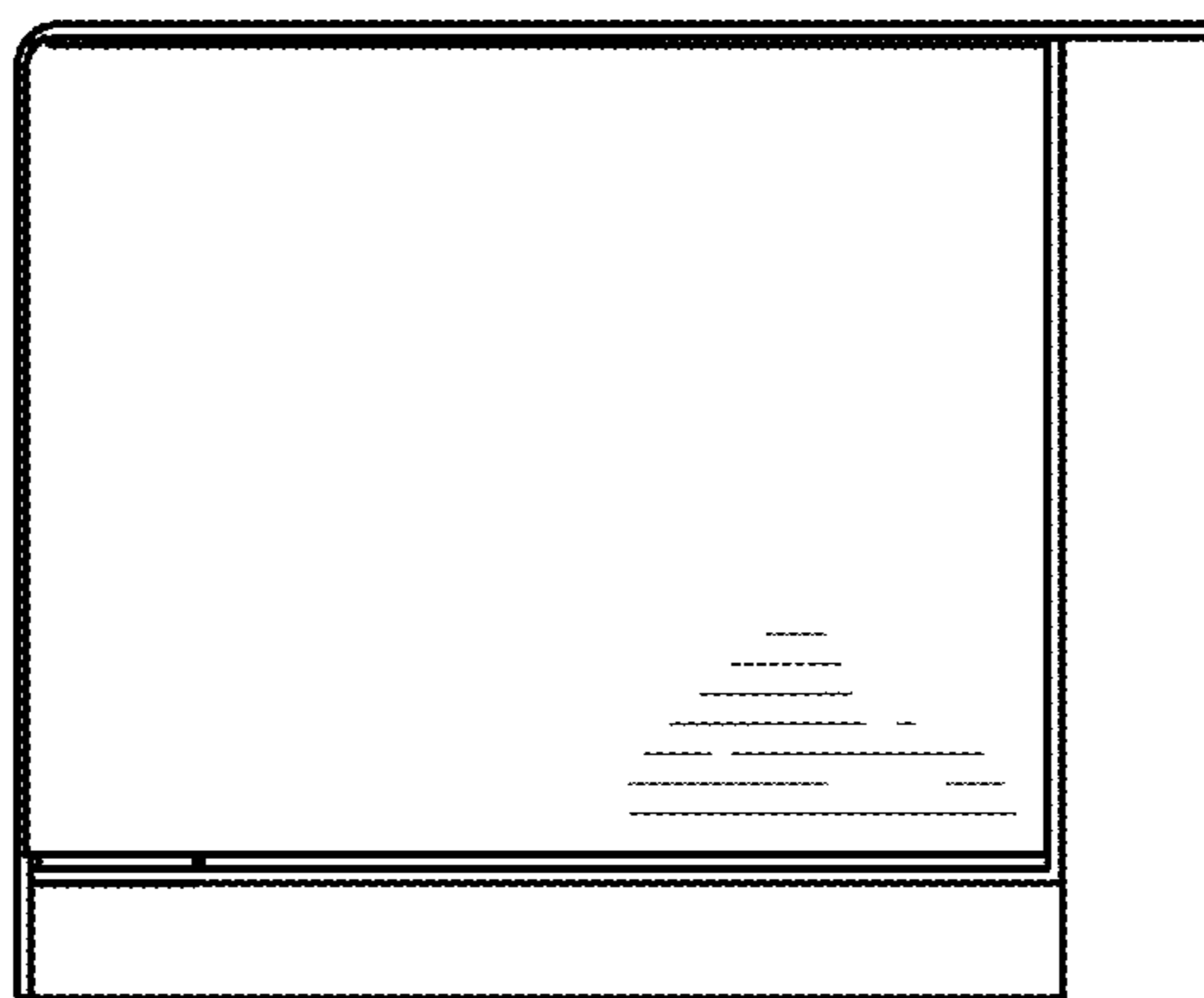
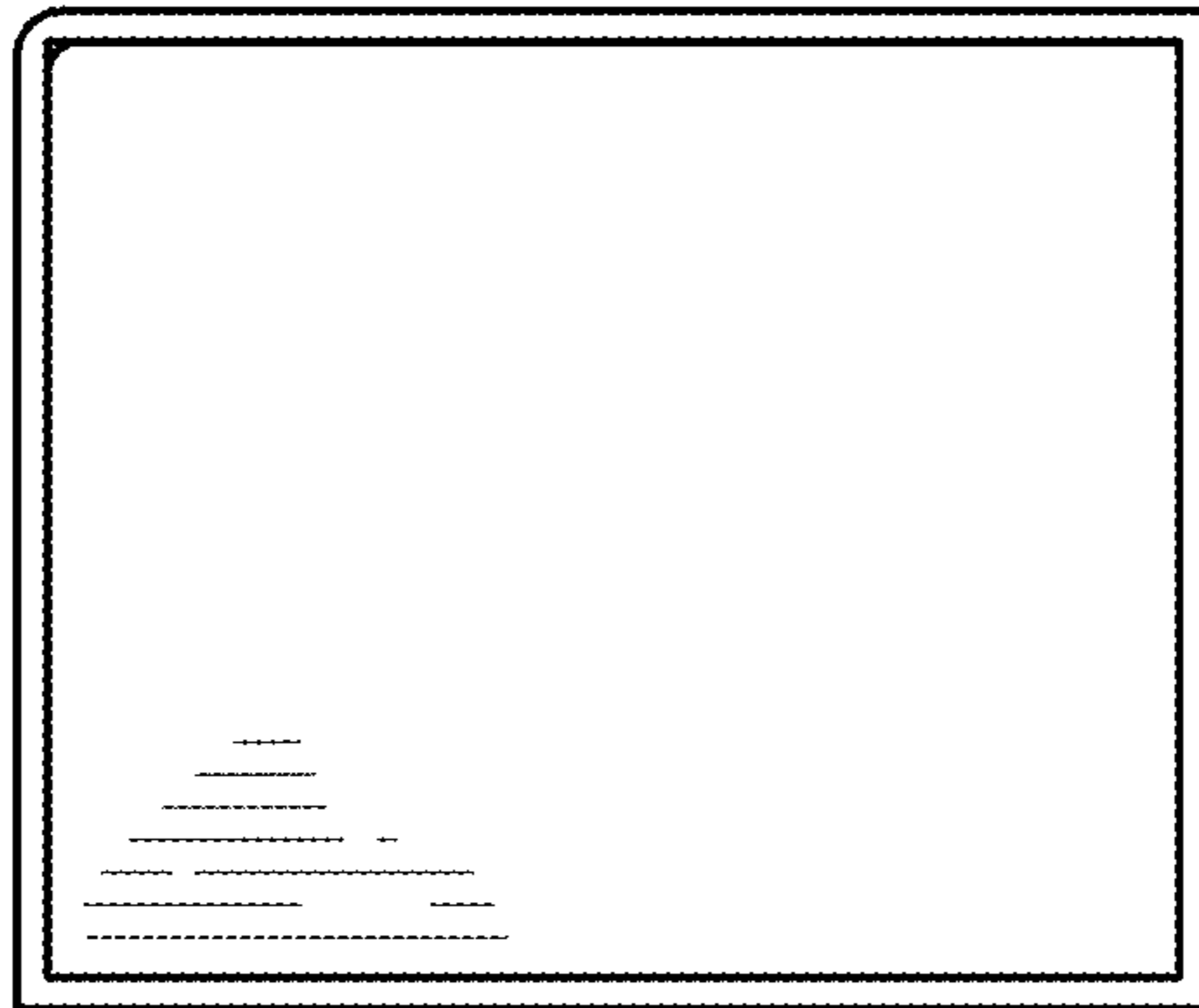


Fig. 4

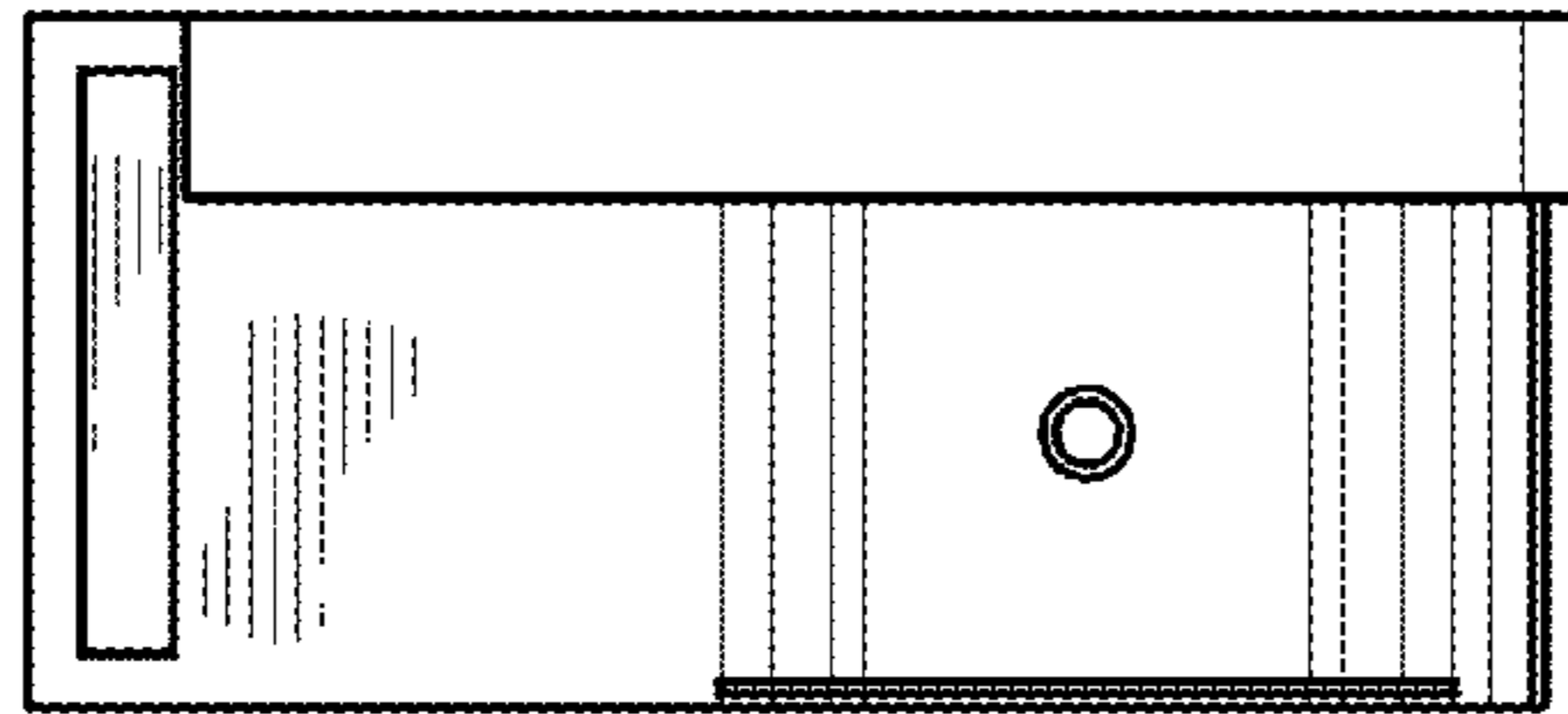


Fig. 5

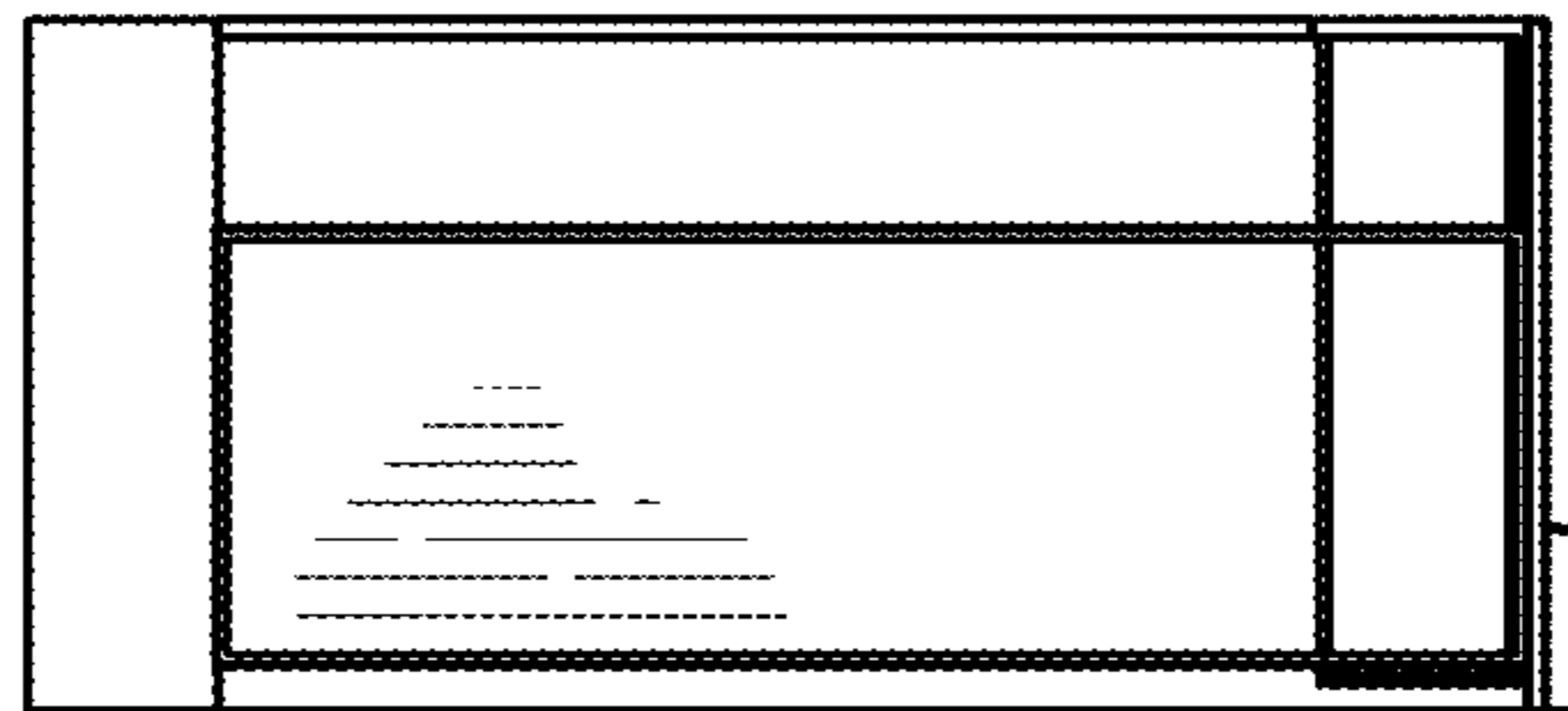


Fig. 6

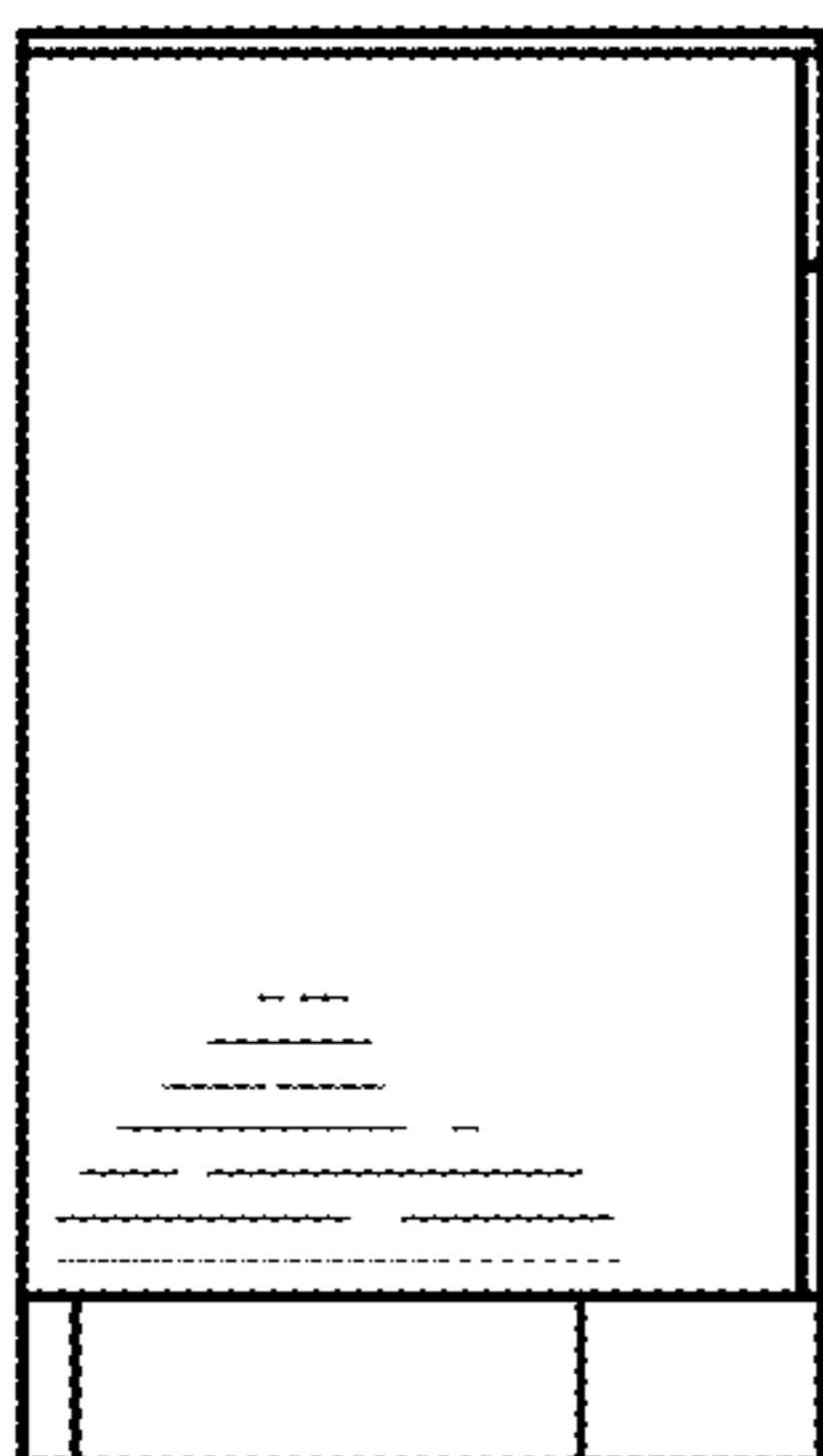


Fig. 7

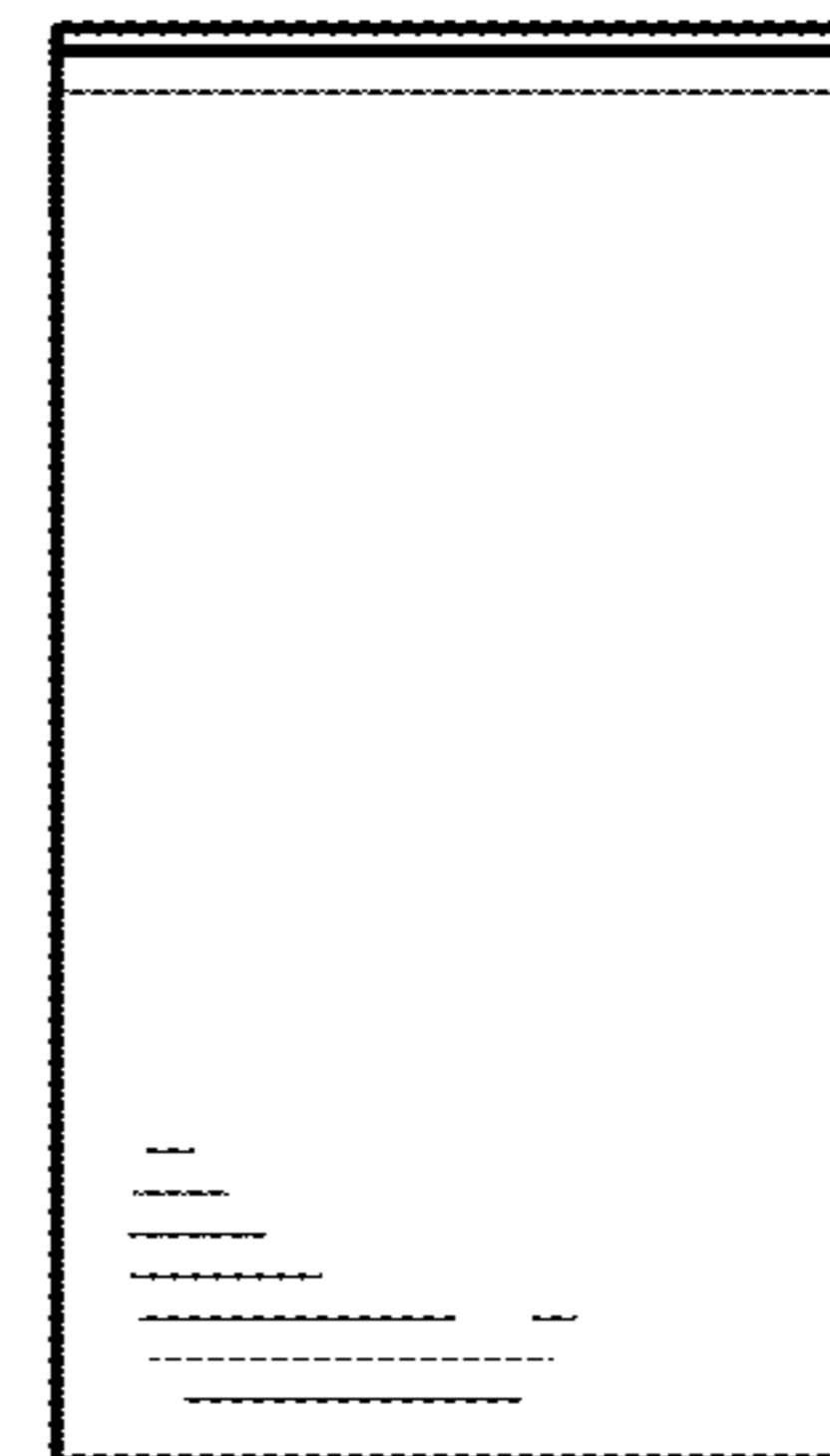


Fig. 8