



US00D727478S

(12) **United States Design Patent**
Mayer et al.

(10) **Patent No.:** **US D727,478 S**

(45) **Date of Patent:** **** Apr. 21, 2015**

(54) **COMBINATION CABINET AND SINK WITH MIRROR**

(71) Applicant: **Deco Lav, Inc.**, Boca Raton, FL (US)

(72) Inventors: **Robert Mayer**, Boca Raton, FL (US);
Kristina Gros, Boca Raton, FL (US);
Matt Muenster, Boca Raton, FL (US)

(73) Assignee: **Deco Lav, Inc.**, Boca Raton, FL (US)

(**) Term: **14 Years**

(21) Appl. No.: **29/476,507**

(22) Filed: **Dec. 13, 2013**

(51) **LOC (10) Cl.** **23-02**

(52) **U.S. Cl.**
USPC **D23/286; D6/300**

(58) **Field of Classification Search**
USPC D23/286, 272-274, 303, 308, 284, 287;
D24/234; 4/630-631, 638, 643;
D6/444, 642, 633, 300, 664.1, 671,
D6/671.3, 655, 654.1, 654.16; 312/228,
312/224, 227

See application file for complete search history.

(56) **References Cited**

U.S. PATENT DOCUMENTS

| | | | |
|----------------|---------|------------------|---------|
| D261,928 S * | 11/1981 | Mornaghini | D23/286 |
| D487,547 S * | 3/2004 | Pomodoro | D6/426 |
| D499,468 S * | 12/2004 | Trepanier | D23/286 |
| D499,800 S * | 12/2004 | Trepanier | D23/286 |
| D567,536 S * | 4/2008 | Paterson | D6/436 |
| D588,242 S * | 3/2009 | Hanna | D23/284 |
| D669,704 S * | 10/2012 | Zambelli | D6/436 |
| 8,424,128 B2 * | 4/2013 | Dvorak | 4/630 |
| D699,823 S * | 2/2014 | Newson | D23/284 |

* cited by examiner

Primary Examiner — Robert Delehanty

(74) *Attorney, Agent, or Firm* — Mark Terry

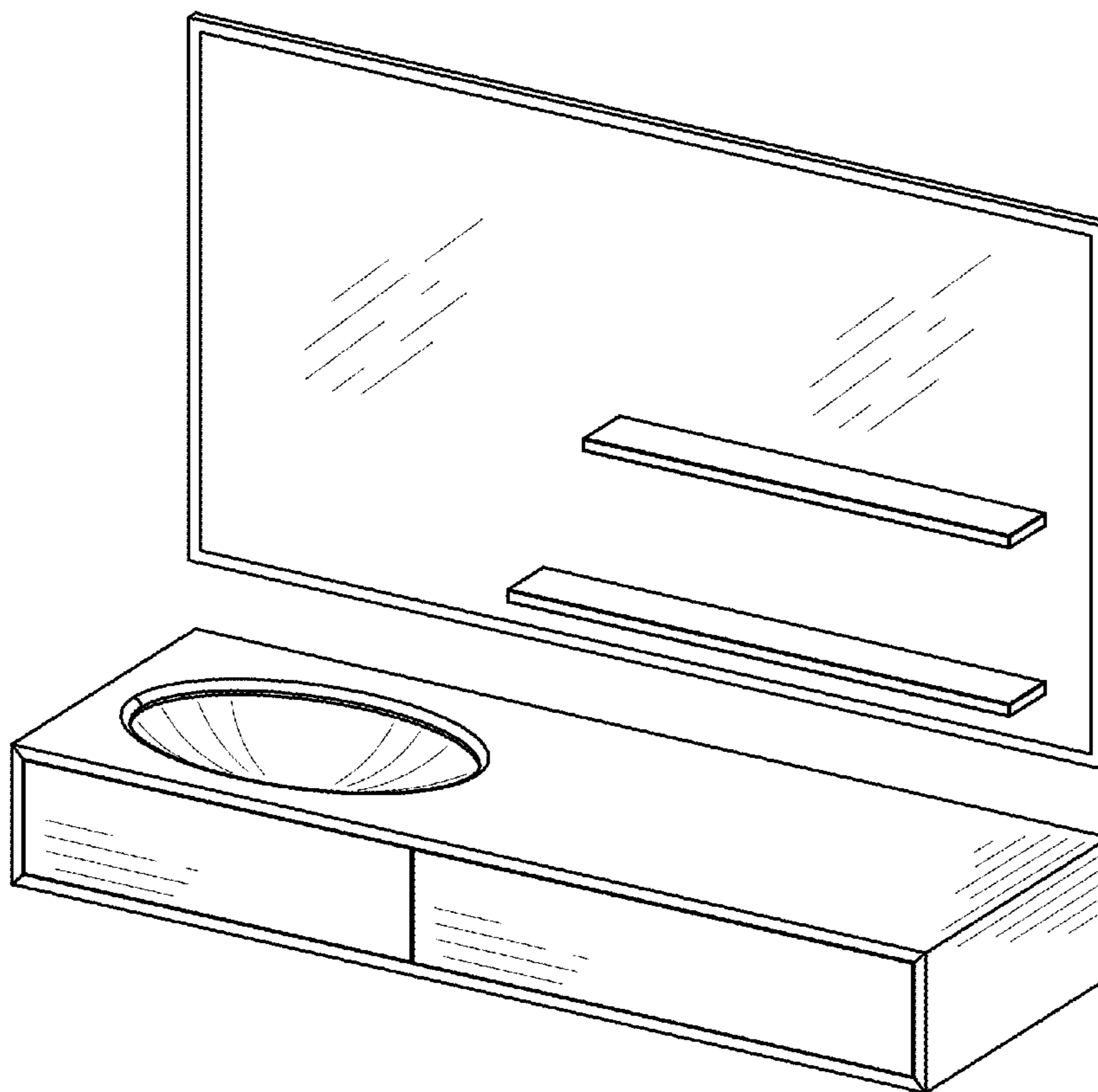
(57) **CLAIM**

The ornamental design for a combination cabinet and sink with mirror, as shown and described.

DESCRIPTION

FIG. 1 is a top perspective view of a combination cabinet and sink with mirror, showing the new design; FIG. 2 is a bottom perspective view thereof; FIG. 3 is a top view thereof; FIG. 4 is a bottom view thereof; FIG. 5 is a front view thereof; FIG. 6 is a left side view thereof; and, FIG. 7 is a right side view thereof.

1 Claim, 4 Drawing Sheets



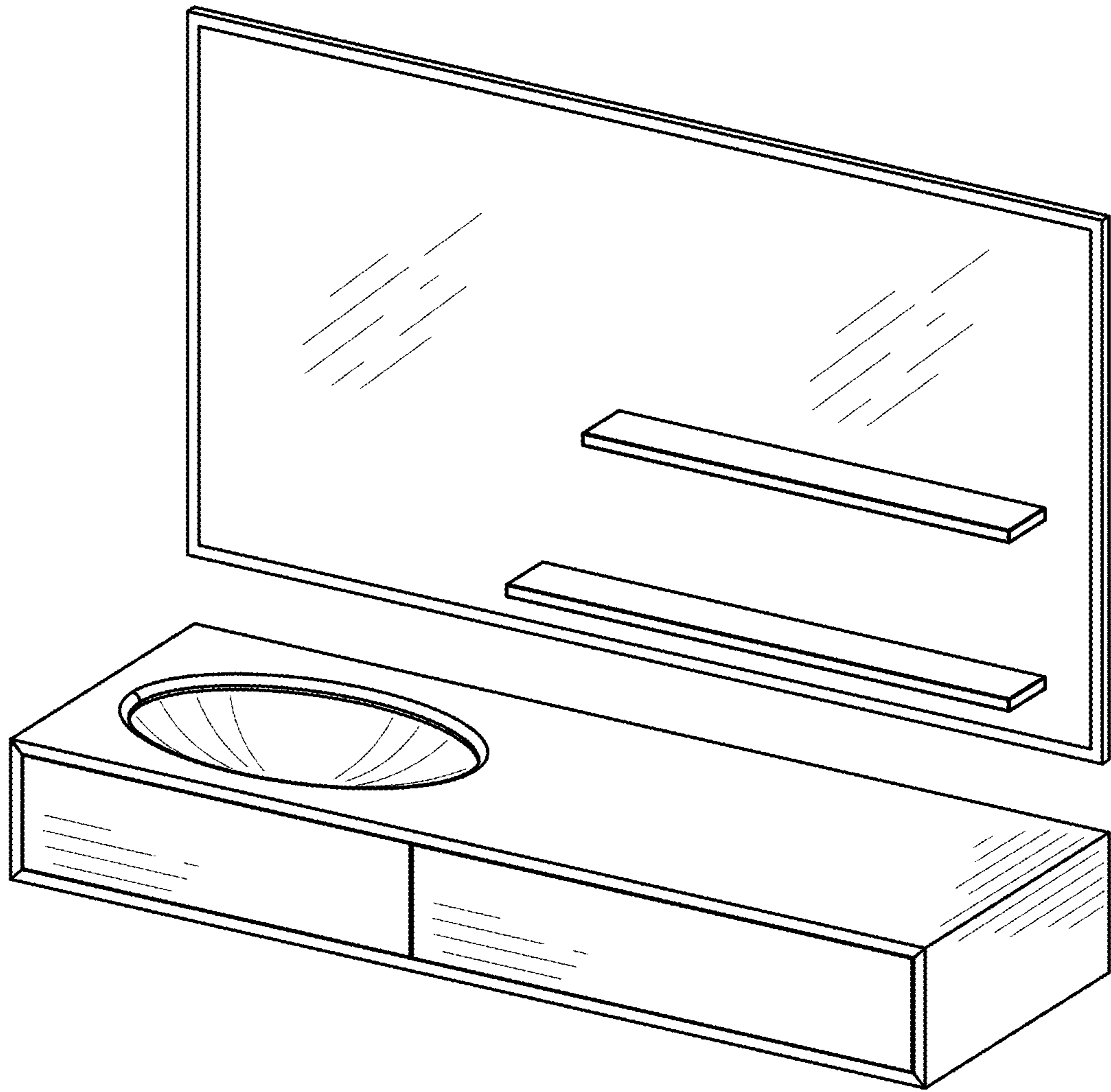


Fig. 1

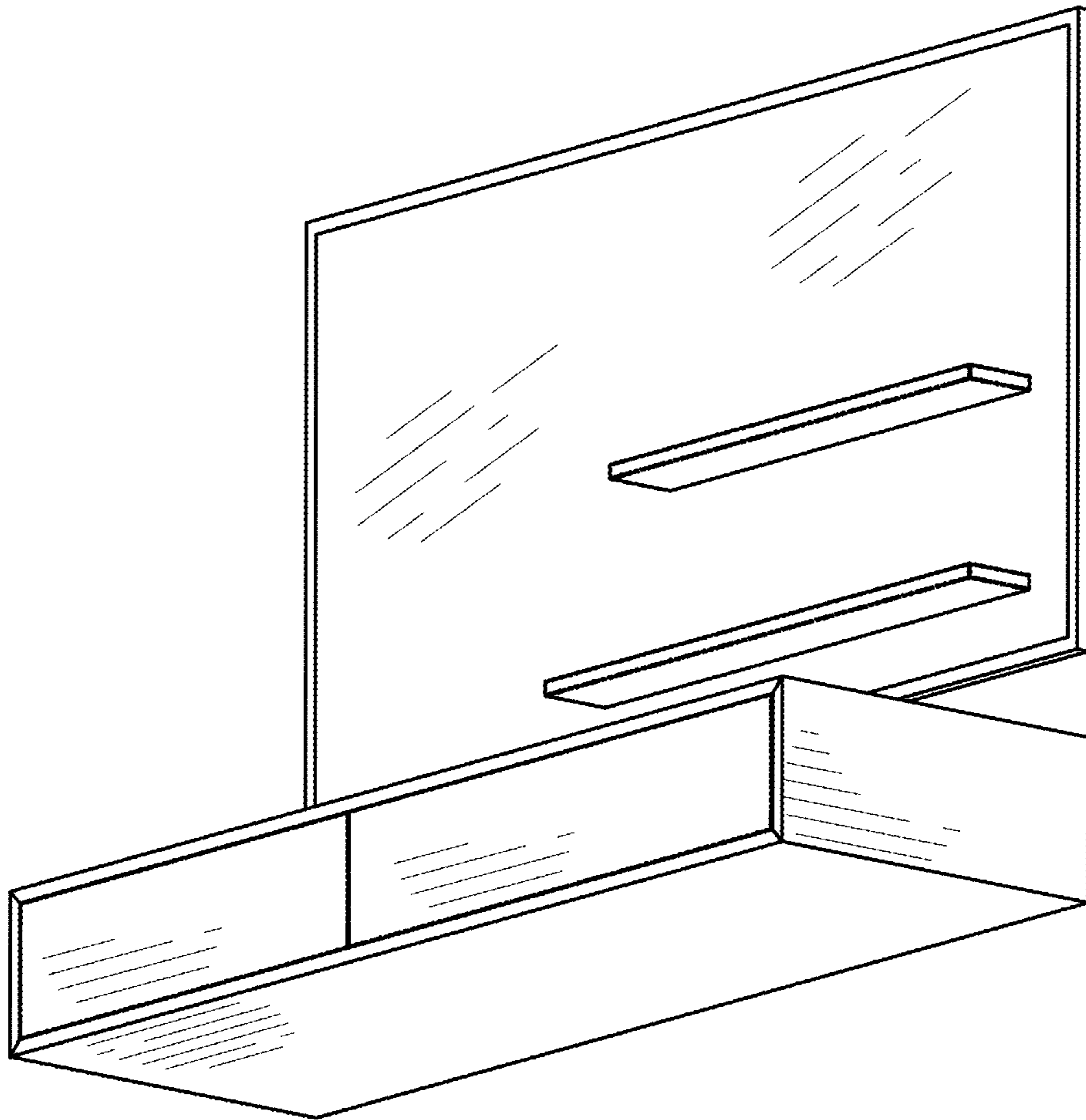


Fig. 2

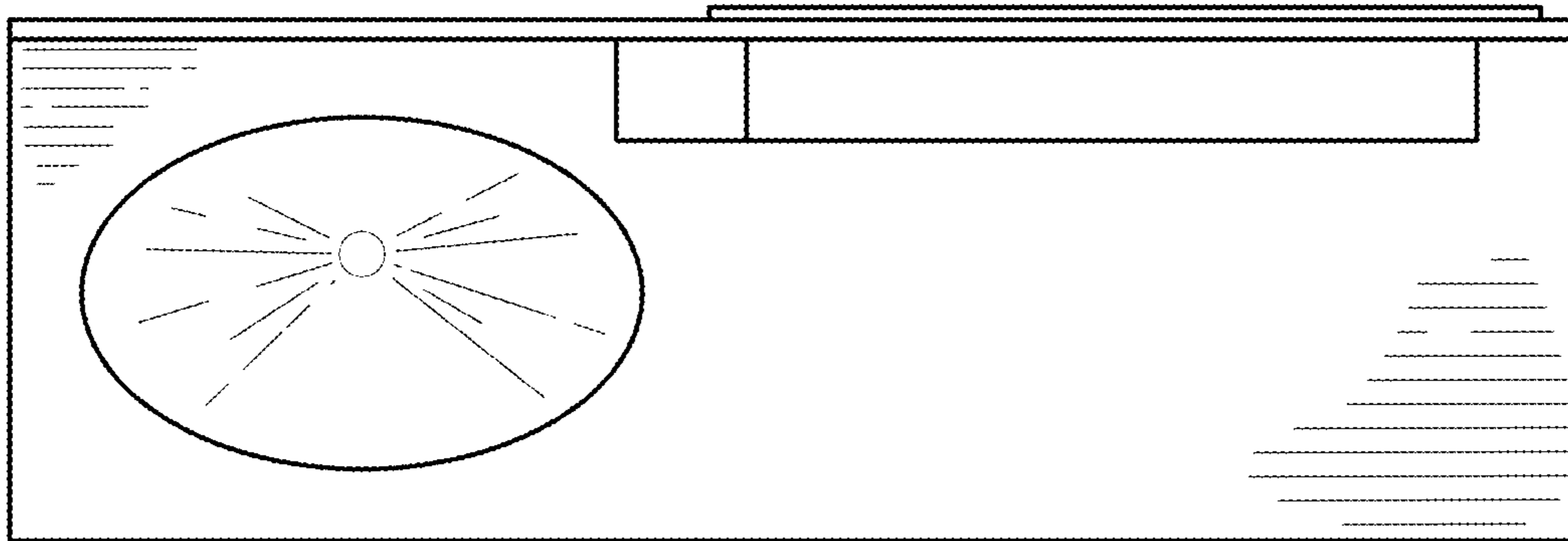


Fig. 3

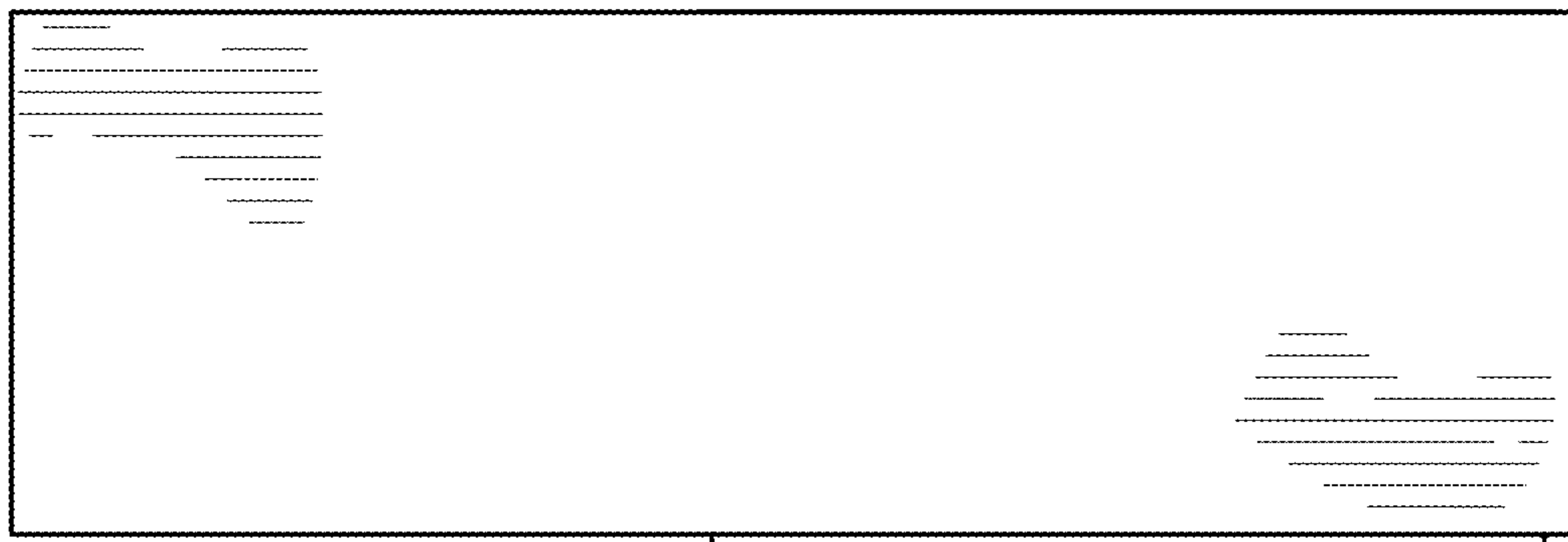


Fig. 4

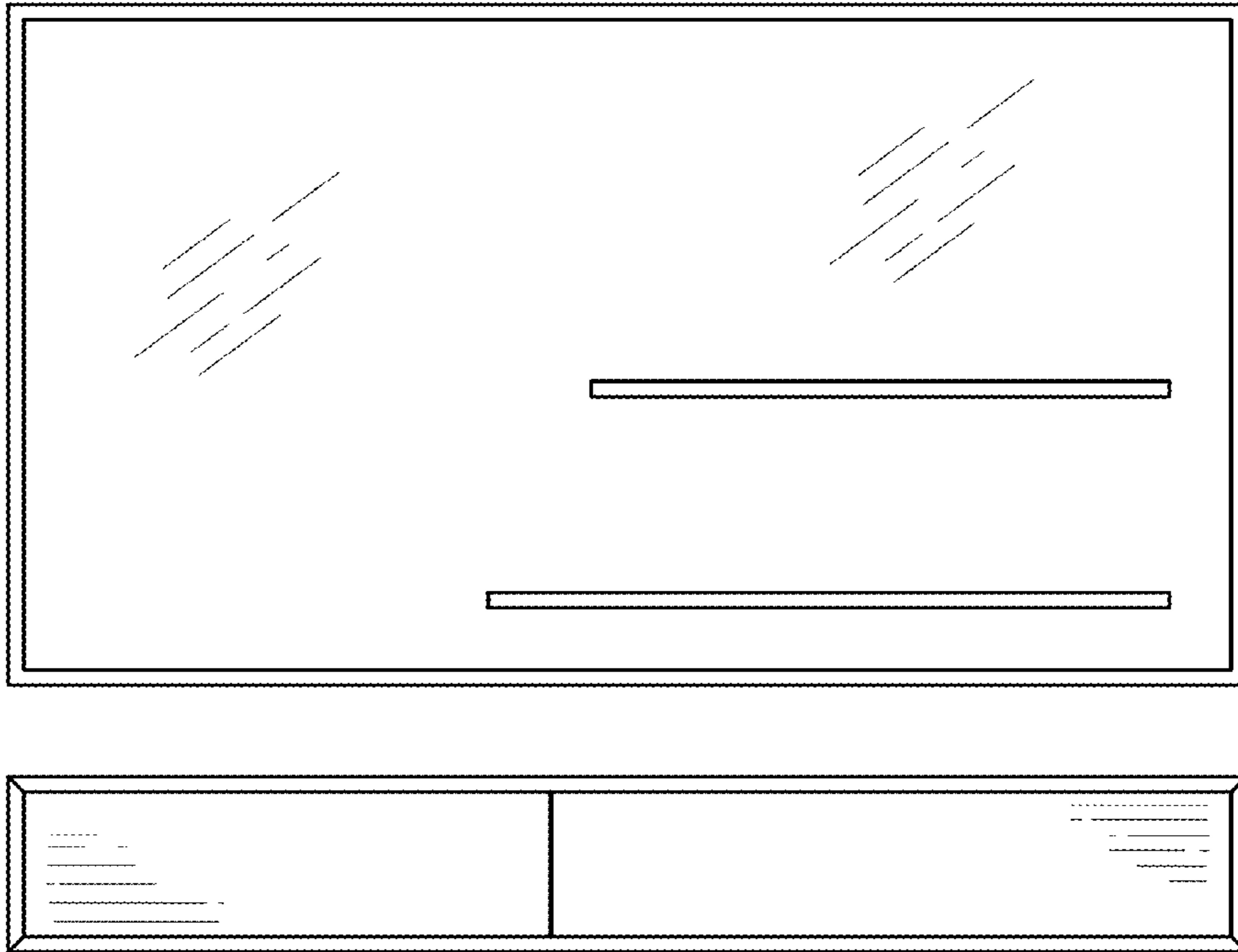


Fig. 5

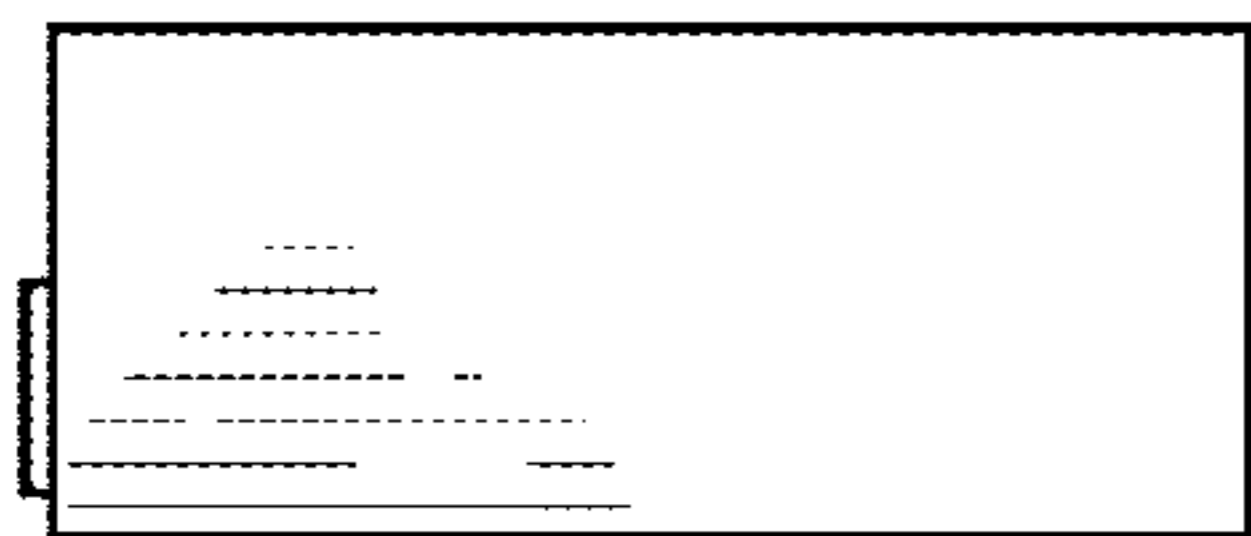
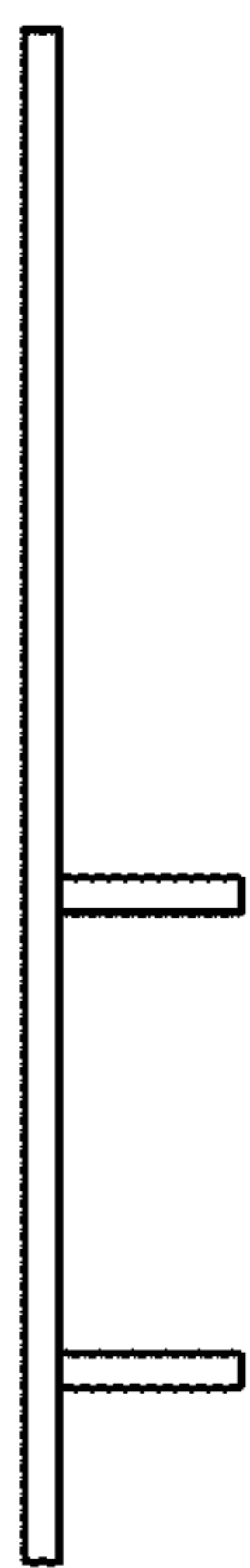


Fig. 6

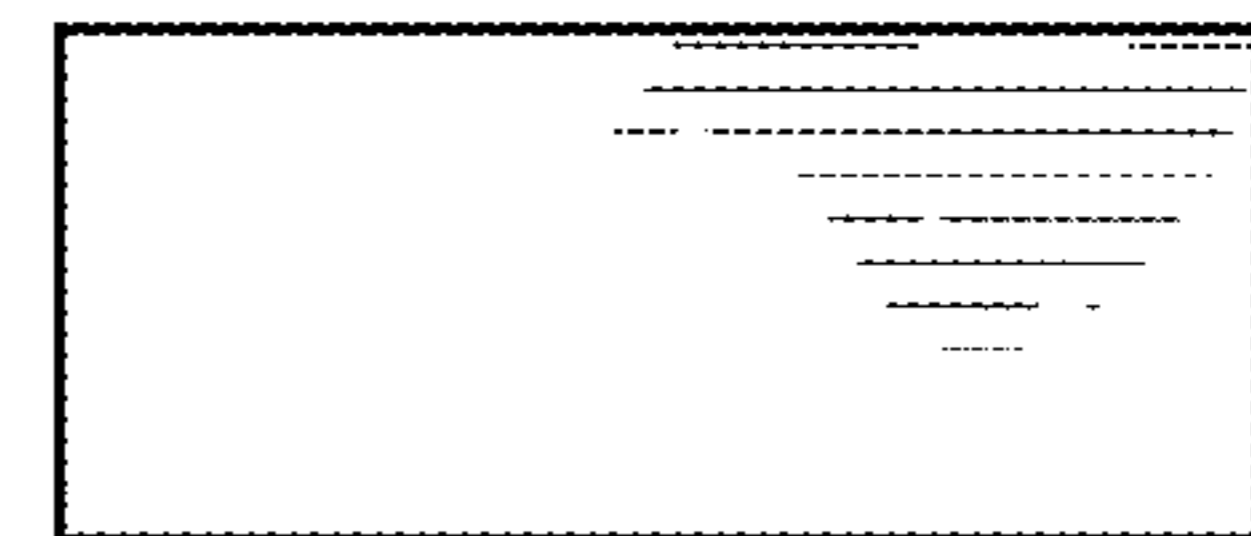
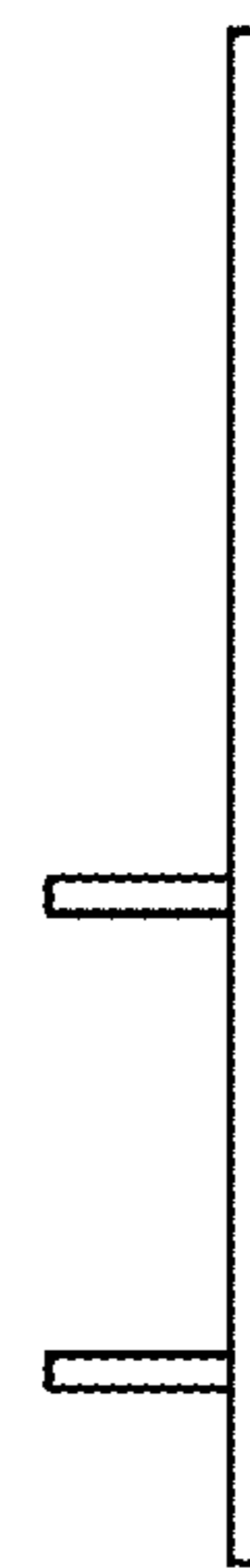


Fig. 7