



US00D727477S

(12) **United States Design Patent**  
**Mayer et al.**

(10) **Patent No.:** **US D727,477 S**

(45) **Date of Patent:** **\*\* Apr. 21, 2015**

(54) **CABINET AND MIRROR**

(71) Applicant: **Deco Lav, Inc.**, Boca Raton, FL (US)

(72) Inventors: **Robert Mayer**, Boca Raton, FL (US);  
**Kristina Gros**, Boca Raton, FL (US);  
**Matt Muenster**, Boca Raton, FL (US)

(73) Assignee: **Deco Lav, Inc.**, Boca Raton, FL (US)

(\*\*) Term: **14 Years**

(21) Appl. No.: **29/475,002**

(22) Filed: **Nov. 27, 2013**

(51) **LOC (10) Cl.** ..... **23-02**

(52) **U.S. Cl.**

USPC ..... **D23/286; D6/300**

(58) **Field of Classification Search**

USPC ..... D23/286, 272-274, 303, 308; D24/234;  
4/630-631, 638, 643; D6/444, 642,  
D6/633, 300, 664.1, 671, 671.3, 655;  
312/228, 224, 227

See application file for complete search history.

(56) **References Cited**

U.S. PATENT DOCUMENTS

D495,527 S \* 9/2004 Walker ..... D6/436  
D545,574 S \* 7/2007 Mischel, Jr. .... D6/300  
D667,413 S \* 9/2012 Song ..... D14/448  
D721,166 S \* 1/2015 Kim et al. .... D23/286

\* cited by examiner

*Primary Examiner* — Robert Delehanty

(74) *Attorney, Agent, or Firm* — Mark Terry

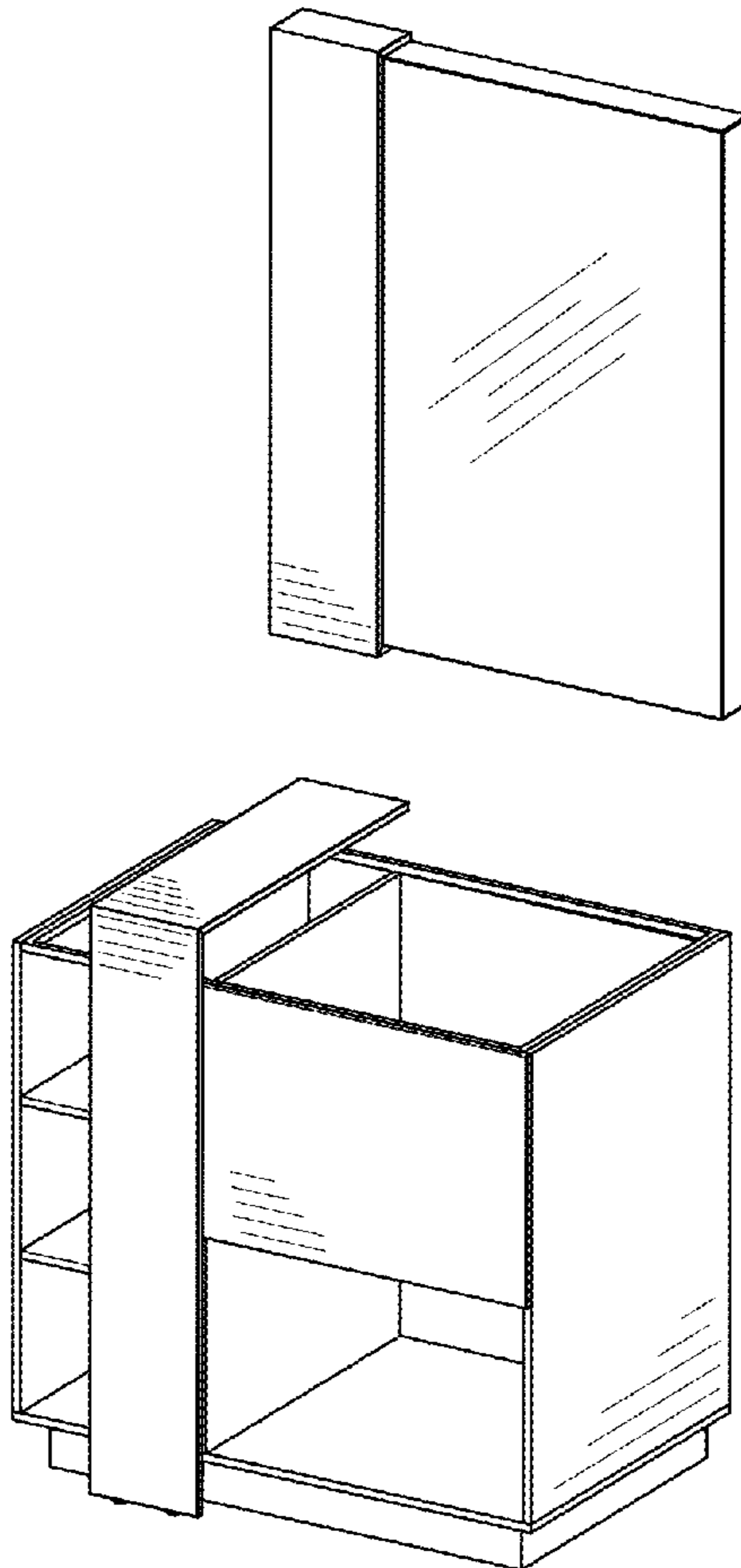
(57) **CLAIM**

The ornamental design for a cabinet and mirror, as shown and described.

**DESCRIPTION**

FIG. 1 is a top perspective view of a cabinet and mirror, showing the new design;  
FIG. 2 is a bottom perspective view thereof;  
FIG. 3 is a top view thereof;  
FIG. 4 is a front view thereof;  
FIG. 5 is a bottom view thereof;  
FIG. 6 is a left side view thereof; and,  
FIG. 7 is a right side view thereof.

**1 Claim, 4 Drawing Sheets**



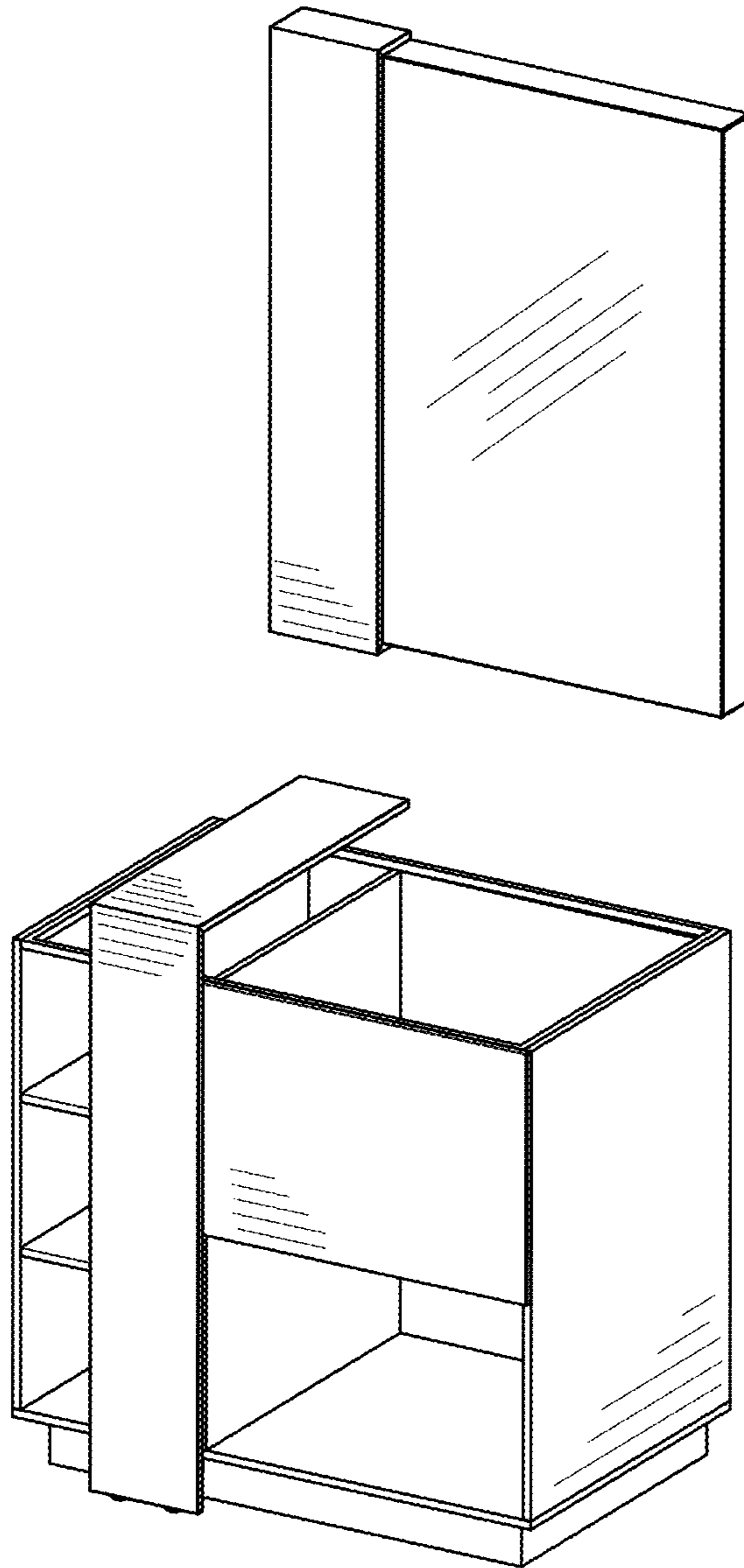


Fig. 1

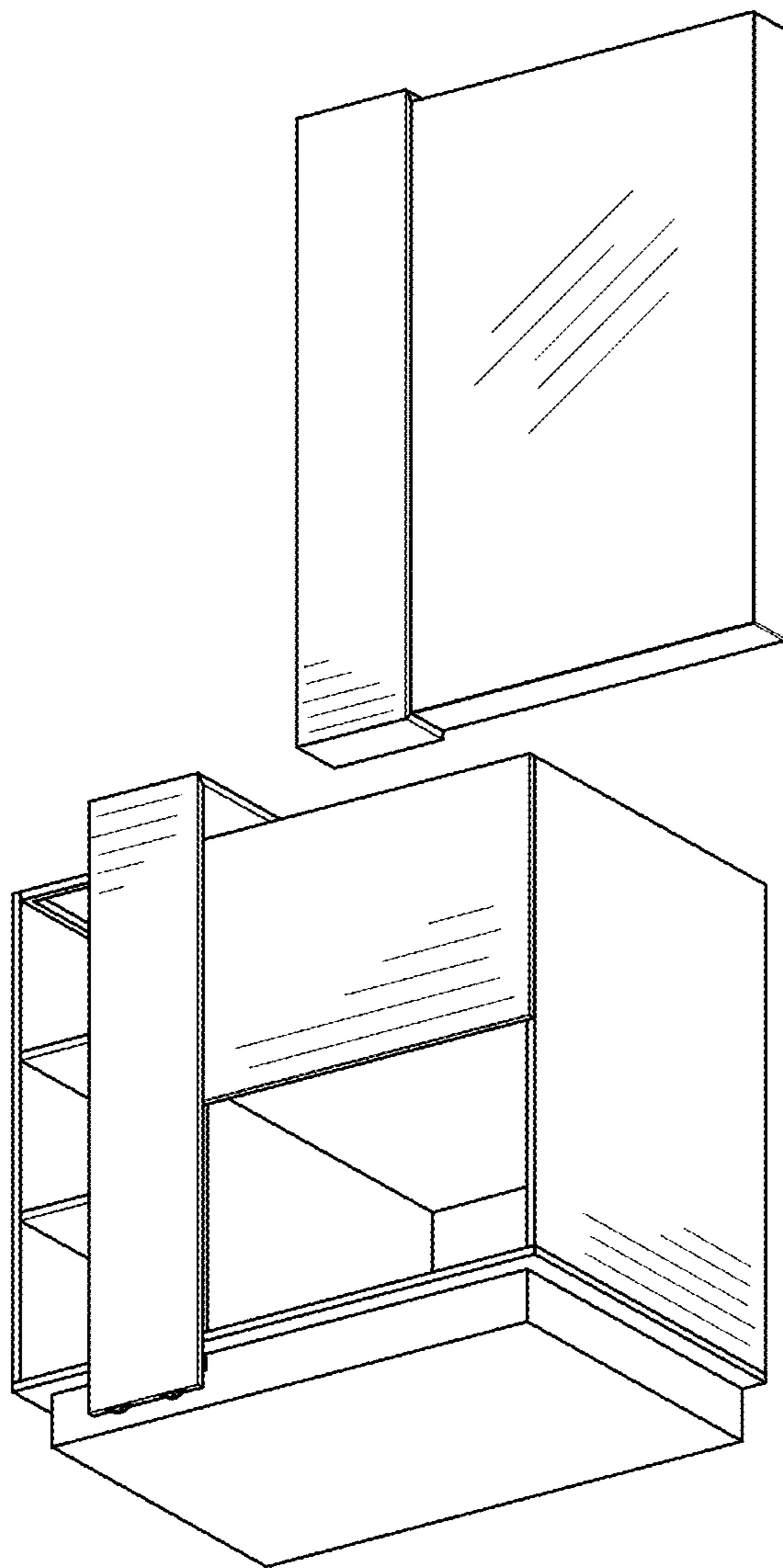


Fig. 2

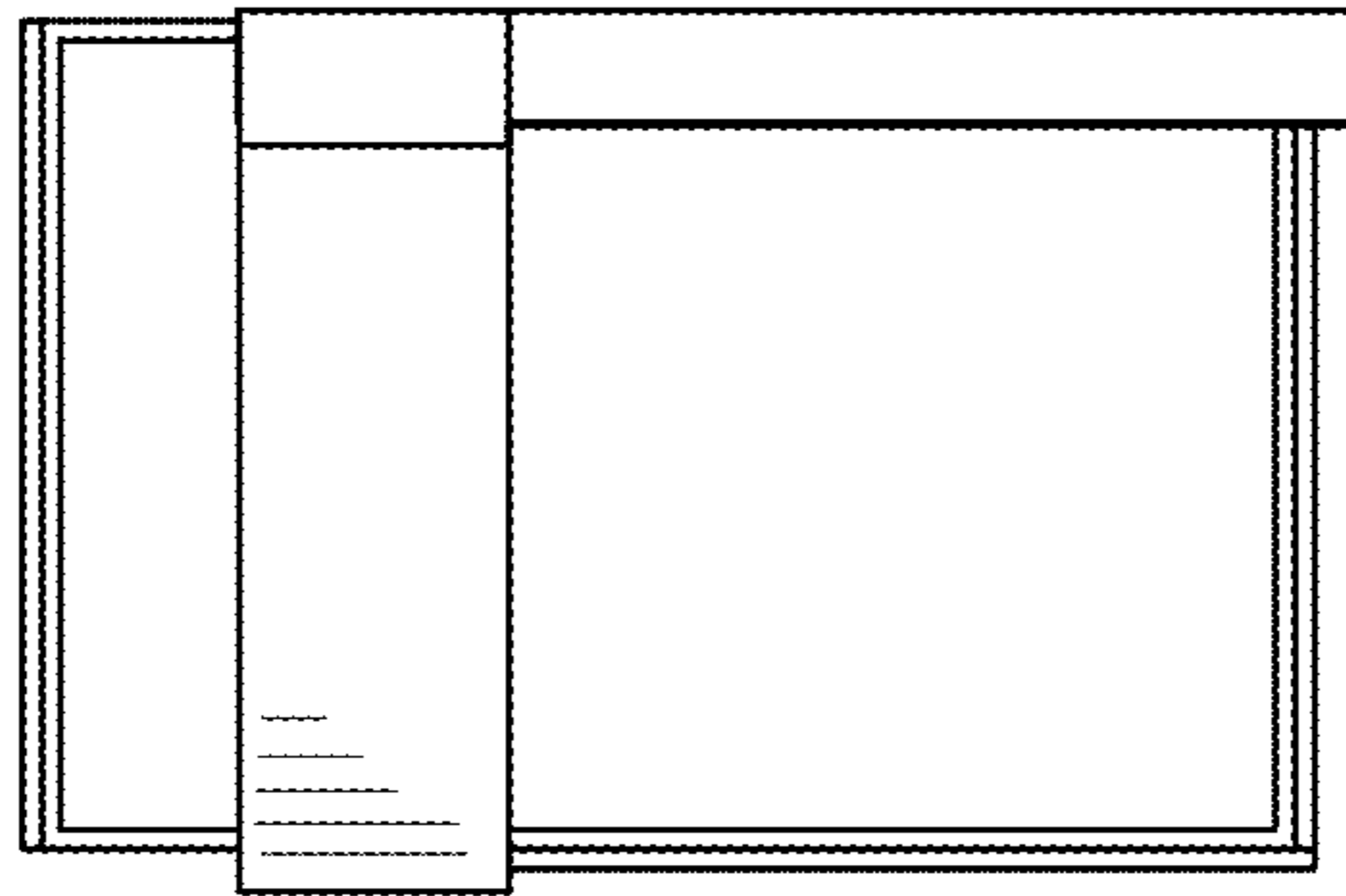


Fig. 3

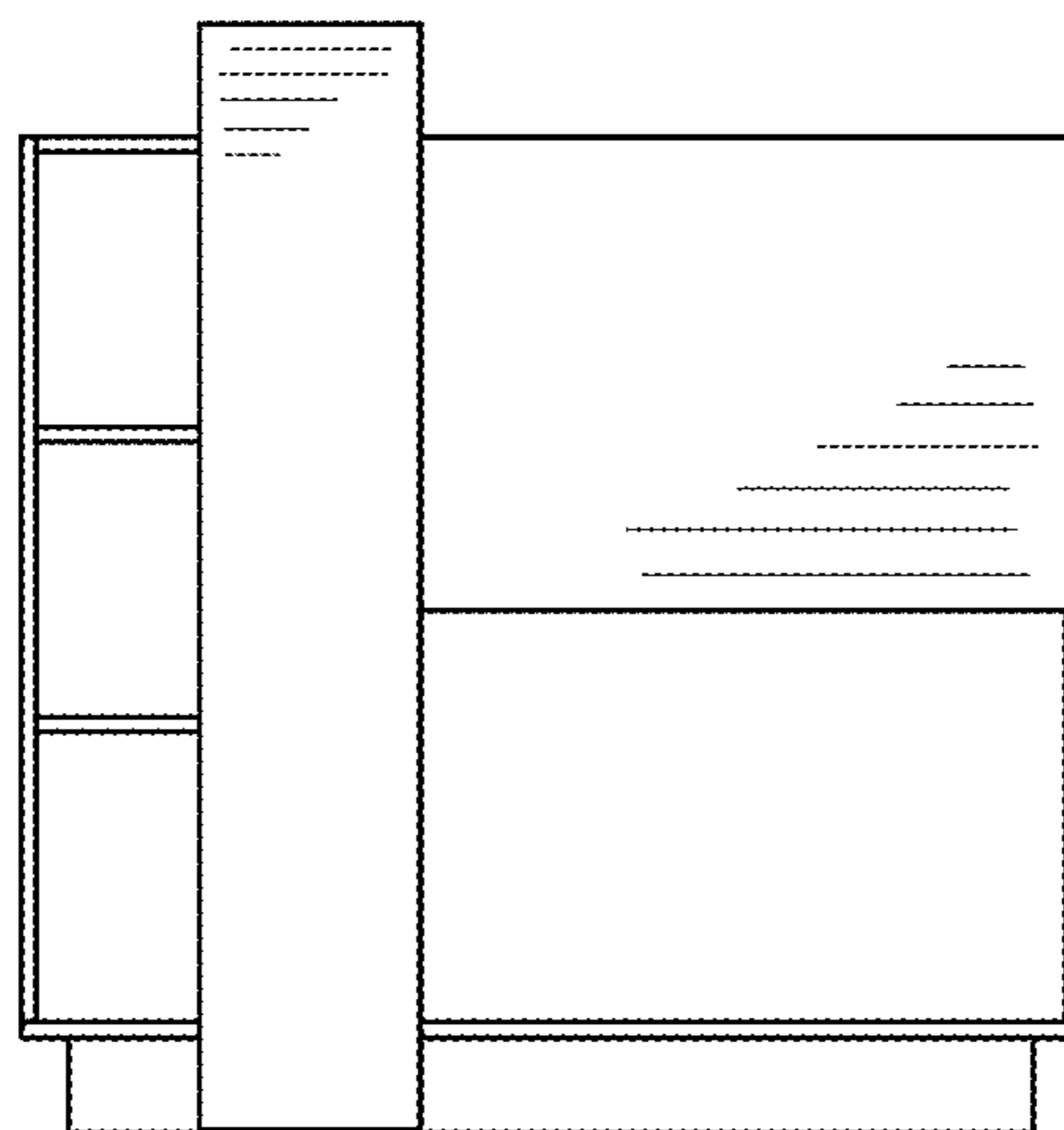
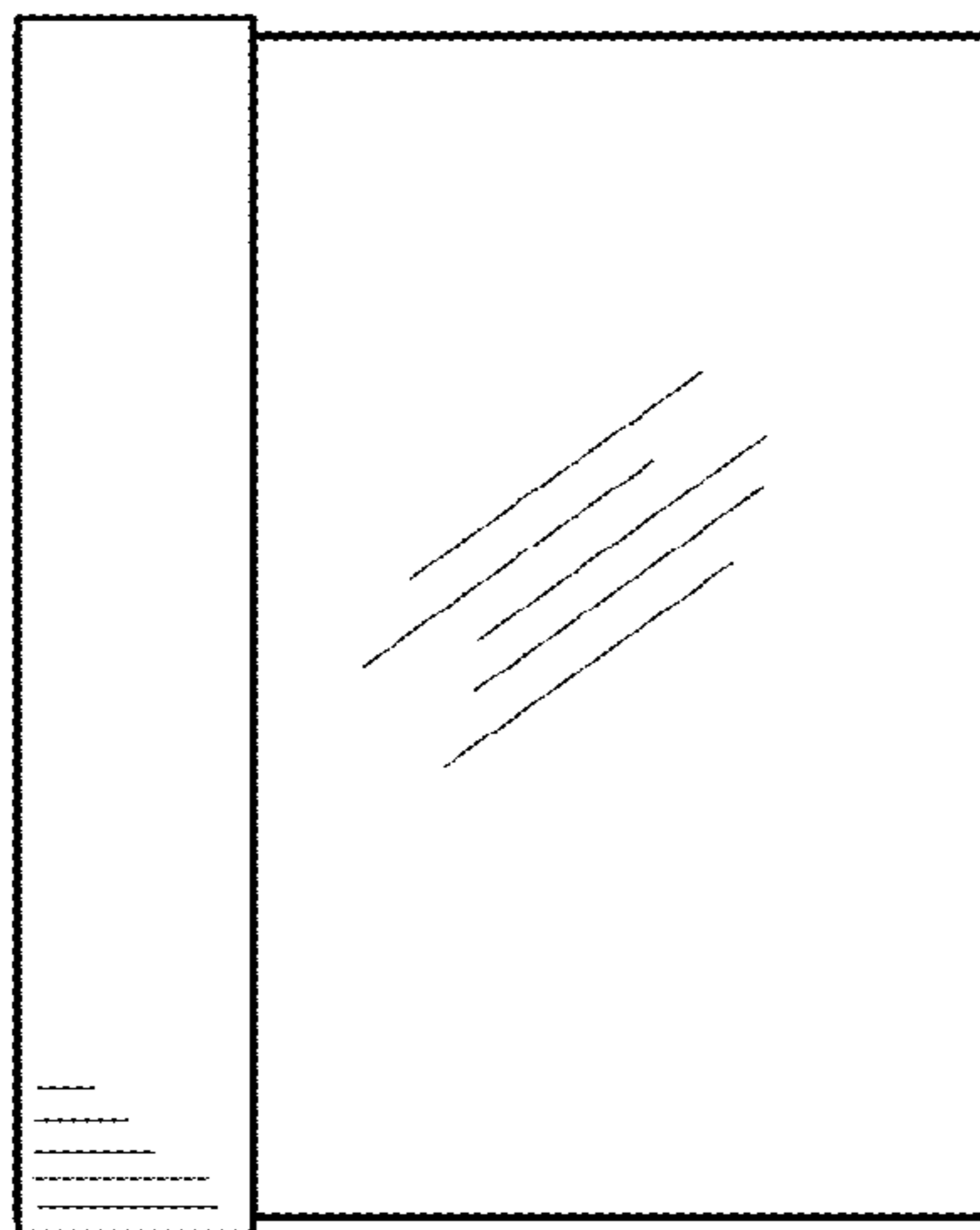


Fig. 4

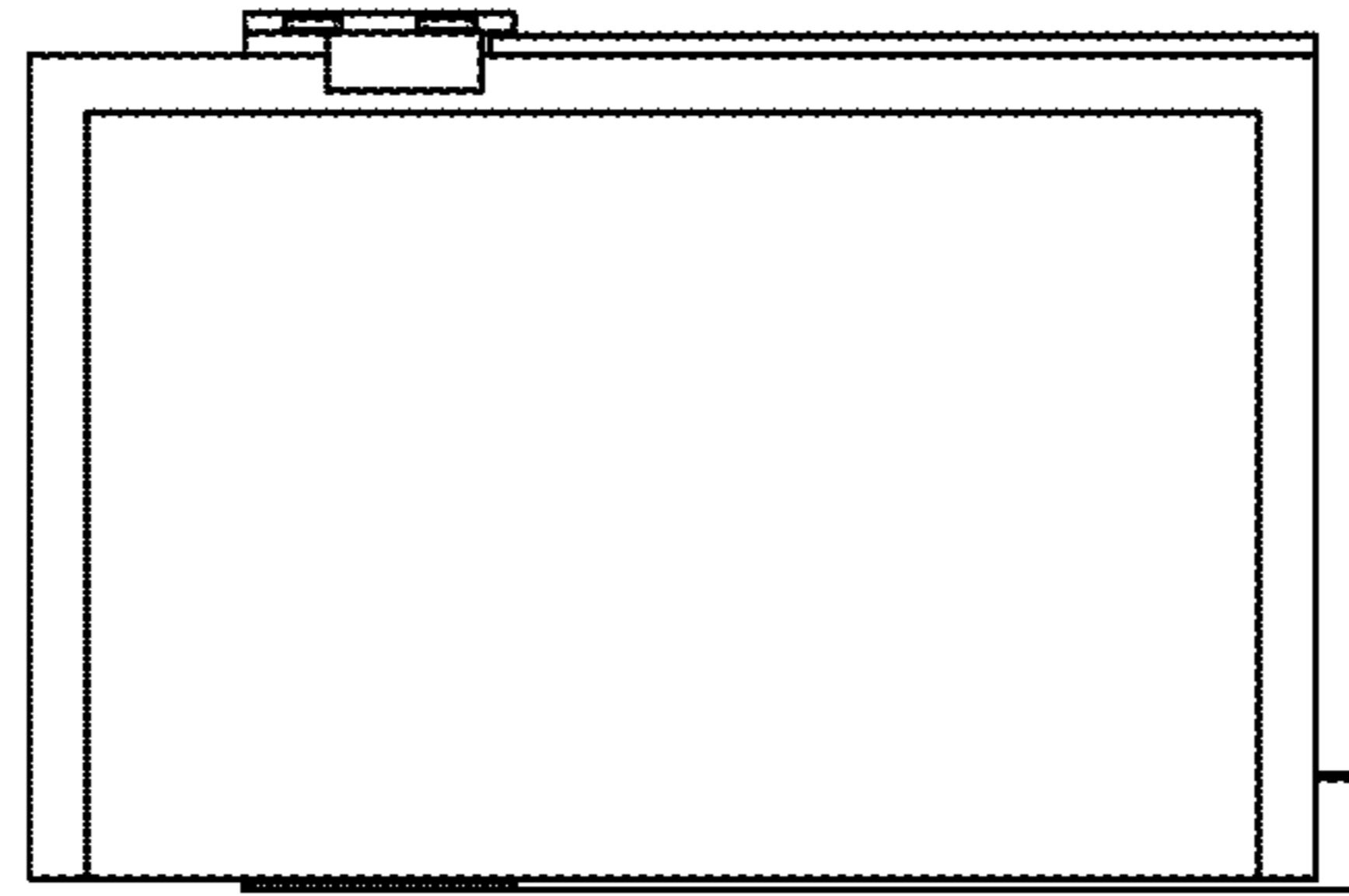


Fig. 5

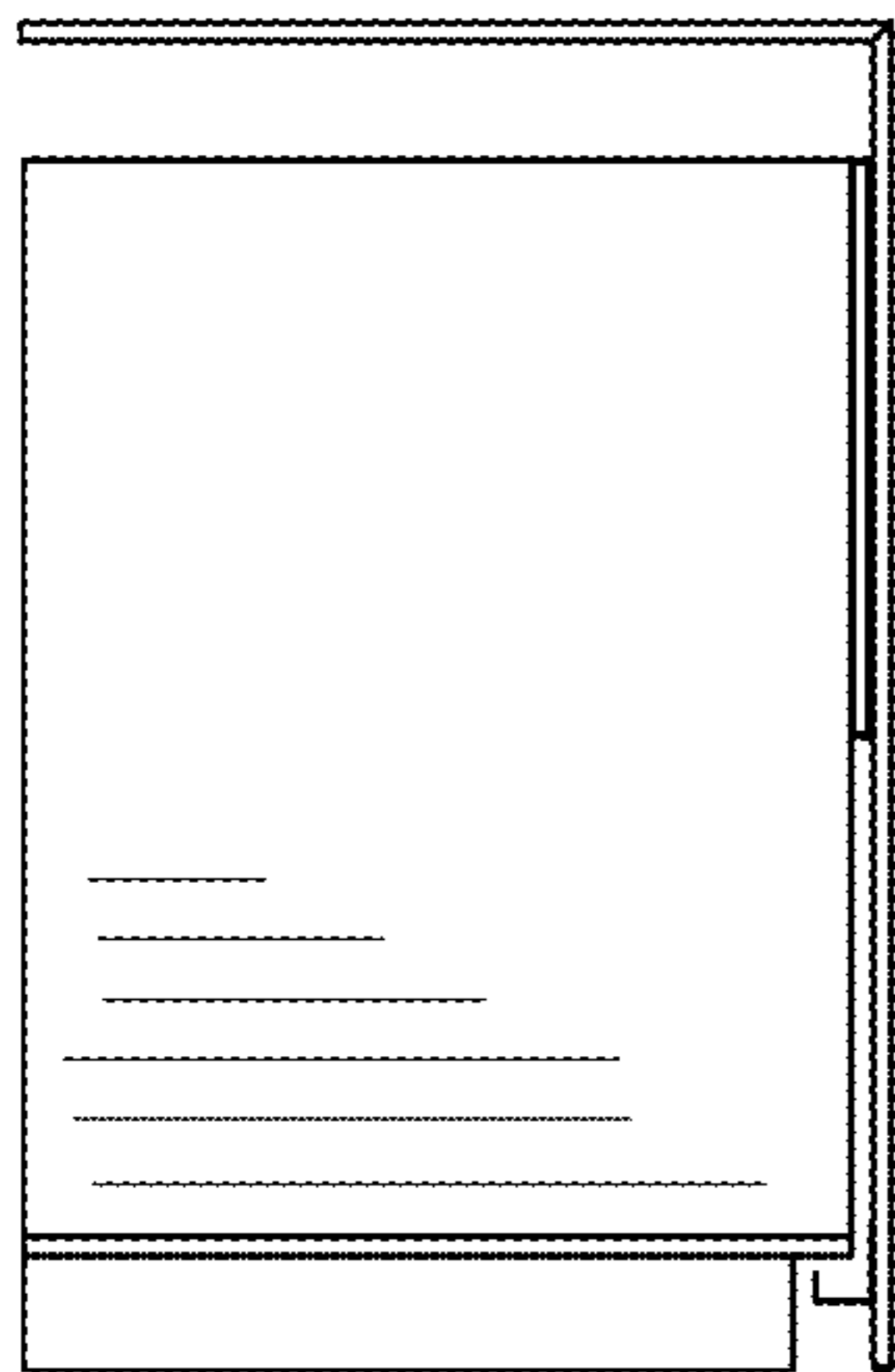
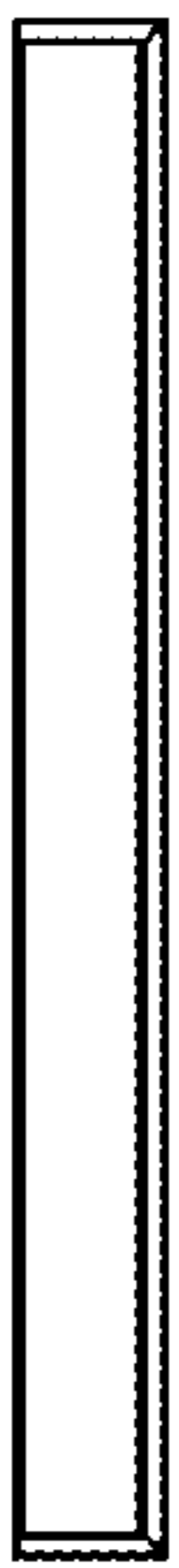


Fig. 6

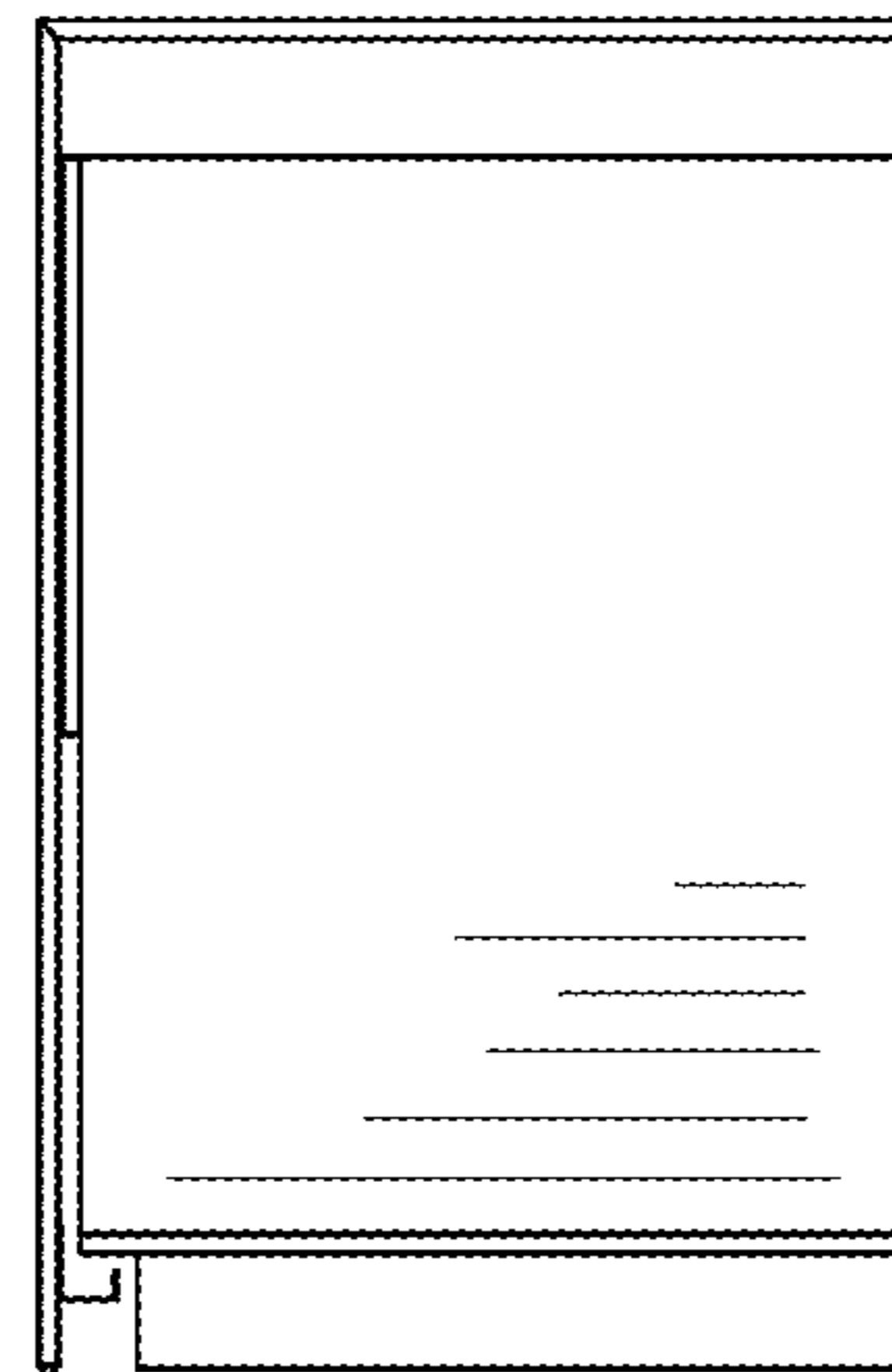


Fig. 7