



US00D727472S

(12) **United States Design Patent**  
**Bednarz et al.**

(10) **Patent No.:** **US D727,472 S**  
(45) **Date of Patent:** **\*\* Apr. 21, 2015**

(54) **PIPE FITTING**

(71) Applicants: **Anthony Gary Bednarz**, Dighton, MA (US); **Robert R. Smith**, Villa Rica, GA (US); **Larry E. Hall**, Pell City, AL (US); **Donald Eugene Griggs, III**, Oxford, AL (US)

(72) Inventors: **Anthony Gary Bednarz**, Dighton, MA (US); **Robert R. Smith**, Villa Rica, GA (US); **Larry E. Hall**, Pell City, AL (US); **Donald Eugene Griggs, III**, Oxford, AL (US)

(73) Assignee: **Tyco Fire Products LP**, Lansdale, PA (US)

(\*\*) Term: **14 Years**

(21) Appl. No.: **29/434,498**

(22) Filed: **Oct. 12, 2012**

(51) **LOC (10) Cl.** ..... **23-01**

(52) **U.S. Cl.**  
USPC ..... **D23/263**

(58) **Field of Classification Search**  
USPC ..... D23/213, 223, 224, 229, 230, 259, 263, 266; D24/129; D13/155; 138/103, 105, 138/109, 118, 118.1, 121, 122, 126, 128, 138/140, 154, 155, 157, 158, 167, 173, 138/177; 285/58, 83, 124.1, 124.5, 179, 285/179.1

See application file for complete search history.

(56) **References Cited**

U.S. PATENT DOCUMENTS

D52,954 S \* 2/1919 Hubbard et al. .... D13/155  
D52,956 S \* 2/1919 Hubbard et al. .... D13/155  
D53,689 S \* 8/1919 Pickop et al. .... D23/263  
D132,938 S \* 6/1942 Corley et al. .... D23/263  
D135,633 S \* 5/1943 Stark et al. .... D23/263

D135,634 S \* 5/1943 Stark et al. .... D23/263  
D348,723 S \* 7/1994 Carroll ..... D23/263  
D389,562 S \* 1/1998 Picton ..... D23/263  
D480,786 S \* 10/2003 Wilk et al. .... D23/263  
D480,787 S \* 10/2003 Wilk et al. .... D23/263  
D481,109 S \* 10/2003 Dole et al. .... D23/263  
D481,110 S \* 10/2003 Snyder et al. .... D23/263  
D481,447 S \* 10/2003 Dole et al. .... D23/263  
D482,103 S \* 11/2003 Snyder et al. .... D23/263  
D597,182 S \* 7/2009 Choi ..... D23/263  
D615,631 S \* 5/2010 Price et al. .... D23/263  
D634,818 S \* 3/2011 Leroyer ..... D23/263  
D634,819 S \* 3/2011 Leroyer ..... D23/263  
D652,121 S \* 1/2012 Bonhag et al. .... D23/263  
D652,122 S \* 1/2012 Bonhag et al. .... D23/263  
D656,225 S \* 3/2012 Dole et al. .... D23/263

OTHER PUBLICATIONS

Tyco Pipe Fittings, reference date Apr. 1, 2011 (online), [site visited Sep. 9, 2014. Available from internet <URL: <http://www.fireengineering.com/articles/2011/04/tyco-fire-products-introduces-new-name-for-fire-grooved-products.html>>.\*

\* cited by examiner

*Primary Examiner* — Eric Goodman

*Assistant Examiner* — Daniel J Domino

(74) *Attorney, Agent, or Firm* — Perkins Coie LLP

(57) **CLAIM**

The ornamental design for a pipe fitting, as shown and described.

**DESCRIPTION**

FIG. 1 is a top perspective view of a pipe fitting;

FIG. 2 is a bottom perspective view;

FIG. 3 is an end view;

FIG. 4 is a top view;

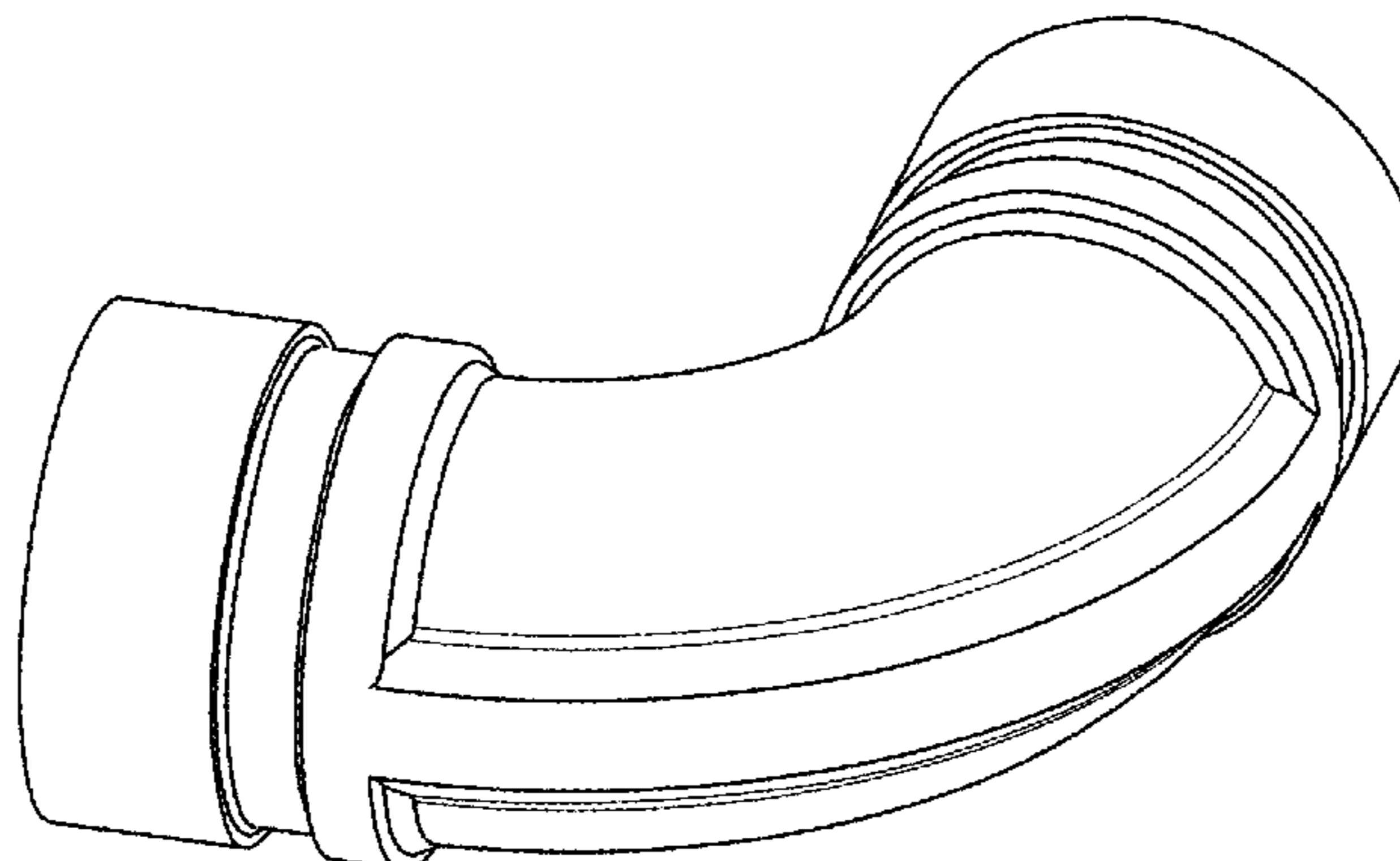
FIG. 5 is a top view;

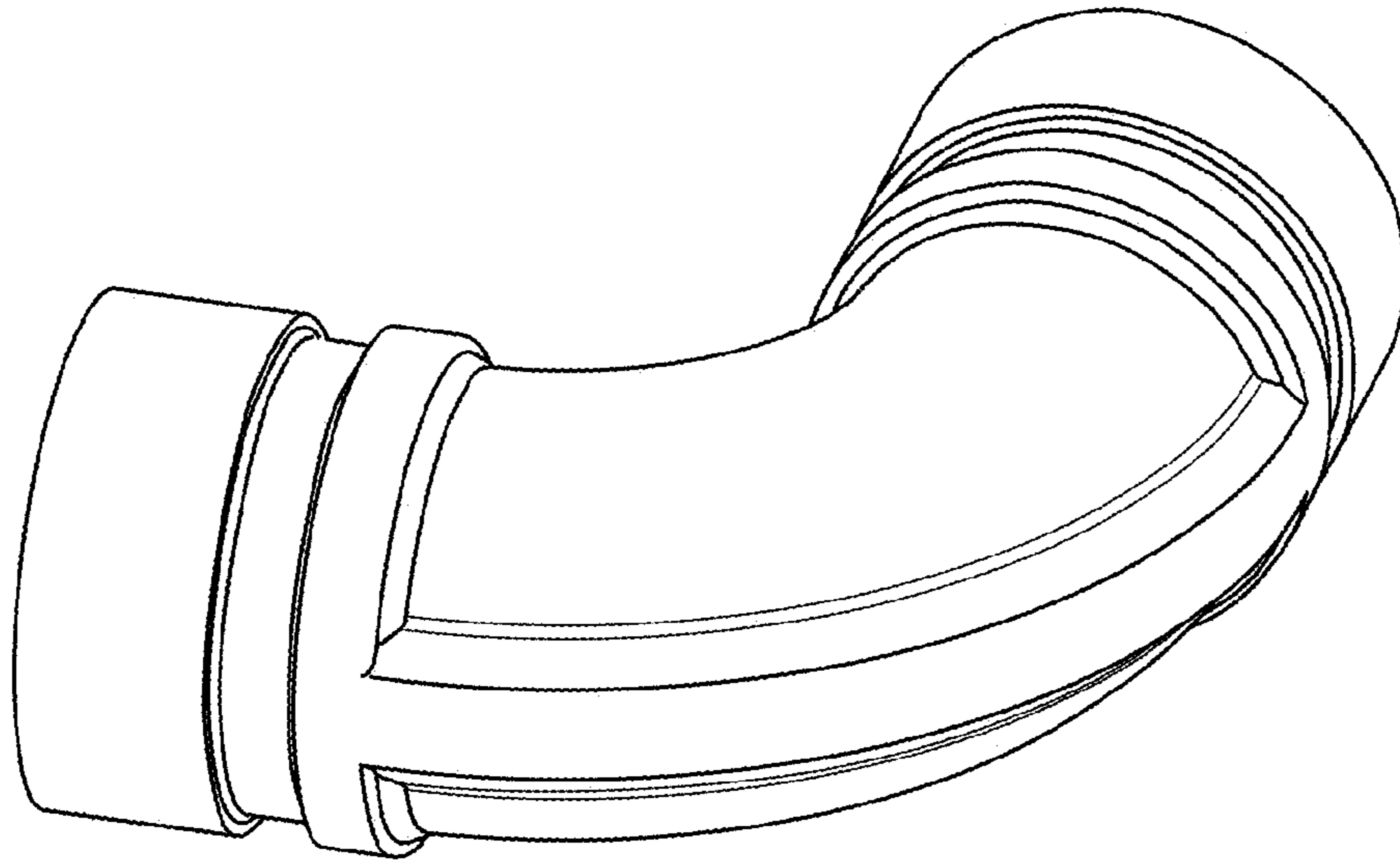
FIG. 6 is an end view;

FIG. 7 is a right side view; and,

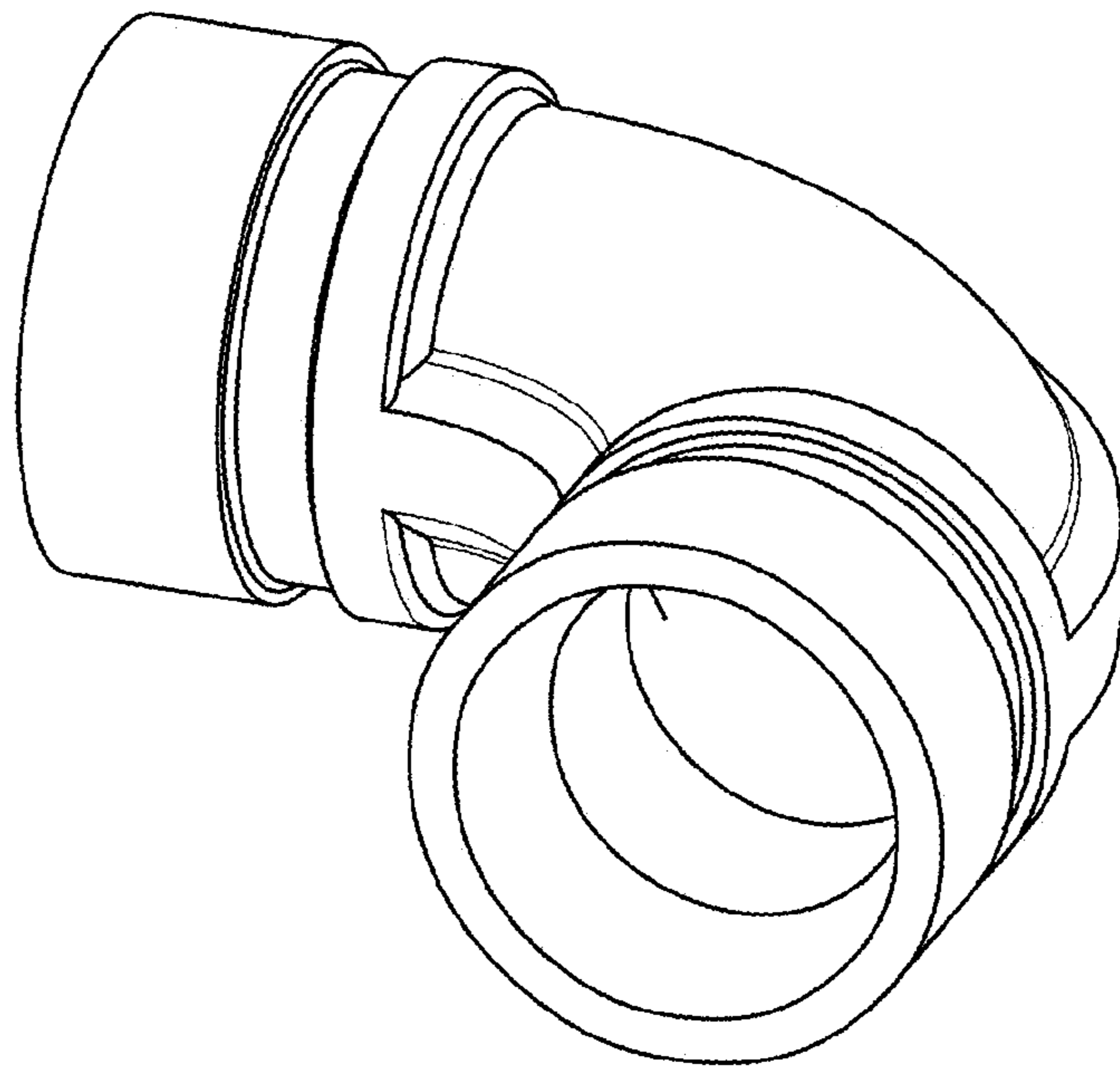
FIG. 8 is a left side view.

**1 Claim, 4 Drawing Sheets**

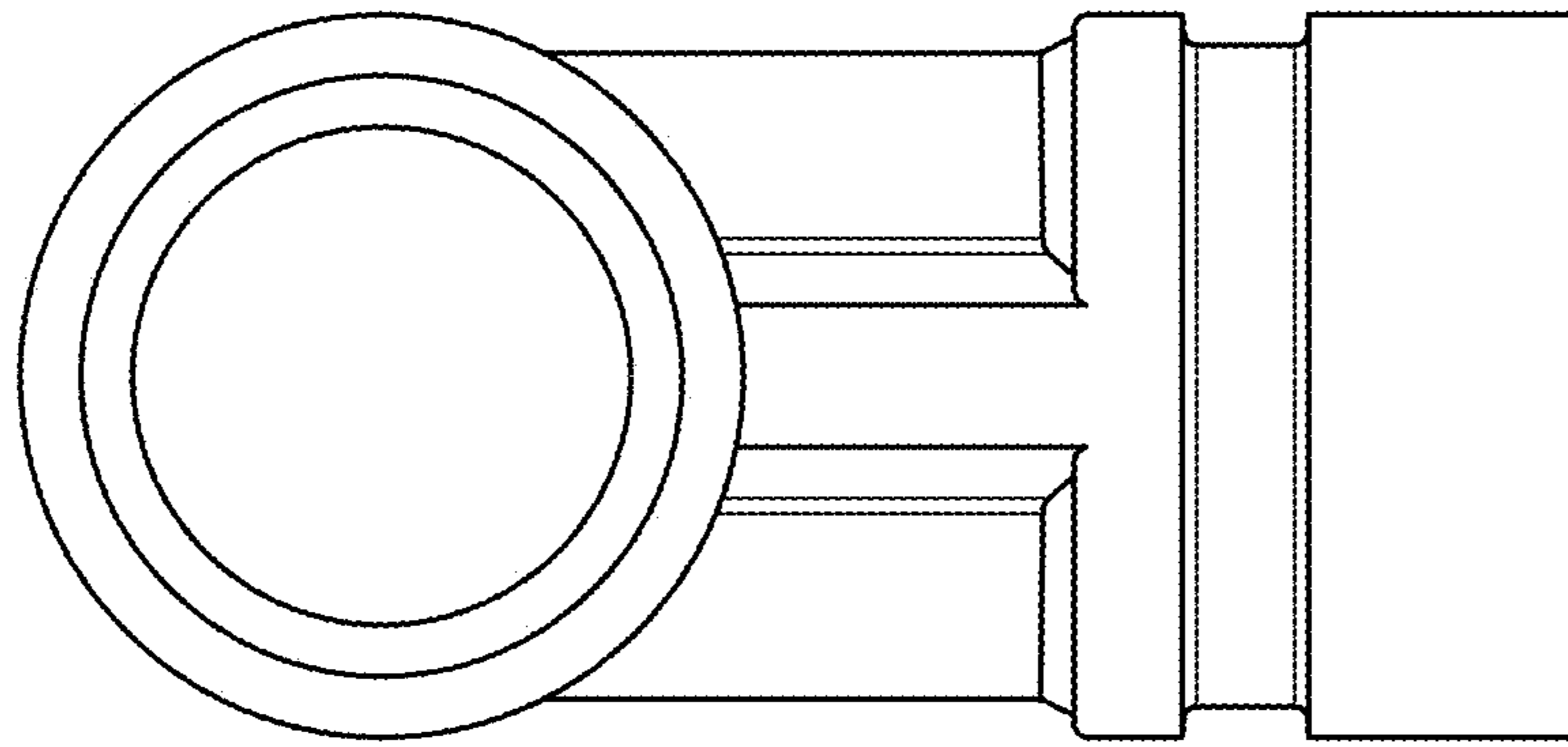




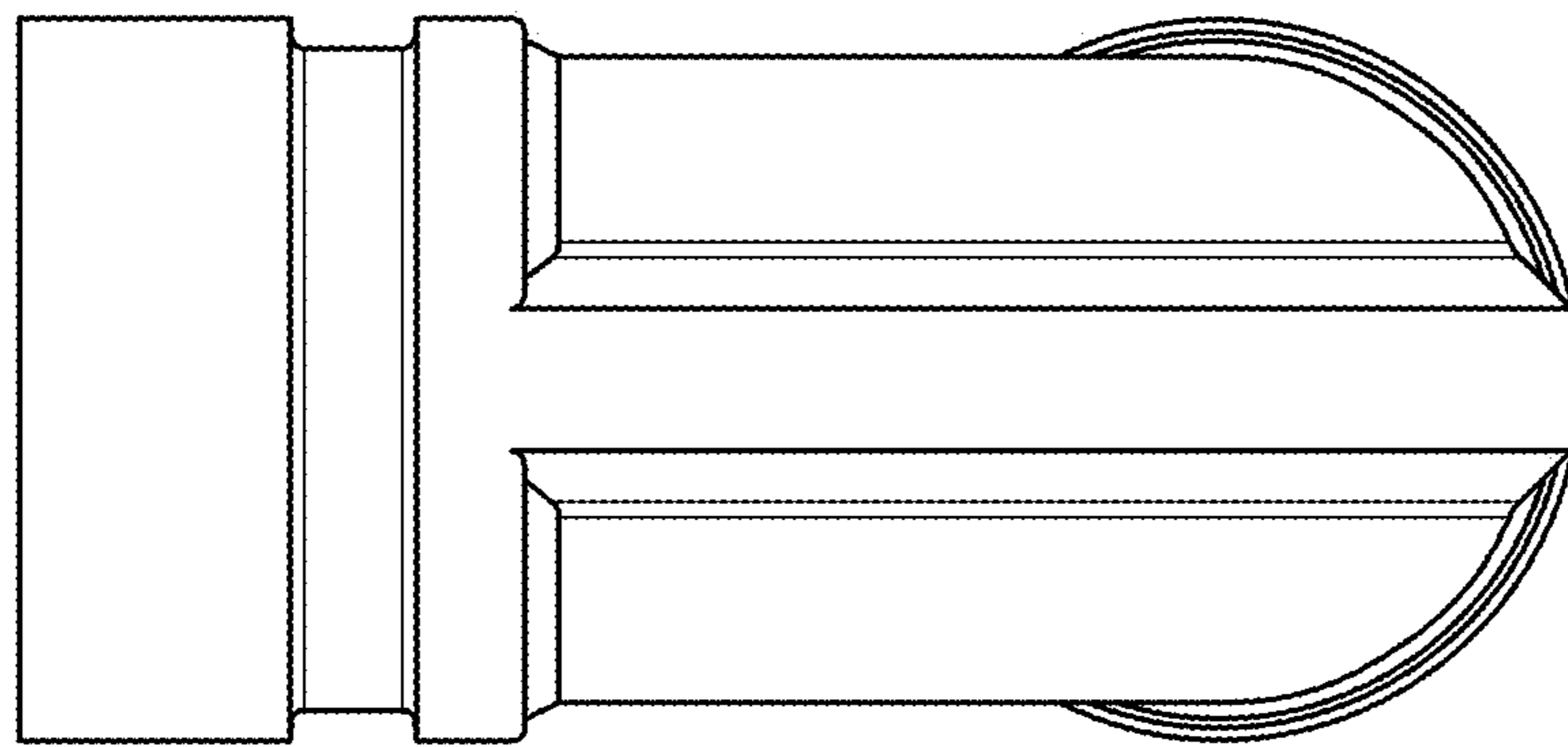
**Fig. 1**



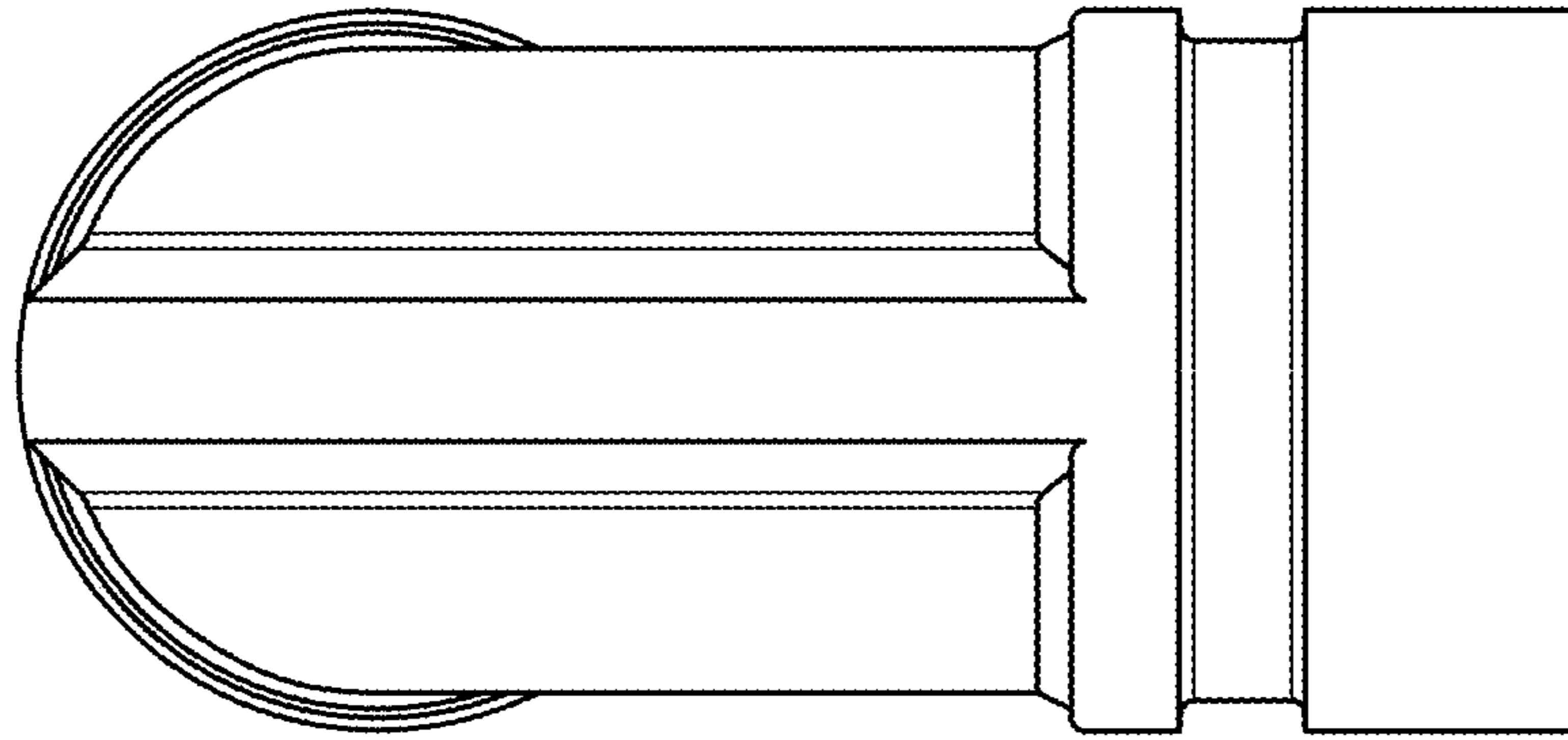
**Fig. 2**



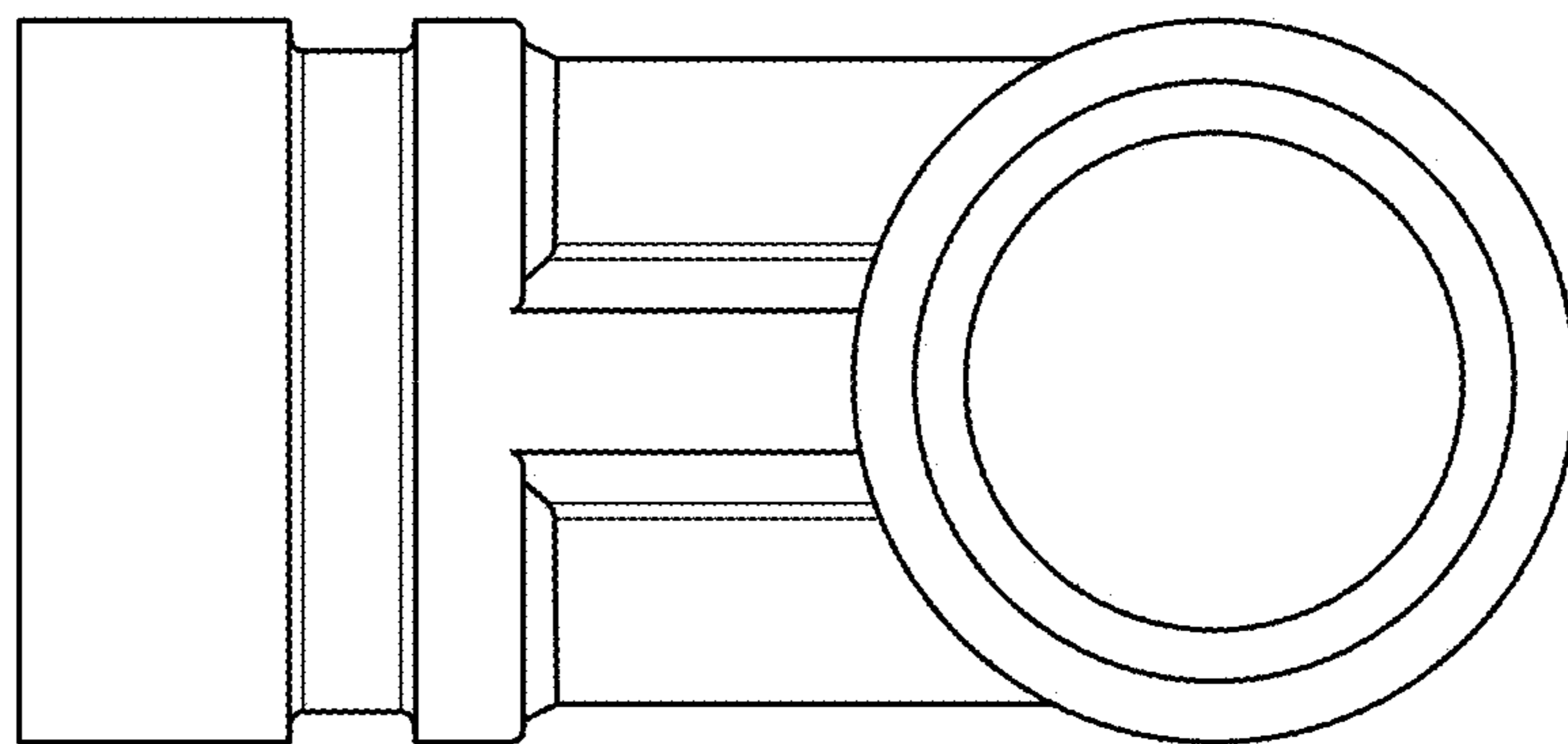
**Fig. 3**



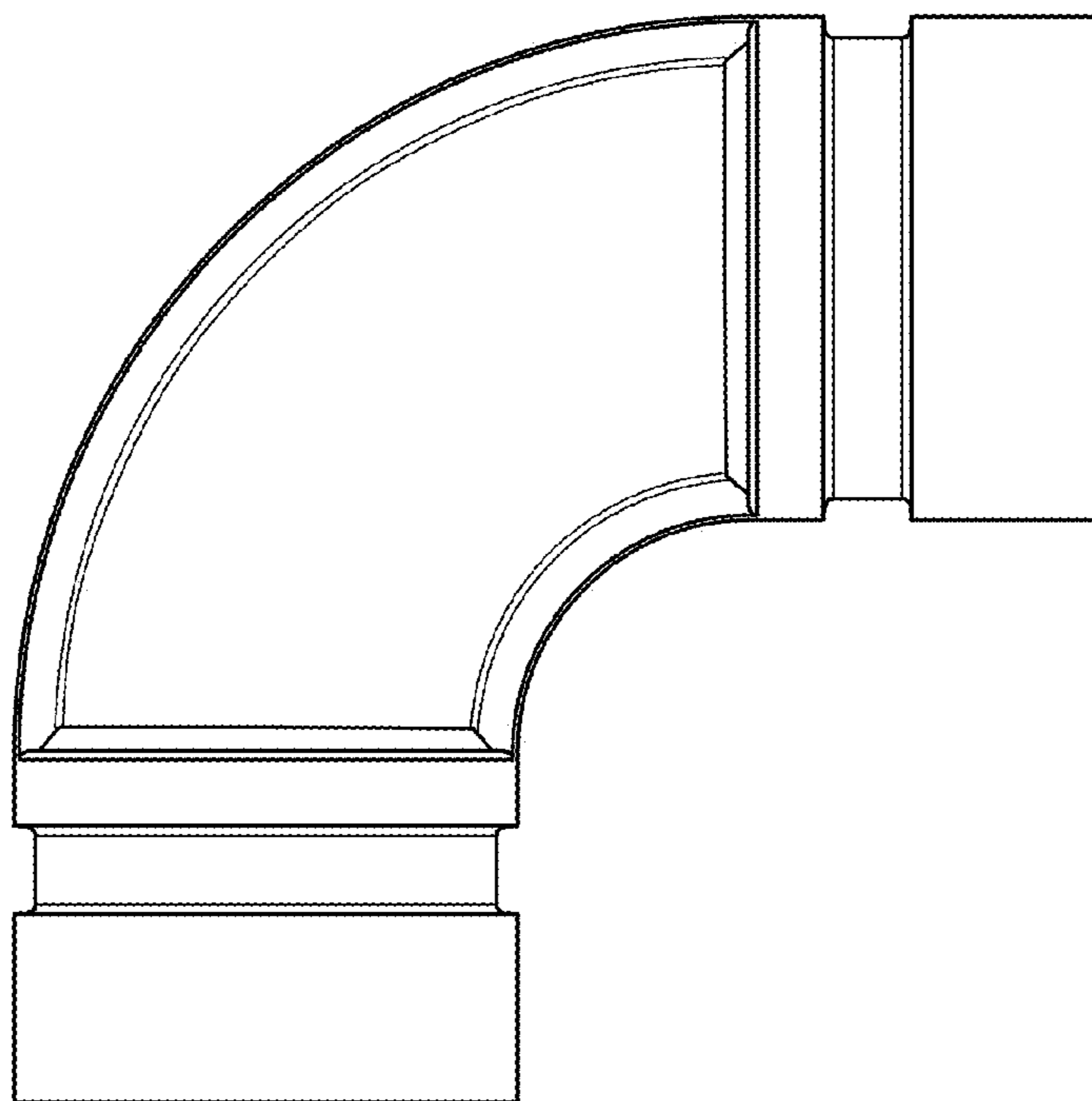
**Fig. 4**



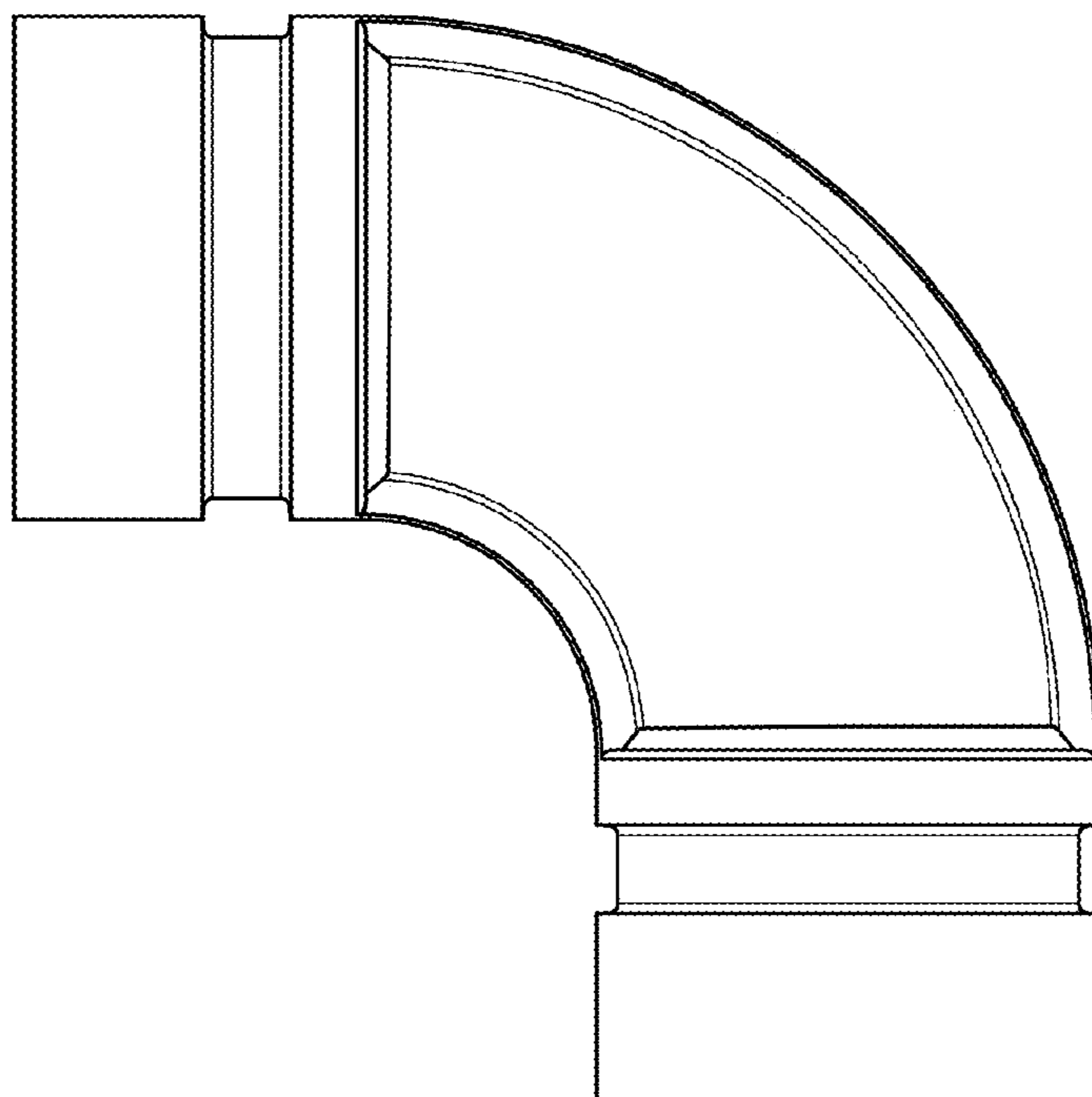
**Fig. 5**



**Fig. 6**



**Fig. 7**



**Fig. 8**