



US00D727471S

(12) **United States Design Patent**  
**Corcoran**

(10) **Patent No.:** **US D727,471 S**  
(45) **Date of Patent:** **\*\* Apr. 21, 2015**

- (54) **SMOOTH PIPE FITTING**
- (71) Applicant: **Daniel Corcoran**, Traverse City, MI (US)
- (72) Inventor: **Daniel Corcoran**, Traverse City, MI (US)
- (\*\*) Term: **14 Years**
- (21) Appl. No.: **29/490,553**
- (22) Filed: **May 12, 2014**
- (51) **LOC (10) Cl.** ..... **23-01**
- (52) **U.S. Cl.**  
USPC ..... **D23/262**
- (58) **Field of Classification Search**  
USPC ..... D23/213, 223, 229, 259, 260, 261, 262, D23/263, 264, 265, 266, 267, 268, 269; D24/129; 138/96 T, 103, 109, 120, 121, 138/155; 239/107, 119, 539, 579; 285/21.1, 285/21.2, 24, 27, 30, 31, 179, 179.1, 338, 285/347  
See application file for complete search history.

5,839,647 A *	11/1998	Orne .....	228/212
D450,814 S *	11/2001	Aldred et al. ....	D23/259
D453,815 S *	2/2002	Hoening .....	D23/259
D455,819 S *	4/2002	Hoening .....	D23/259
D465,012 S *	10/2002	Tauzer .....	D23/259
D480,453 S *	10/2003	Filer .....	D23/262
D480,454 S *	10/2003	Filer .....	D23/262
D565,707 S *	4/2008	Brockington et al. ....	D23/262
D580,530 S *	11/2008	McAlpine .....	D23/268
D644,714 S *	9/2011	Mauchle et al. ....	D23/213
D697,592 S *	1/2014	Hebert .....	D23/259
D701,304 S *	3/2014	Lair et al. ....	D24/129
D712,013 S *	8/2014	Mather et al. ....	D23/259
2003/0034646 A1 *	2/2003	Baruh .....	285/31
2004/0222626 A1 *	11/2004	Baruh .....	285/15

\* cited by examiner

*Primary Examiner* — Eric Goodman  
*Assistant Examiner* — Steven Czyz

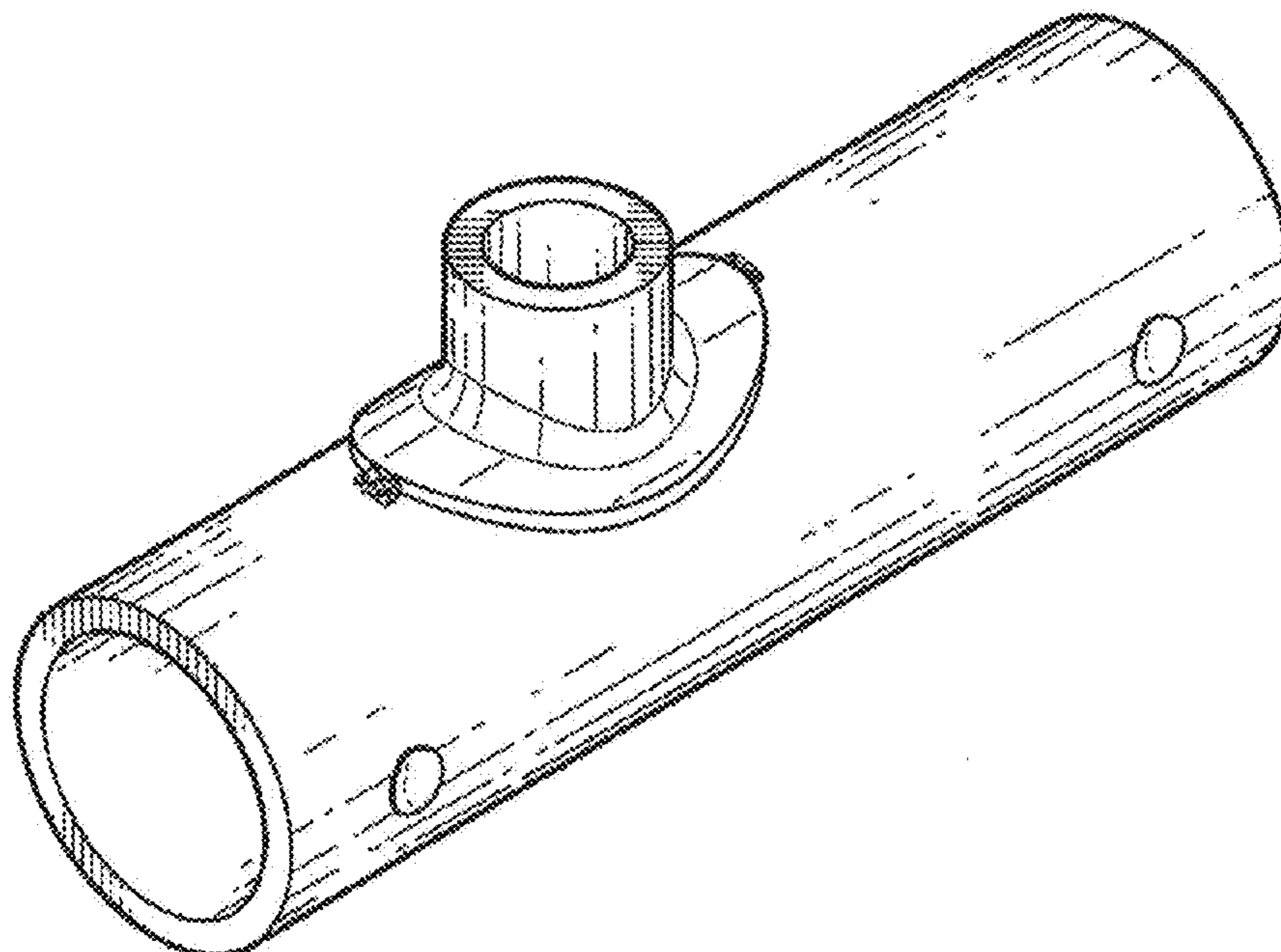
(57) **CLAIM**  
The ornamental design for a smooth pipe fitting, as shown and described.

**DESCRIPTION**

FIG. 1 is a top perspective view of my new design smooth pipe fitting;  
FIG. 2 is a full front view;  
FIG. 3 is a full left end view;  
FIG. 4 is a full back view;  
FIG. 5 is a full right end view;  
FIG. 6 is a full top view; and,  
FIG. 7 is a cross sectional view through line 7-7 of FIG. 2.

**1 Claim, 3 Drawing Sheets**

- (56) **References Cited**  
U.S. PATENT DOCUMENTS
- |               |        |                   |            |
|---------------|--------|-------------------|------------|
| 1,941,465 A * | 1/1934 | Cornell, Jr. .... | 285/133.11 |
| 3,970,251 A * | 7/1976 | Harmony .....     | 239/107    |
| 4,077,570 A * | 3/1978 | Harmony .....     | 239/107    |
| 5,149,144 A * | 9/1992 | Blakeley .....    | 285/23     |
| 5,406,871 A * | 4/1995 | Lambert, Jr. .... | 138/103    |
| D373,408 S *  | 9/1996 | Wood .....        | D23/260    |



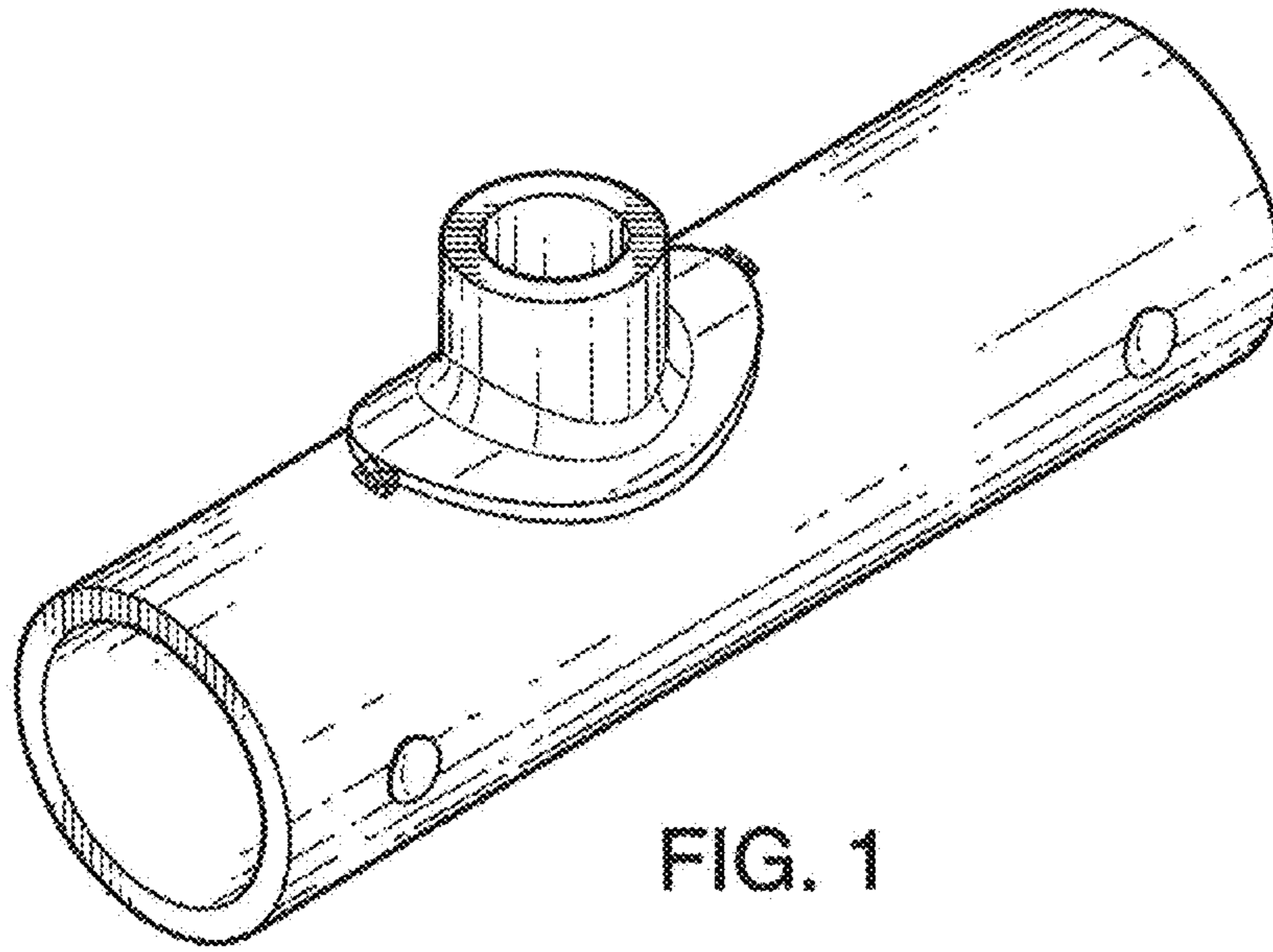


FIG. 1

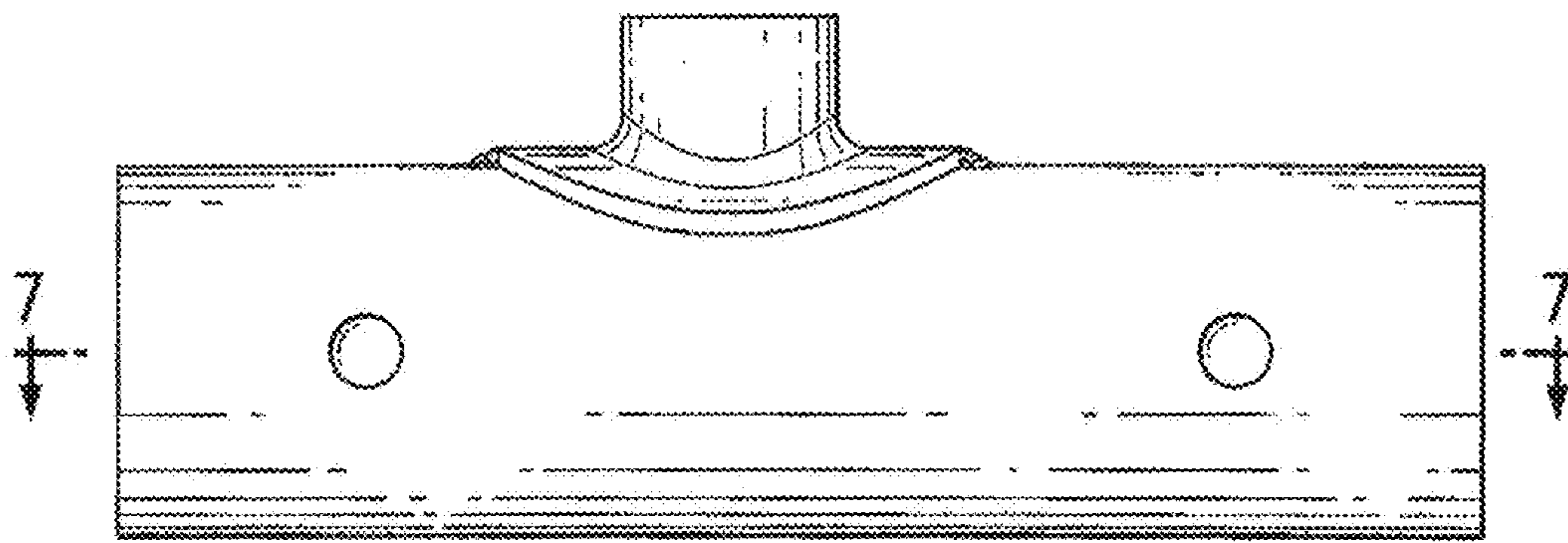


FIG. 2

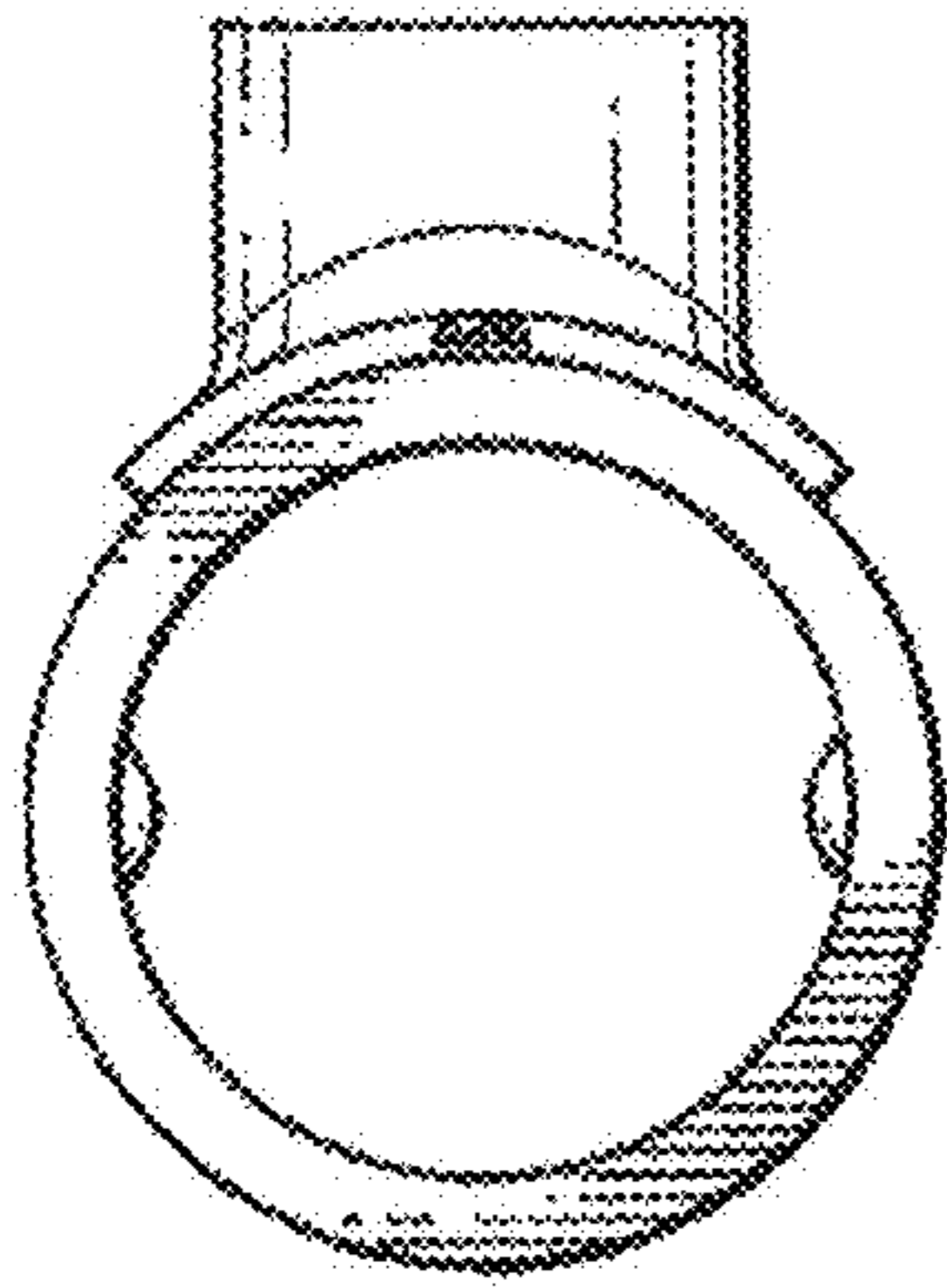


FIG. 3

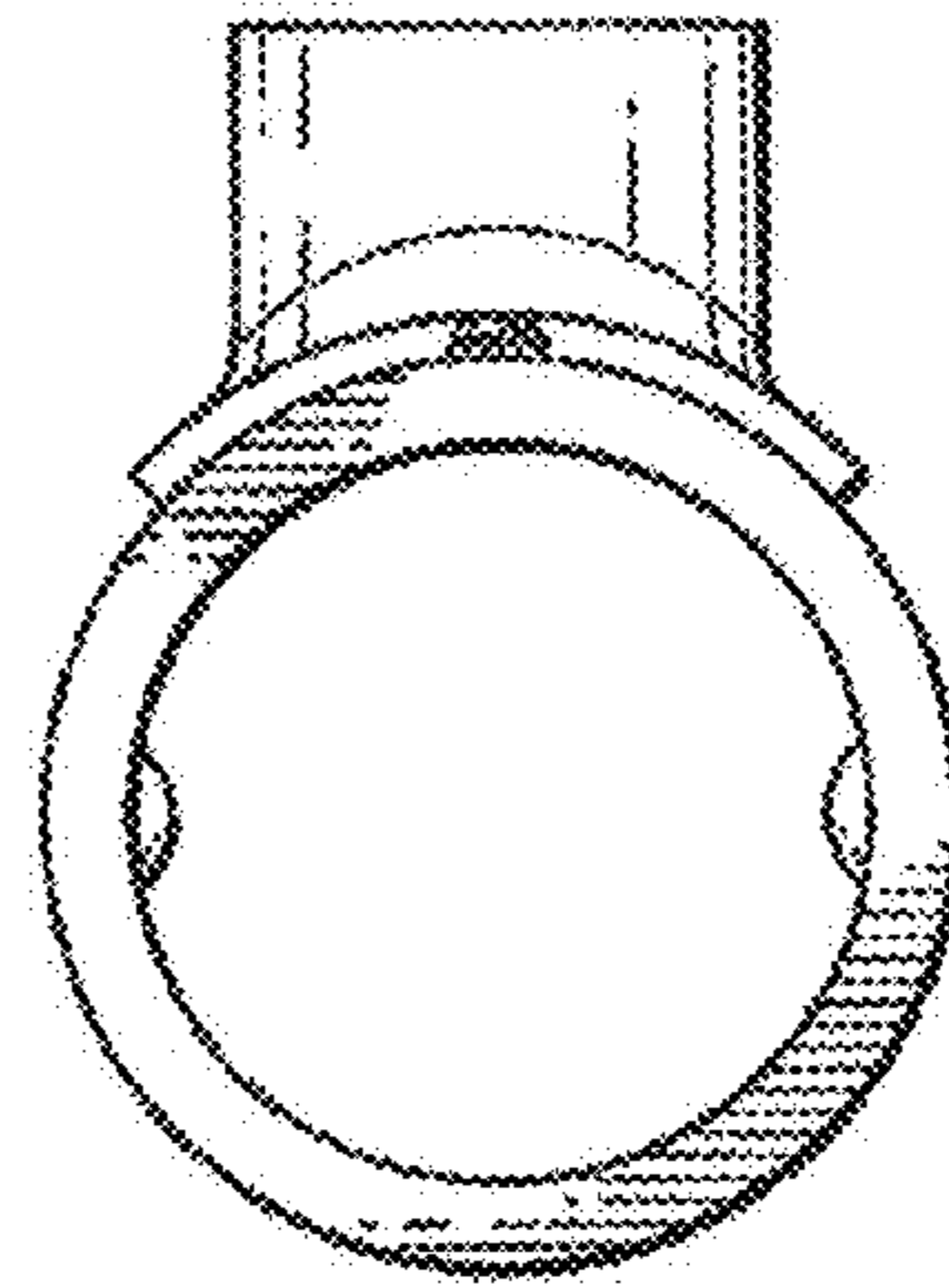


FIG. 5

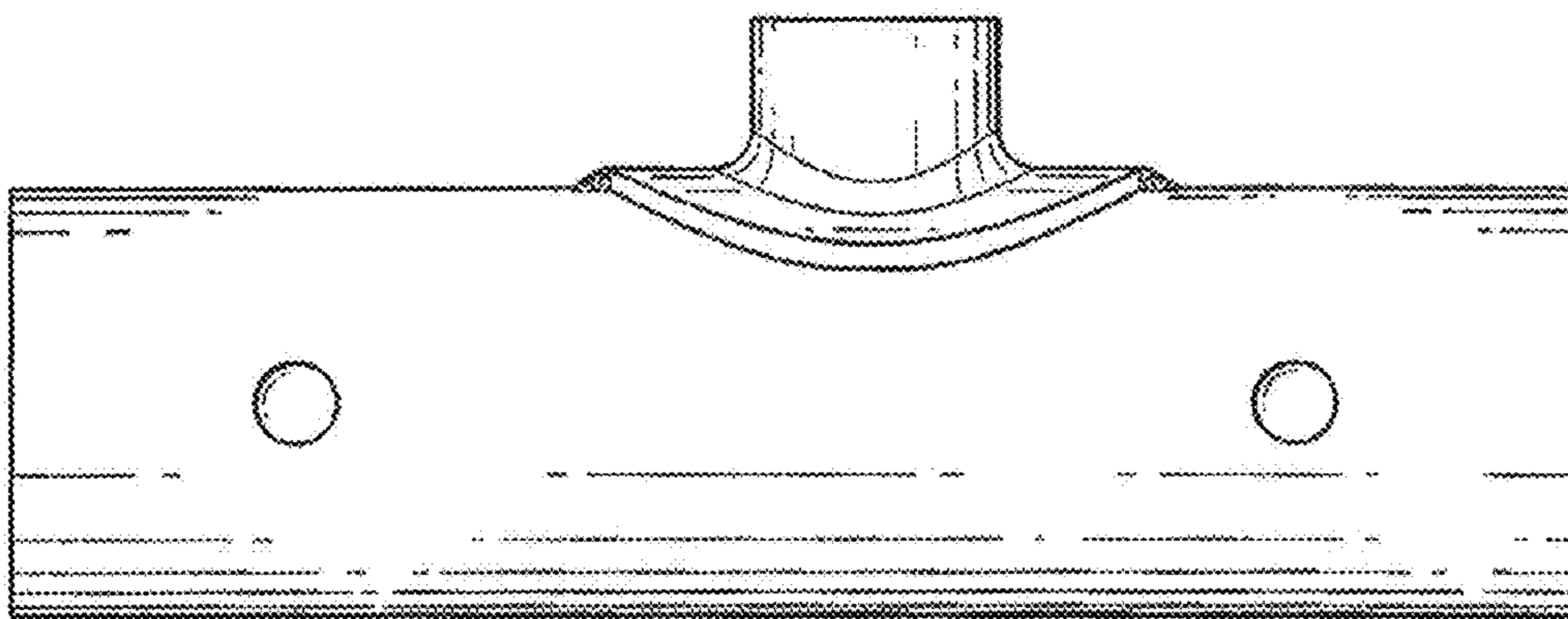


FIG. 4



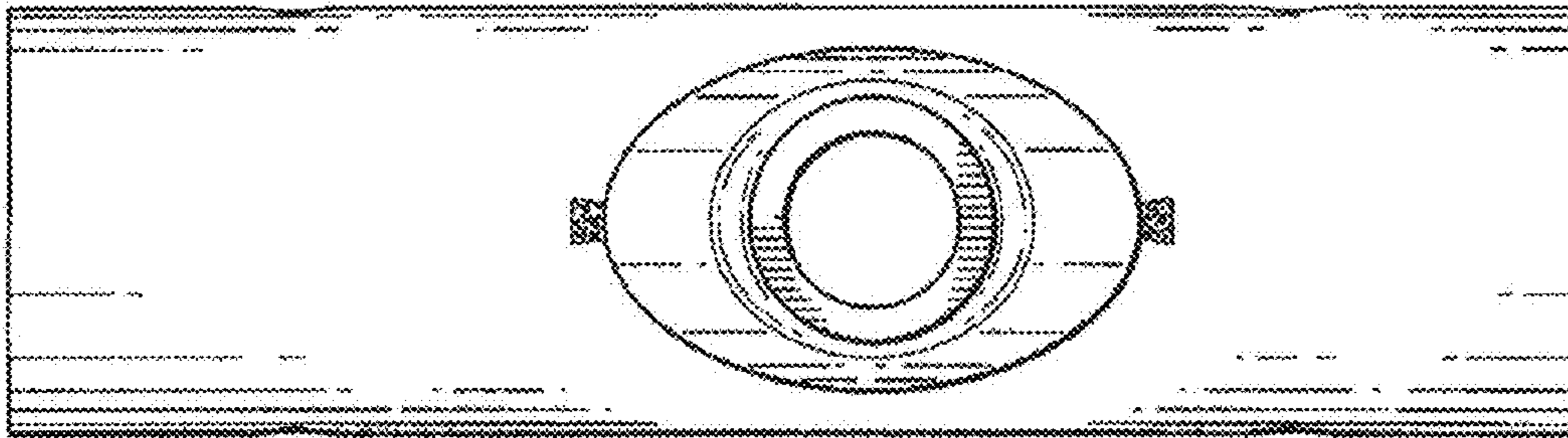


FIG. 6

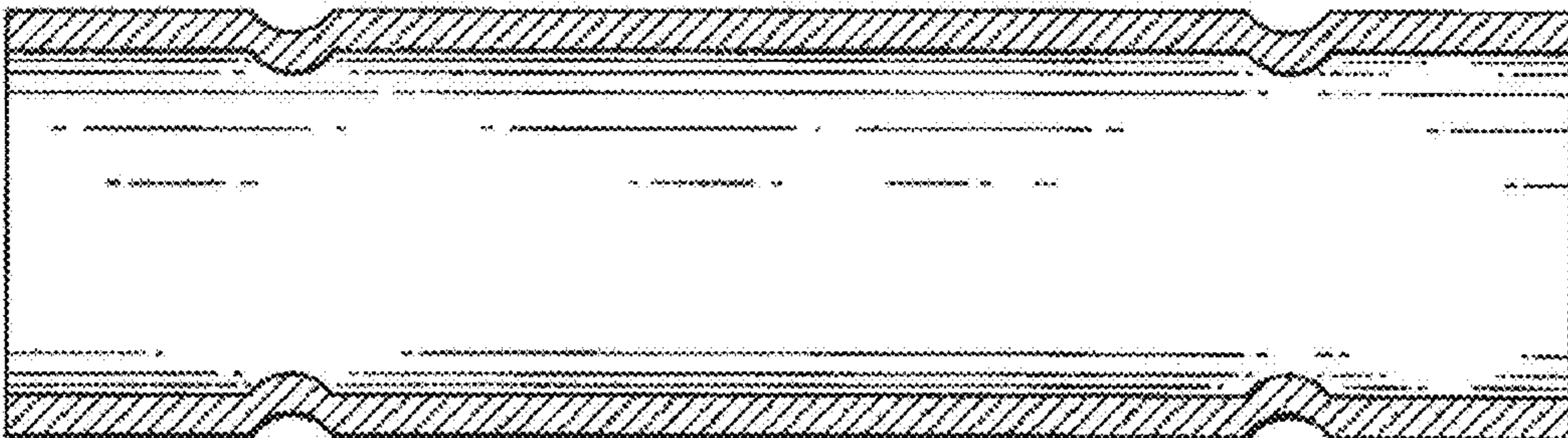


FIG. 7