

US00D727470S

(12) **United States Design Patent**
Agar et al.

(10) **Patent No.:** **US D727,470 S**
(45) **Date of Patent:** **** Apr. 21, 2015**

(54) **BYPASS PIPE JOINT**

(71) Applicant: **Agar Corporation Ltd.**, Grand Cayman, KY (US)

(72) Inventors: **Joram Agar**, Grand Cayman, KY (US);
Hector Alfredo Viale-Rigo Capuzzo, Katy, TX (US); **David Farchy**, Bellaire, TX (US)

(73) Assignee: **Agar Corporation Ltd.**, Grand Cayman (KY)

(**) Term: **14 Years**

(21) Appl. No.: **29/437,234**

(22) Filed: **Nov. 14, 2012**

(51) **LOC (10) Cl.** **23-01**

(52) **U.S. Cl.**
USPC **D23/262**

(58) **Field of Classification Search**
USPC D23/233, 245, 259-269; 285/86-93
See application file for complete search history.

(56) **References Cited**

U.S. PATENT DOCUMENTS

1,595,186	A *	8/1926	Gray	138/89
2,145,820	A *	1/1939	Tucker	251/74
2,147,835	A *	2/1939	Fine	285/86
3,620,241	A *	11/1971	Brown	137/216
3,701,567	A *	10/1972	Shutt et al.	3/9.63
3,715,017	A *	2/1973	Jenney	192/220
3,807,425	A *	4/1974	Boirum et al.	137/110
4,503,383	A	3/1985	Agar et al.	
4,822,112	A *	4/1989	Reuter et al.	303/122.09
5,086,949	A *	2/1992	Vulpitta et al.	222/1
5,099,883	A *	3/1992	Maiville	137/614.06
D337,633	S *	7/1993	Drager et al.	D23/245

D346,011	S *	4/1994	Hawkins	D23/245
D350,813	S *	9/1994	Yarbrough	D23/259
D361,371	S *	8/1995	McQuillan	D23/259
5,660,720	A *	8/1997	Walling	210/85
D433,479	S *	11/2000	Simon	D23/200
D470,577	S *	2/2003	Knight et al.	D23/266
D490,141	S *	5/2004	Pelletz et al.	D23/233
8,147,684	B2 *	4/2012	Wilson	210/90
8,496,188	B2 *	7/2013	Linton et al.	239/124
D687,728	S *	8/2013	Agar et al.	D10/78
8,627,932	B2 *	1/2014	Marking	188/313

* cited by examiner

Primary Examiner — Celia Murphy

Assistant Examiner — John Reickel

(74) *Attorney, Agent, or Firm* — Andrew W. Chu; Craft Chu PLLC

(57) **CLAIM**

The ornamental design for a bypass pipe joint, as shown and described.

DESCRIPTION

FIG. 1 is an upper perspective view of the bypass pipe joint showing my design as installed in a curved pipe with probes in broken lines.

FIG. 2 is a top plan view thereof;

FIG. 3 is a bottom plan view thereof;

FIG. 4 is a side elevation view thereof;

FIG. 5 is an opposite side view thereof;

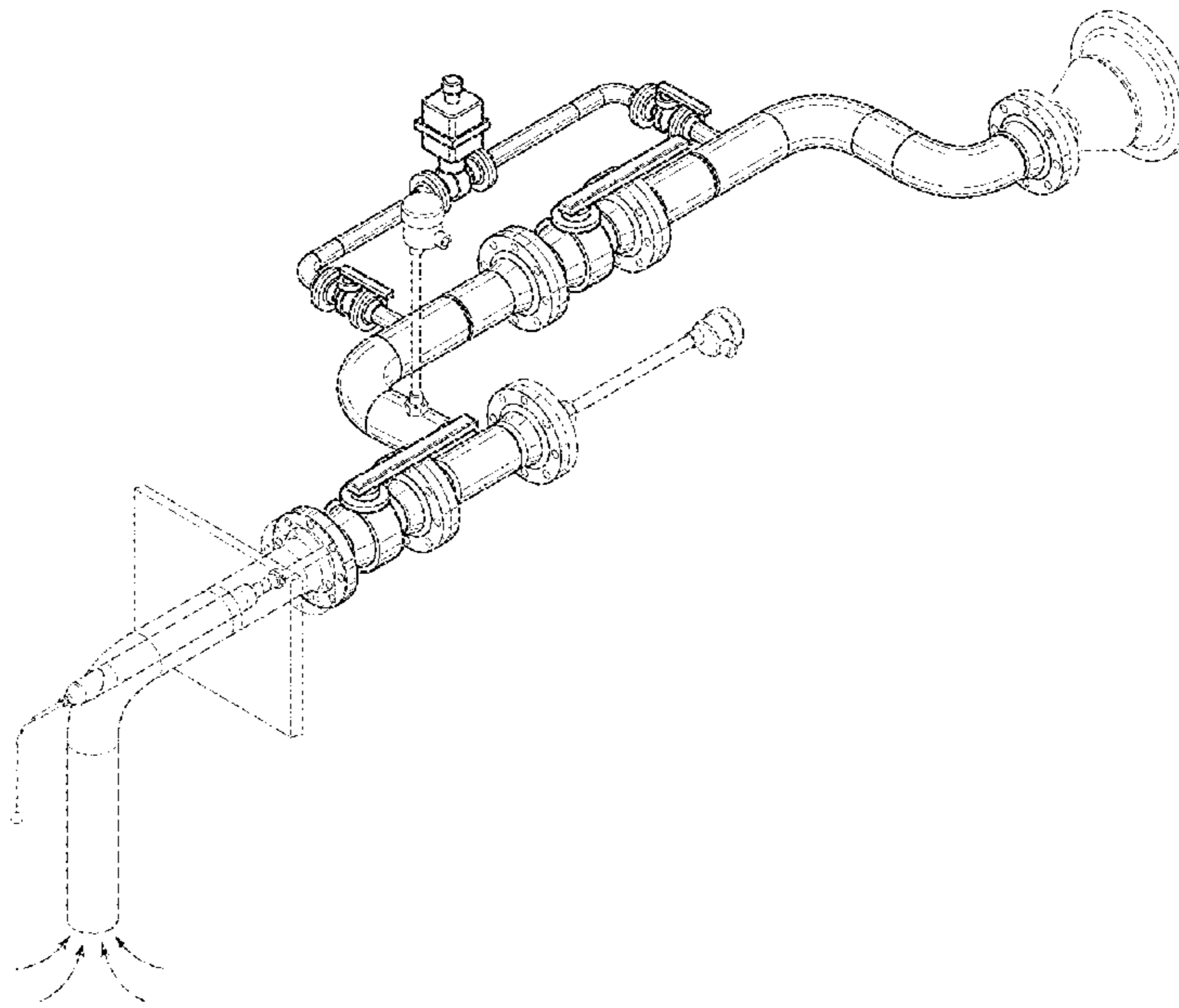
FIG. 6 is a front elevation view thereof;

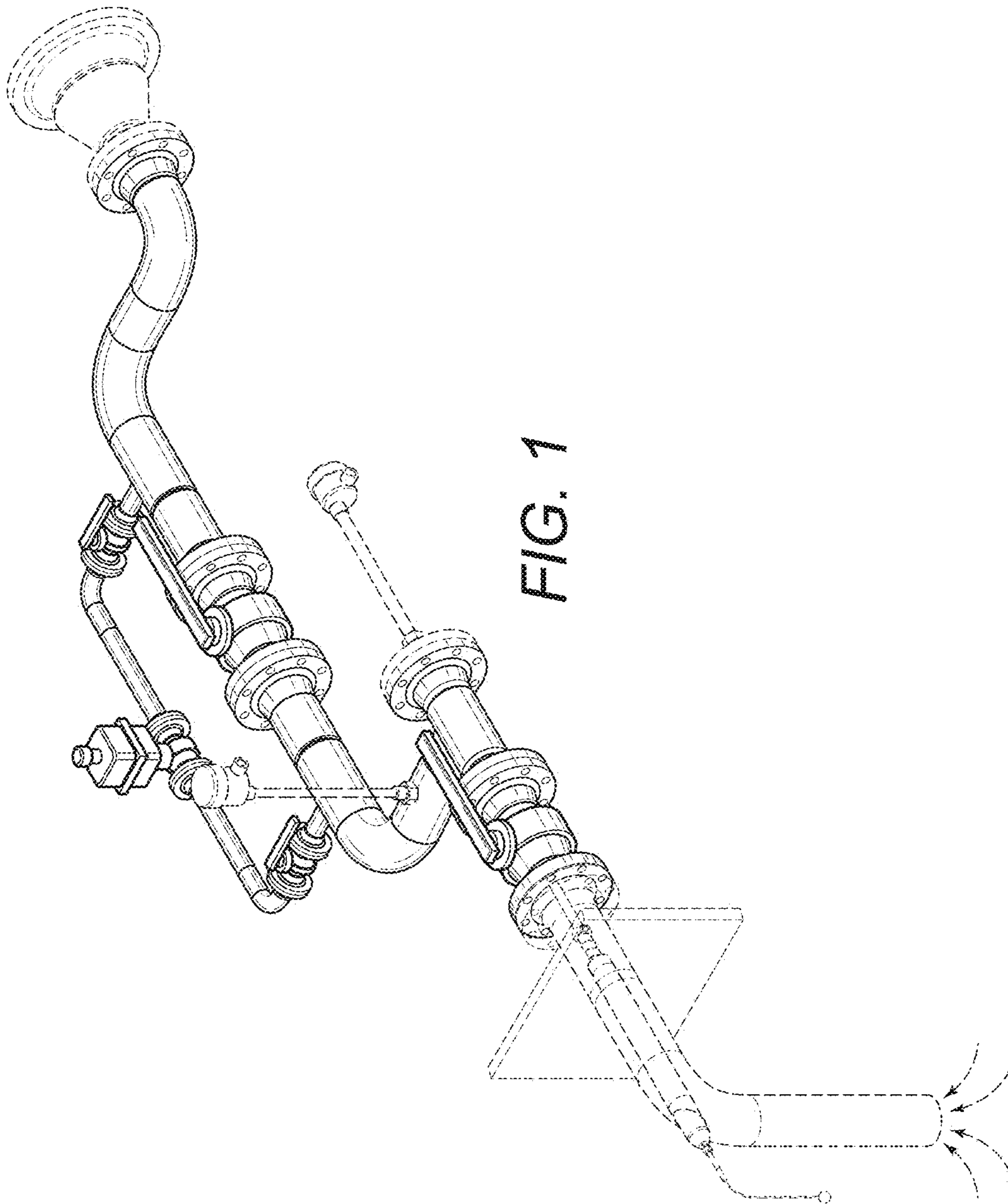
FIG. 7 is a back elevation view thereof; and,

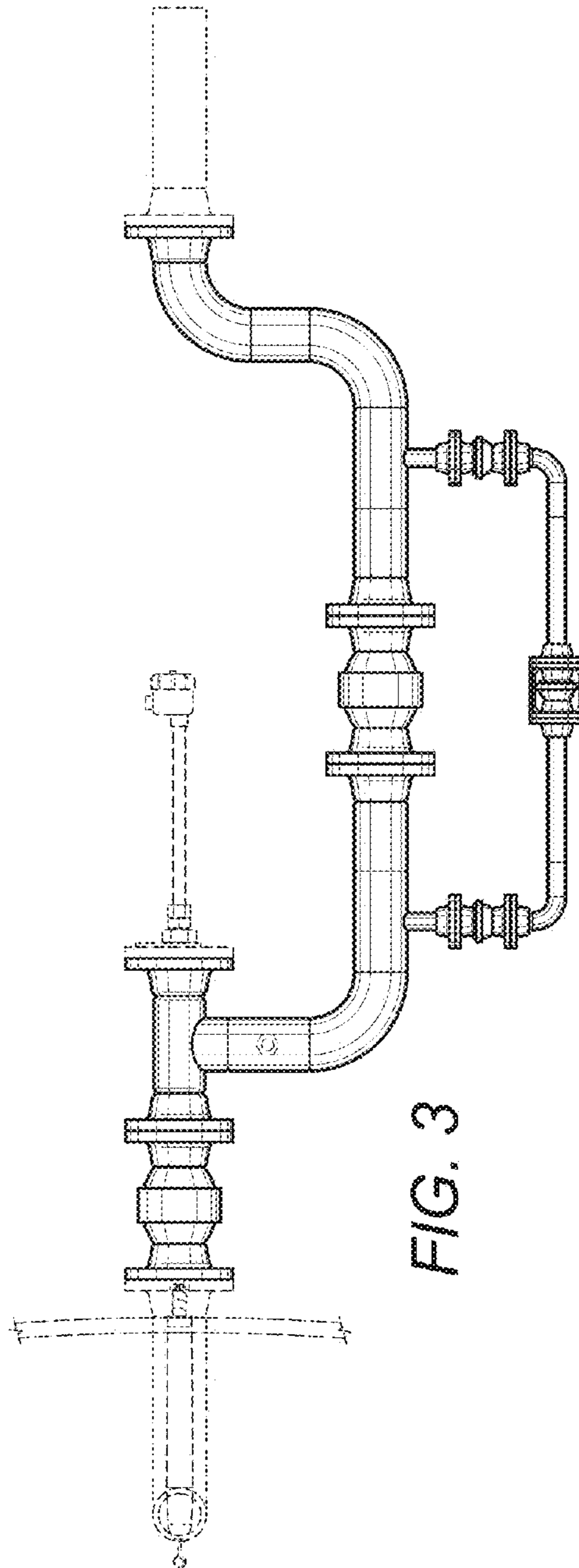
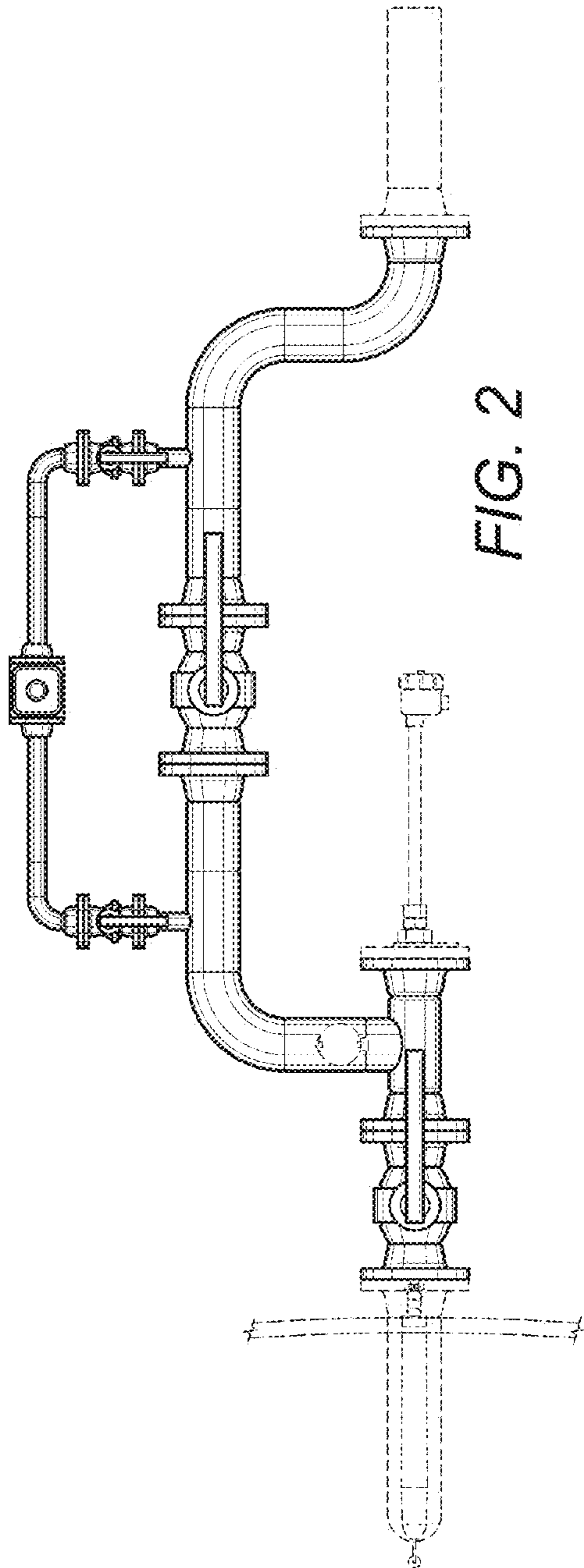
FIG. 8 is still another perspective view, showing the bypass pipe joint mounted on a storage tank in broken lines.

The broken line showing of the curved pipe, probes, and storage tank is included for the purpose of illustrating environmental structure and forms no part of the claimed design.

1 Claim, 4 Drawing Sheets







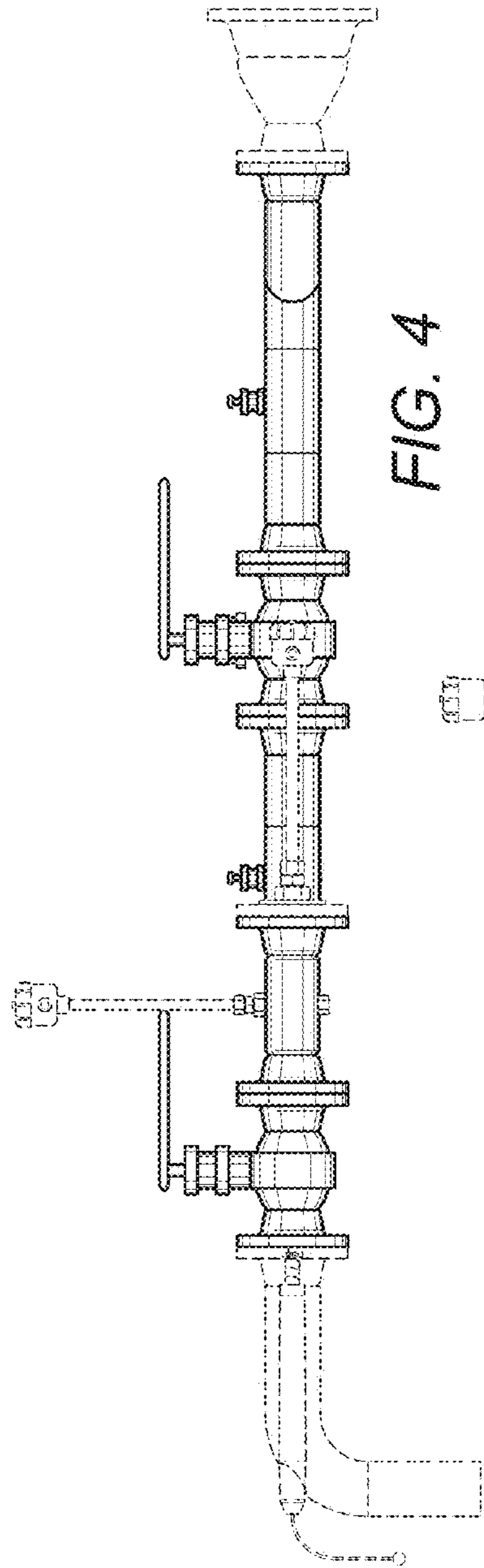


FIG. 4

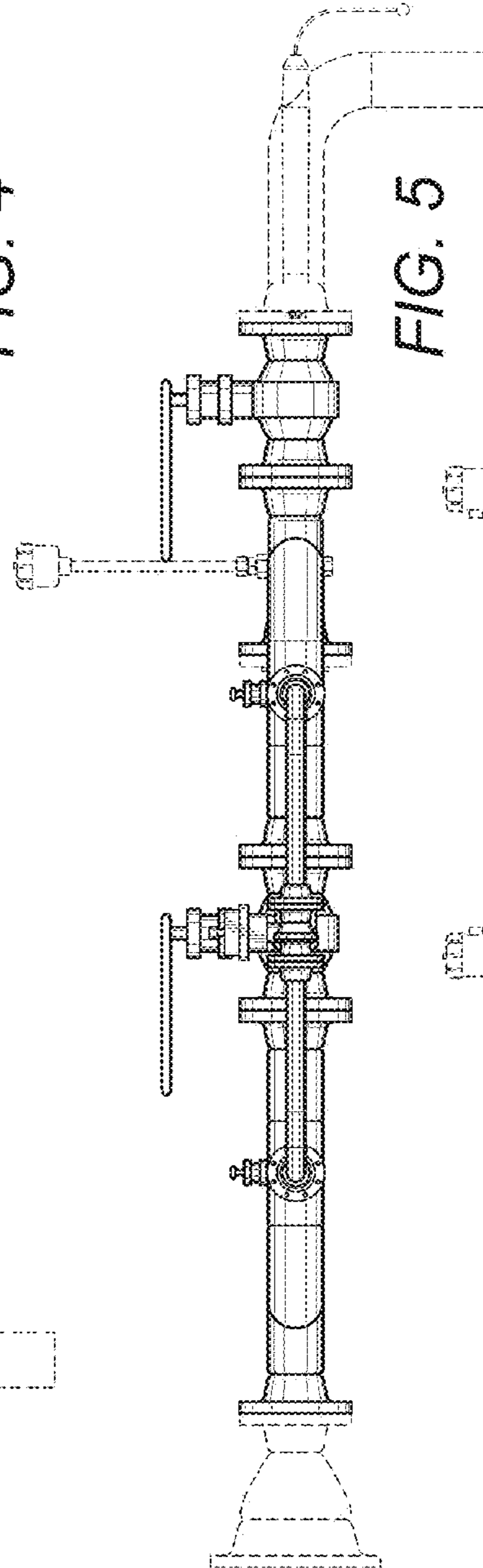


FIG. 5

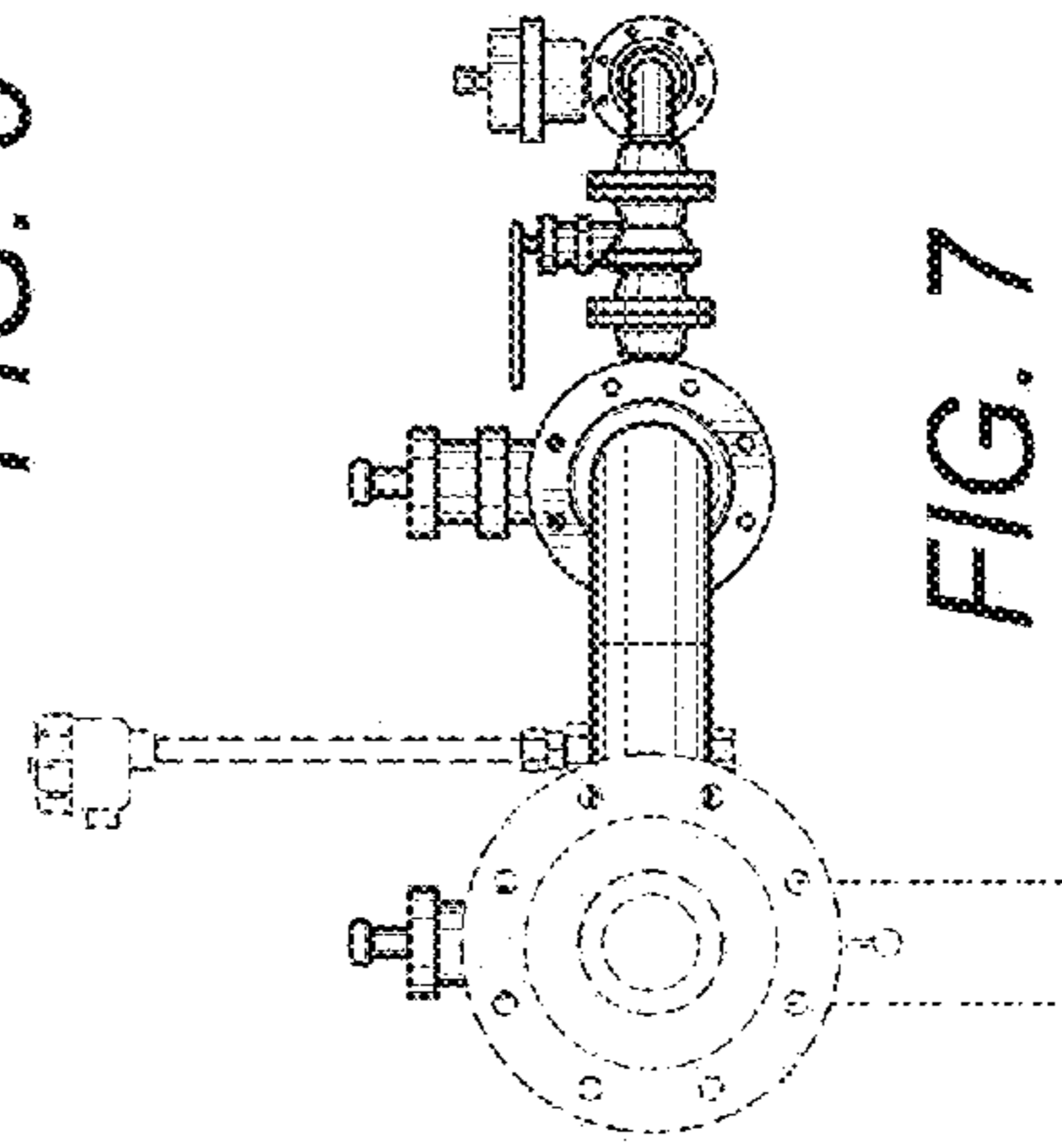


FIG. 7

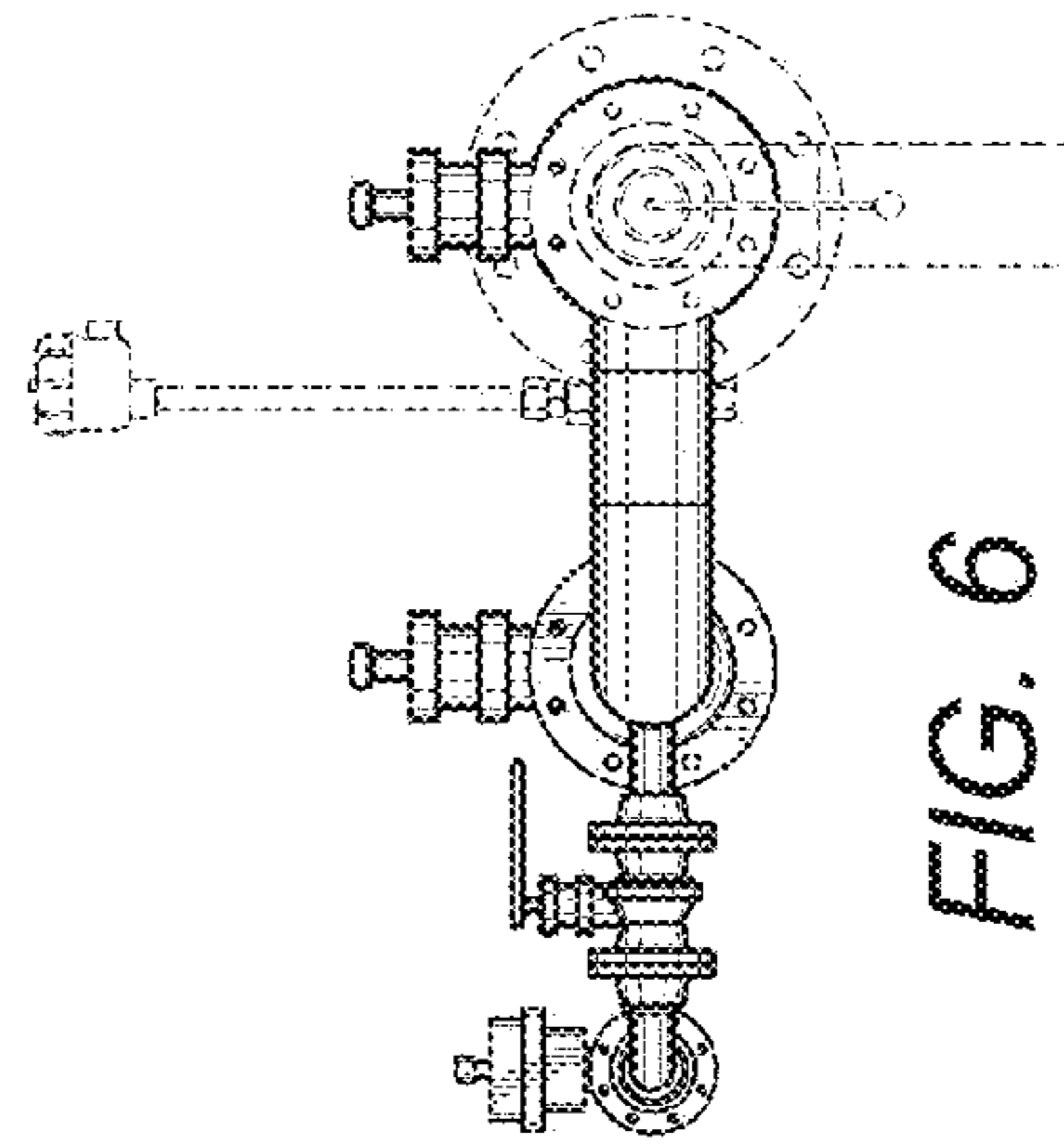


FIG. 6

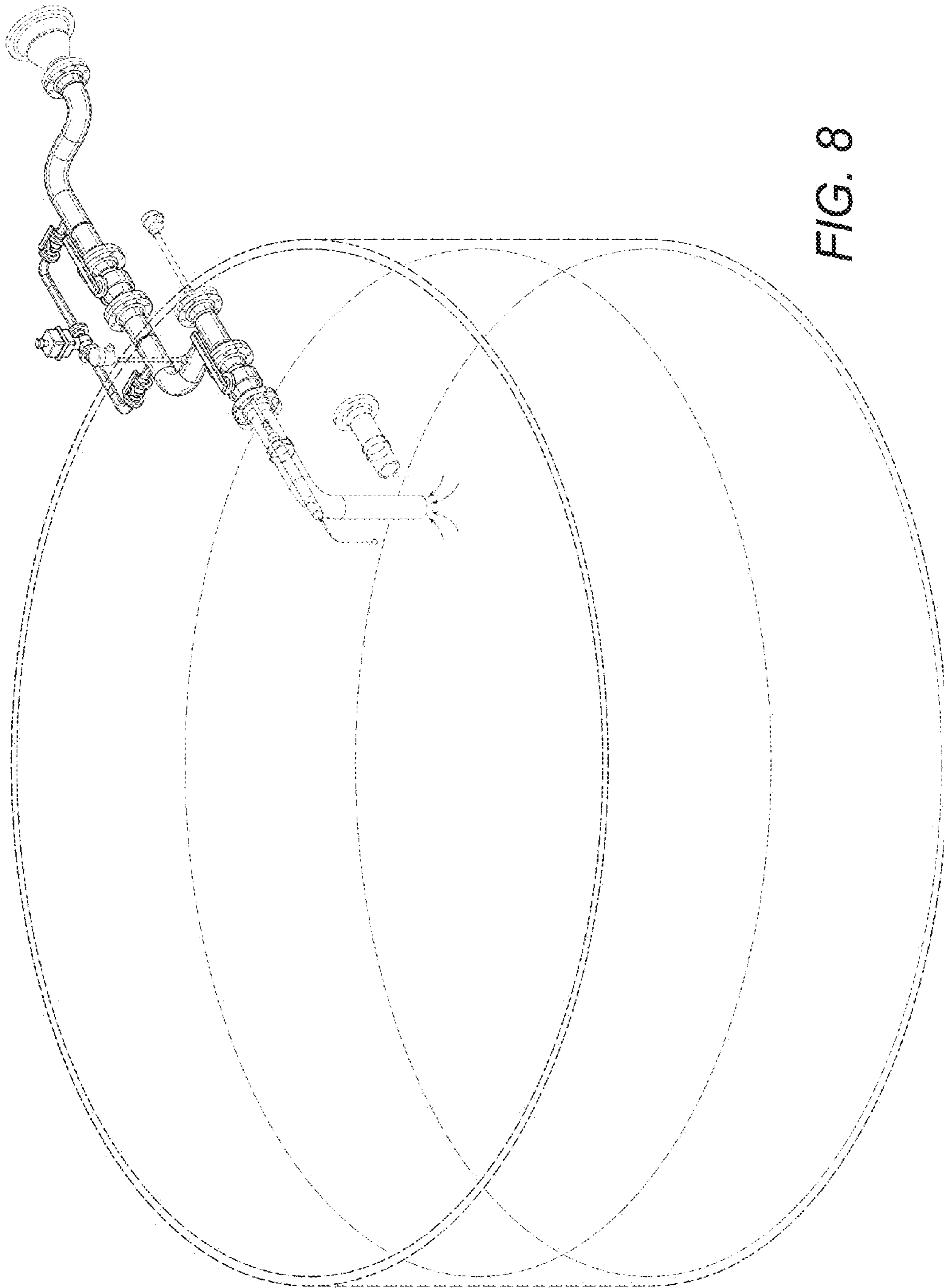


FIG. 8