



US00D727469S

(12) **United States Design Patent**
Jorgensen

(10) **Patent No.:** **US D727,469 S**

(45) **Date of Patent:** **** Apr. 21, 2015**

(54) **ELASTOMERIC CONDENSER PLUG**

D590,483 S * 4/2009 Thomas et al. D23/303
D709,994 S * 7/2014 King et al. D23/259
D712,360 S * 9/2014 Su et al. D13/147

(71) Applicant: **JNT Technical Services, Inc.**, Little Ferry, NJ (US)

OTHER PUBLICATIONS

(72) Inventor: **Glenn F. Jorgensen**, Little Ferry, NJ (US)

High Pressure Heat Exchanger Tube Plug with Patented Hex Drive Capture System, Condenser Plugs, torq-n-seal.com, Searched Sep. 23, 2014, System <http://www.torq-n-seal.com/>.*

(73) Assignee: **JNT Technical Services, Inc.**, Little Ferry, NJ (US)

* cited by examiner

(**) Term: **14 Years**

Primary Examiner — Eric Goodman

Assistant Examiner — Steven Czyz

(21) Appl. No.: **29/479,283**

(74) *Attorney, Agent, or Firm* — David L. Nocilly; Bond Schoeneck & King, PLLC

(22) Filed: **Jan. 14, 2014**

(57) **CLAIM**

The ornamental design for an elastomeric condenser plug, as shown and described.

(51) **LOC (10) Cl.** **23-01**

DESCRIPTION

(52) **U.S. Cl.**

USPC **D23/260**

(58) **Field of Classification Search**

USPC D23/259, 260, 261, 262, 263, 264, 265, D23/303; 138/89, 89.1, 89.2, 89.3, 96 R, 138/96 T, 159; D21/673, 679, 681; D7/133, D7/137, 147; D8/82, 86, 382

See application file for complete search history.

FIG. 1 is a perspective view of a new and ornamental design for an elastomeric condenser plug;
FIG. 2 is a front view thereof;
FIG. 3 is a rear view thereof;
FIG. 4 is a left side view thereof;
FIG. 5 is a right side view thereof;
FIG. 6 is a top plan thereof; and
FIG. 7 is a bottom plan thereof.

FIG. 8 is a perspective view of a second embodiment of a new and ornamental design for an elastomeric condenser plug;
FIG. 9 is a front view thereof;
FIG. 10 is a rear view thereof;
FIG. 11 is a left side view thereof;
FIG. 12 is a right side view thereof;
FIG. 13 is a top plan thereof; and,
FIG. 14 is a bottom plan thereof.

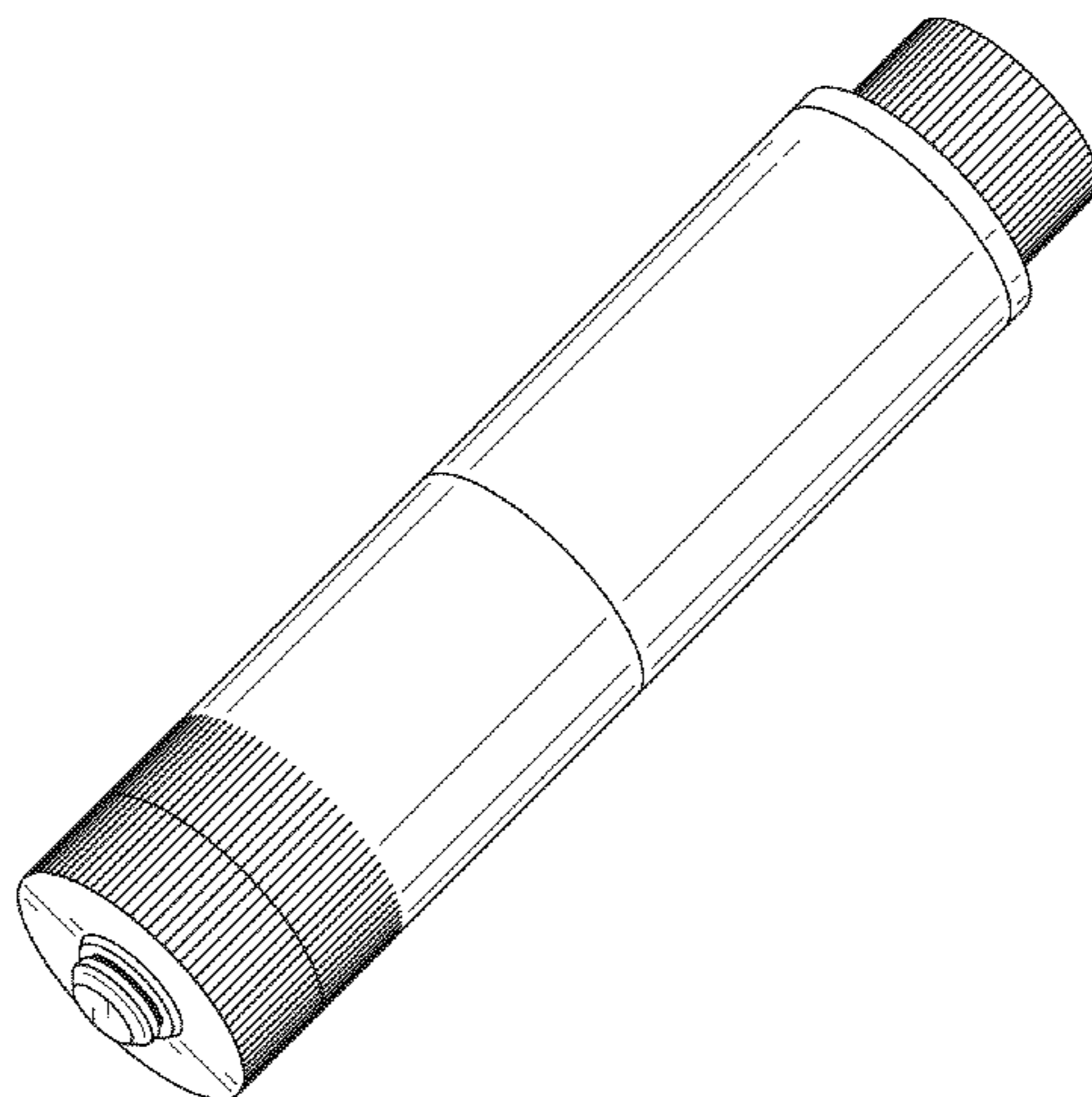
The broken lines in FIGS. 6 and 13 are for the purpose of illustrating environmental structure and form no part of the claimed design.

(56) **References Cited**

U.S. PATENT DOCUMENTS

5,289,851 A * 3/1994 Jorgensen 138/89
D441,060 S * 4/2001 Lefroy-Brooks D23/255
D450,814 S * 11/2001 Aldred et al. D23/259
D469,135 S * 1/2003 Bell D21/662
D480,453 S * 10/2003 Filer D23/262
D480,454 S * 10/2003 Filer D23/262
6,883,547 B1 * 4/2005 Jorgensen 138/89
6,981,524 B2 * 1/2006 Jorgensen 138/89
D546,665 S * 7/2007 Medlin D8/382
D586,447 S * 2/2009 Thomas et al. D23/303

1 Claim, 8 Drawing Sheets



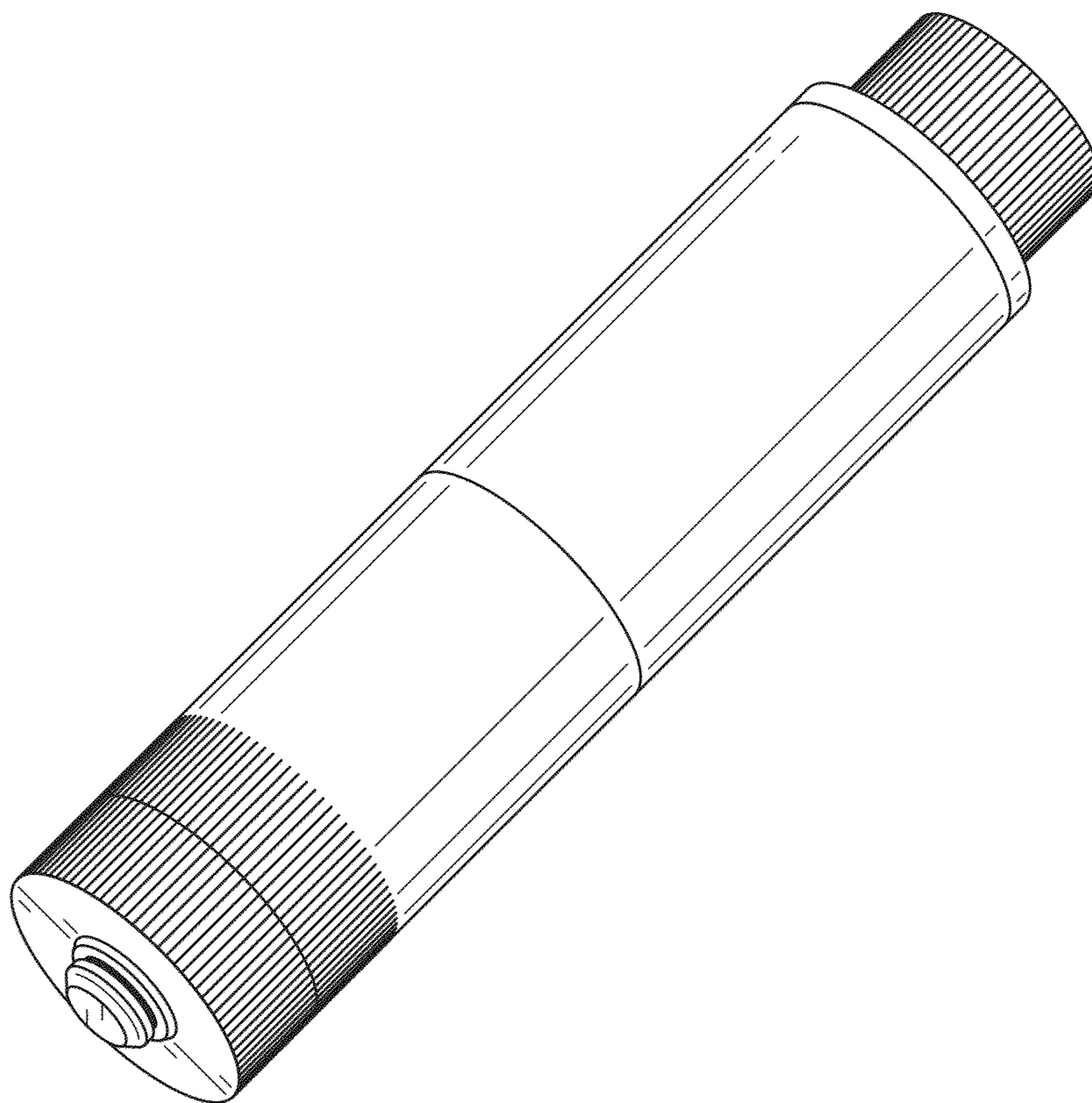


FIG. 1

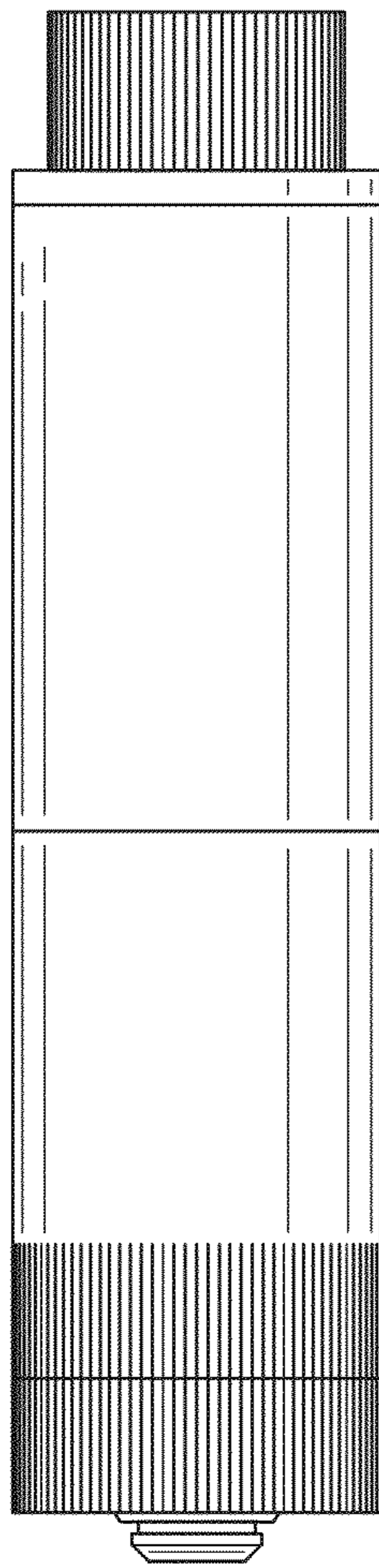


FIG. 2

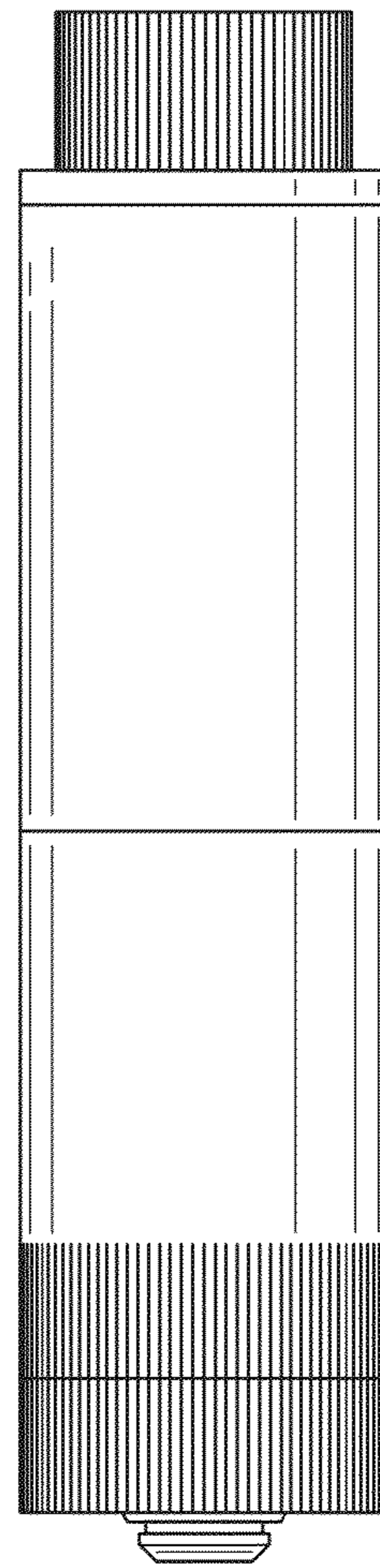


FIG. 3

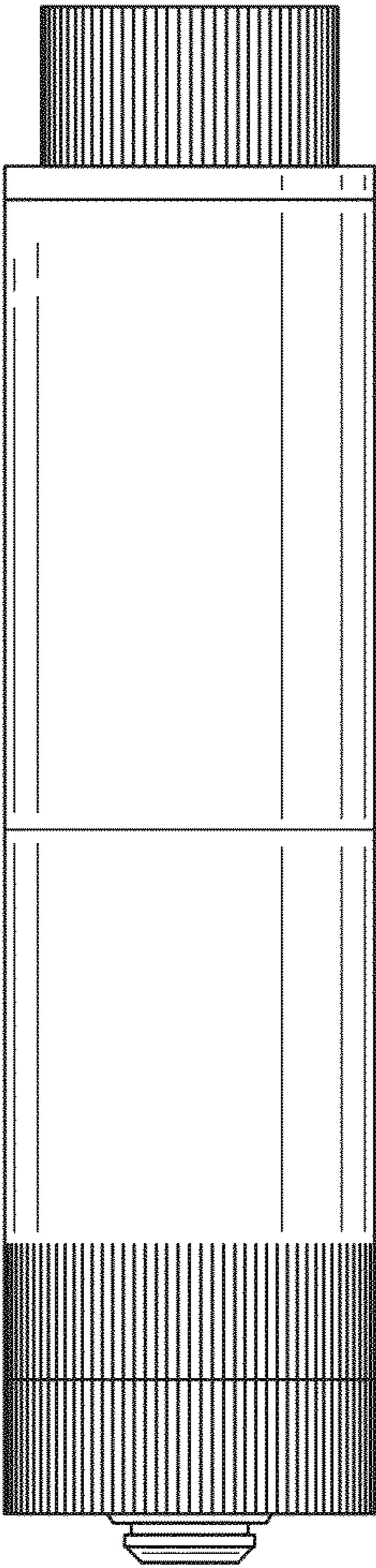


FIG. 4

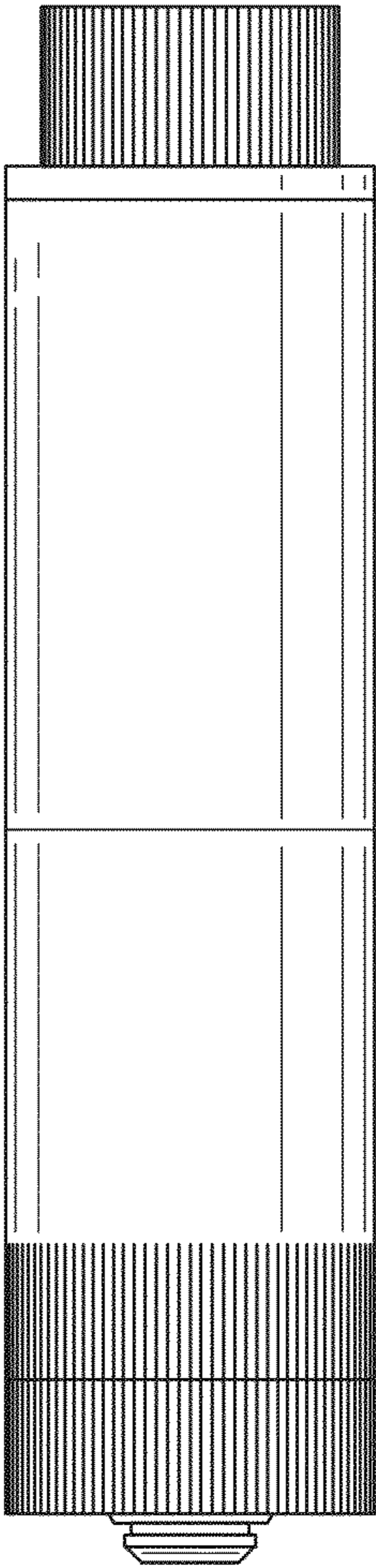


FIG. 5

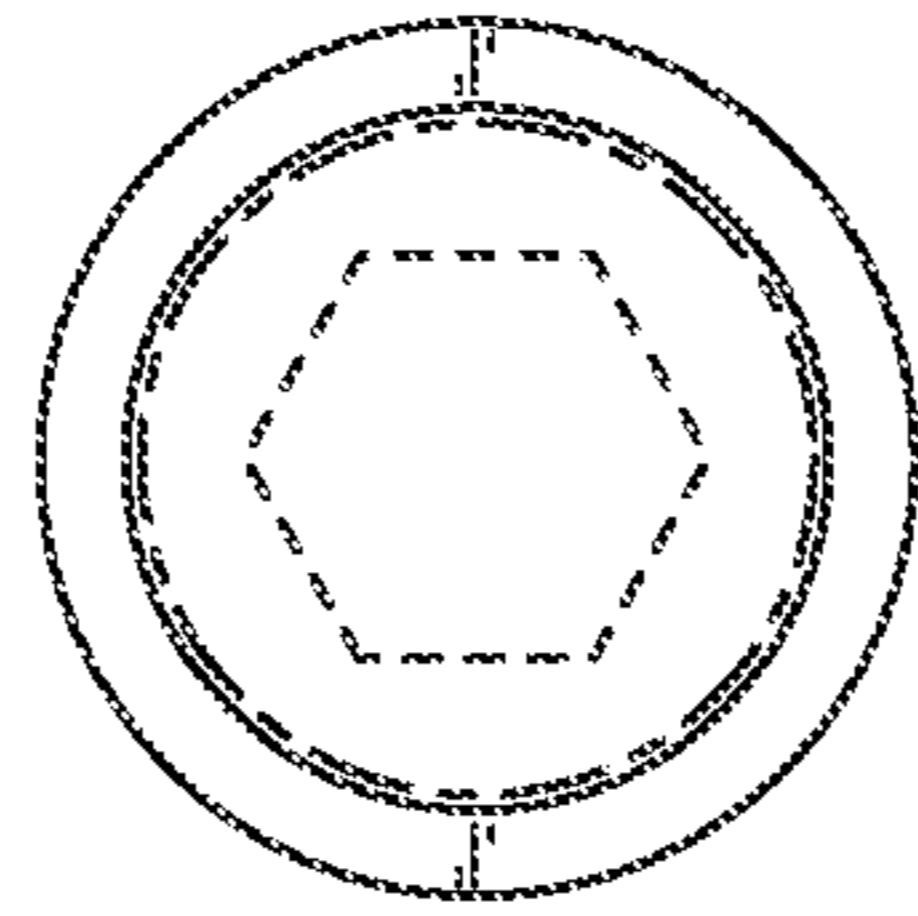


FIG. 6

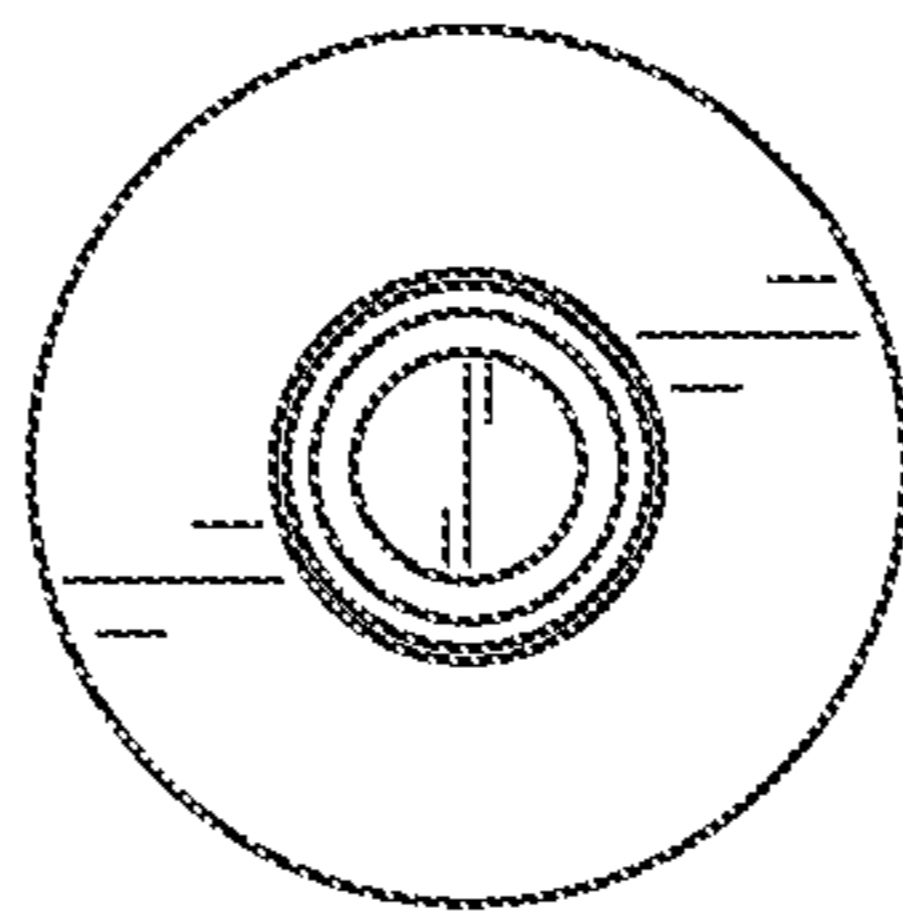


FIG. 7

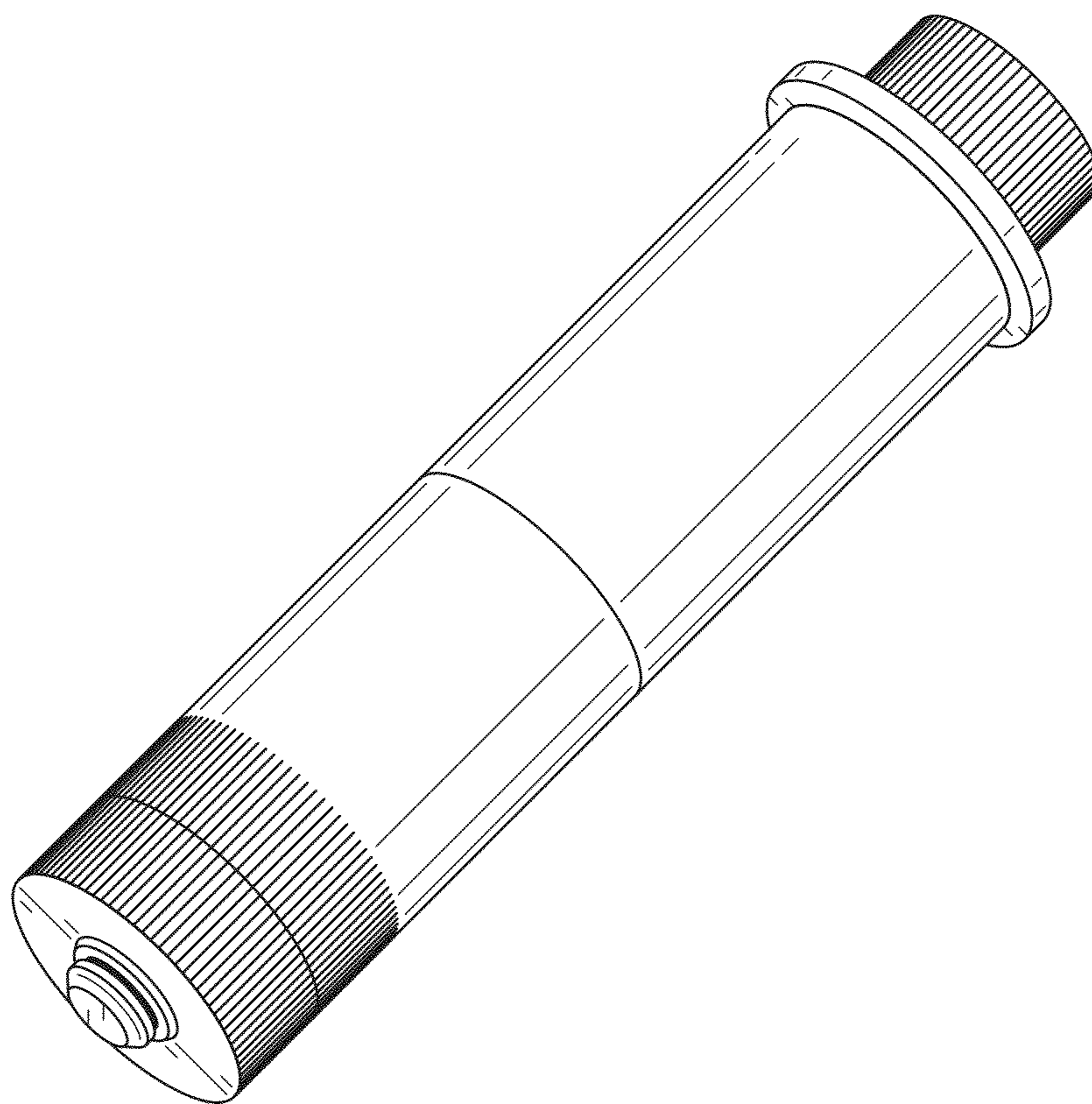


FIG. 8

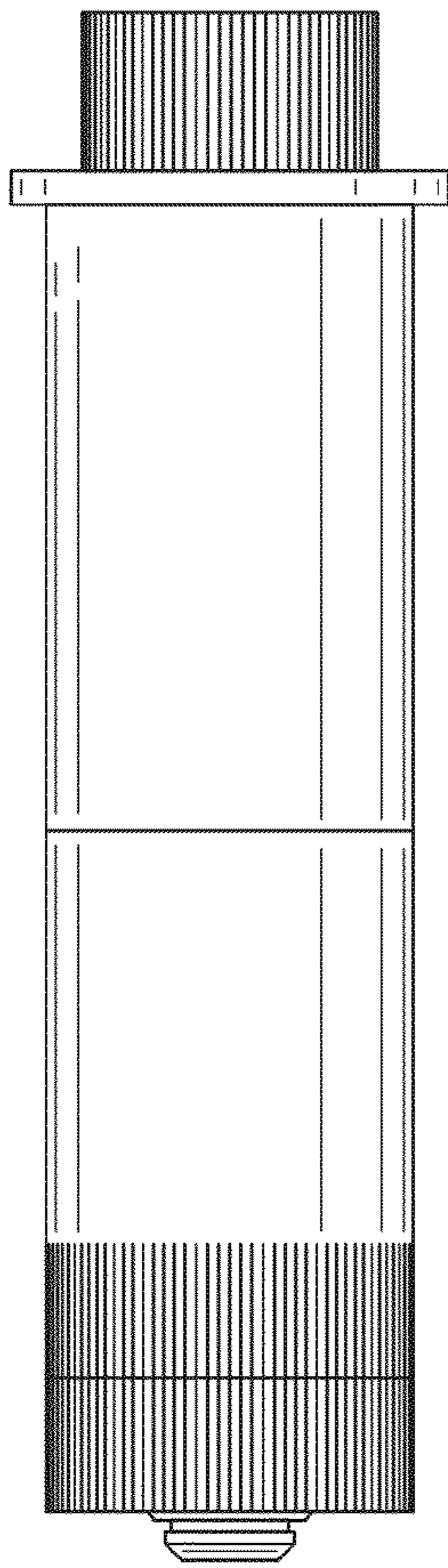


FIG. 9

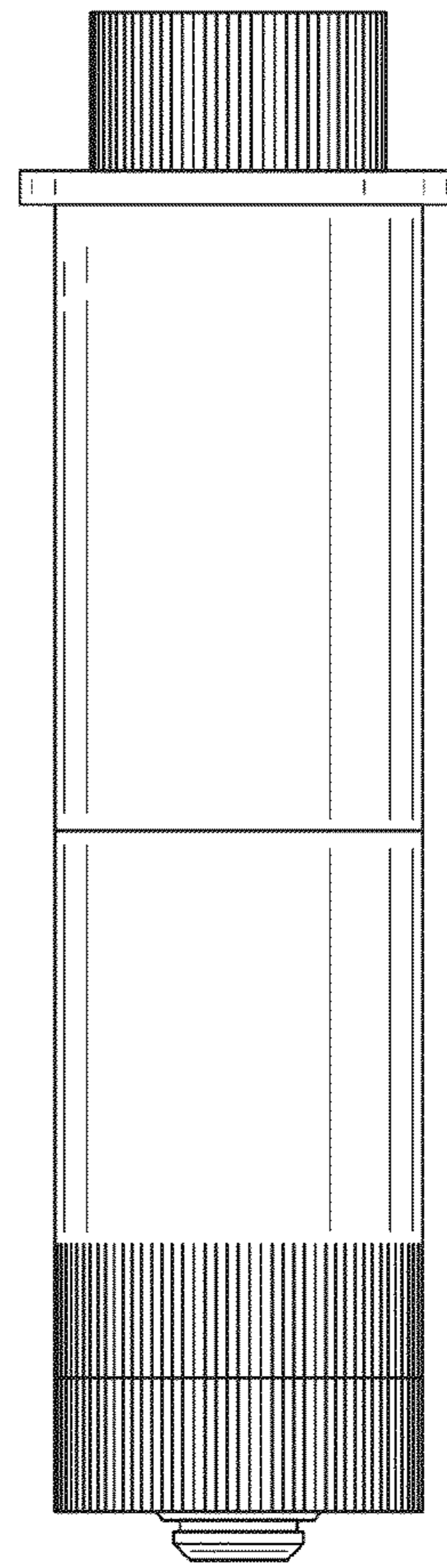


FIG. 10

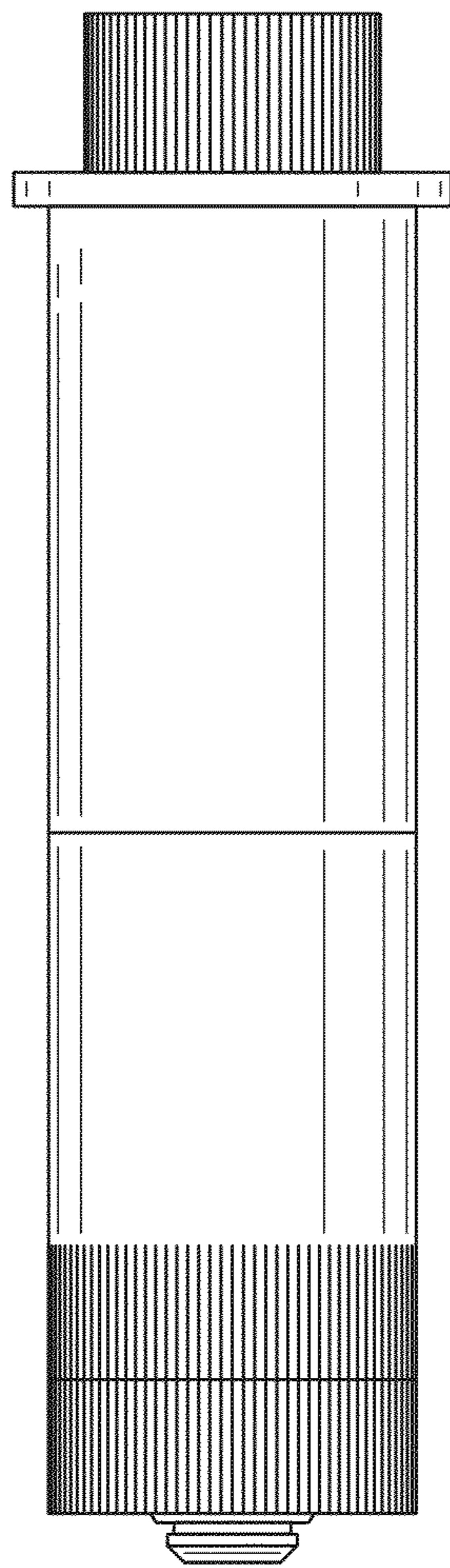


FIG. 11

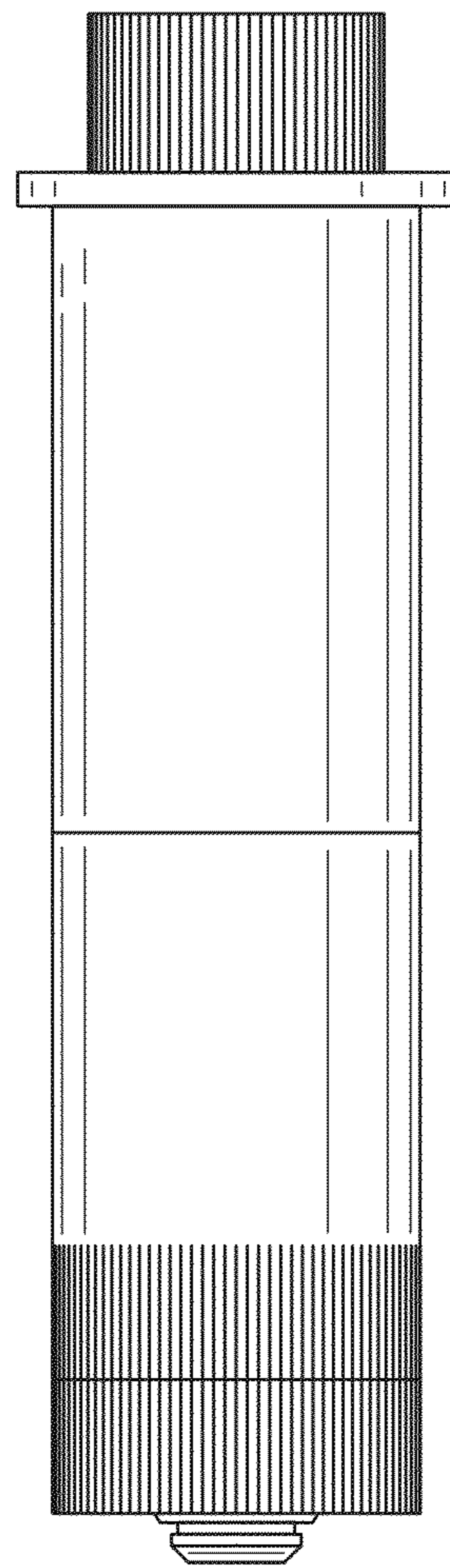


FIG. 12

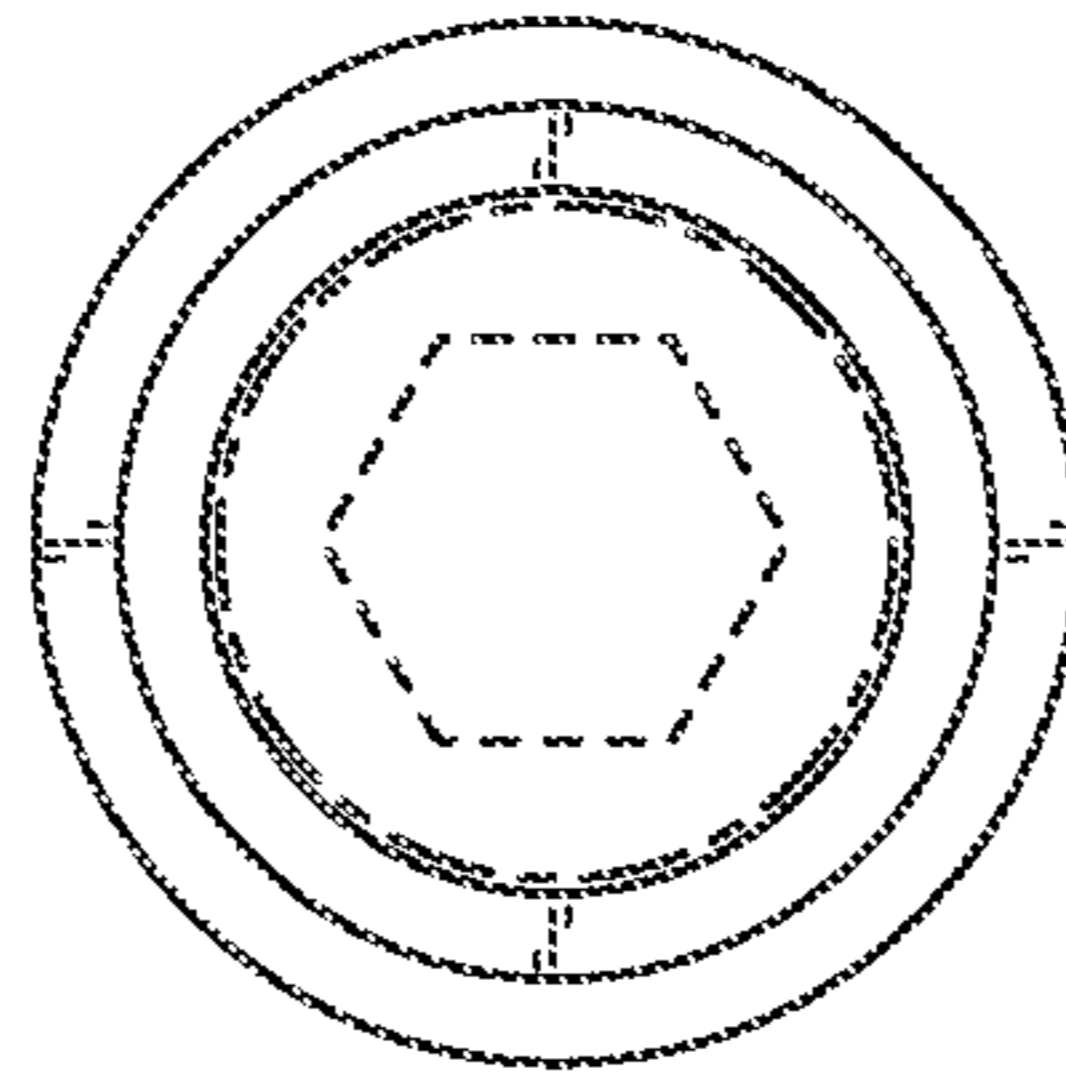


FIG. 13

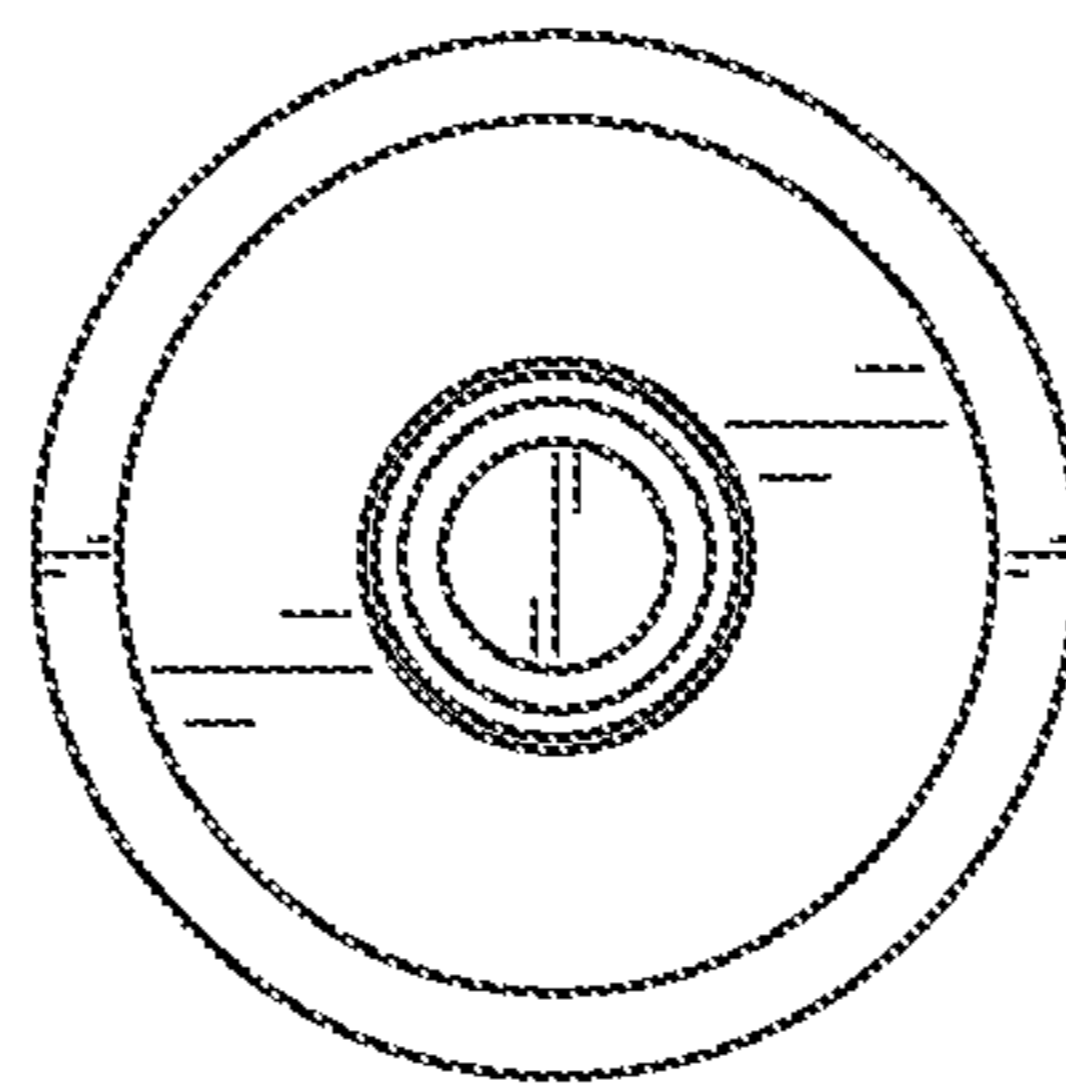


FIG. 14