



US00D727466S

(12) **United States Design Patent**  
**Richter et al.**

(10) **Patent No.:** **US D727,466 S**  
(45) **Date of Patent:** **\*\* Apr. 21, 2015**

(54) **ELECTROSTATIC SPRAY GUN**

(56) **References Cited**

- (71) Applicant: **Graco Minnesota Inc.**, Minneapolis, MN (US)
- (72) Inventors: **Mark C. Richter**, River Falls, WI (US);  
**Elisa J. McCline**, Elk River, MN (US);  
**Tamara M. Bentley**, Minneapolis, MN (US)
- (73) Assignee: **Graco Minnesota Inc.**, Minneapolis, MN (US)
- (\*\*) Term: **14 Years**
- (21) Appl. No.: **29/507,383**
- (22) Filed: **Oct. 27, 2014**

U.S. PATENT DOCUMENTS

D313,064	S	*	12/1990	Lind et al.	.....	D23/226
D350,387	S	*	9/1994	Feitel et al.	.....	D23/226
5,857,625	A	*	1/1999	Klein et al.	.....	239/289
D441,833	S	*	5/2001	Haas	.....	D23/226
D457,599	S	*	5/2002	Karwoski et al.	.....	D23/226
6,758,424	B2		7/2004	Lind et al.		
D604,394	S	*	11/2009	Wang	.....	D23/226
D608,858	S	*	1/2010	Baltz et al.	.....	D23/226
D641,067	S	*	7/2011	Wang	.....	D23/226
D649,221	S	*	11/2011	Sinders et al.	.....	D23/226
8,496,194	B2	*	7/2013	Baltz	.....	239/690

\* cited by examiner

*Primary Examiner* — Robin V Webster  
(74) *Attorney, Agent, or Firm* — Douglas B. Farrow

(57) **CLAIM**  
The ornamental design for an electrostatic spray gun, as shown and described.

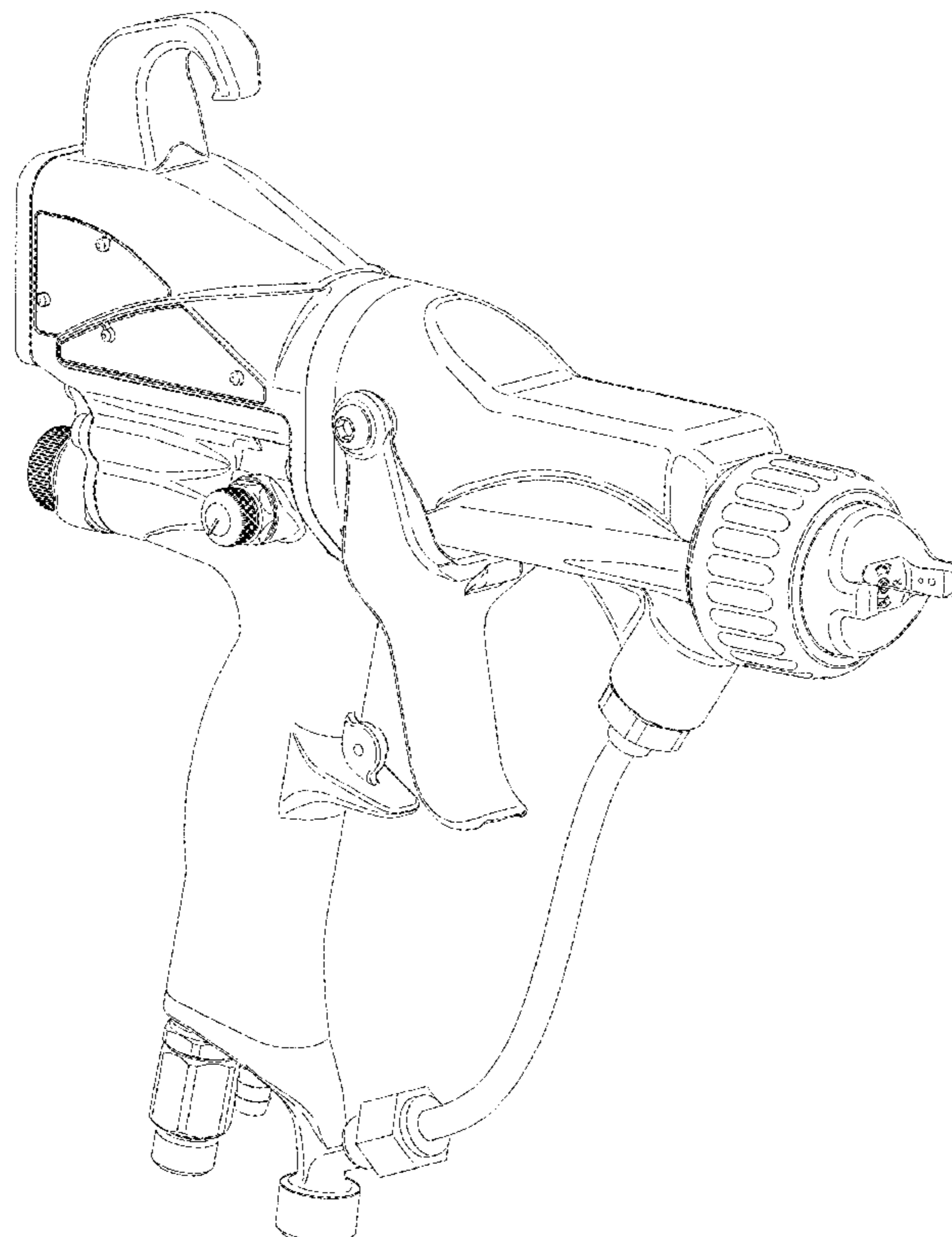
**Related U.S. Application Data**

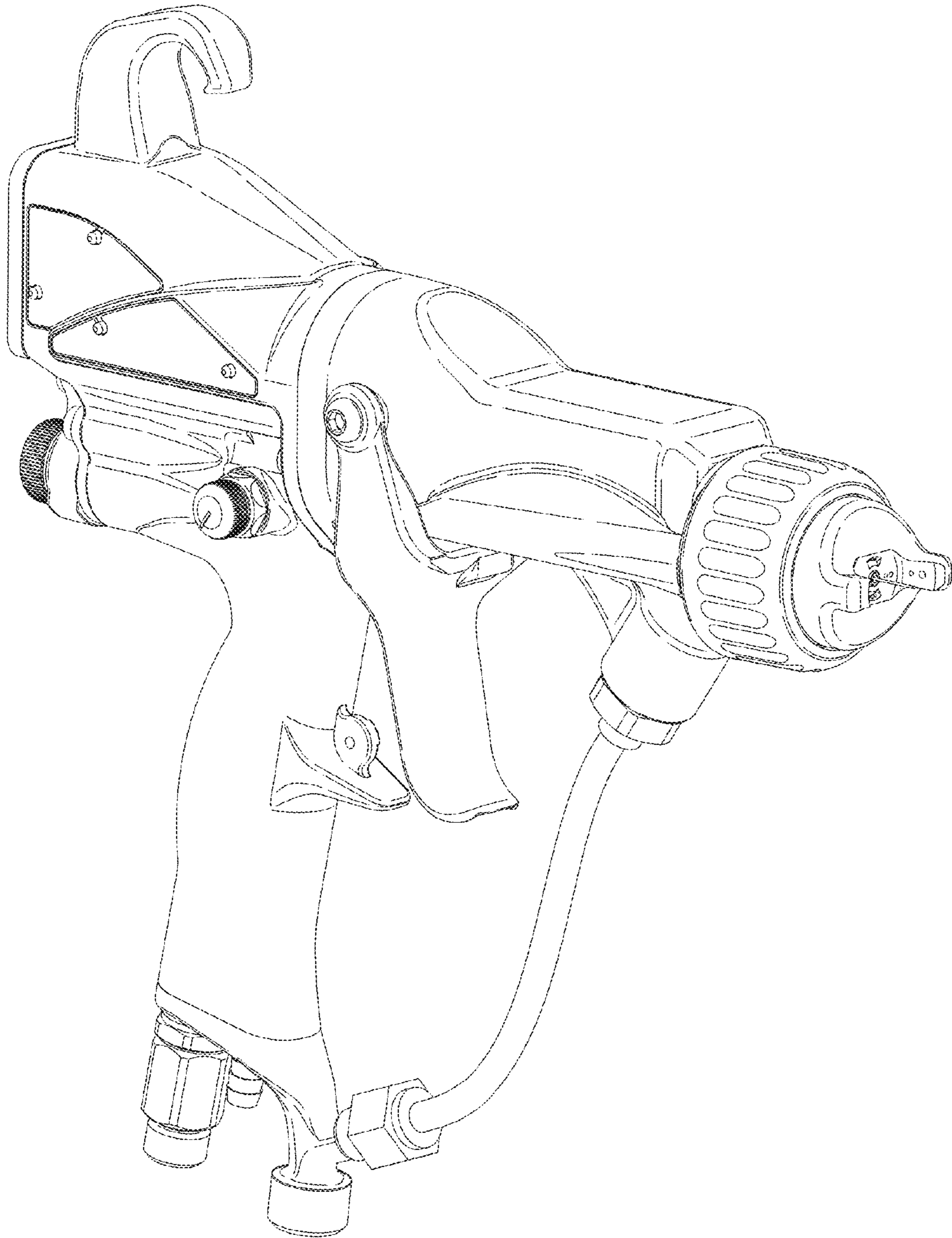
- (62) Division of application No. 29/435,891, filed on Oct. 30, 2012.
- (51) **LOC (10) Cl.** ..... **23-01**
- (52) **U.S. Cl.**  
USPC ..... **D23/226**
- (58) **Field of Classification Search**  
USPC ..... D23/213, 223, 226; 239/526, 690, 691,  
239/290, 291; 361/227, 228  
See application file for complete search history.

**DESCRIPTION**

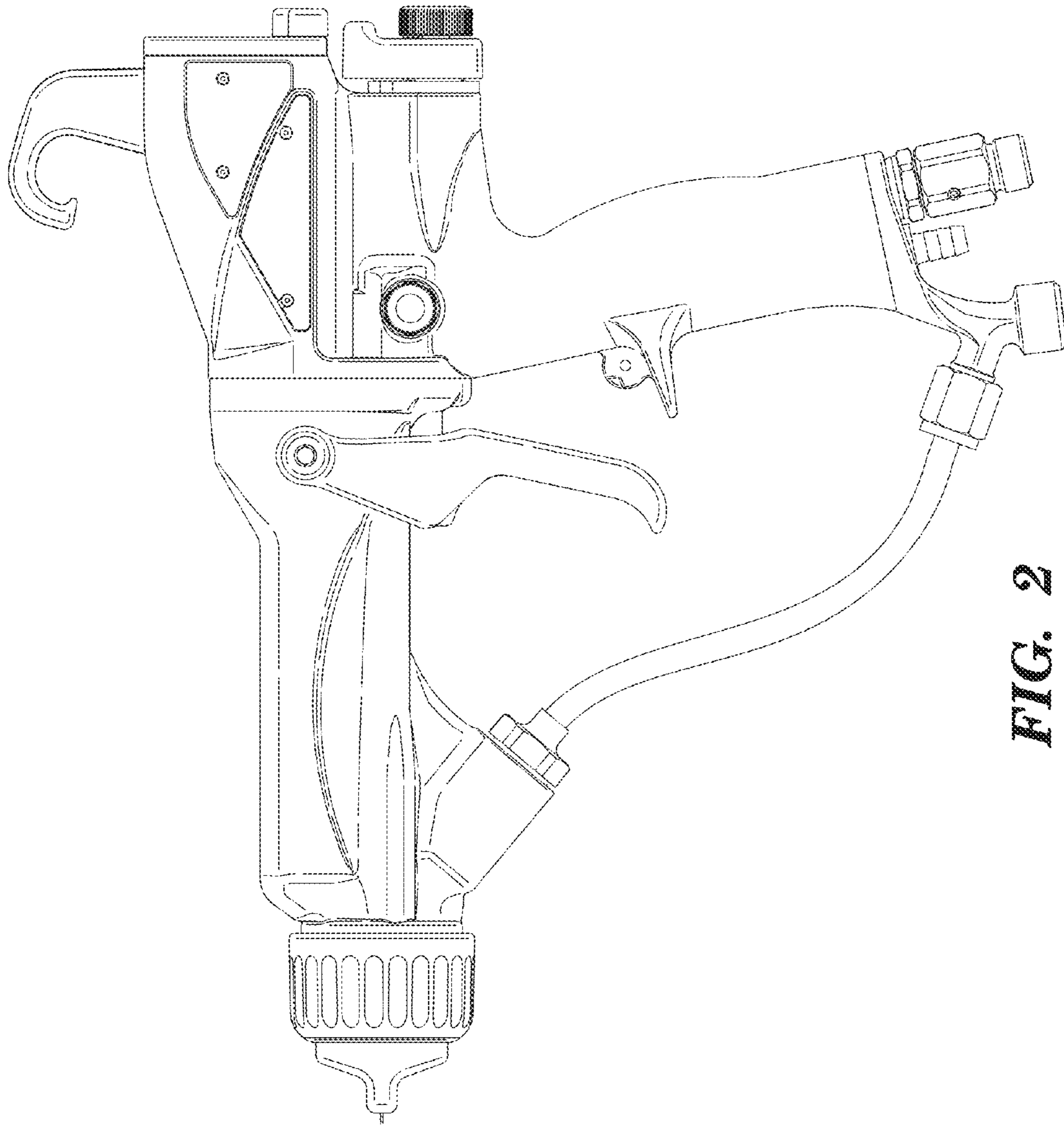
FIG. 1 is a front right isometric view of an electrostatic spray gun;  
FIG. 2 is a left side view thereof;  
FIG. 3 is a back view thereof,  
FIG. 4 is a front side view thereof;  
FIG. 5 is a top view thereof;  
FIG. 6 is a right side view thereof; and,  
FIG. 7 is a bottom view of an electrostatic spray gun.

**1 Claim, 7 Drawing Sheets**

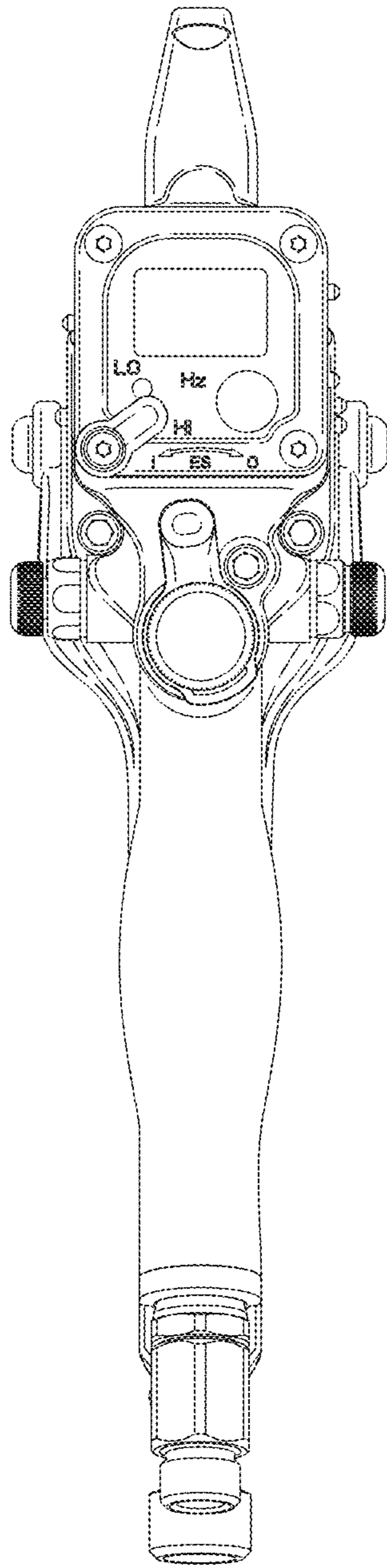




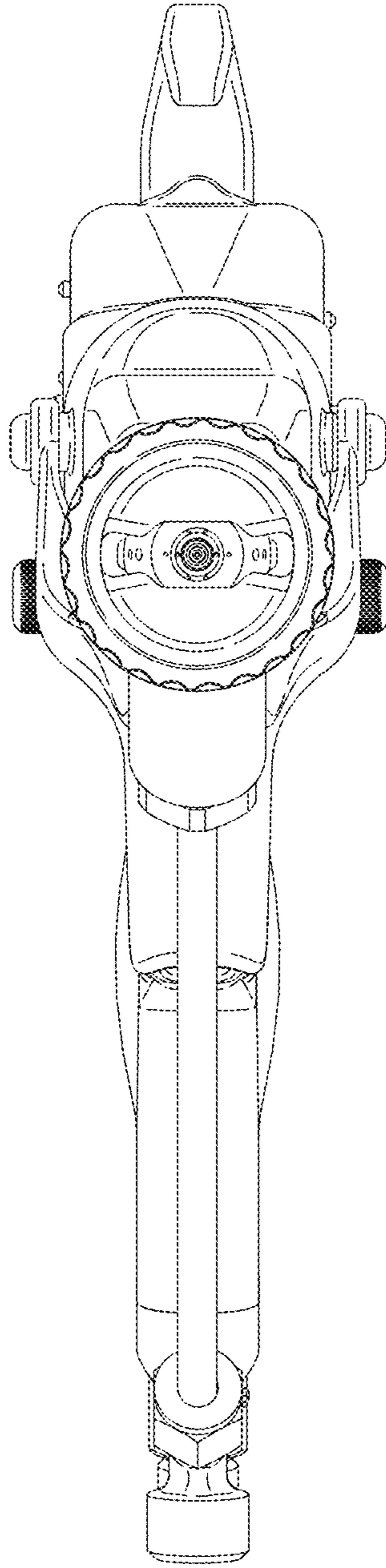
**FIG. 1**



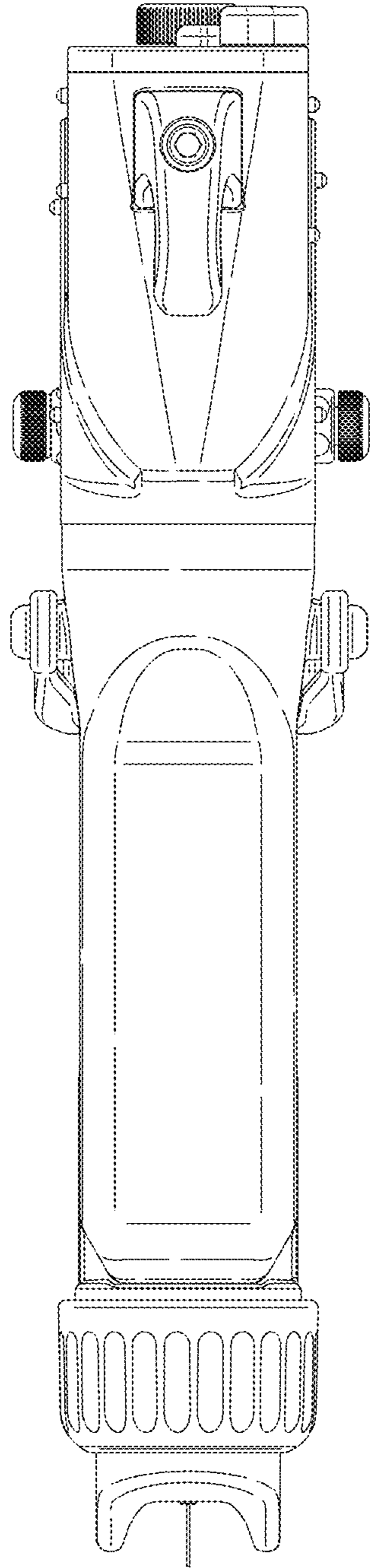
**FIG. 2**



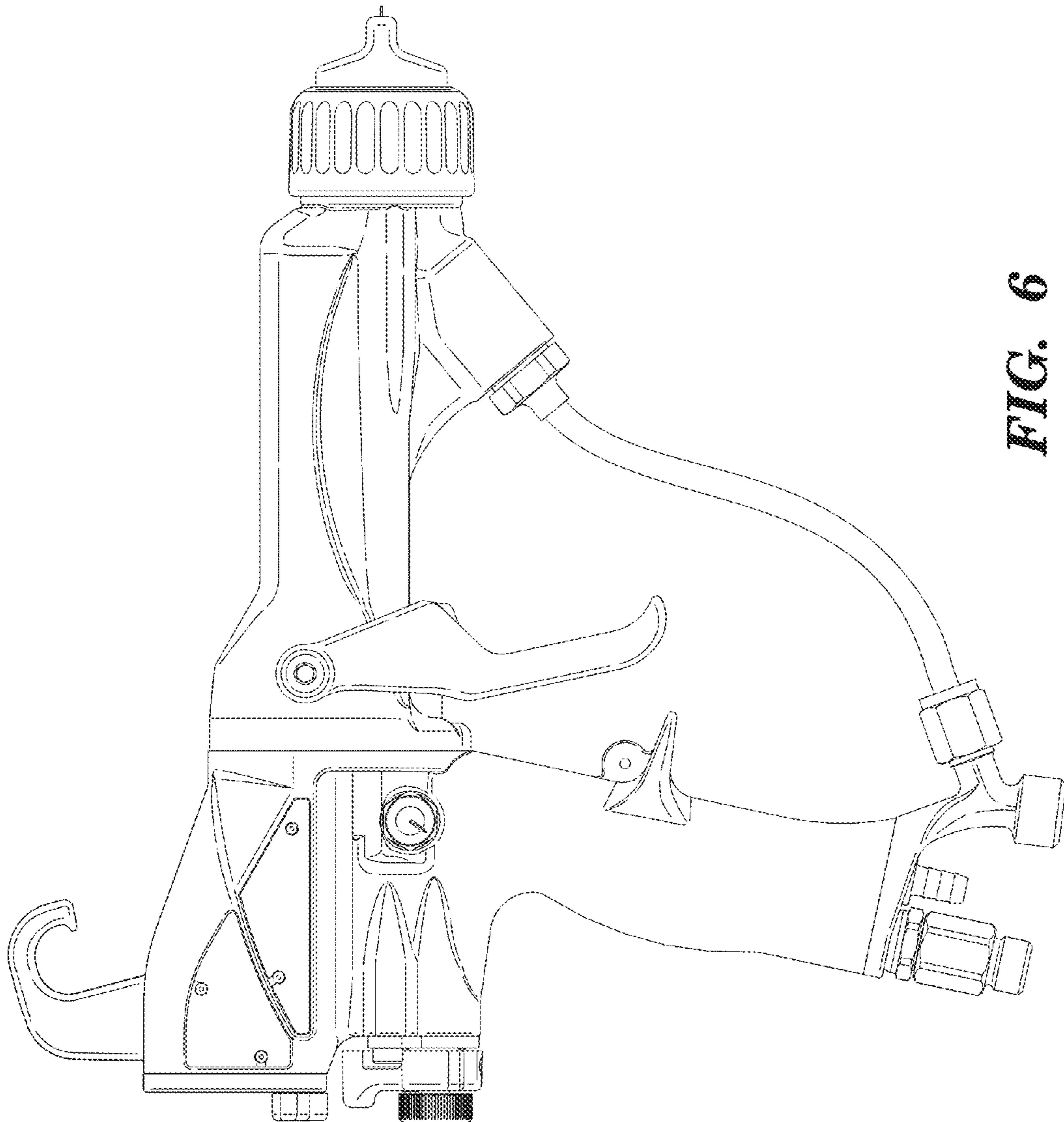
**FIG. 3**



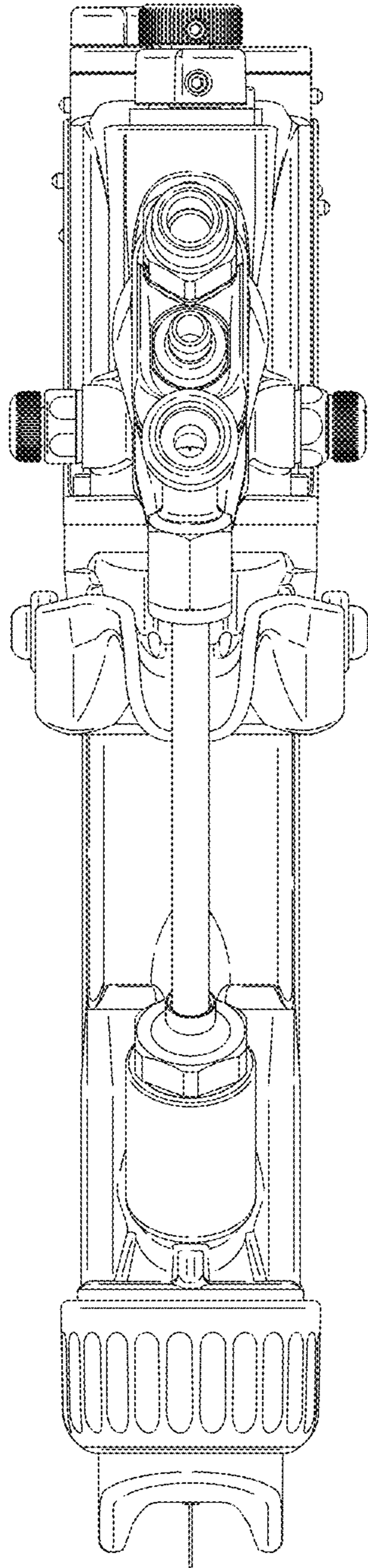
**FIG. 4**



**FIG. 5**



**FIG. 6**



**FIG. 7**