



US00D727465S

(12) **United States Design Patent**
Gladstone et al.

(10) **Patent No.:** **US D727,465 S**

(45) **Date of Patent:** **** Apr. 21, 2015**

(54) **MISTING AND WATERING DEVICE**

(56) **References Cited**

(71) Applicants: **Larry Gladstone**, Smithtown, NY (US);
Marc Steinmann, Farmingville, NY
(US)

U.S. PATENT DOCUMENTS

D167,218	S	*	7/1952	Miller et al.	D23/217
3,599,917	A	*	8/1971	Schwartz	248/87
4,519,544	A	*	5/1985	Szabo	239/279
D310,477	S	*	9/1990	Fleecs	D8/356
5,836,516	A	*	11/1998	Van Epps et al.	239/280.5
D527,441	S	*	8/2006	La Mesa et al.	D23/214

(72) Inventors: **Larry Gladstone**, Smithtown, NY (US);
Marc Steinmann, Farmingville, NY
(US)

* cited by examiner

(73) Assignee: **Rand Strollo**, Bayshore, NY (US), part
interest

Primary Examiner — Robin V Webster

(74) *Attorney, Agent, or Firm* — Tutunjian & Bitetto, P.C.

(**) Term: **14 Years**

(57) **CLAIM**

The ornamental design for a misting and watering device, as
shown and described.

(21) Appl. No.: **29/483,331**

DESCRIPTION

(22) Filed: **Feb. 27, 2014**

(51) **LOC (10) Cl.** **23-01**

(52) **U.S. Cl.**
USPC **D23/214**

(58) **Field of Classification Search**
CPC B05B 15/06
USPC D23/213, 214, 217; 239/273, 276, 280,
239/281, 280.5

FIG. 1 is a perspective view of the pole mister showing our
new design;

FIG. 2 is a front view thereof;

FIG. 3 is a side view thereof;

FIG. 4 is a rear view thereof;

FIG. 5 is a side view thereof;

FIG. 6 is a top view thereof; and,

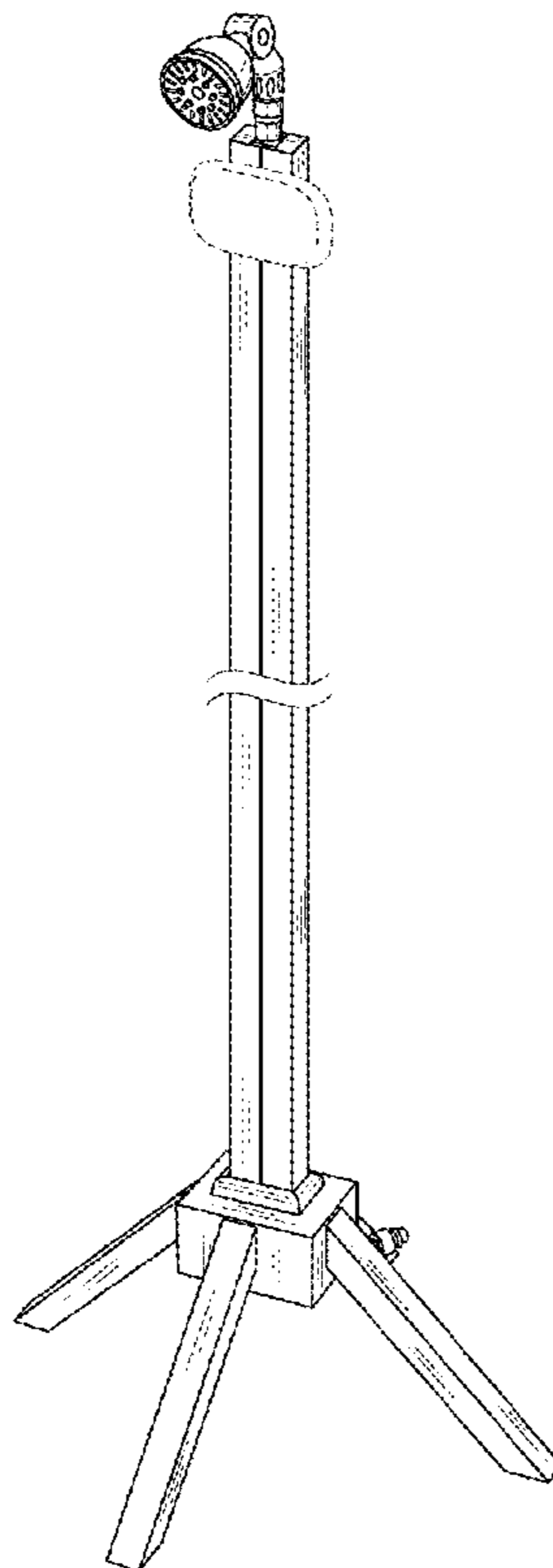
FIG. 7 is a bottom view thereof.

The dotted lines shown in the drawings do not make up any
part of the claimed design.

The claimed design is shown fragmented to indicate non-
specified length.

See application file for complete search history.

1 Claim, 6 Drawing Sheets



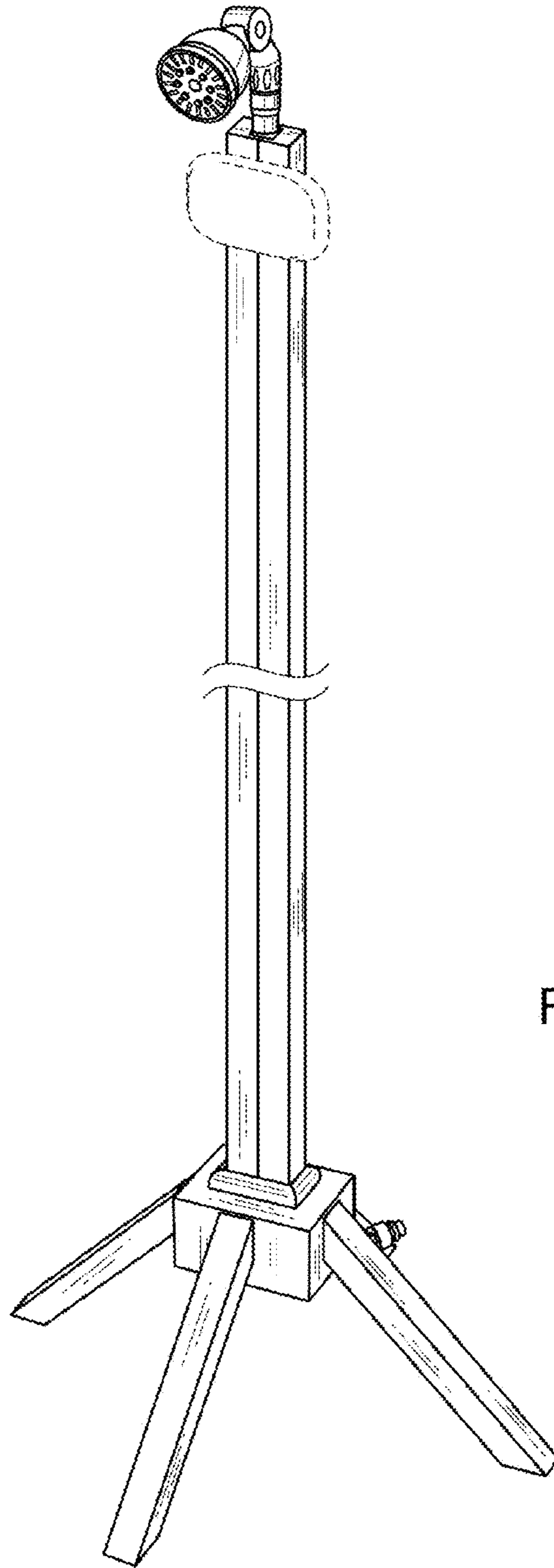


FIG. 1

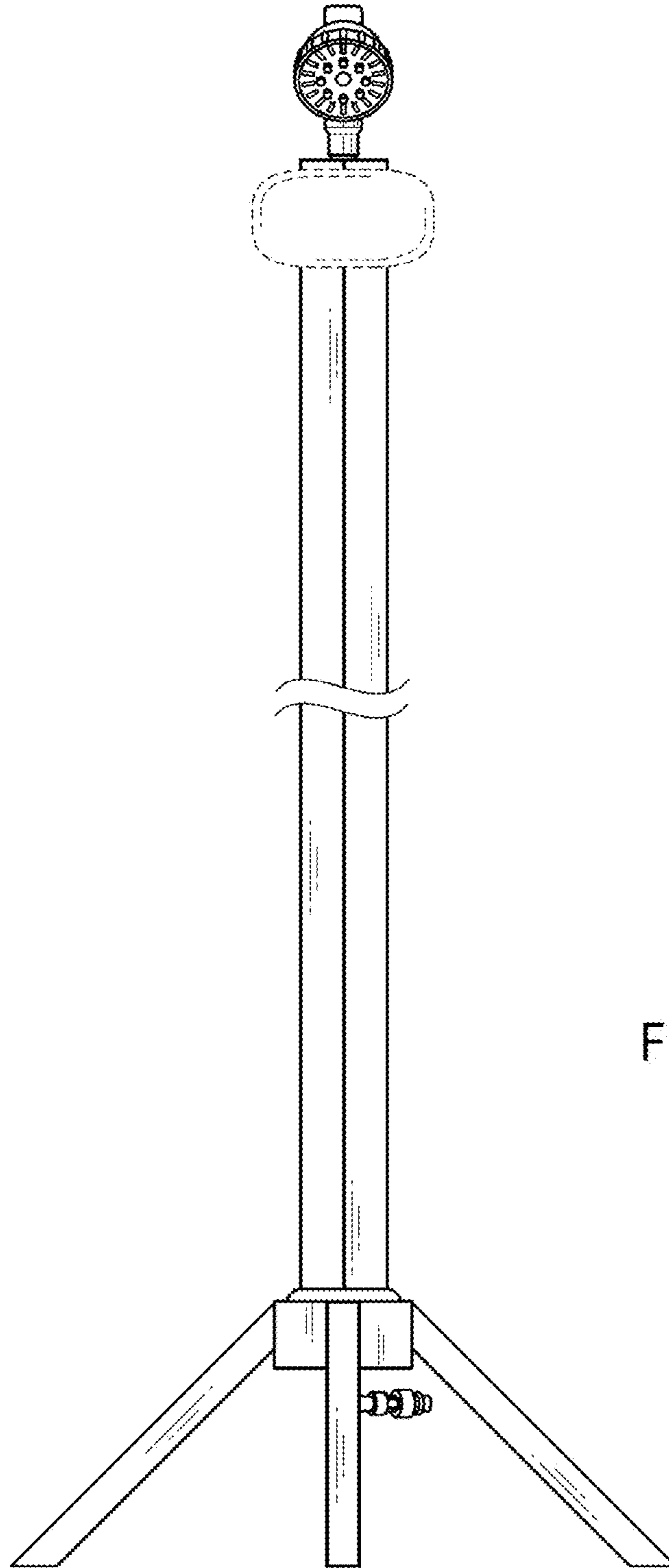


FIG. 2

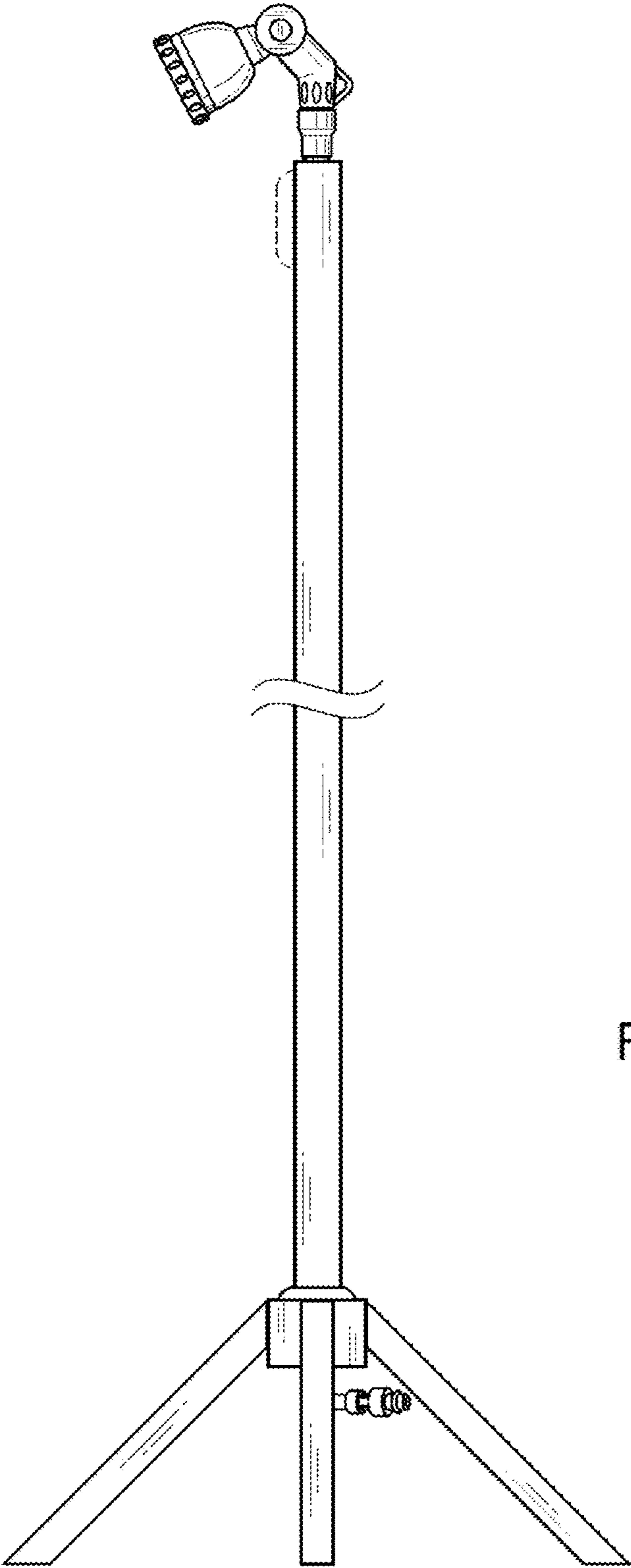


FIG. 3

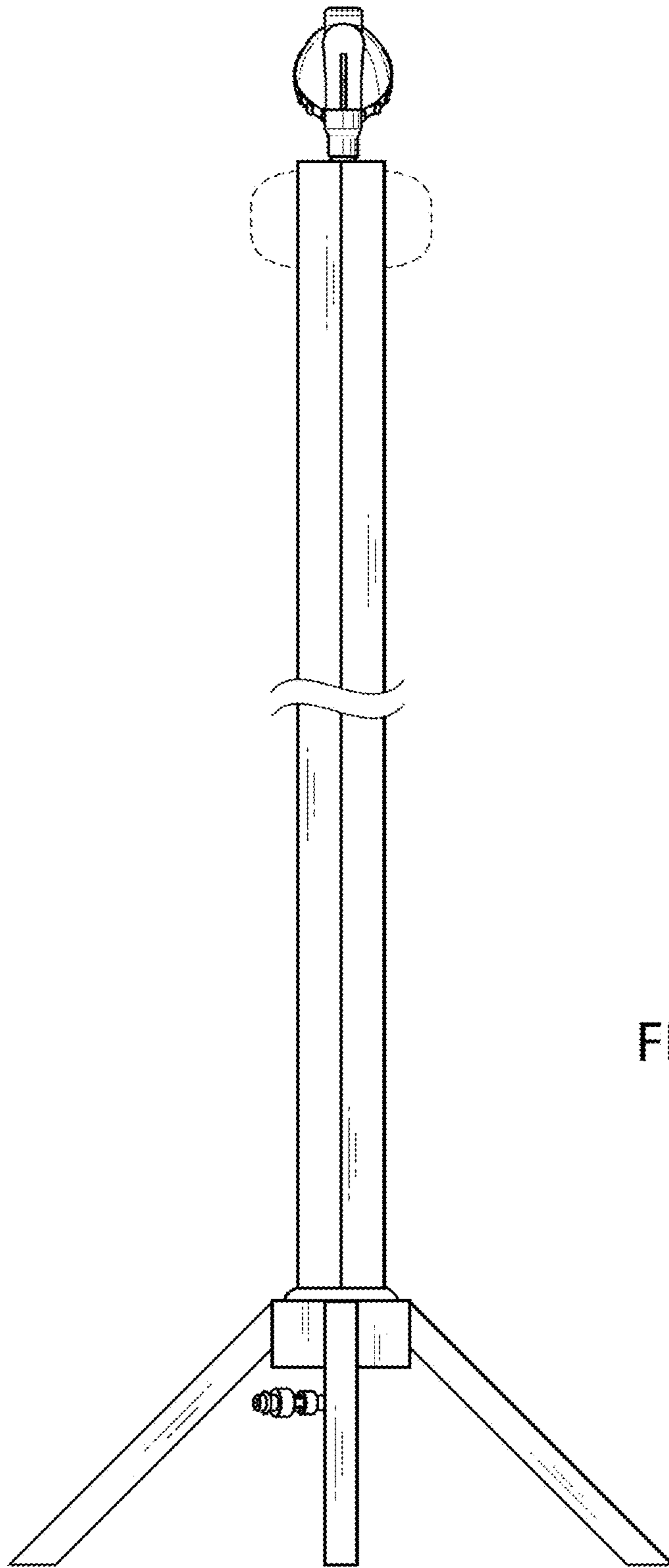


FIG. 4

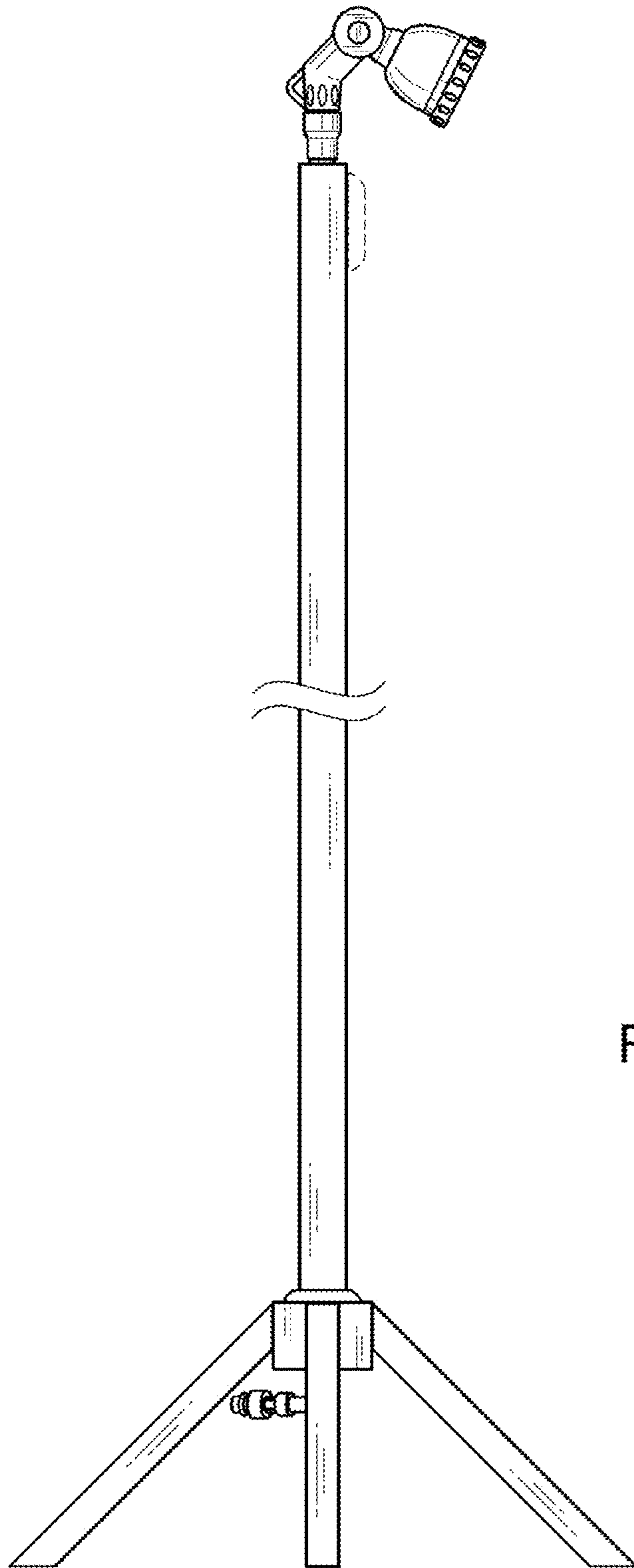


FIG. 5

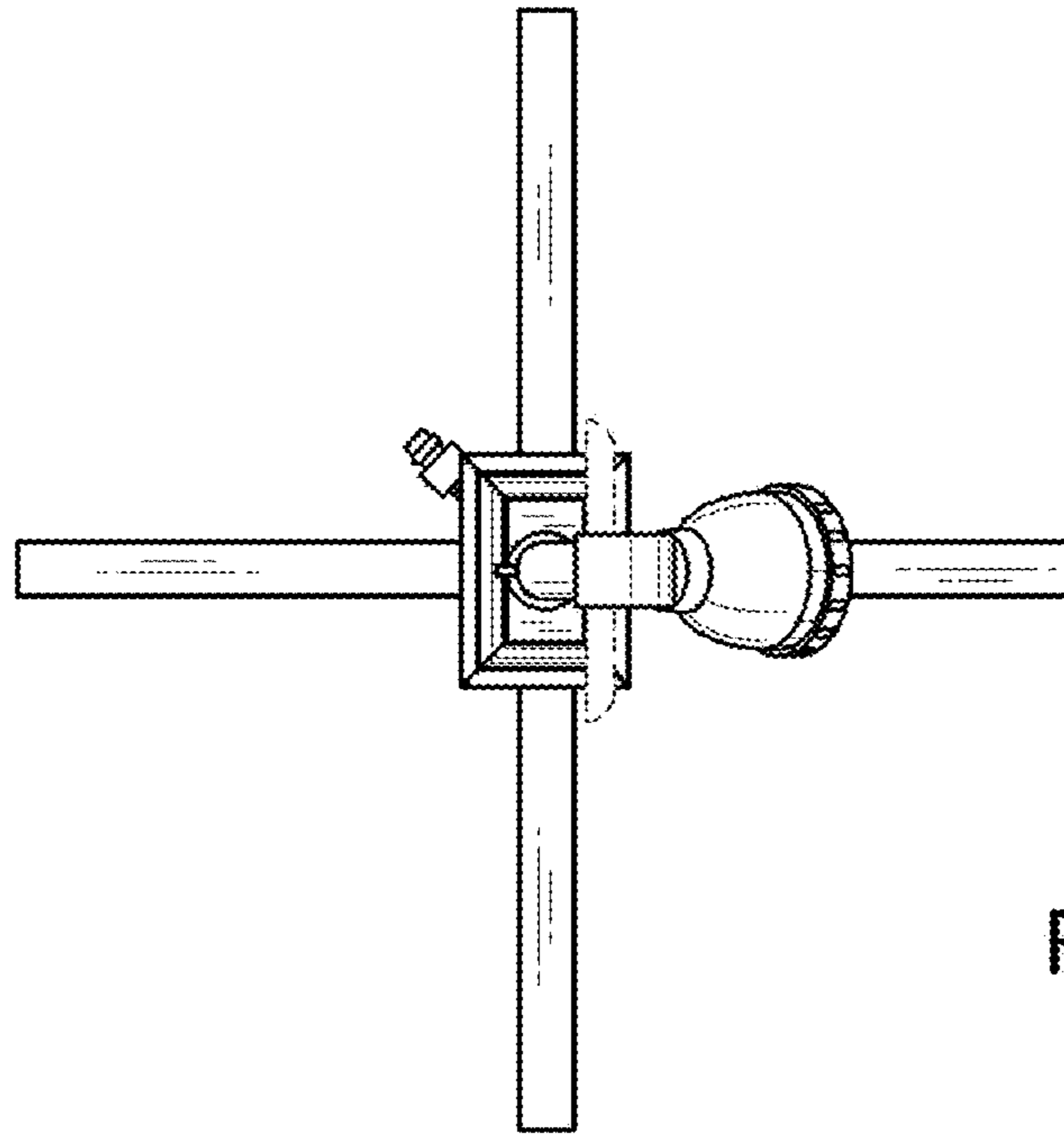


FIG. 6

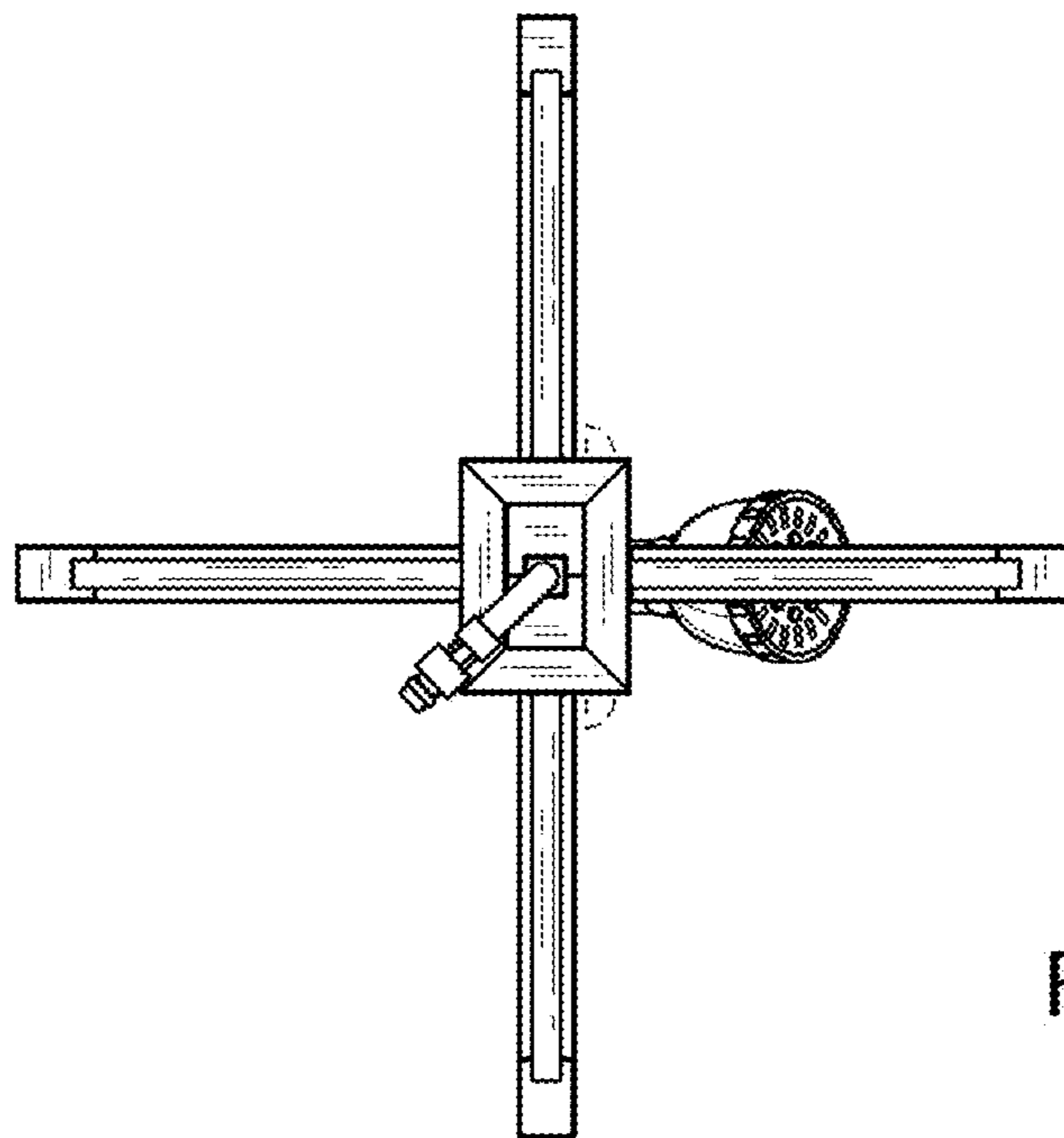


FIG. 7