



US00D727462S

(12) **United States Design Patent**
Antonucci

(10) **Patent No.:** **US D727,462 S**
(45) **Date of Patent:** **** Apr. 21, 2015**

(54) **OIL FILTER WITH DRAIN PLUG**
(71) Applicant: **David Antonucci**, Hamden, CT (US)
(72) Inventor: **David Antonucci**, Hamden, CT (US)
(**) Term: **14 Years**

6,485,637 B2 11/2002 Jainek
6,488,845 B1 12/2002 Neufeld
6,616,838 B1 9/2003 Harris
D518,555 S 4/2006 De Muro, Jr.
7,297,282 B2 11/2007 Suzumori
7,507,339 B2 3/2009 Gilles

(21) Appl. No.: **29/491,289**
(22) Filed: **May 20, 2014**
(51) **LOC (10) Cl.** **23-01**
(52) **U.S. Cl.**
USPC **D23/209**
(58) **Field of Classification Search**
USPC D23/207, 209; 210/232, 233, 235, 248,
210/DIG. 17, 493.1
See application file for complete search history.

FOREIGN PATENT DOCUMENTS

JP 2006017084 1/2006

* cited by examiner

Primary Examiner — Robin V Webster

(57) **CLAIM**

I claim the ornamental design for the oil filter with drain plug, as shown and described.

DESCRIPTION

FIG. 1 is a front view of the oil filter with drain plug.
FIG. 2 is a right side view of the claimed design.
FIG. 3 is a top view of the claimed design.
FIG. 4 is a bottom view of the claimed design; and,
FIG. 5 is a perspective view of the claimed design.
FIG. 4 includes broken lines, which shall be construed as environmental matter forming no part of the claimed design.

(56) **References Cited**

U.S. PATENT DOCUMENTS

3,912,633 A * 10/1975 Delaney 210/167.02
5,738,785 A 4/1998 Brown
5,902,479 A * 5/1999 Fukumori et al. 210/248
6,257,417 B1 * 7/2001 Szumera 210/443
6,375,840 B1 * 4/2002 Hunter 210/232
6,423,222 B1 * 7/2002 Shively et al. 210/232

1 Claim, 5 Drawing Sheets

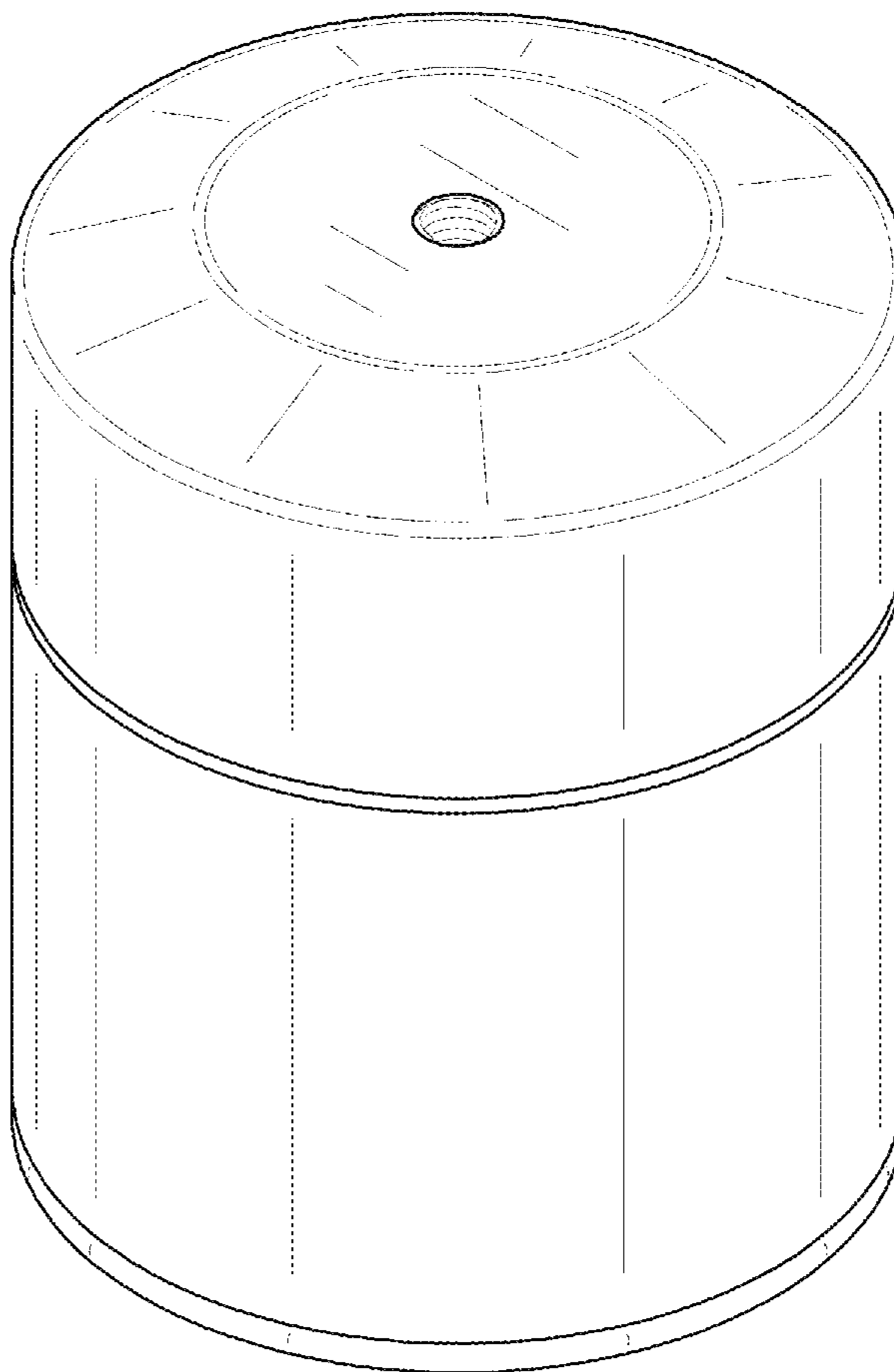
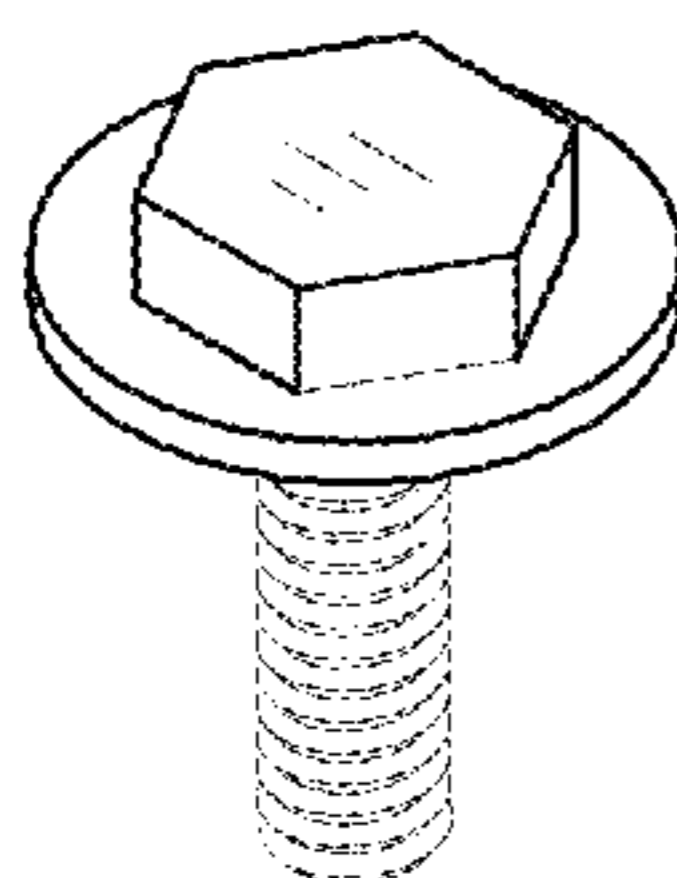
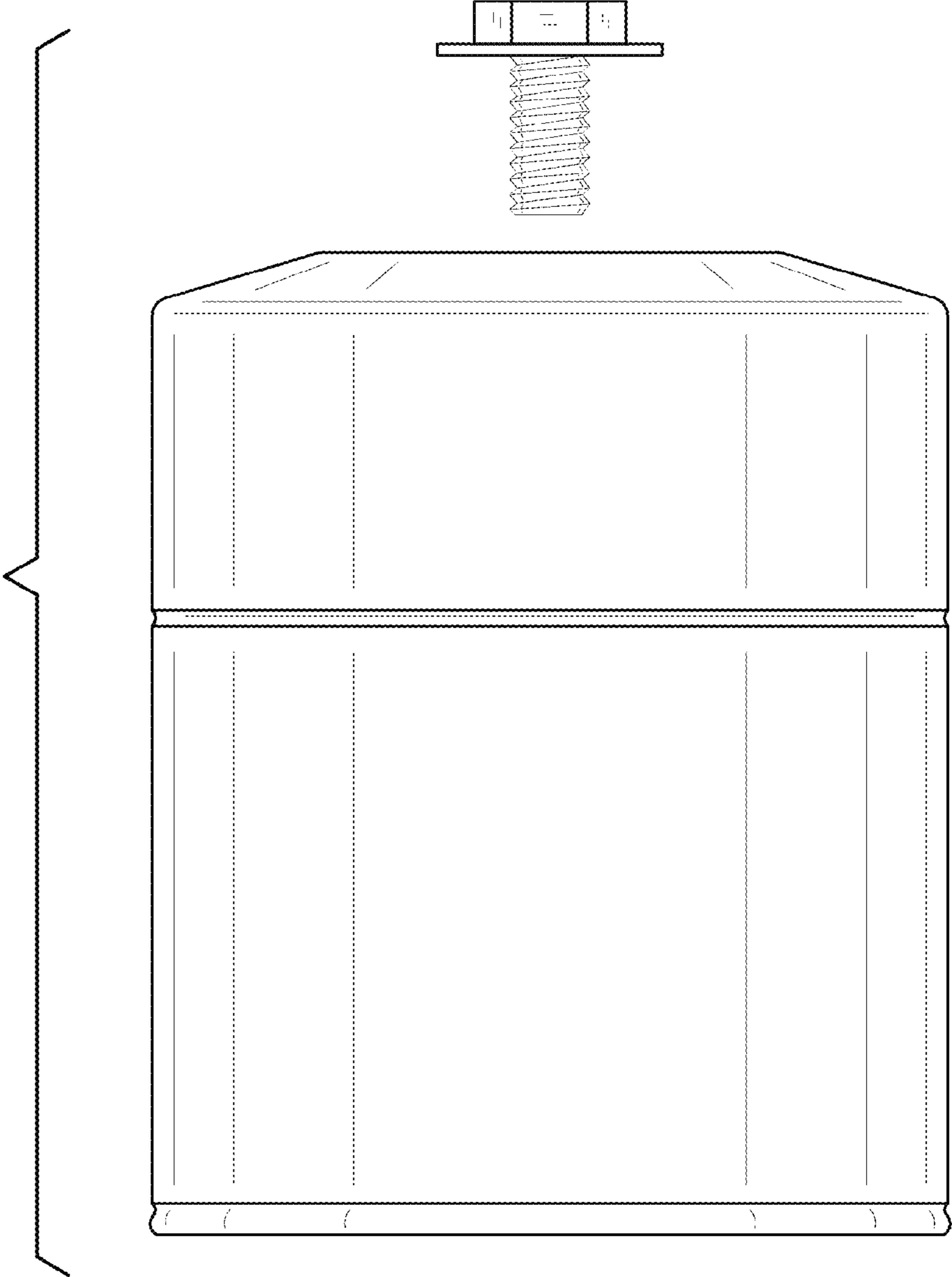


FIG. 1



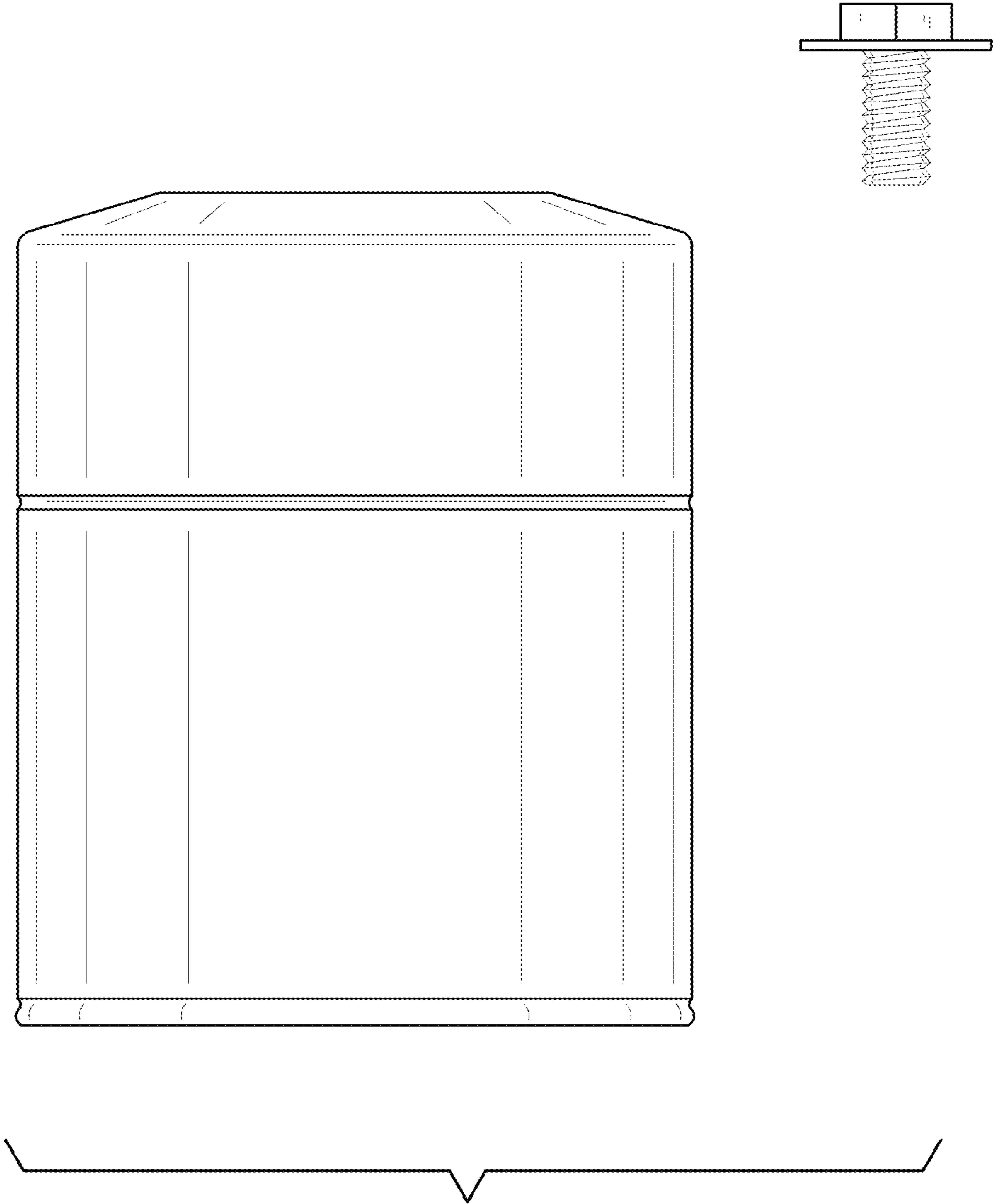


FIG. 2

FIG. 3

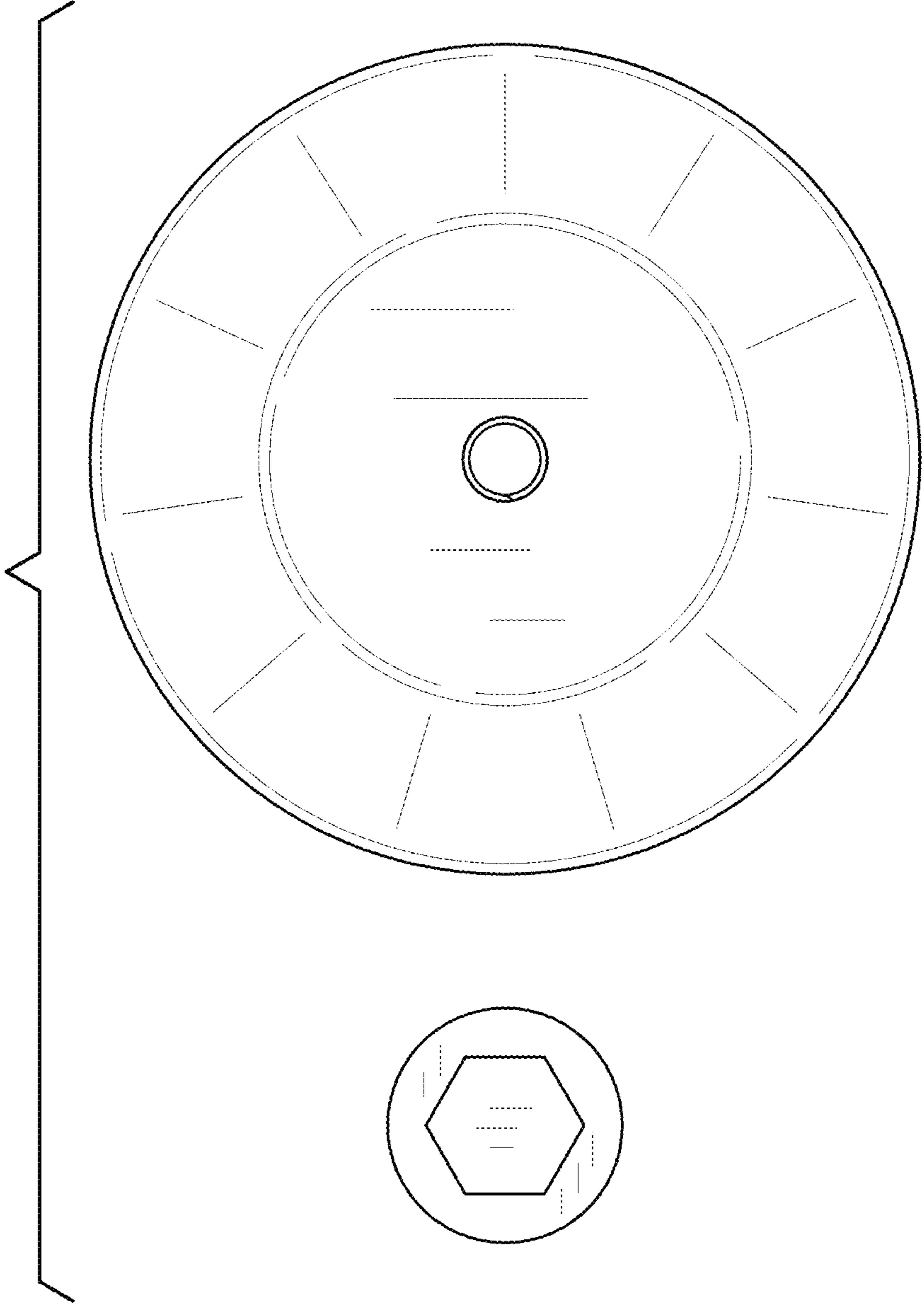


FIG. 4

