



US00D727461S

(12) **United States Design Patent**
Abraham et al.

(10) **Patent No.:** **US D727,461 S**
(45) **Date of Patent:** **** Apr. 21, 2015**

(54) **WATER FILTER DEVICE AND HOUSING**

(56) **References Cited**

(71) Applicant: **Dräger Medical GmbH**, D-Lübeck
(DE)

U.S. PATENT DOCUMENTS

(72) Inventors: **Klaus Abraham**, Lübeck (DE);
Meinhard Braedel, Lübeck (DE)

2,492,704 A *	12/1949	Lentz	210/333.1
3,598,243 A *	8/1971	Gutkowski	210/340
4,615,800 A *	10/1986	Stifelman et al.	210/132
D346,425 S *	4/1994	Hamlett	D23/207
D394,303 S *	5/1998	Pucci	D23/207
D407,462 S *	3/1999	Bishop et al.	D23/207
D519,186 S *	4/2006	Oranski et al.	D23/209
D621,001 S *	8/2010	Maziel et al.	D23/209
D668,741 S *	10/2012	Choi	D23/209

(73) Assignee: **Dräger Medical GmbH**, D-Lubeck
(DE)

* cited by examiner

(**) Term: **14 Years**

Primary Examiner — Robin V Webster

(21) Appl. No.: **29/488,422**

(74) *Attorney, Agent, or Firm* — Taft Stettinius & Hollister,
LLP; Ryan O. White

(22) Filed: **Apr. 18, 2014**

(57) **CLAIM**

(30) **Foreign Application Priority Data**

The ornamental design for a water filter device and housing,
as shown and described.

Dec. 16, 2013 (EM) 002370577-0001

Dec. 16, 2013 (EM) 002370577-0002

(51) **LOC (10) Cl.** **23-01**

(52) **U.S. Cl.**
USPC **D23/209**

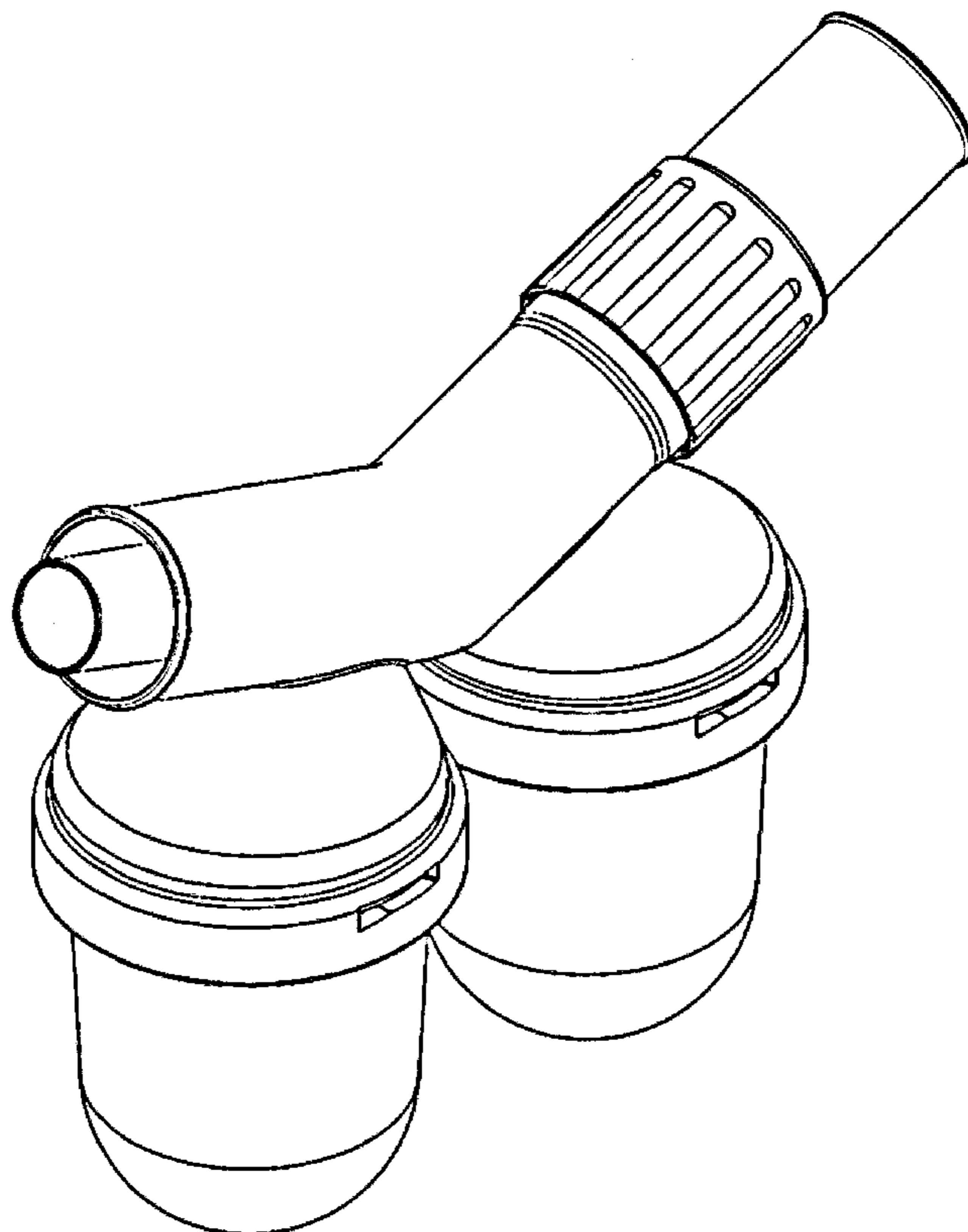
(58) **Field of Classification Search**
USPC D23/207, 209; 210/200–203, 340,
210/323.1

DESCRIPTION

See application file for complete search history.

FIG. 1 is a perspective view of the water filter device and housing that illustrates the novel design; FIG. 2 is a left view of the device and housing of FIG. 1; FIG. 3 is a right view of the device and housing of FIG. 1; FIG. 4 is a front view of the device and housing of FIG. 1; FIG. 5 is a rear view of the device and housing of FIG. 1; FIG. 6 is a top view of the device and housing of FIG. 1; and, FIG. 7 is a bottom view of the device and housing of FIG. 1.

1 Claim, 7 Drawing Sheets



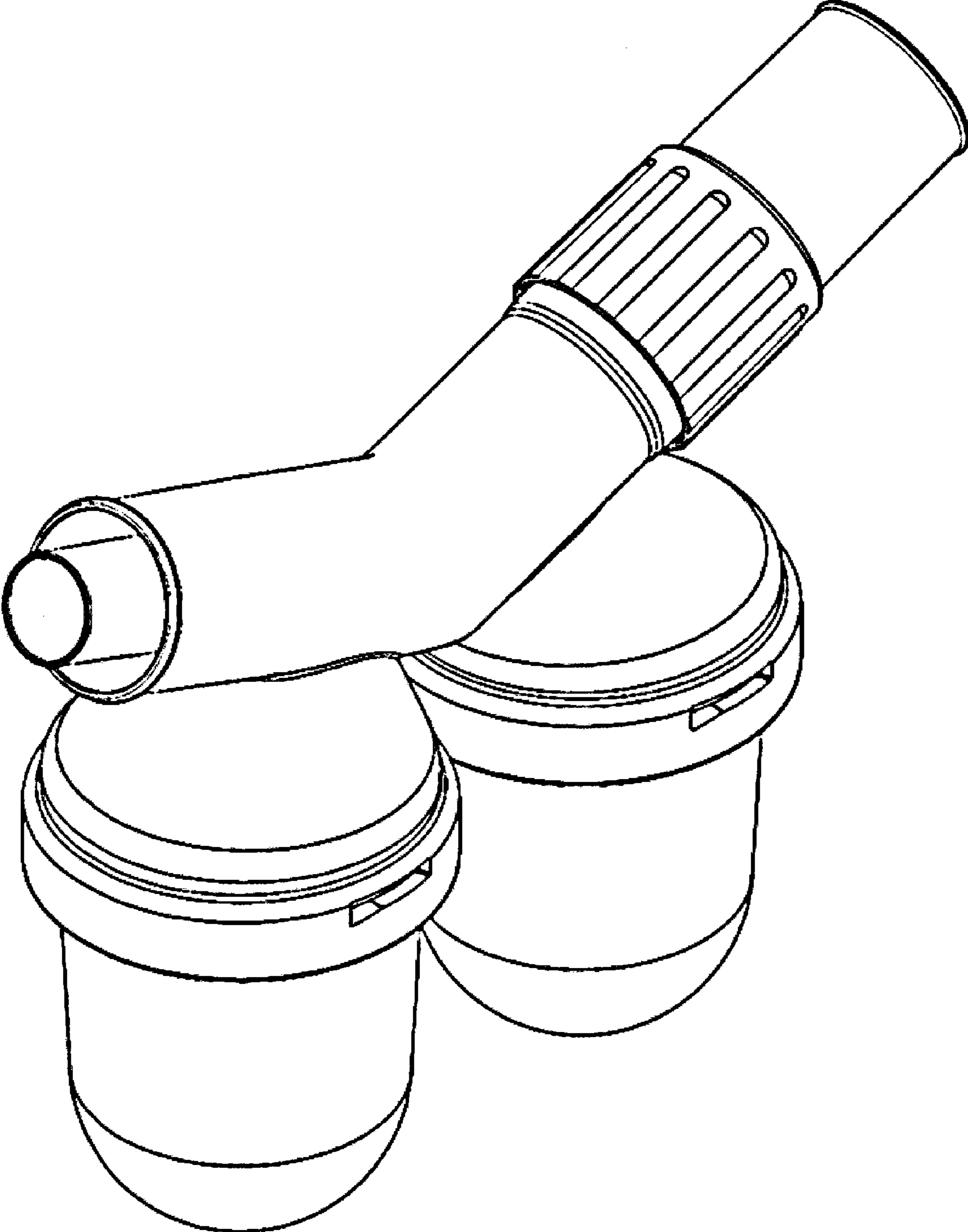


FIG. 1

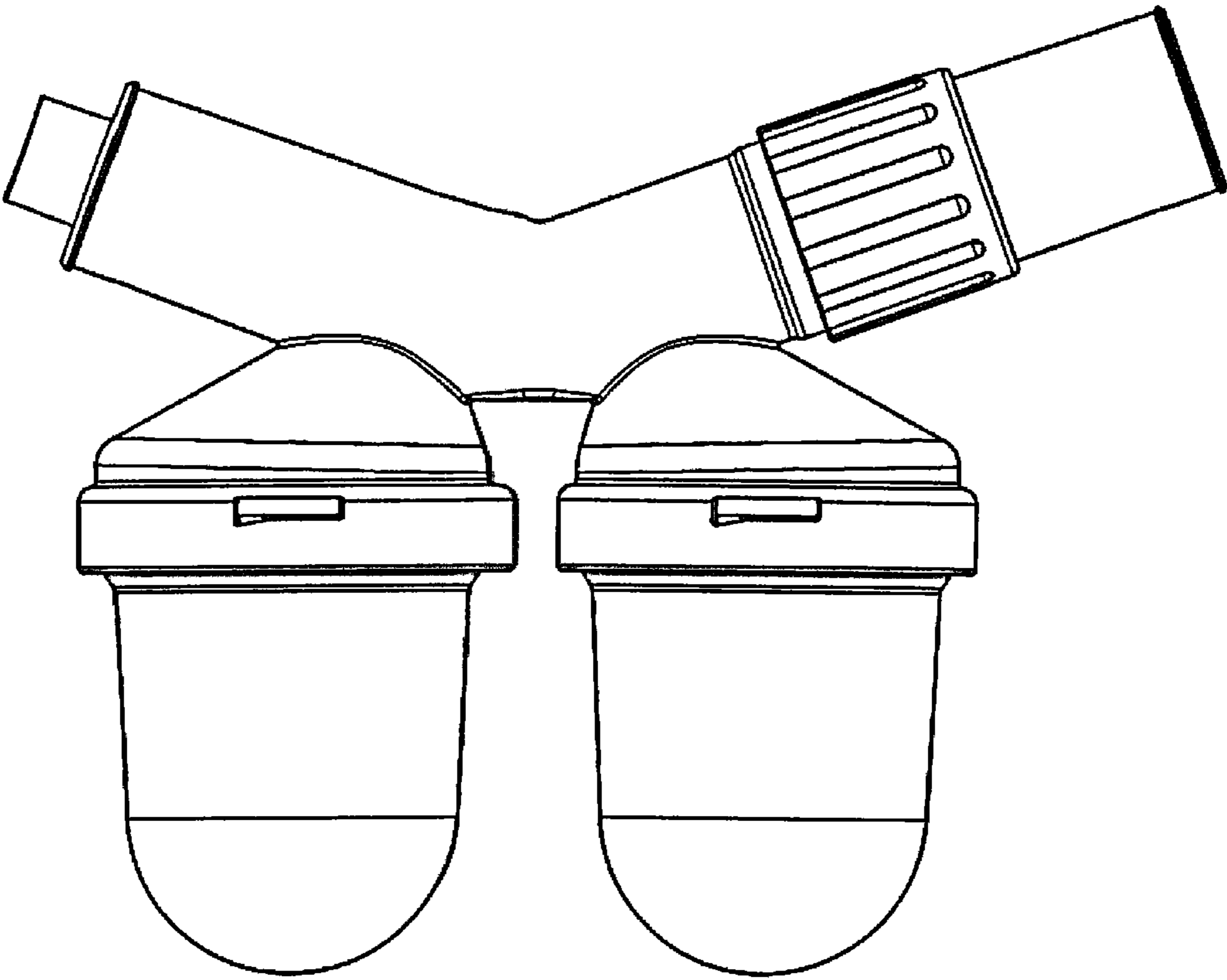


FIG. 2

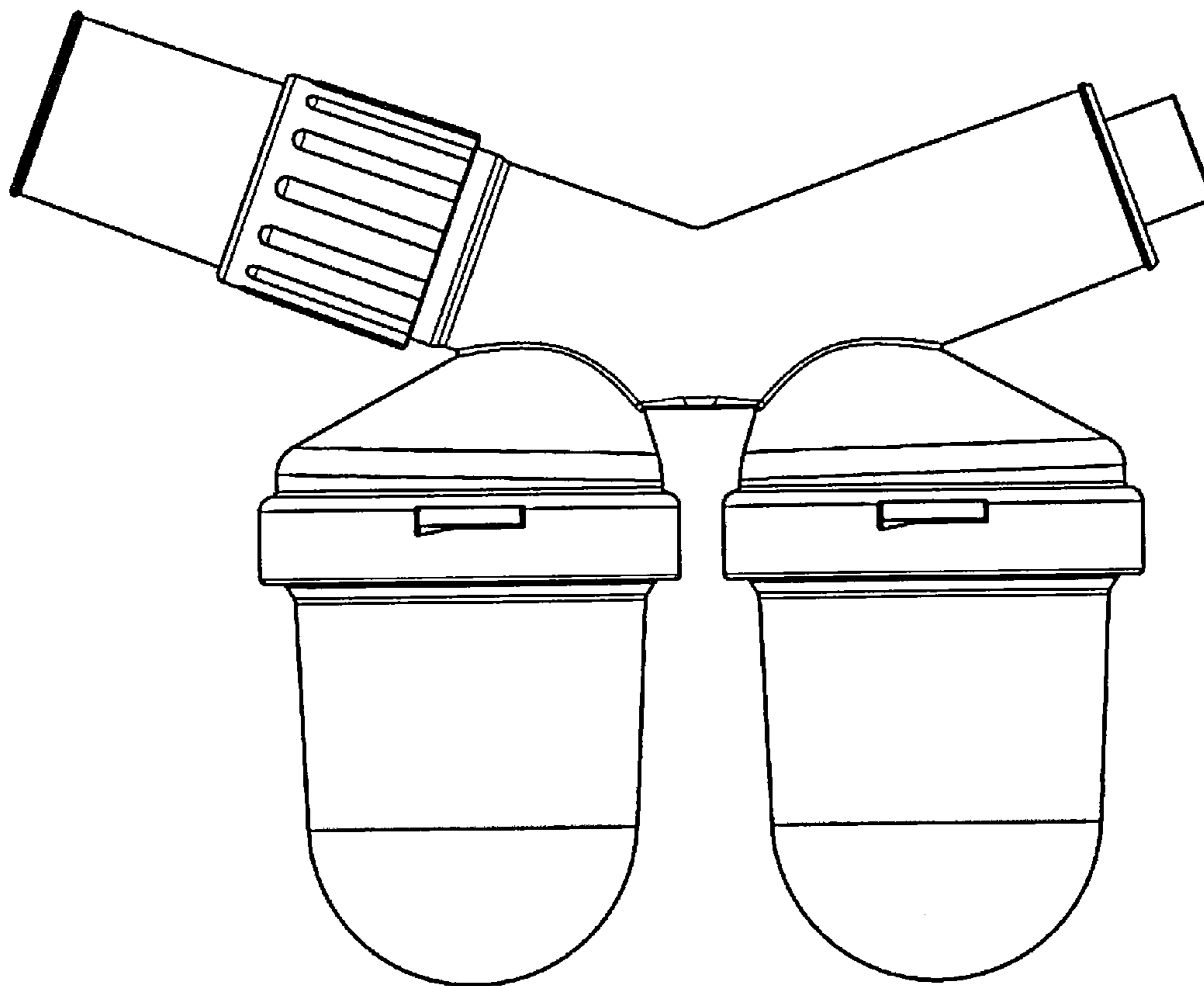


FIG. 3

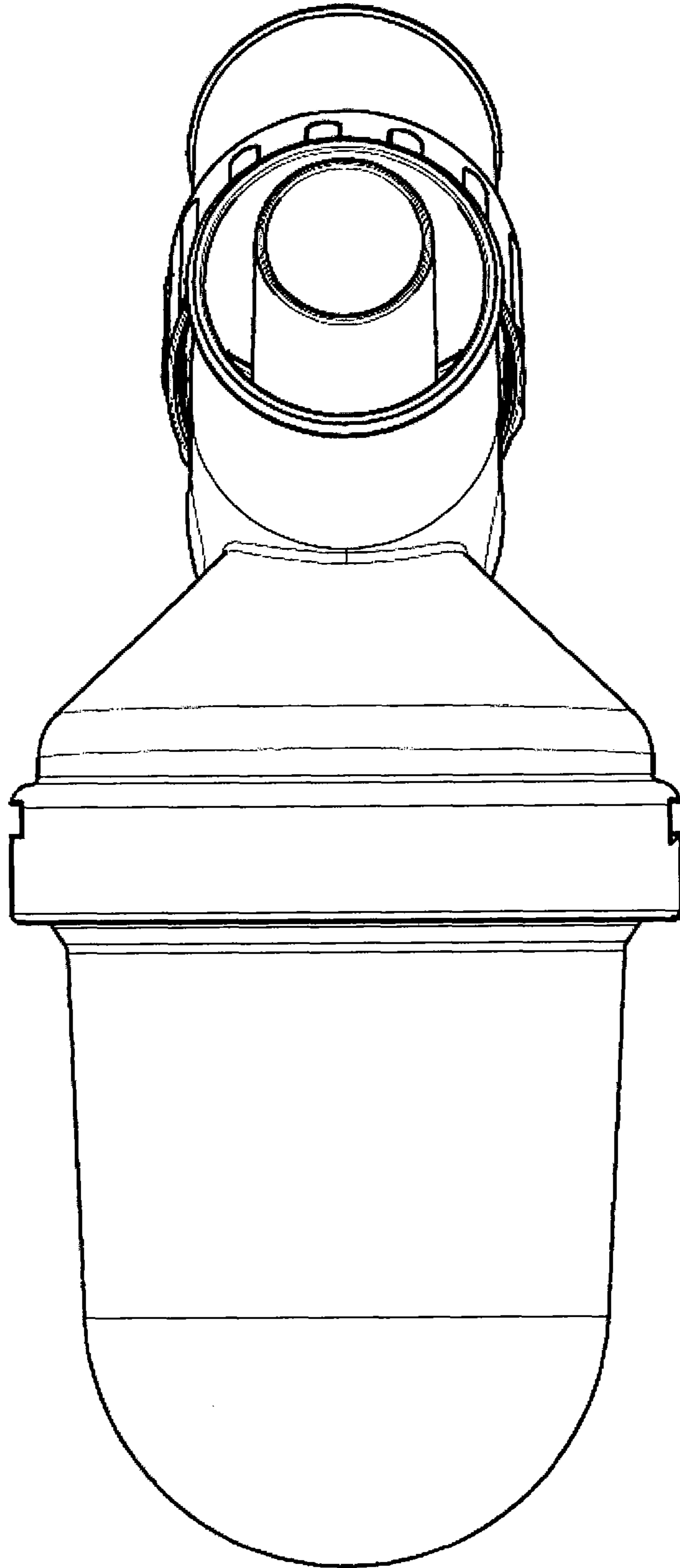


FIG. 4

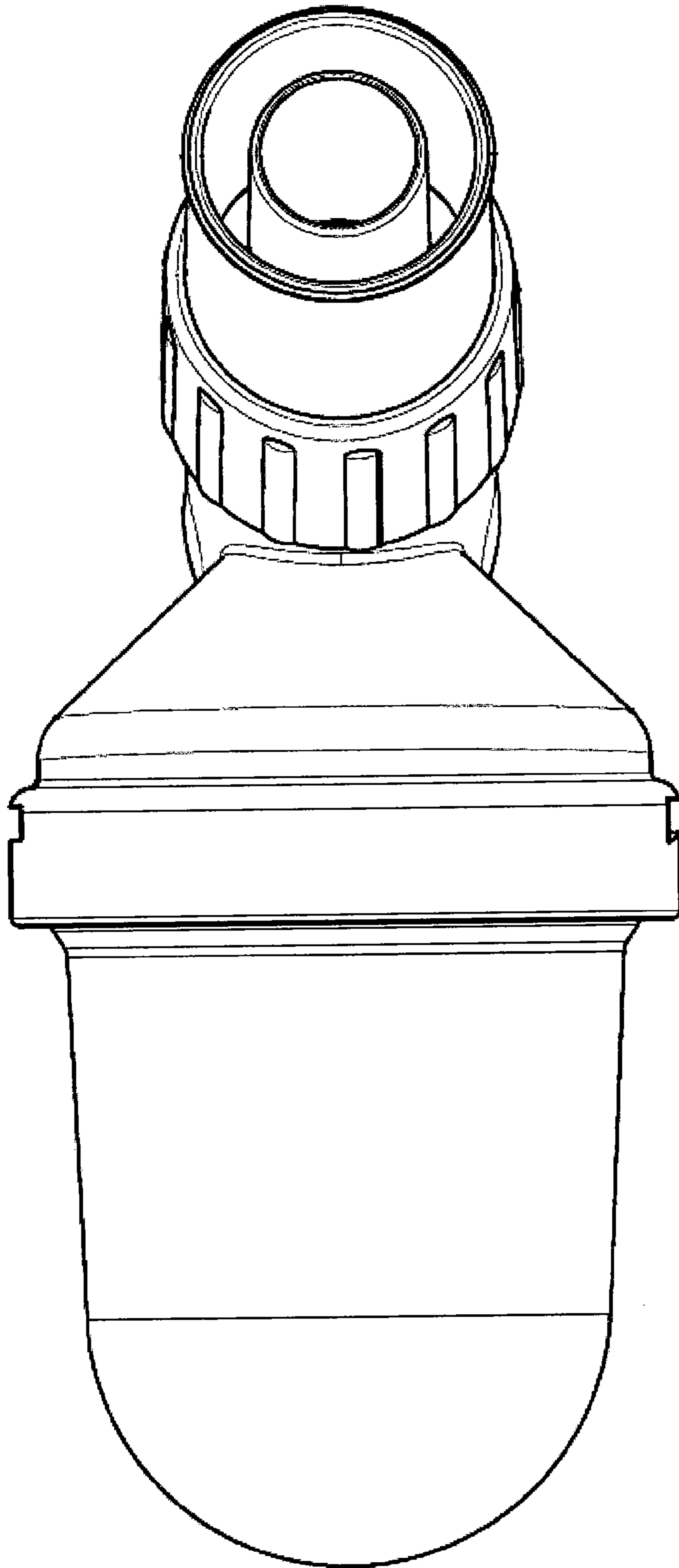


FIG. 5

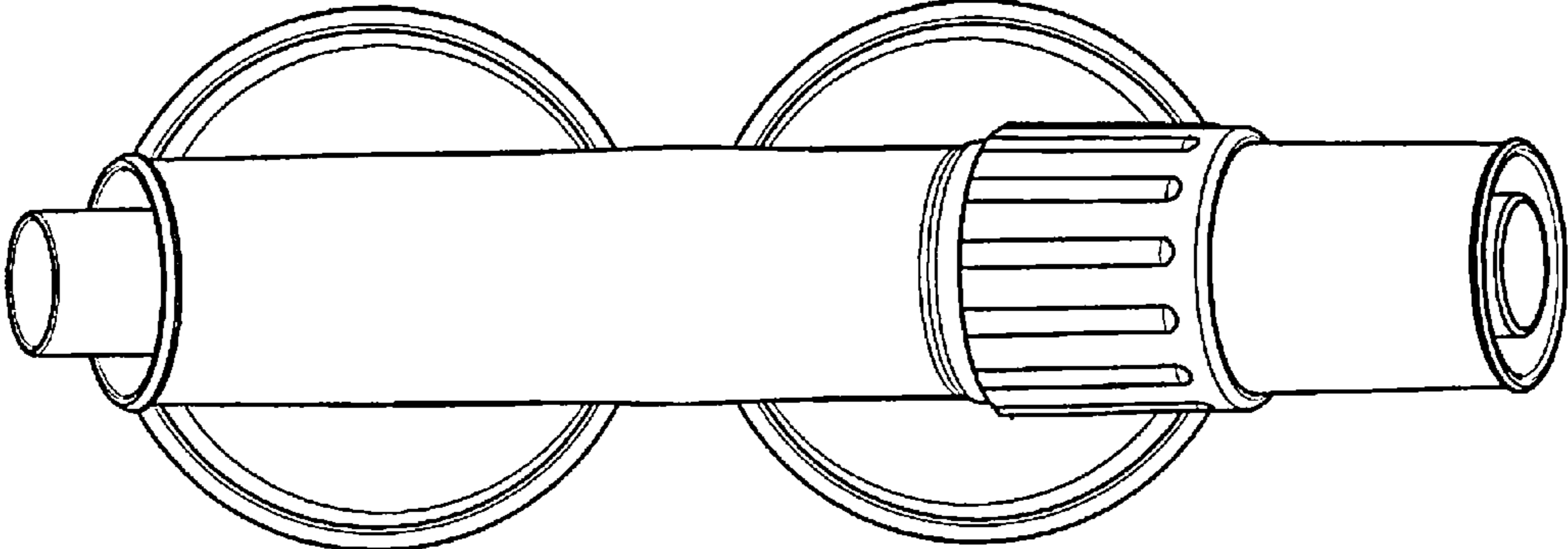


FIG. 6

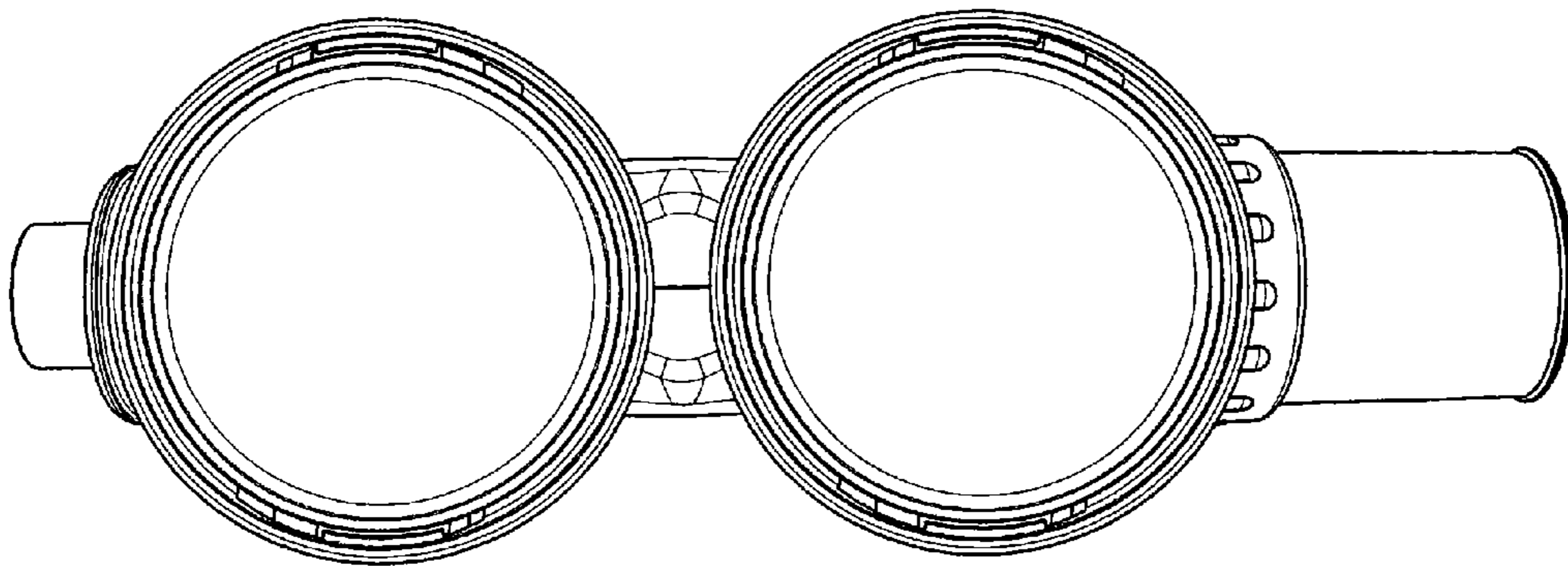


FIG. 7