



US00D727459S

(12) **United States Design Patent**
Honermann et al.

(10) **Patent No.:** **US D727,459 S**
(45) **Date of Patent:** **** Apr. 21, 2015**

- (54) **SPRAYER RINSE TANK**
- (71) Applicant: **CNH America LLC**, New Holland, PA (US)
- (72) Inventors: **John Paul Honermann**, Benson, MN (US); **Carl Hagele**, Chicago, IL (US)
- (73) Assignee: **CNH Industrial America LLC**, New Holland, PA (US)
- (**) Term: **14 Years**
- (21) Appl. No.: **29/472,416**
- (22) Filed: **Nov. 12, 2013**
- (51) **LOC (10) Cl.** **23-01**
- (52) **U.S. Cl.**
USPC **D23/202**
- (58) **Field of Classification Search**
USPC D23/202, 225; 220/587, 565, 582, 905;
239/302, 308, 332-3
See application file for complete search history.

- D647,170 S * 10/2011 Hayslip et al. D23/202
- D655,372 S * 3/2012 Kimball et al. D23/202
- D672,847 S * 12/2012 Woodling D23/202

* cited by examiner

Primary Examiner — Robin V Webster
(74) *Attorney, Agent, or Firm* — Rebecca L. Henkel

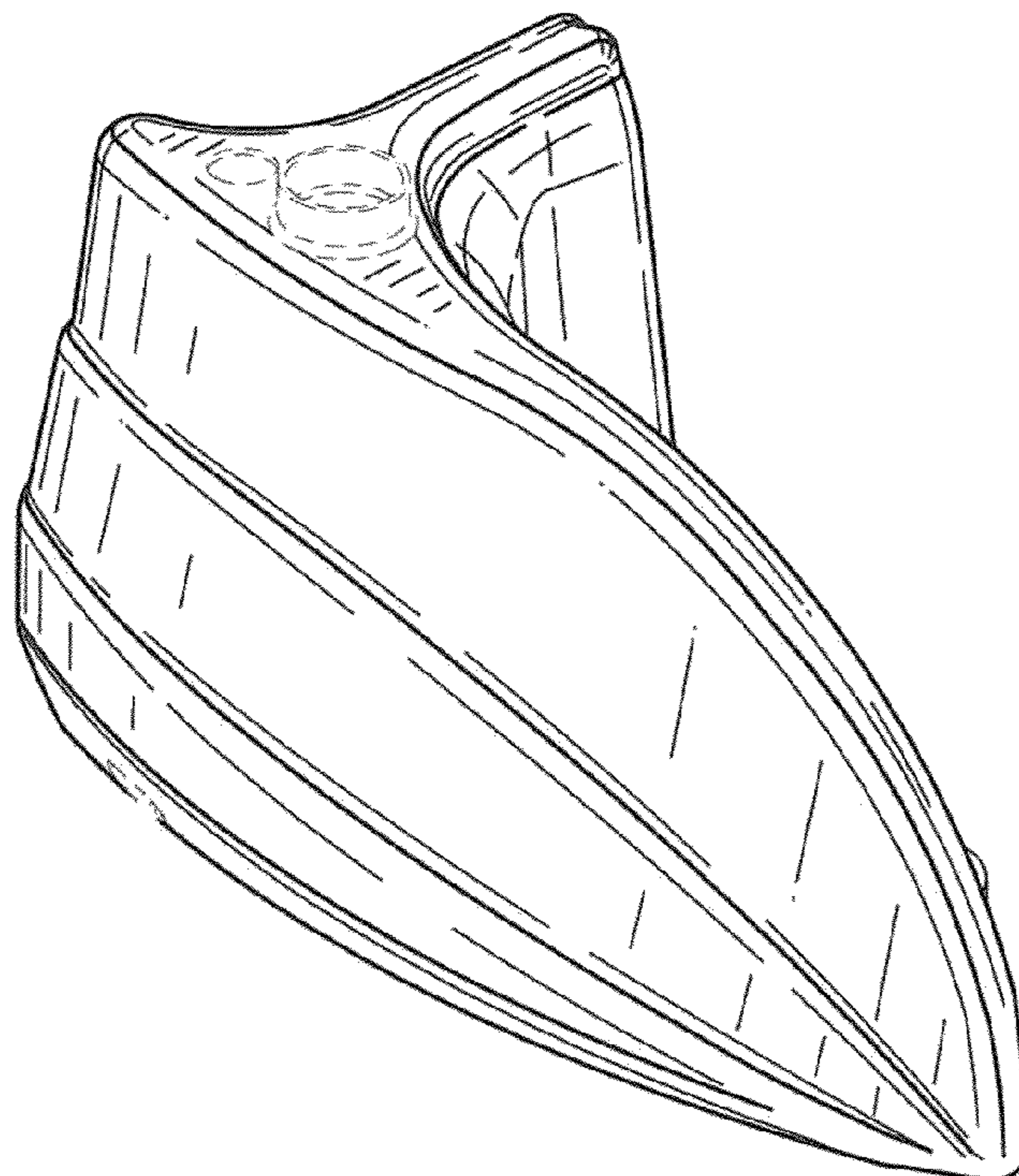
(57) **CLAIM**
The ornamental design for a sprayer rinse tank, as shown and described.

DESCRIPTION

FIG. 1 is an isometric view from above a sprayer rinse tank in accordance with the present invention;
 FIG. 2 is a side elevational view of the sprayer rinse tank of FIG. 1;
 FIG. 3 is another side elevational view of the sprayer rinse tank of FIG. 1;
 FIG. 4 is a front elevational view of the sprayer rinse tank of FIG. 1;
 FIG. 5 is a rear elevational view of the sprayer rinse tank of FIG. 1;
 FIG. 6 is a top plan view of the sprayer rinse tank of FIG. 1; and,
 FIG. 7 is a bottom plan view of the sprayer rinse tank of FIG. 1.
 The broken line showing is included for the purpose of illustrating and forms no part of the claimed design.

1 Claim, 4 Drawing Sheets

- (56) **References Cited**
U.S. PATENT DOCUMENTS
D216,309 S * 12/1969 Halaby et al. D23/202
D527,789 S * 9/2006 Thompson et al. D23/202
D640,345 S * 6/2011 Corsello et al. D23/202



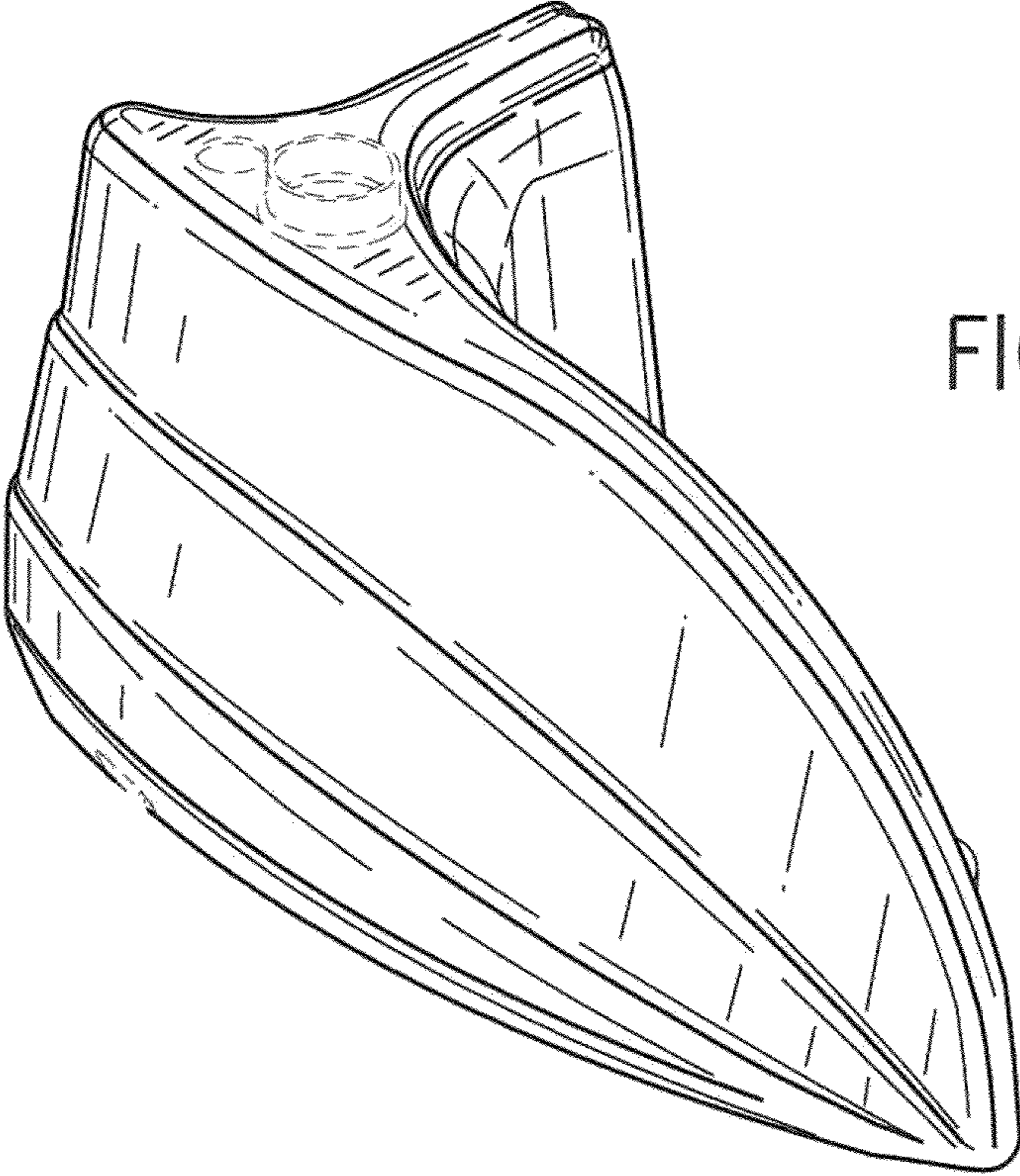


FIG. 1

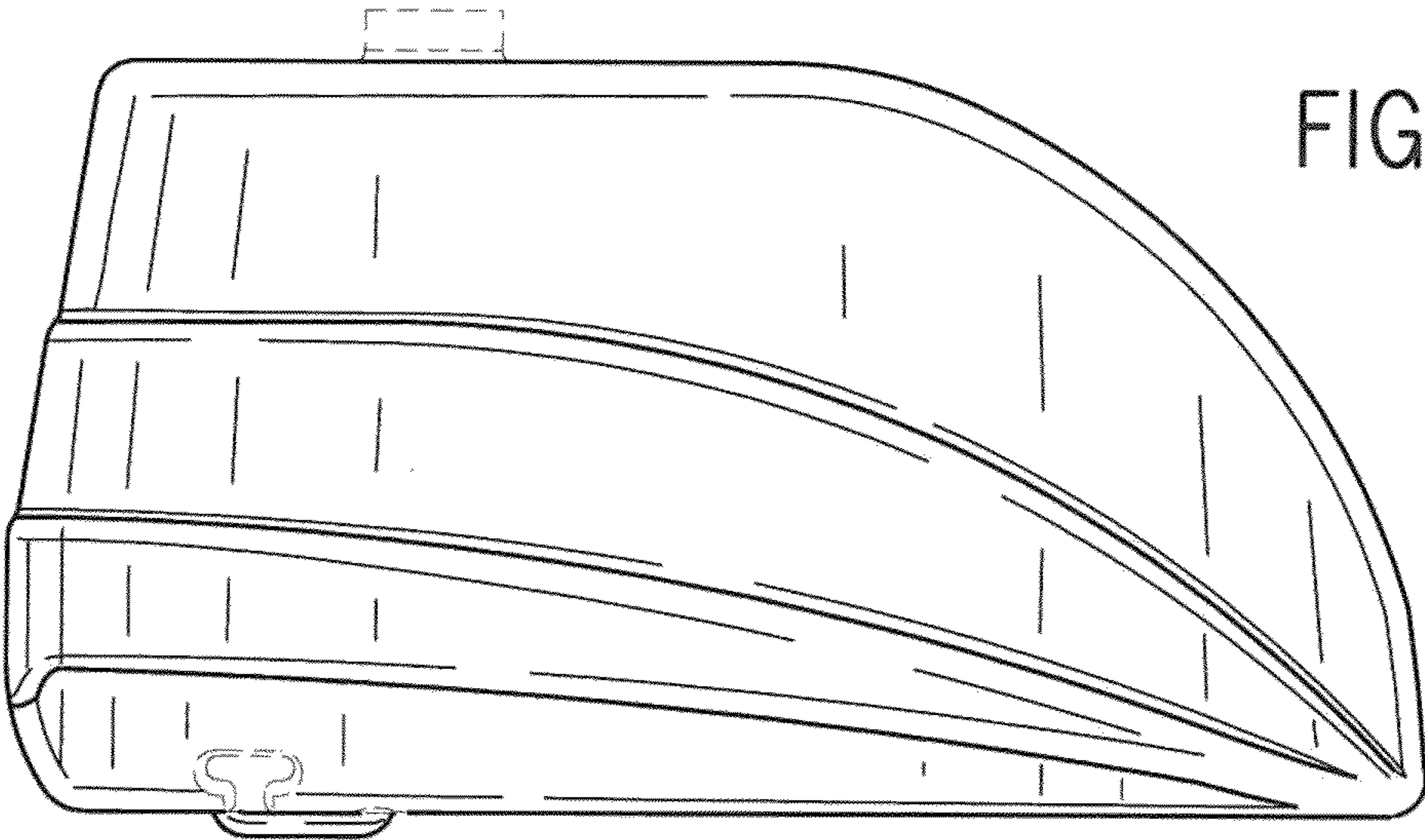


FIG. 2

FIG. 3

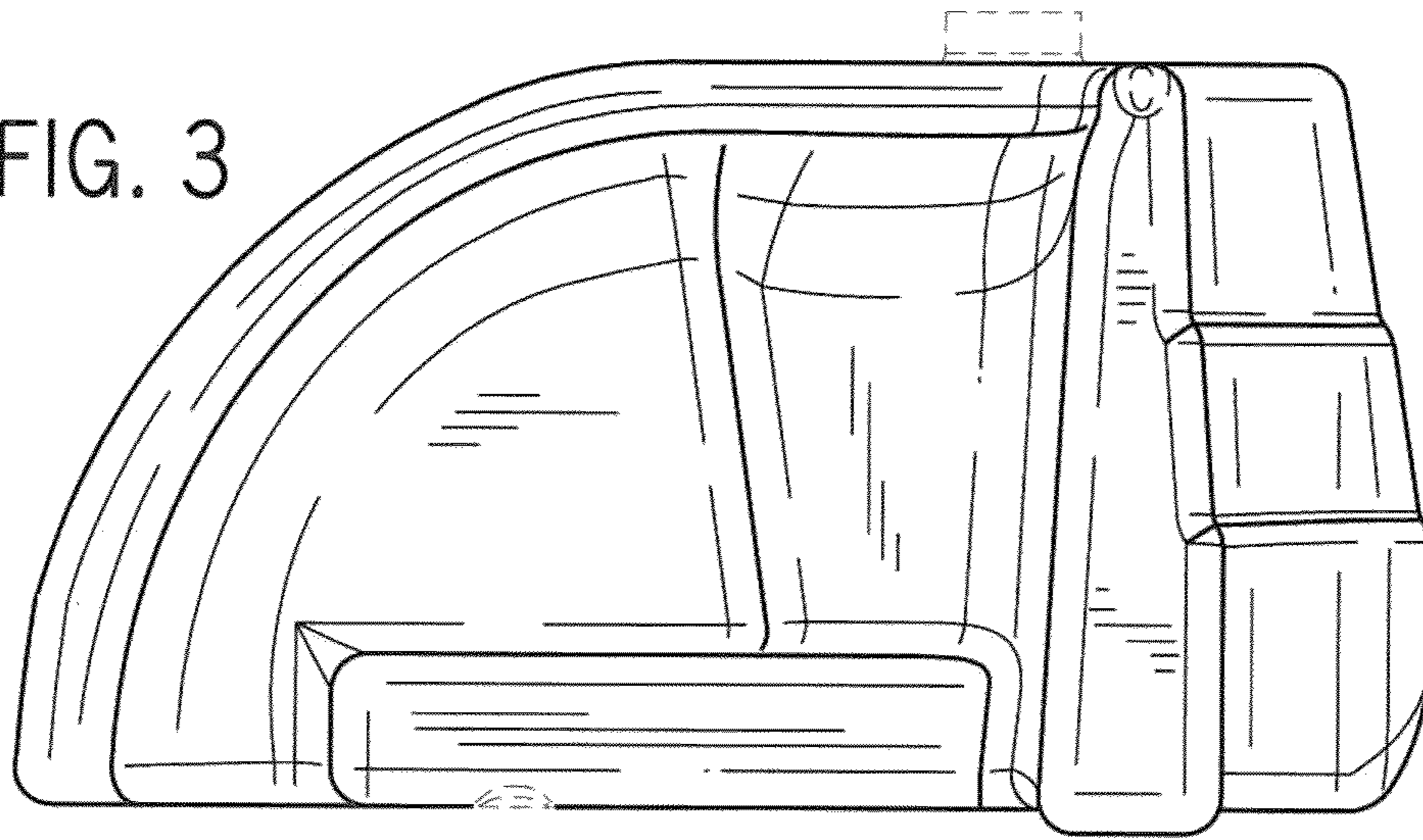


FIG. 4

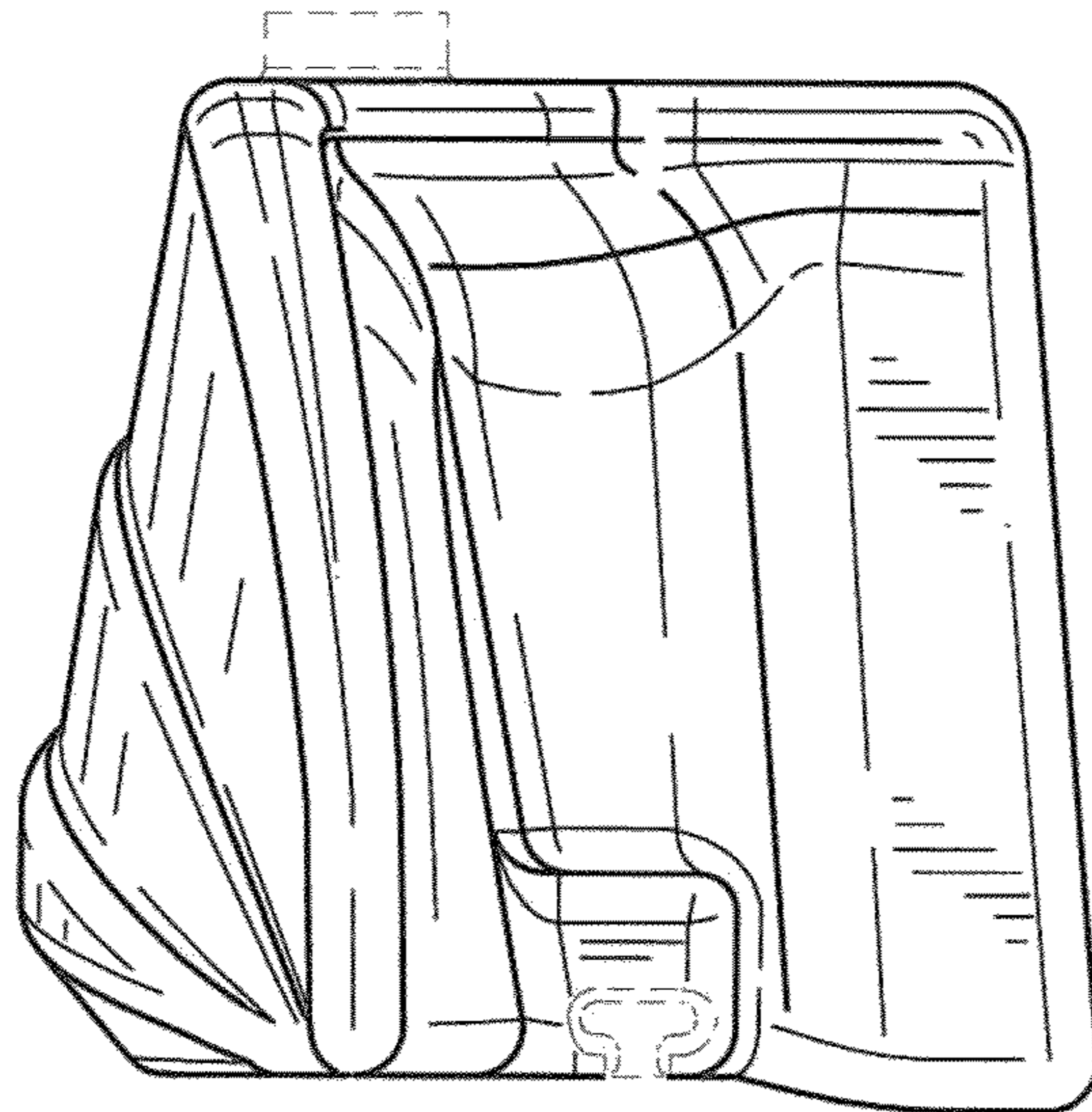


FIG. 5

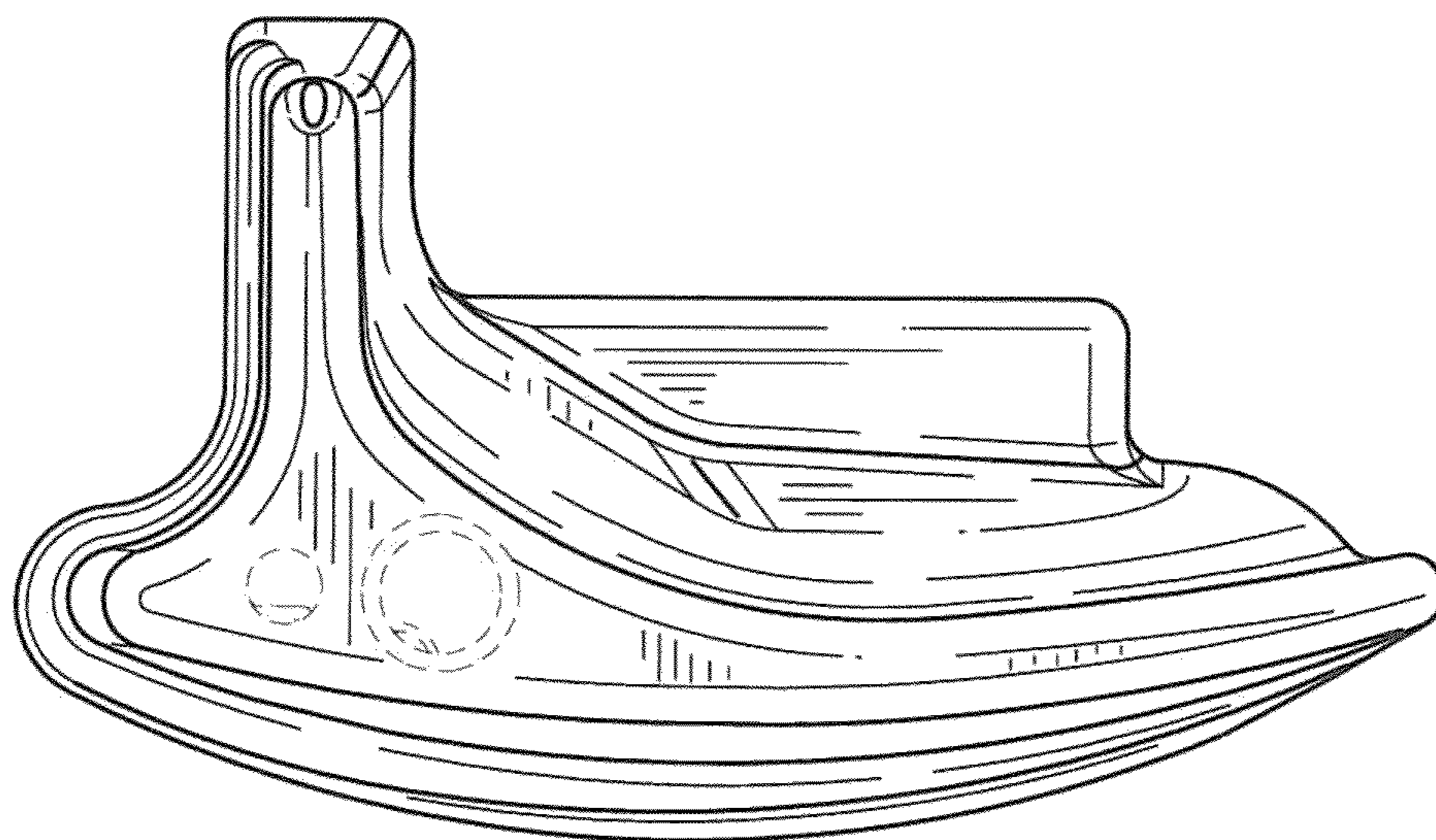
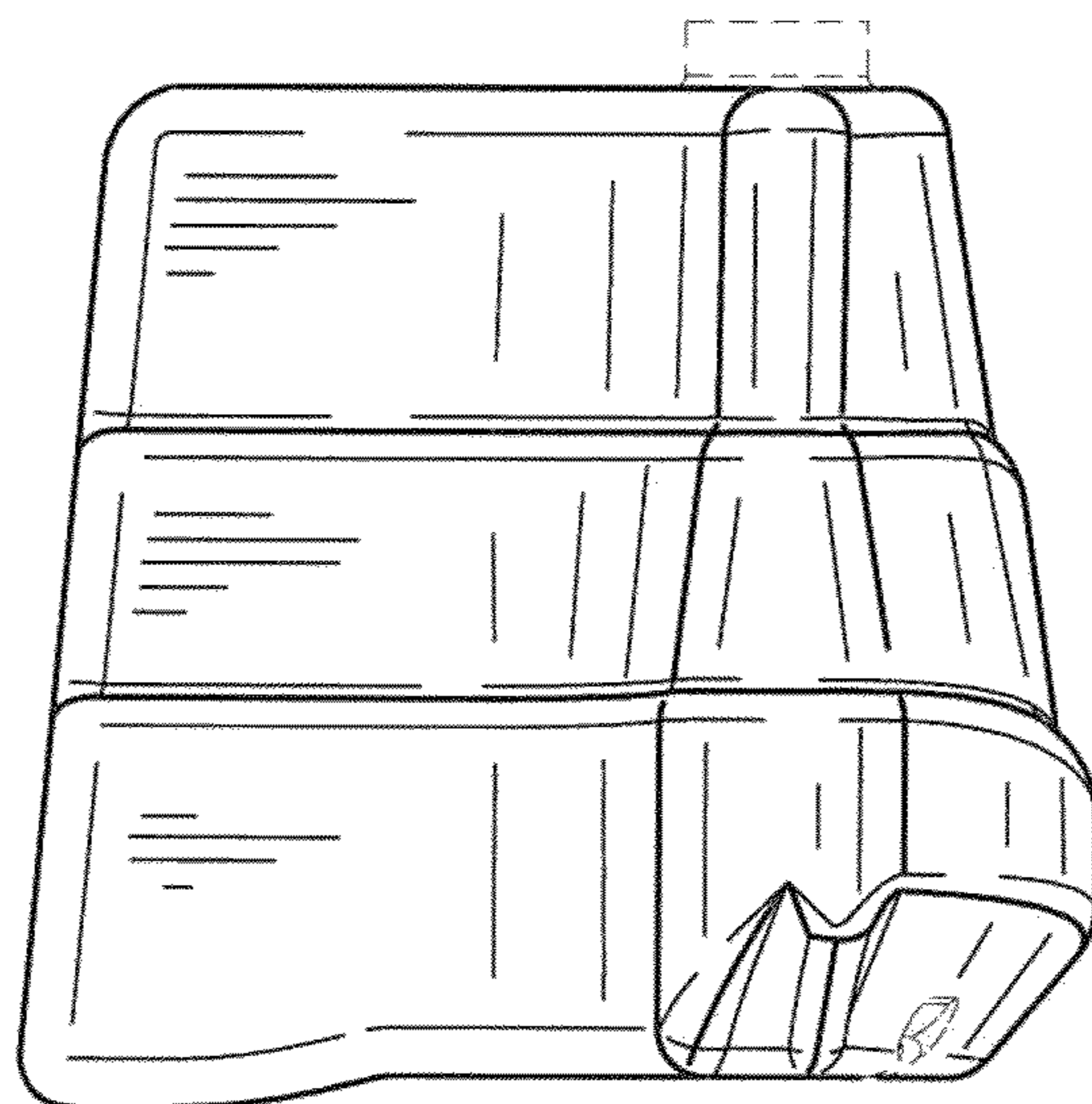


FIG. 6

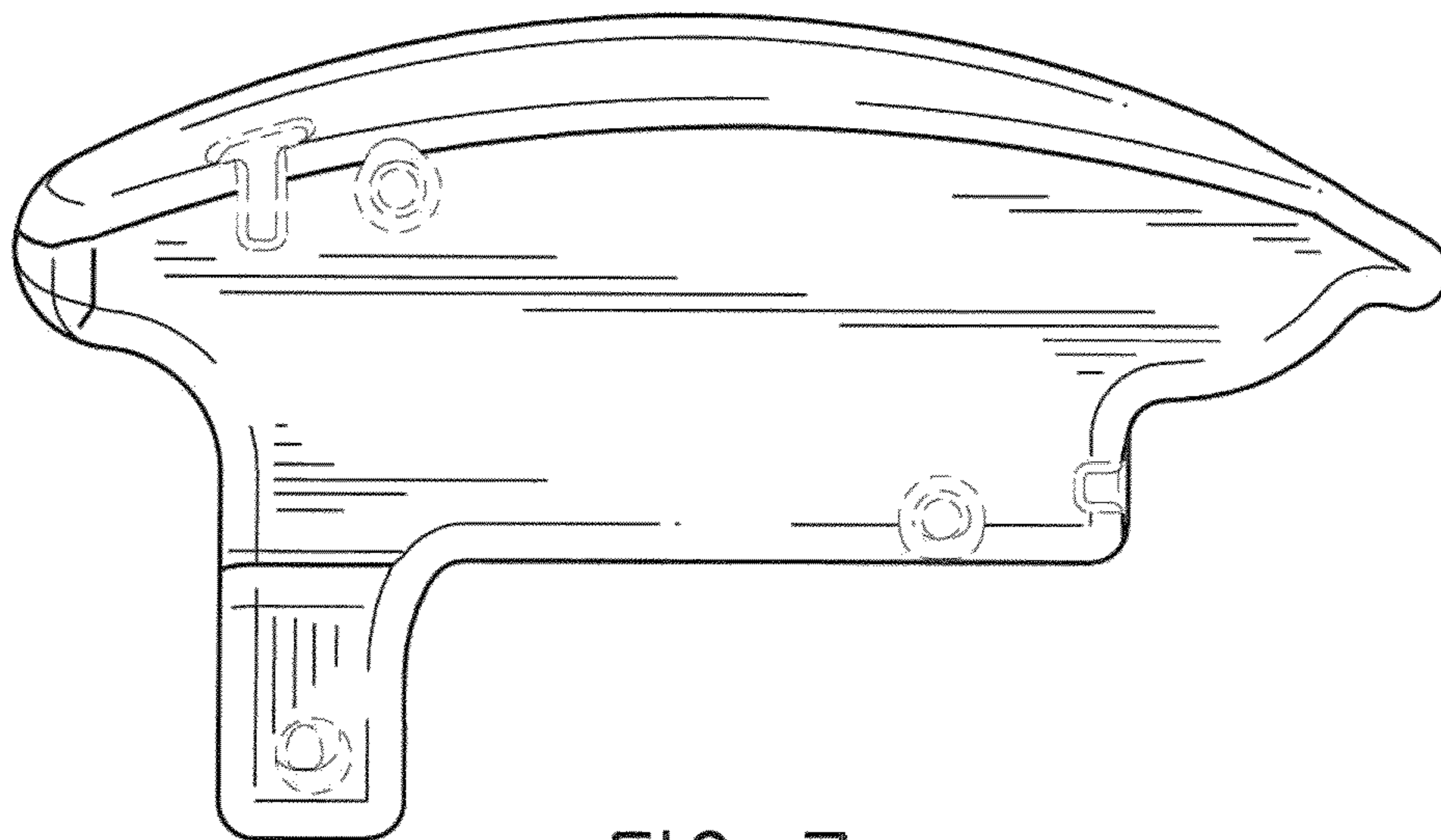


FIG. 7